



US00D633539S

(12) **United States Design Patent**
Kung

(10) **Patent No.:** **US D633,539 S**

(45) **Date of Patent:** **** Mar. 1, 2011**

(54) **MICROSCOPE**

(75) Inventor: **Su-Min Kung**, Taipei County (TW)

(73) Assignee: **Hunter Optical Co., Ltd**, Xizhi, Taipei County (TW)

(**) Term: **14 Years**

(21) Appl. No.: **29/357,342**

(22) Filed: **Mar. 11, 2010**

(51) **LOC (9) Cl.** **16-06**

(52) **U.S. Cl.** **D16/131**

(58) **Field of Classification Search** D16/130,
D16/131; 359/382, 383, 384, 385, 368, 419,
359/430, 802, 804, 810, 811, 816, 823
See application file for complete search history.

(56) **References Cited**

U.S. PATENT DOCUMENTS

1,448,592	A *	3/1923	Heine	359/379
1,996,141	A *	4/1935	Broadhurst et al.	359/397
2,101,928	A *	12/1937	Bausch	359/383
2,214,367	A *	9/1940	Gallasch	359/382
2,328,211	A *	8/1943	Harper et al.	359/382
D148,123	S *	12/1947	Armbruster et al.	D16/131
D151,206	S *	10/1948	Armbruster et al.	D16/131
2,544,371	A *	3/1951	Weiser	359/383
2,662,444	A *	12/1953	Gradisar	359/383
3,260,157	A *	7/1966	Boughton	359/379
3,360,641	A *	12/1967	Korte	359/385
D215,889	S *	11/1969	Suzuki	D16/131
D294,037	S *	2/1988	Yamada	D16/131

D301,587	S *	6/1989	Brock	D16/131
D355,430	S *	2/1995	Hofmann-Igl	D16/131
D417,880	S *	12/1999	Wani et al.	D16/131
D436,972	S *	1/2001	Tai et al.	D16/131
D439,258	S *	3/2001	Kawahata	D16/131
D457,178	S *	5/2002	Knoblich et al.	D16/131
D457,901	S *	5/2002	Lo	D16/131
D459,744	S *	7/2002	Apotheloz	D16/131
D525,636	S *	7/2006	Apotheloz	D16/131
D546,355	S *	7/2007	Apotheloz	D16/131
D546,356	S *	7/2007	Apotheloz	D16/131
D607,030	S *	12/2009	Hoelbl	D16/131
D607,031	S *	12/2009	Hoelbl	D16/131

* cited by examiner

Primary Examiner—Paula Greene

(57) **CLAIM**

The ornamental design for a microscope, as shown and described.

DESCRIPTION

FIG. 1 is a perspective view of a microscope showing my new design;

FIG. 2 is a front elevational view thereof;

FIG. 3 is a rear elevational view thereof;

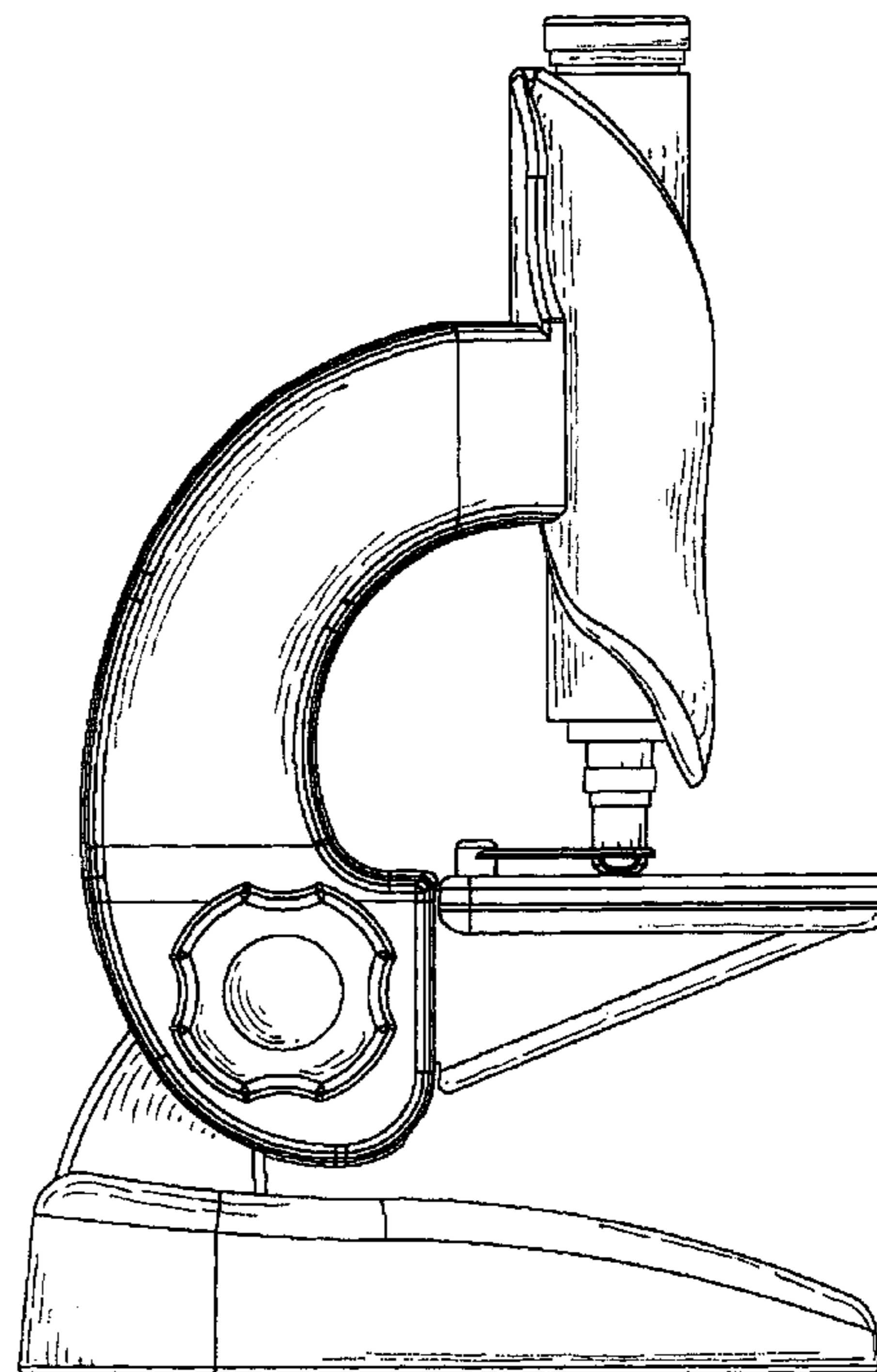
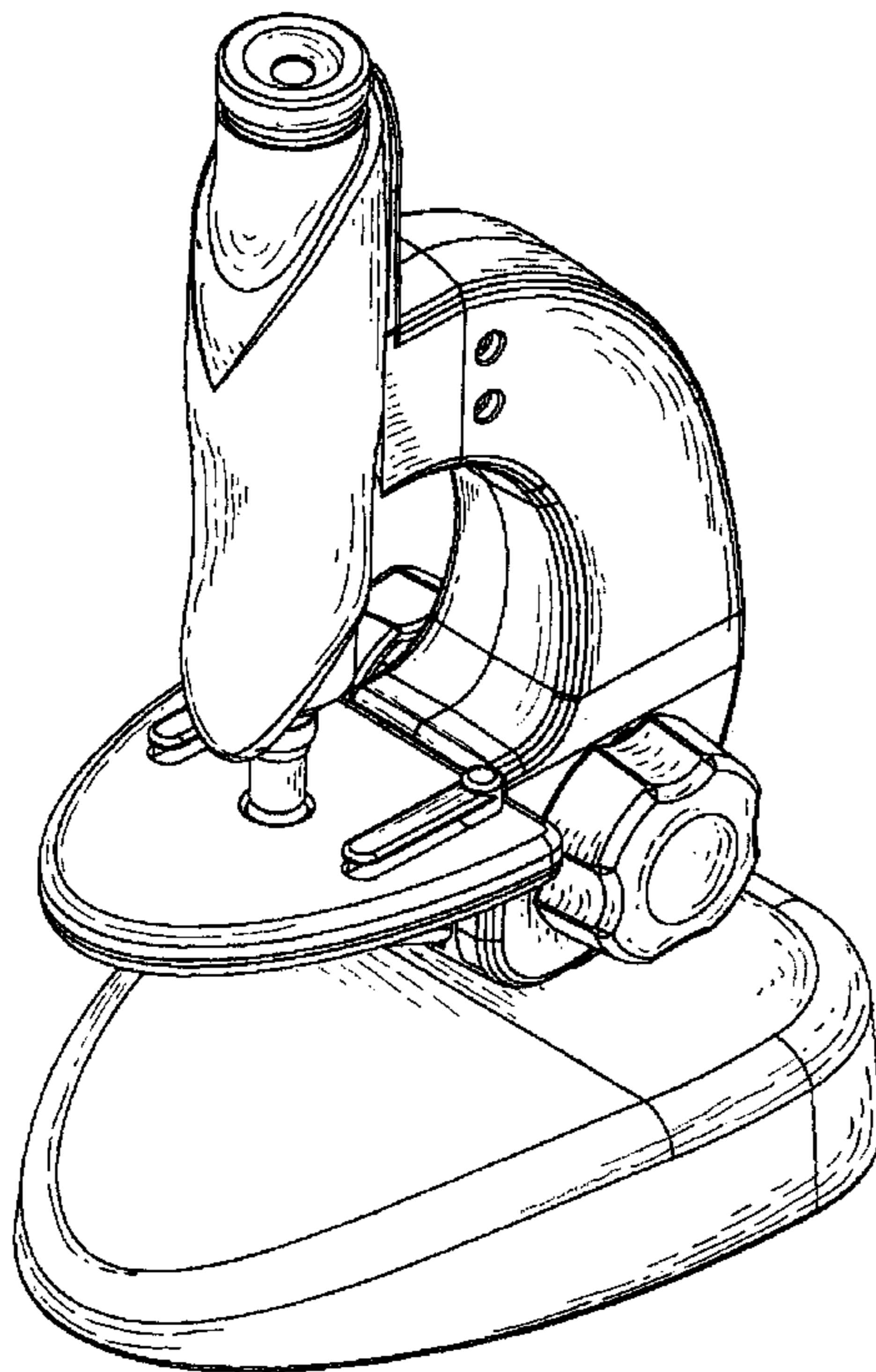
FIG. 4 is a left side view thereof;

FIG. 5 is a right side view thereof;

FIG. 6 is a top plan view thereof; and,

FIG. 7 is a bottom plan view thereof.

1 Claim, 7 Drawing Sheets



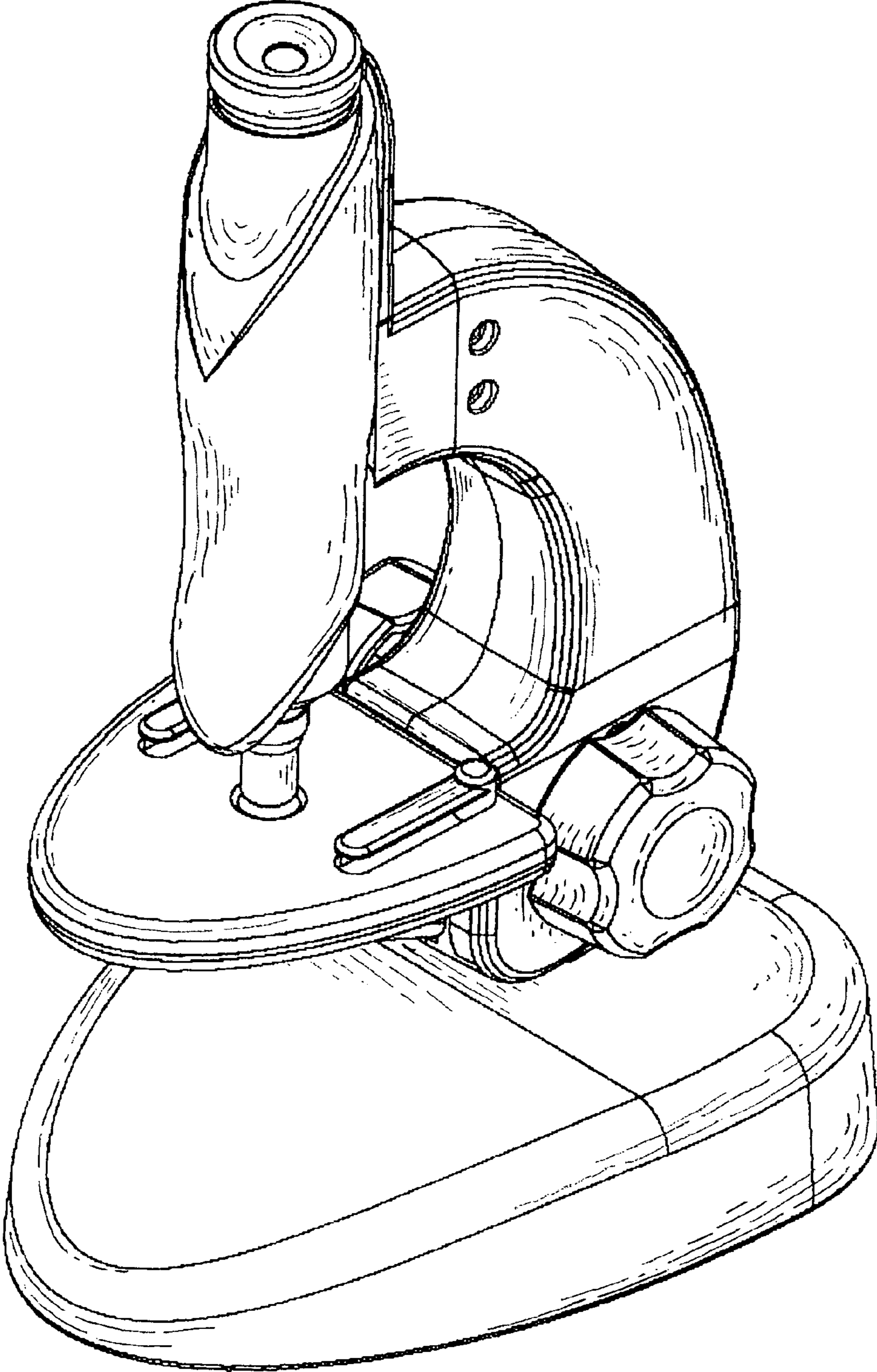


Fig. 1

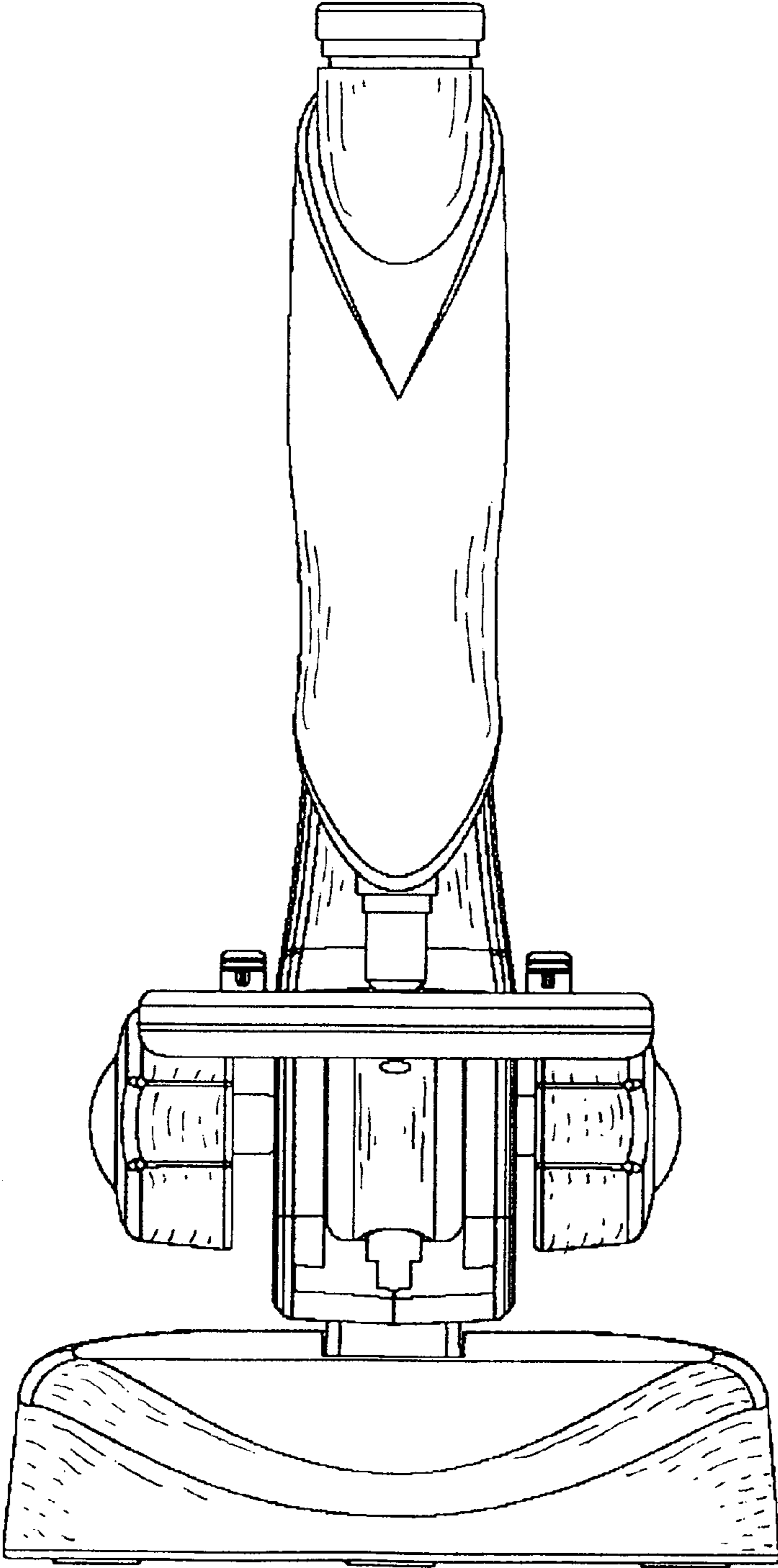


Fig. 2

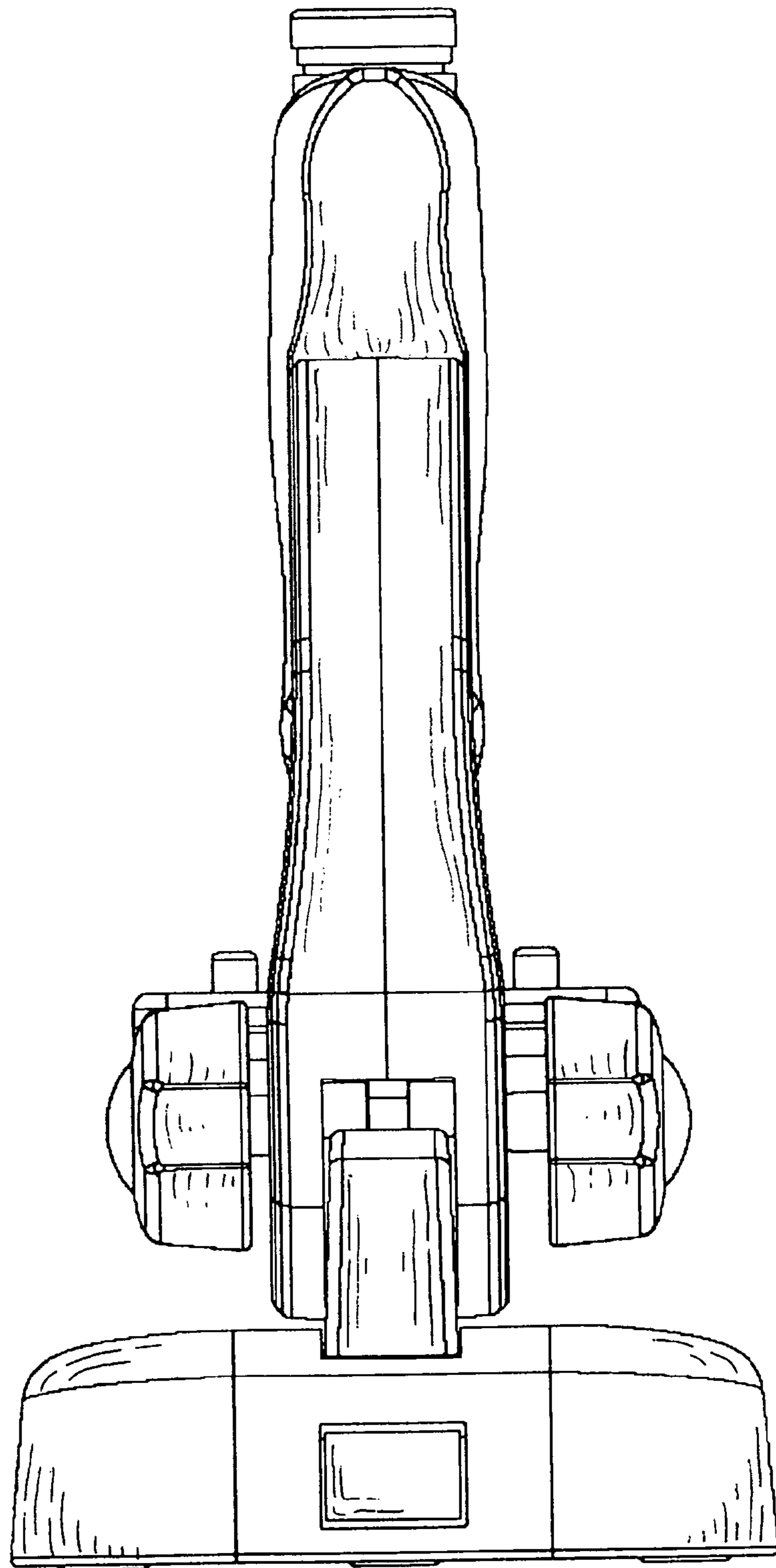


Fig. 3

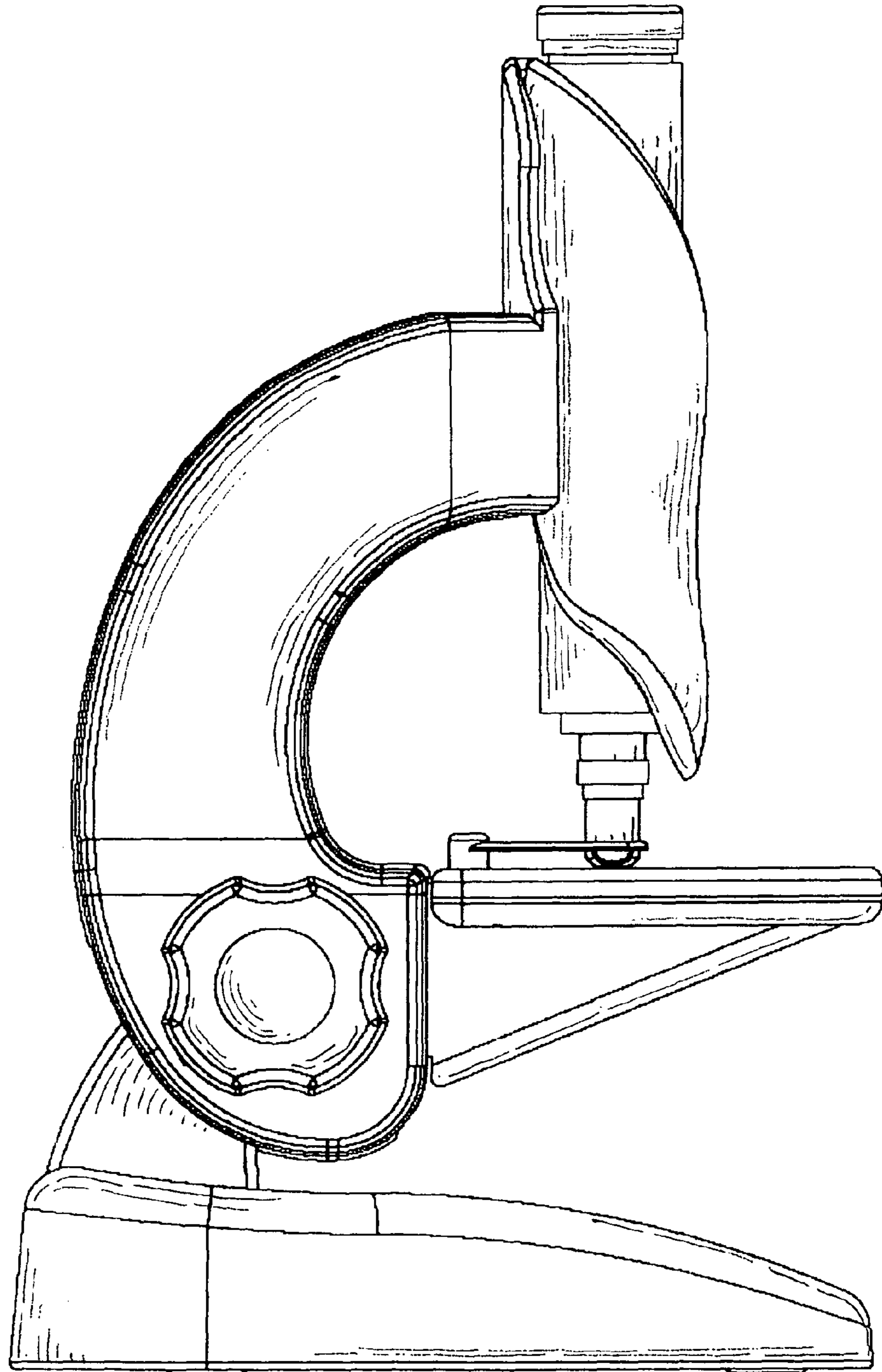


Fig. 4

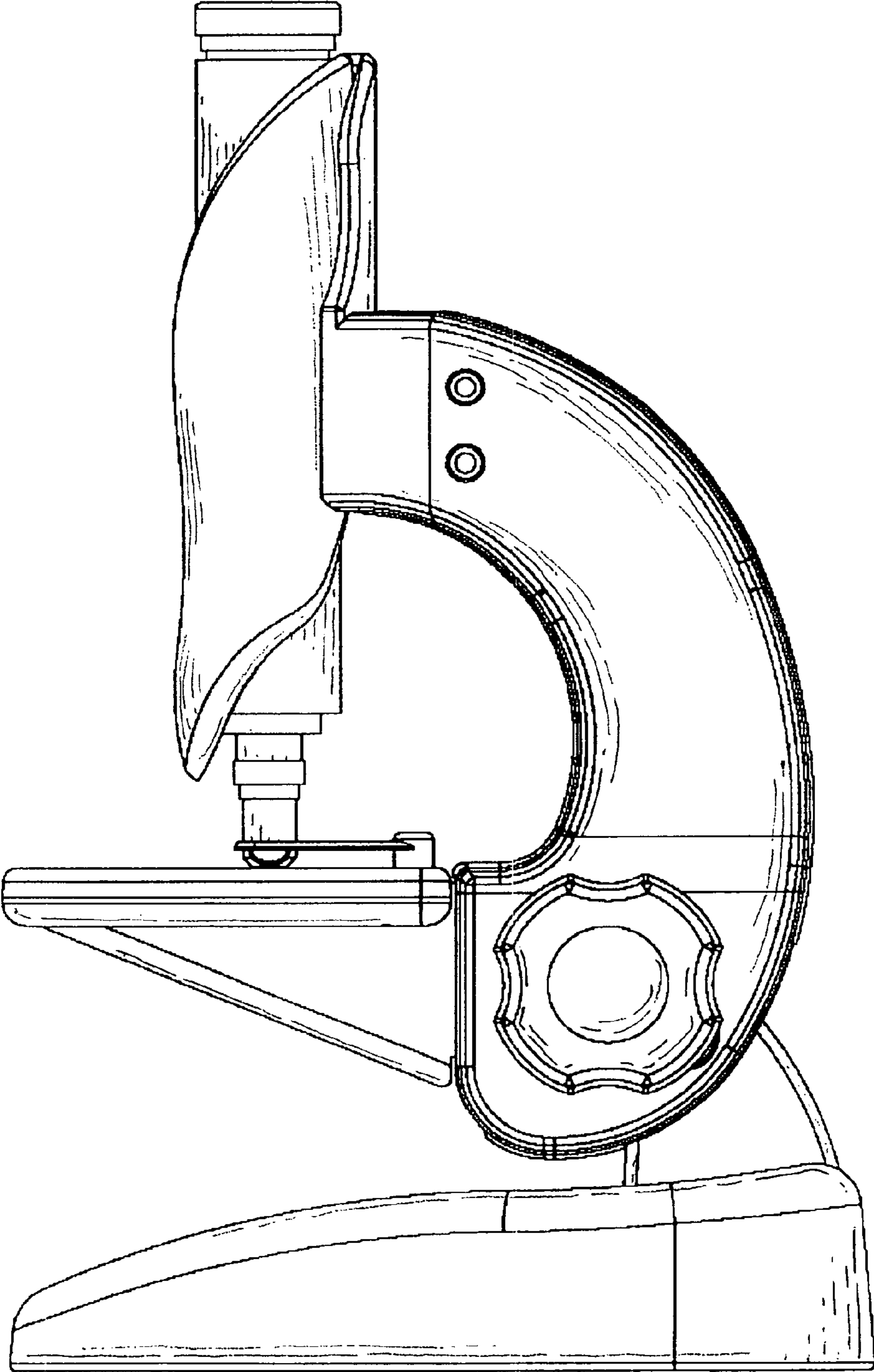


Fig. 5

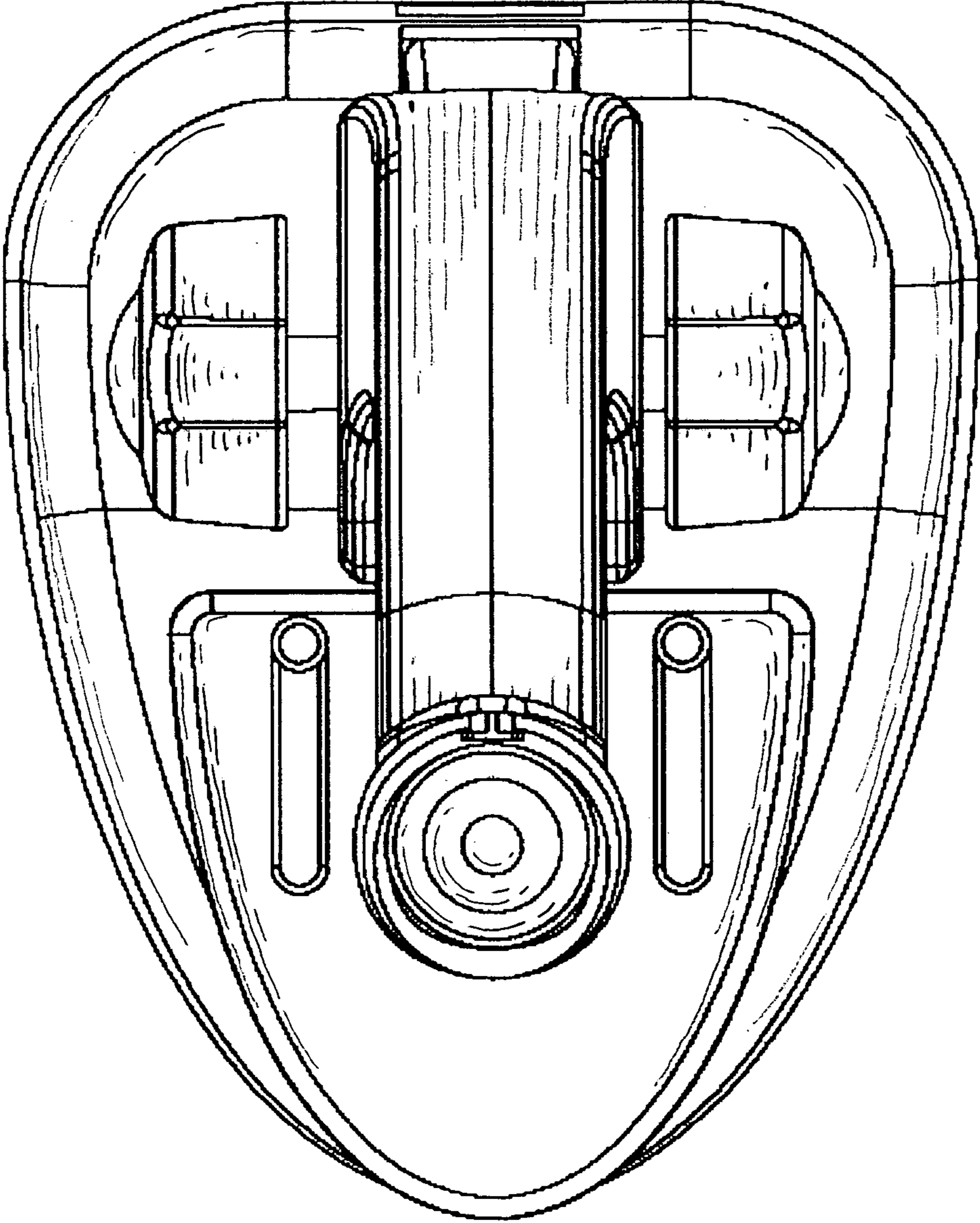


Fig. 6

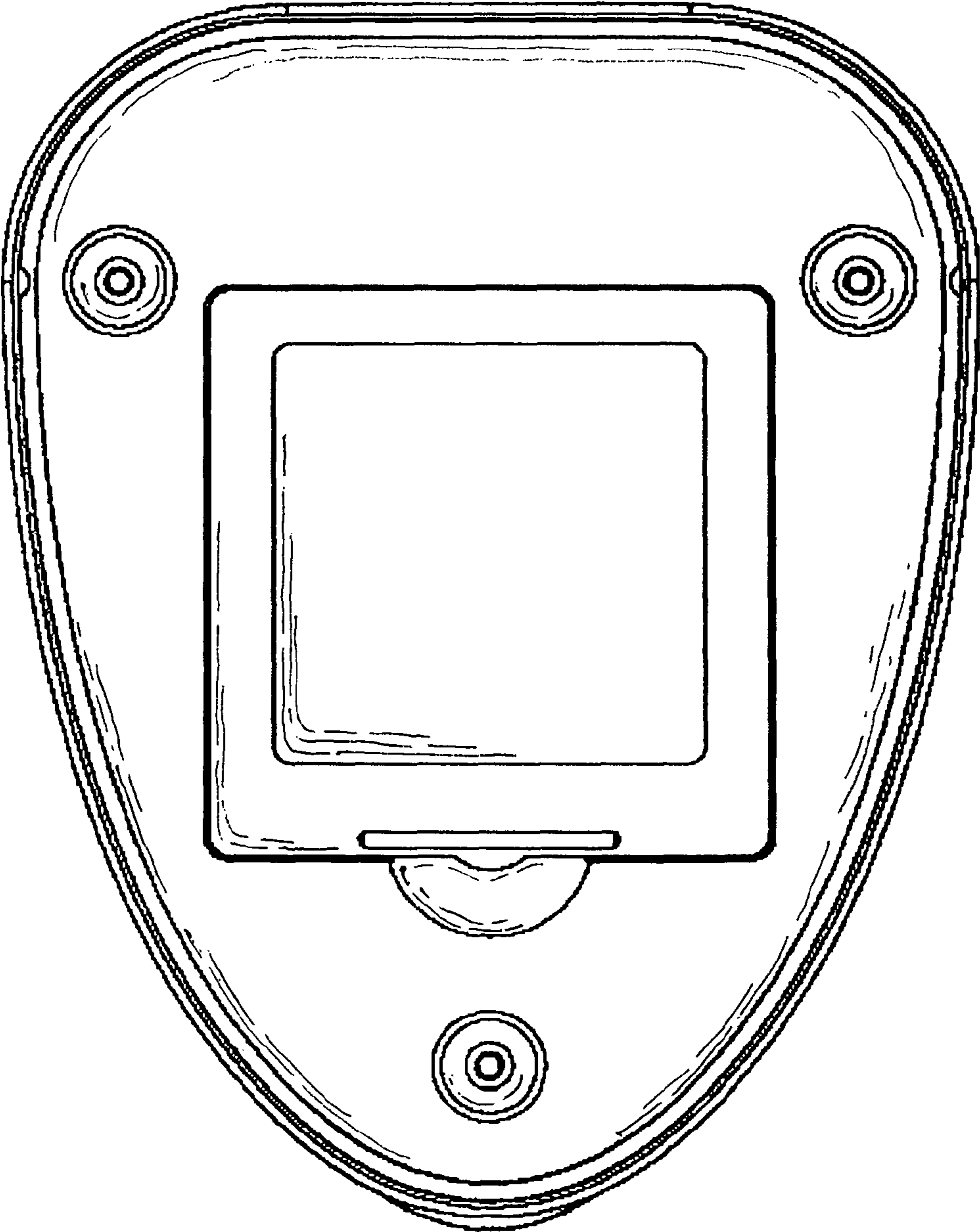


Fig. 7