



US00D633537S

(12) **United States Design Patent**  
**Oonuma et al.**

(10) **Patent No.:** **US D633,537 S**  
(45) **Date of Patent:** **\*\* Mar. 1, 2011**

(54) **ELECTRON MICROSCOPE**

(75) Inventors: **Mitsuru Oonuma**, Tokyo (JP); **Akira Omachi**, Komae (JP); **Masahiko Ajima**, Hitachinaka (JP); **Tomohisa Ohtaki**, Hitachinaka (JP)

(73) Assignee: **Hitachi High-Technologies Corporation**, Tokyo (JP)

(\*\*) Term: **14 Years**

(21) Appl. No.: **29/356,742**

(22) Filed: **Mar. 2, 2010**

(30) **Foreign Application Priority Data**

Sep. 30, 2009 (JP) ..... 2009-022639

(51) **LOC (9) Cl.** ..... **16-06**

(52) **U.S. Cl.** ..... **D16/131**

(58) **Field of Classification Search** ..... D16/130,  
D16/131, 221, 234; D24/186, 232, 216,  
D24/233; D10/81; D13/184; 250/311; 359/383,  
359/384, 388, 389, 390, 368, 370, 371, 372,  
359/363

See application file for complete search history.

(56) **References Cited**

**U.S. PATENT DOCUMENTS**

- D141,832 S \* 7/1945 Holley ..... D16/131
- D170,065 S \* 7/1953 Petterson ..... D24/232
- D172,780 S \* 8/1954 Briskin et al. .... D16/234
- D182,698 S \* 4/1958 Wells ..... D13/184
- 3,551,019 A \* 12/1970 Michel ..... 356/326
- D225,580 S \* 12/1972 Reinecke ..... D24/186
- D229,515 S \* 12/1973 Salsgiver ..... D10/46
- D299,861 S \* 2/1989 Hunsdale et al. .... D24/186
- 4,812,029 A \* 3/1989 Onanhian ..... 359/383
- D332,616 S \* 1/1993 Hashimoto et al. .... D16/131
- D377,455 S \* 1/1997 Burchard et al. .... D10/81

- D421,653 S \* 3/2000 Purcell ..... D24/231
- D430,304 S \* 8/2000 Oonuma et al. .... D24/233
- D467,349 S \* 12/2002 Niedbala et al. .... D24/232
- D474,279 S \* 5/2003 Mayer et al. .... D24/232
- D491,272 S \* 6/2004 Alden et al. .... D24/216
- D527,464 S \* 8/2006 Ina et al. .... D24/232
- D535,403 S \* 1/2007 Isozaki et al. .... D24/232
- D571,385 S \* 6/2008 Onuma et al. .... D16/131
- D571,480 S \* 6/2008 Beck et al. .... D24/232
- D574,280 S \* 8/2008 Wakamatsu et al. .... D10/81
- D588,276 S \* 3/2009 Isozaki et al. .... D24/232
- D591,864 S \* 5/2009 Schmidt ..... D24/216
- D603,972 S \* 11/2009 Petersen et al. .... D24/216
- D607,569 S \* 1/2010 Yukikado et al. .... D24/186
- D623,211 S \* 9/2010 Oonuma et al. .... D16/131
- D625,749 S \* 10/2010 Oonuma et al. .... D16/131
- D626,579 S \* 11/2010 Oonuma et al. .... D16/131

\* cited by examiner

*Primary Examiner*—Paula Greene

(74) *Attorney, Agent, or Firm*—Antonelli, Terry, Stout & Kraus, LLP.

(57) **CLAIM**

The ornamental design for an electron microscope, as shown and described.

**DESCRIPTION**

FIG. 1 is a front, top and right side perspective view of an electron microscope showing our new design;

FIG. 2 is a front elevational view thereof;

FIG. 3 is a rear elevational view thereof;

FIG. 4 is a left side elevational view thereof;

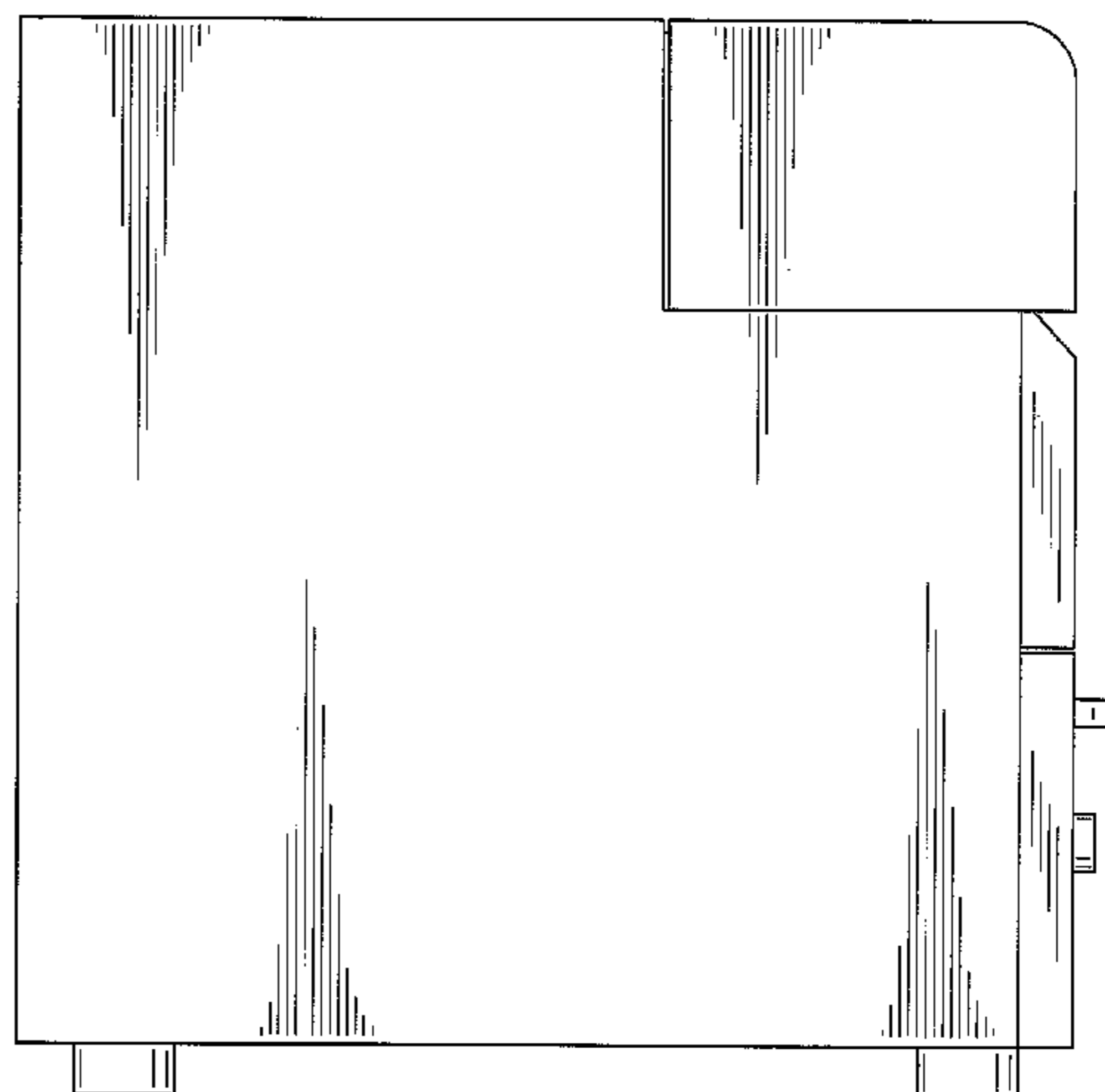
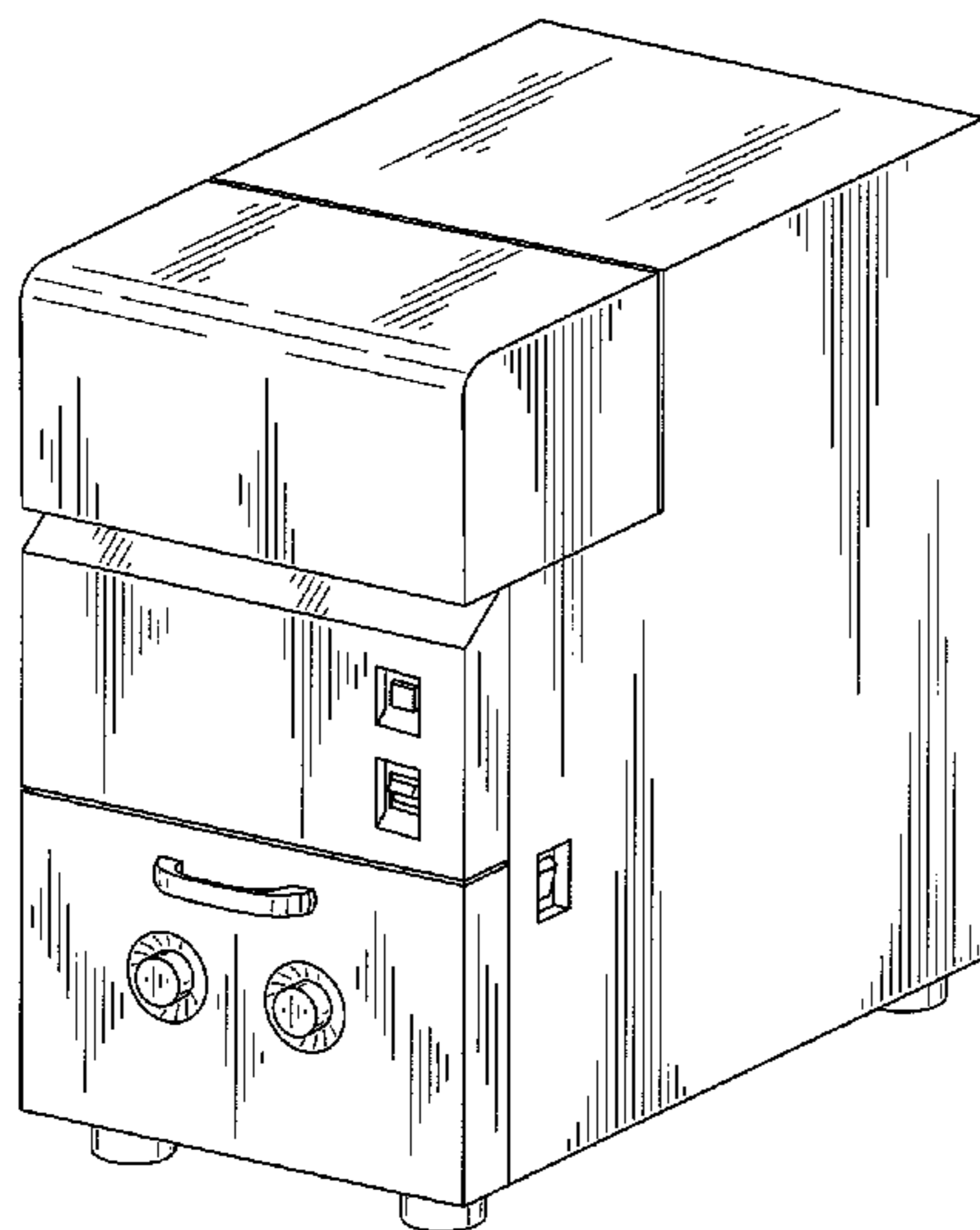
FIG. 5 is a right side elevational view thereof;

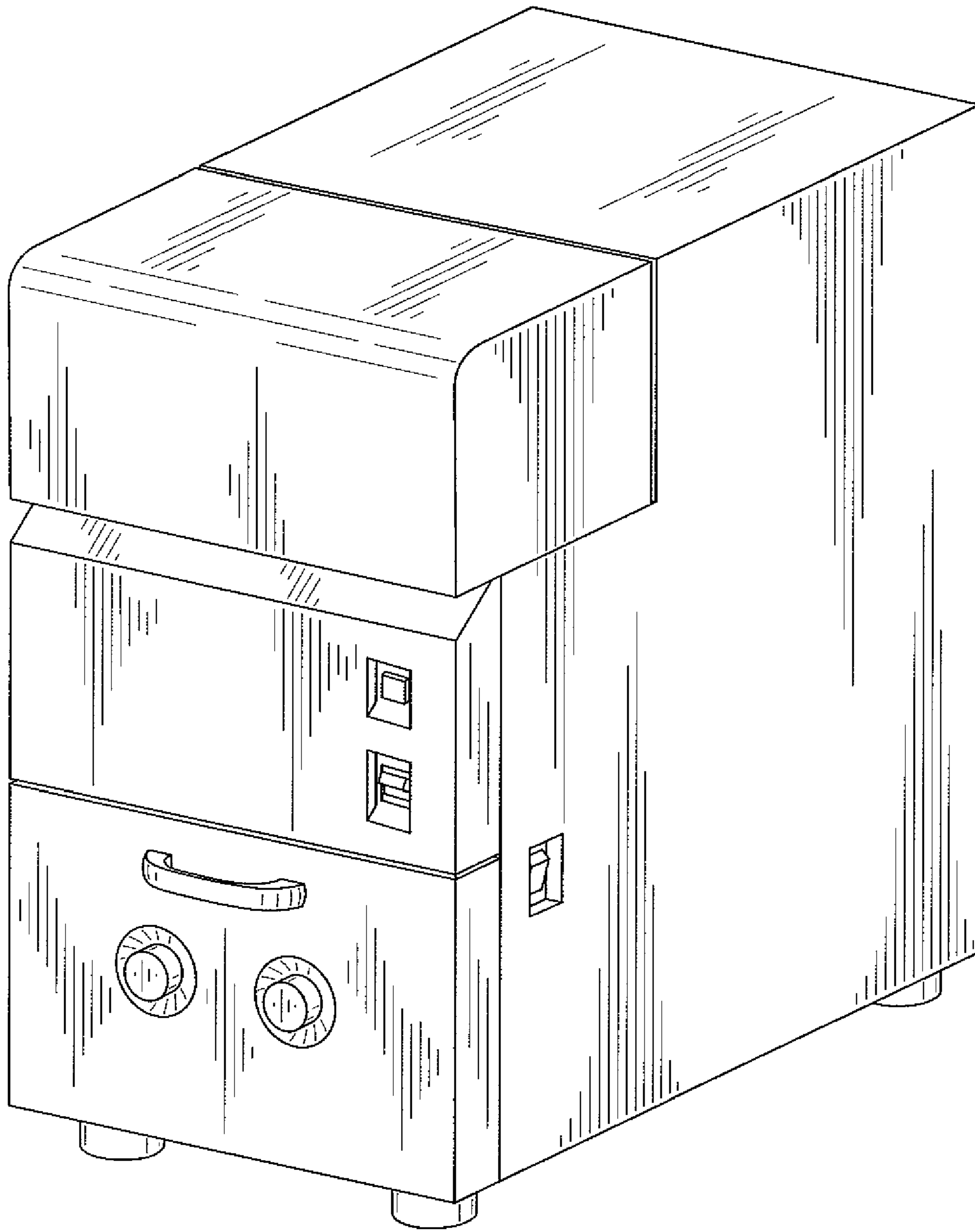
FIG. 6 is a top plan view thereof; and,

FIG. 7 is a bottom plan view thereof.

The broken lines form no part of the claimed design.

**1 Claim, 7 Drawing Sheets**





*FIG. 1*

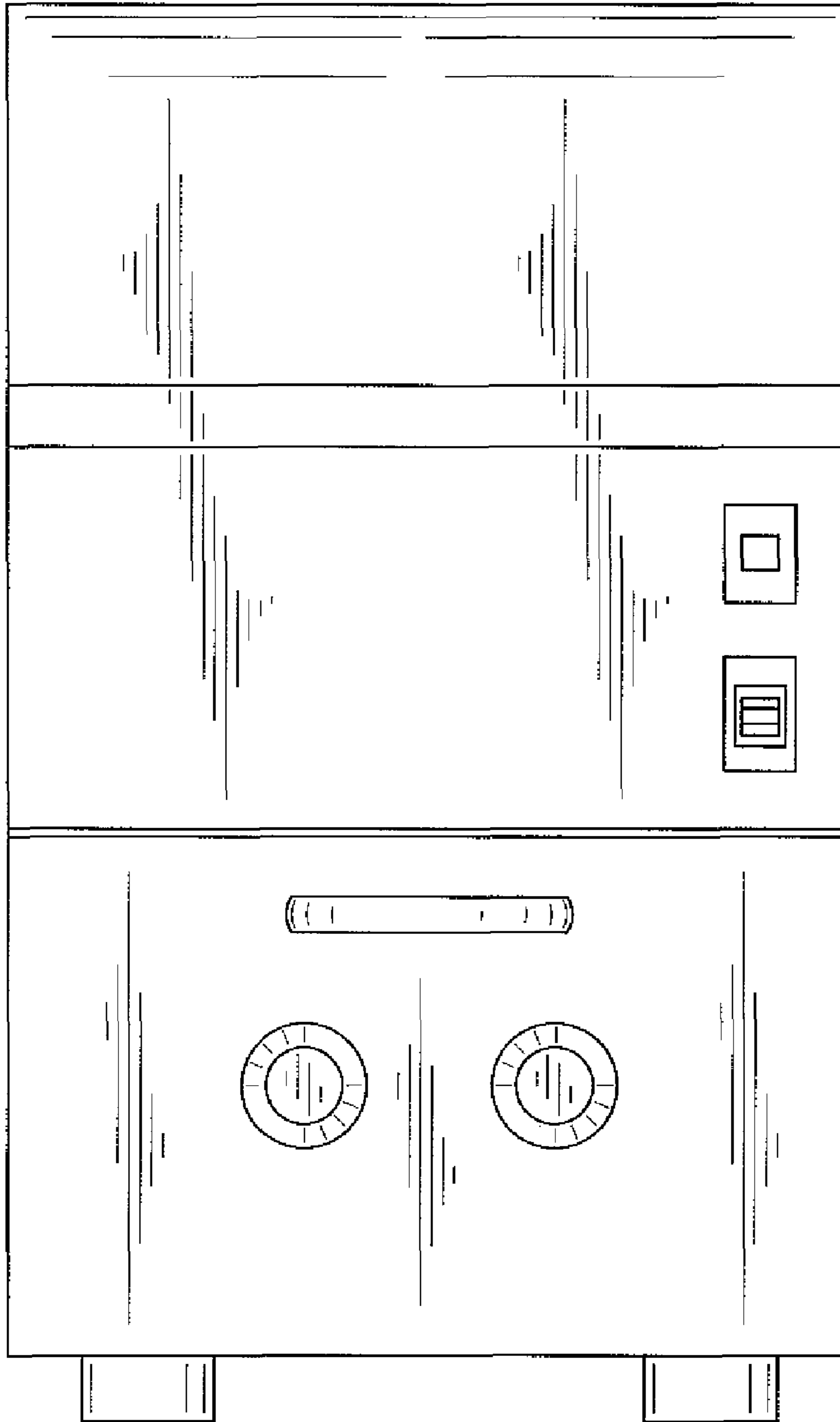
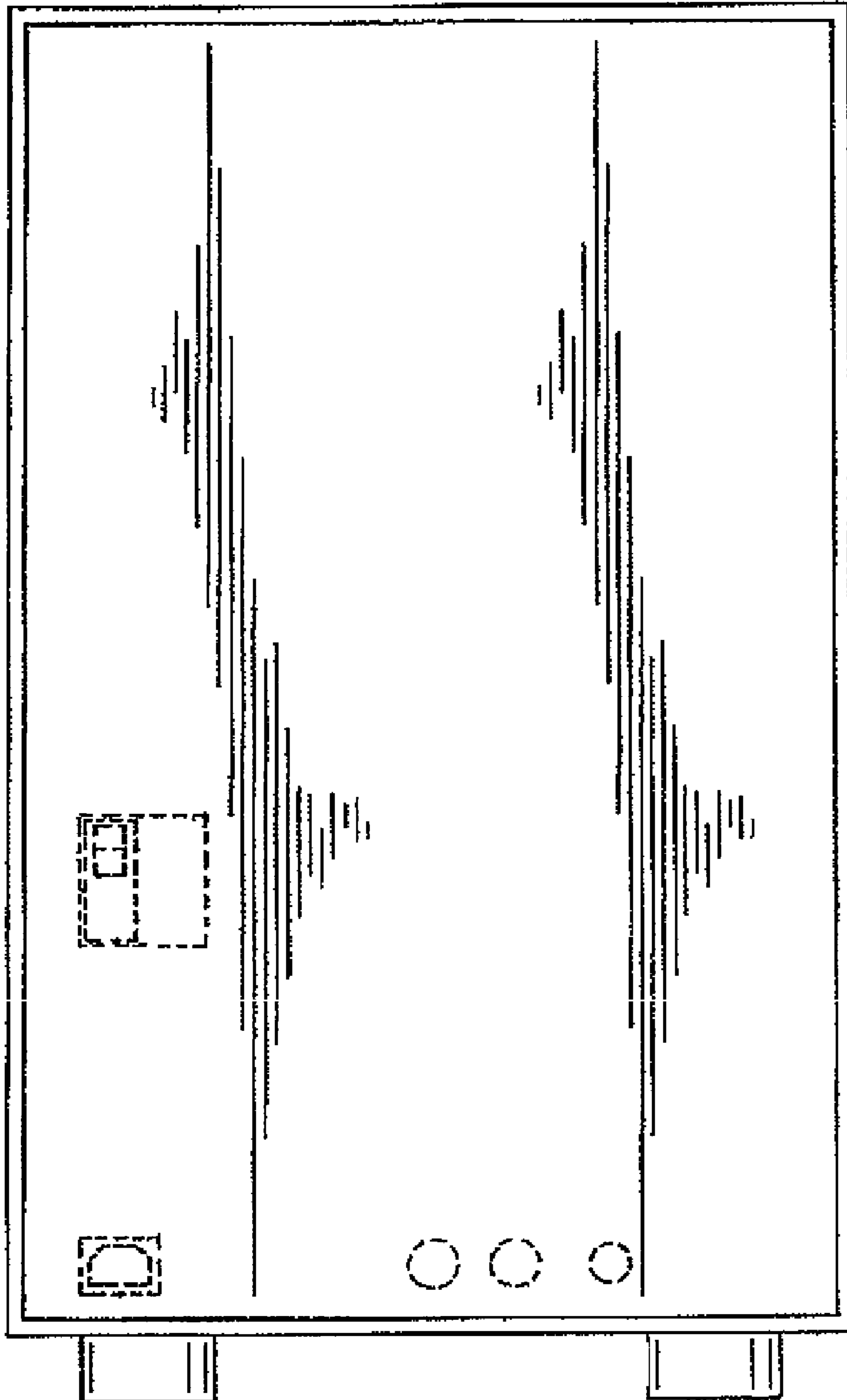


FIG. 2



*FIG. 3*

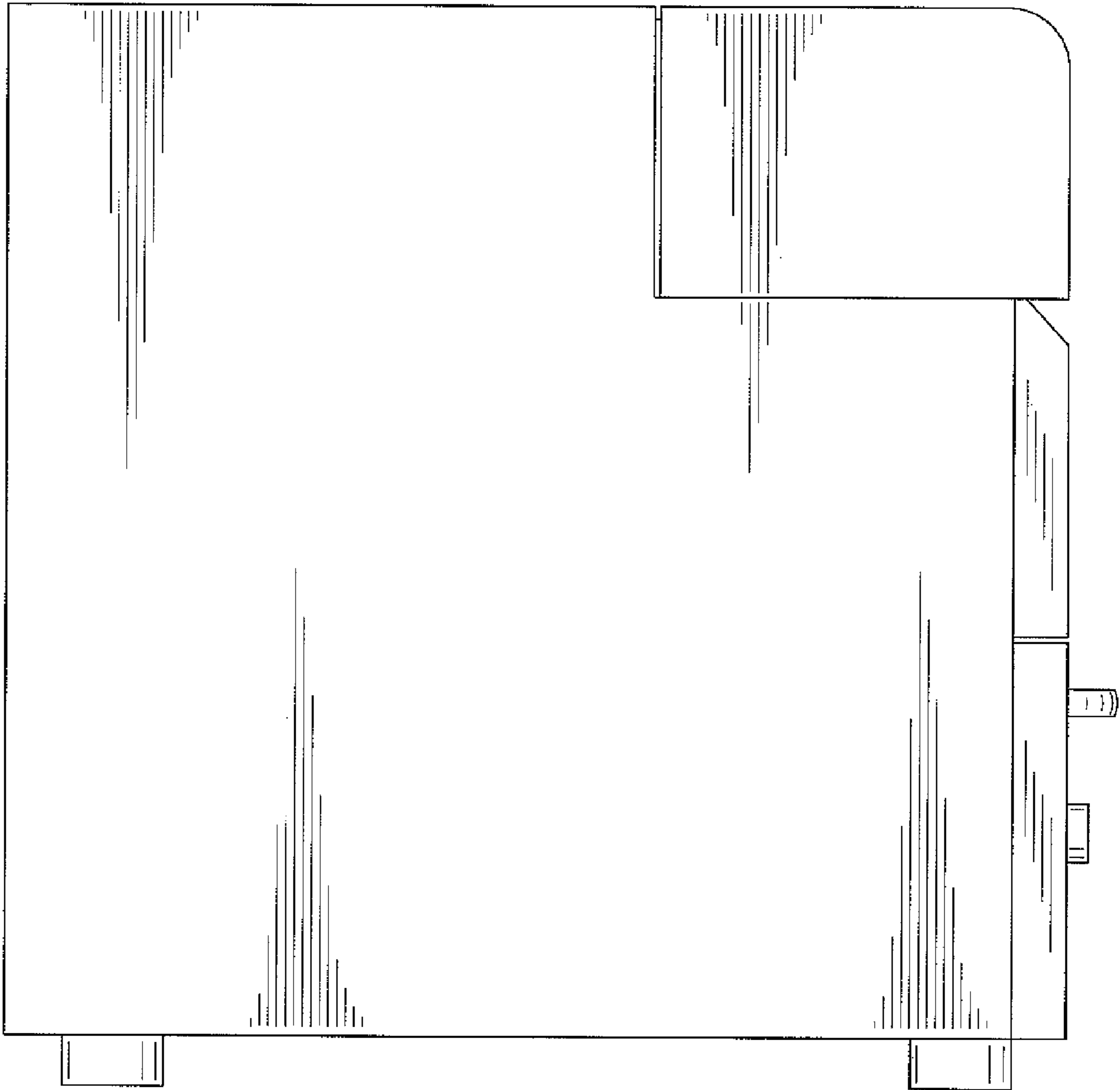
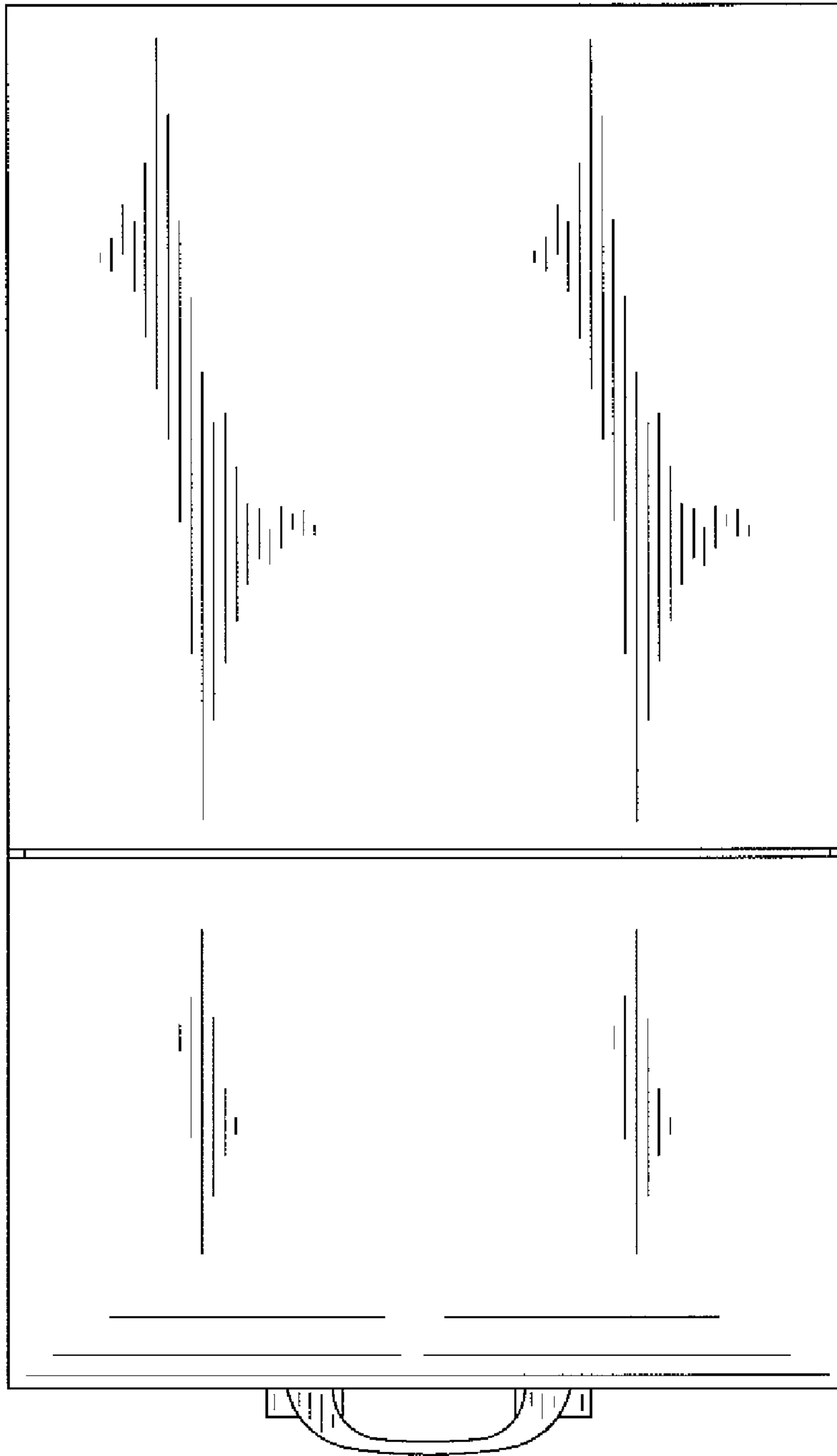


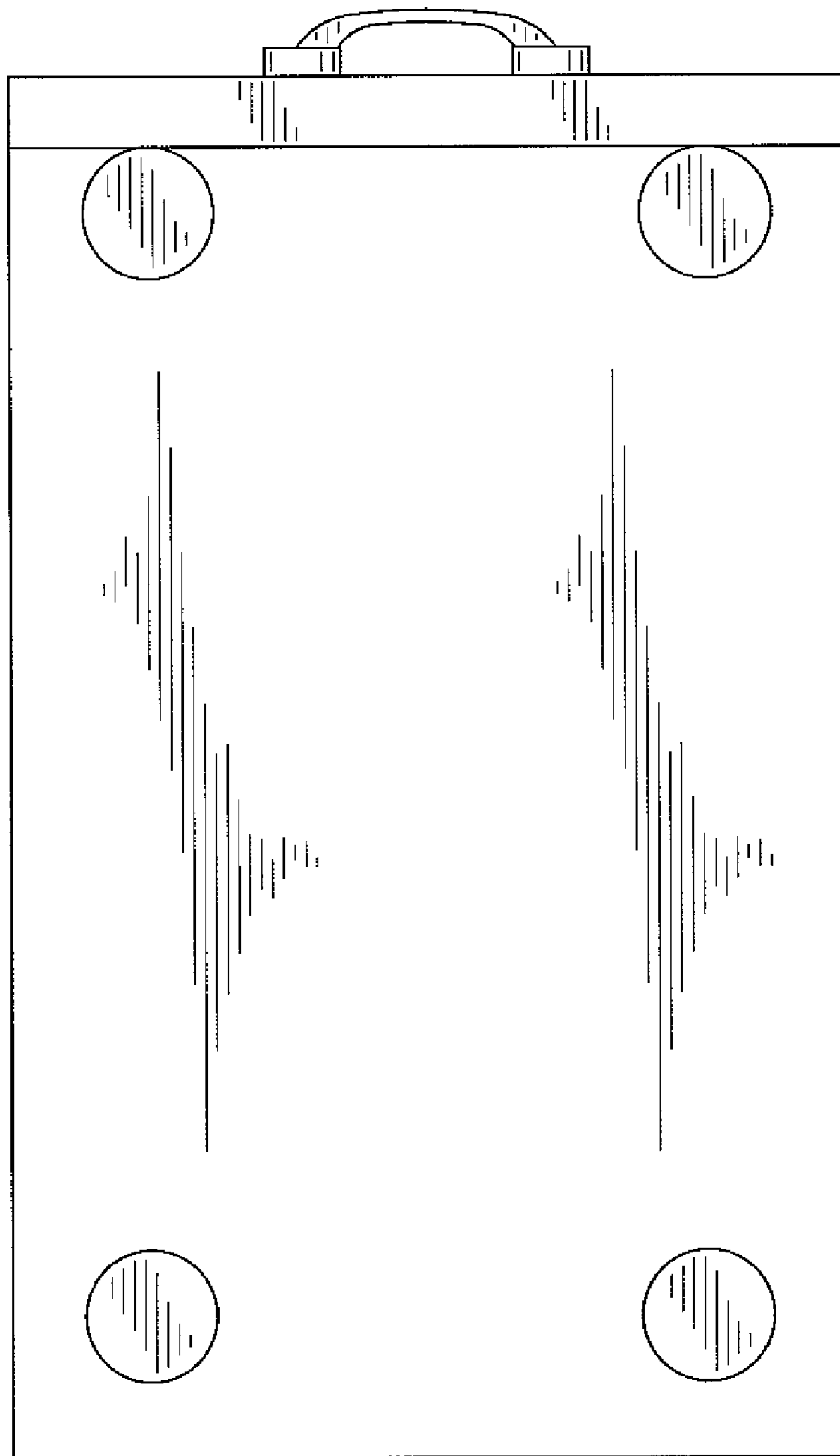
FIG. 4



FIG. 5



**FIG. 6**



*FIG. 7*