



US00D633535S

(12) **United States Design Patent**
Tanaka et al.

(10) **Patent No.:** **US D633,535 S**

(45) **Date of Patent:** **** Mar. 1, 2011**

(54) **CUTTING INSERT**

(75) Inventors: **Kunishige Tanaka**, Itami (JP);
Yasuyuki Kanada, Itami (JP); **Hirofumi**
Tamanishi, Itami (JP)

(73) Assignee: **Sumitomo Electric Hardmetal Corp.**,
Itami-shi (JP)

(**) Term: **14 Years**

(21) Appl. No.: **29/376,224**

(22) Filed: **Oct. 4, 2010**

Related U.S. Application Data

(62) Division of application No. 29/364,325, filed on Jun.
22, 2010.

(30) **Foreign Application Priority Data**

Dec. 25, 2009 (JP) D.2009-030124
Dec. 25, 2009 (JP) D.2009-030126

(51) **LOC (9) Cl.** **15-09**

(52) **U.S. Cl.** **D15/139**

(58) **Field of Classification Search** D8/70,
D8/71; D15/138, 139, 140; 82/130, 131;
407/33-52, 77, 107-120

See application file for complete search history.

(56) **References Cited**

U.S. PATENT DOCUMENTS

D137,803 S * 5/1944 Wilson D15/140
D138,368 S * 7/1944 Wilson D15/140
3,443,457 A * 5/1969 Nedsten 76/101.1
D275,760 S * 10/1984 Cochran D15/139
D295,016 S * 4/1988 Forrester D8/70
D311,193 S * 10/1990 Andersson et al. D15/139
4,992,007 A * 2/1991 Satran 407/110
D330,381 S * 10/1992 Gustafsson et al. D15/139
RE37,595 E * 3/2002 Lindstedt 407/116

D465,229 S * 11/2002 Hole et al. D15/130
7,195,427 B2 * 3/2007 Sjo et al. 407/82
D619,153 S * 7/2010 Davidson D15/139
2003/0010403 A1 * 1/2003 Smith 144/241
2007/0086864 A1 * 4/2007 Hecht 407/109
2007/0258779 A1 * 11/2007 Lundvall 407/113

* cited by examiner

Primary Examiner—Patricia Palasik

(74) *Attorney, Agent, or Firm*—Venable LLP; Michael A.
Sartori; Steven J. Schwarz

(57) **CLAIM**

The ornamental design for a cutting insert, as shown and
described.

DESCRIPTION

FIG. 1 is a perspective view of the front, top plan and left side
of a cutting insert showing our new design;

FIG. 2 is a front view thereof;

FIG. 3 is a rear view thereof;

FIG. 4 is a top plan view thereof;

FIG. 5 is a bottom plan view thereof;

FIG. 6 is a left side view thereof;

FIG. 7 is a right side view thereof;

FIG. 8 is an enlarged perspective view thereof;

FIG. 9 is an enlarged front view thereof;

FIG. 10 is an enlarged rear view thereof;

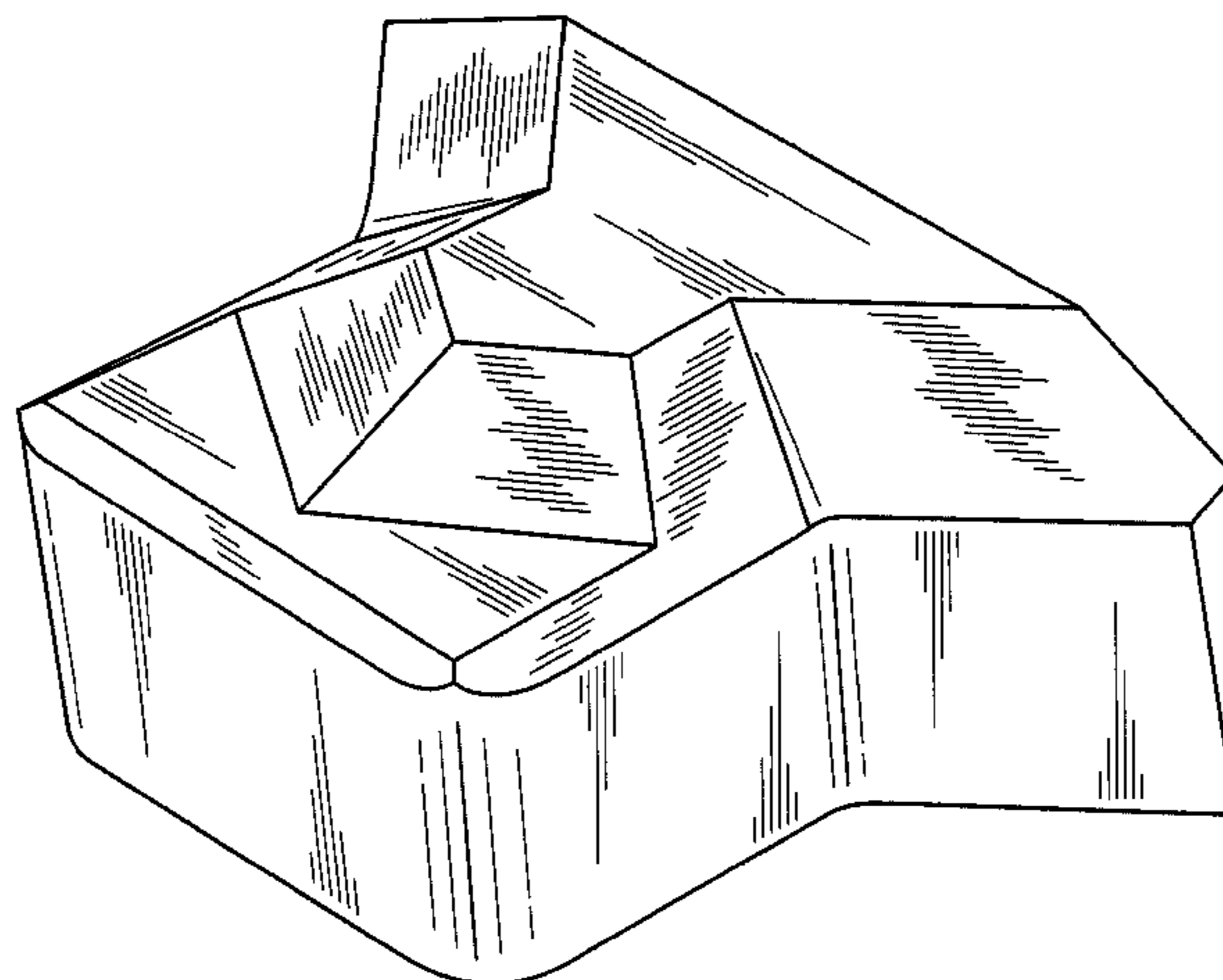
FIG. 11 is an enlarged top plan view thereof;

FIG. 12 is an enlarged left side view thereof; and,

FIG. 13 is a perspective reference view of usage thereof.

The portions of the article in broken lines are shown for
illustrative purposes only and form no part of the claimed
design.

1 Claim, 9 Drawing Sheets



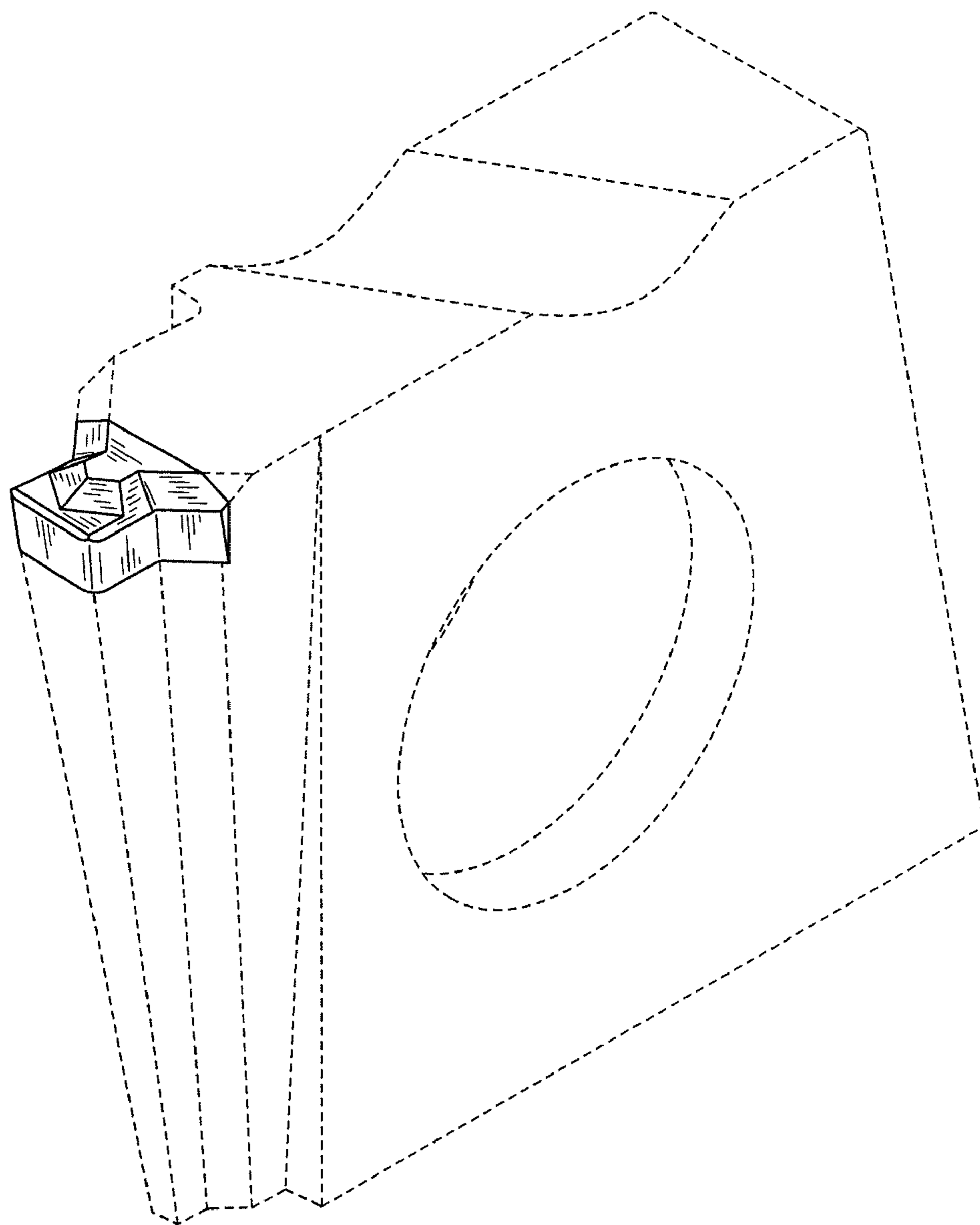


FIG. 1

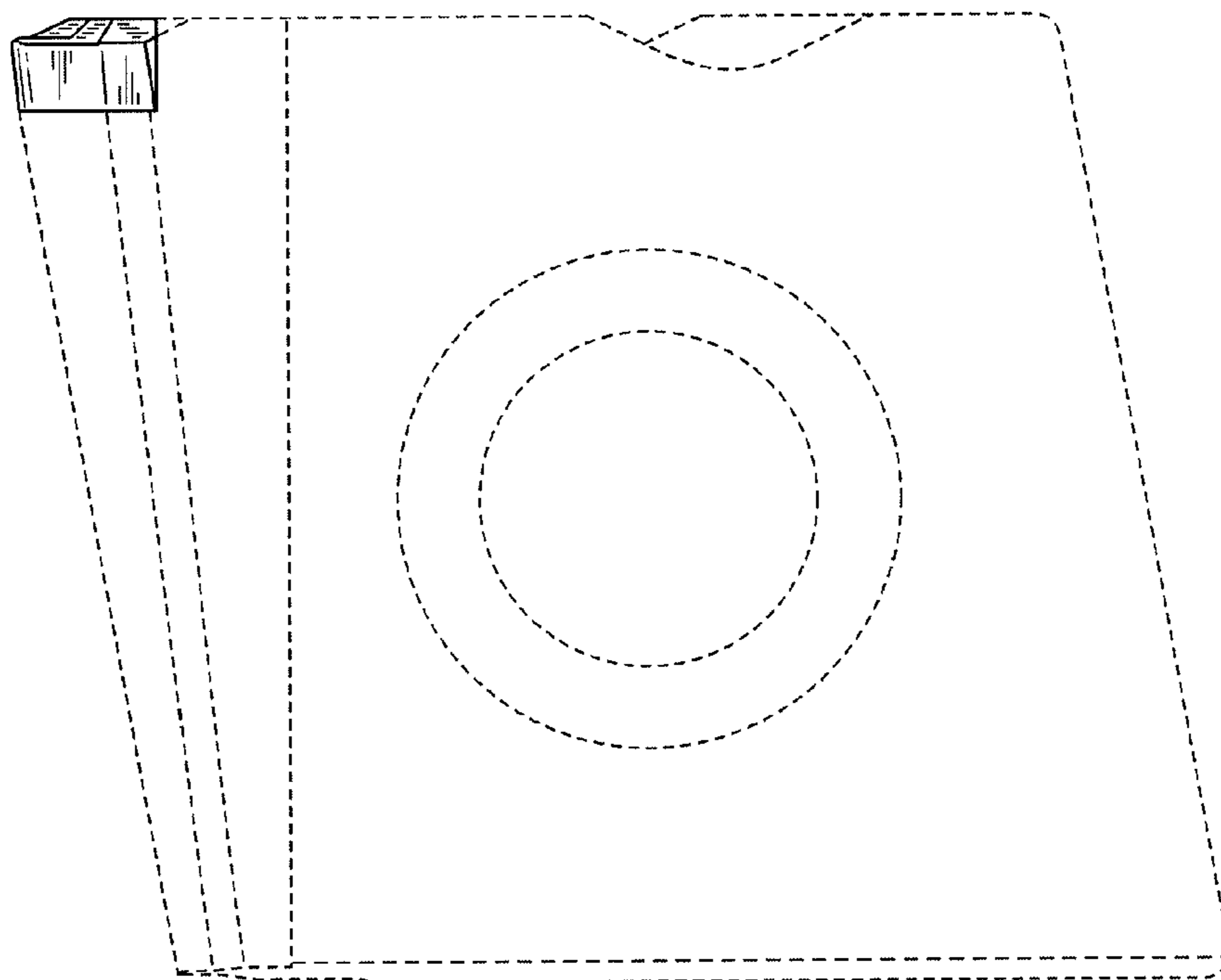


FIG. 2

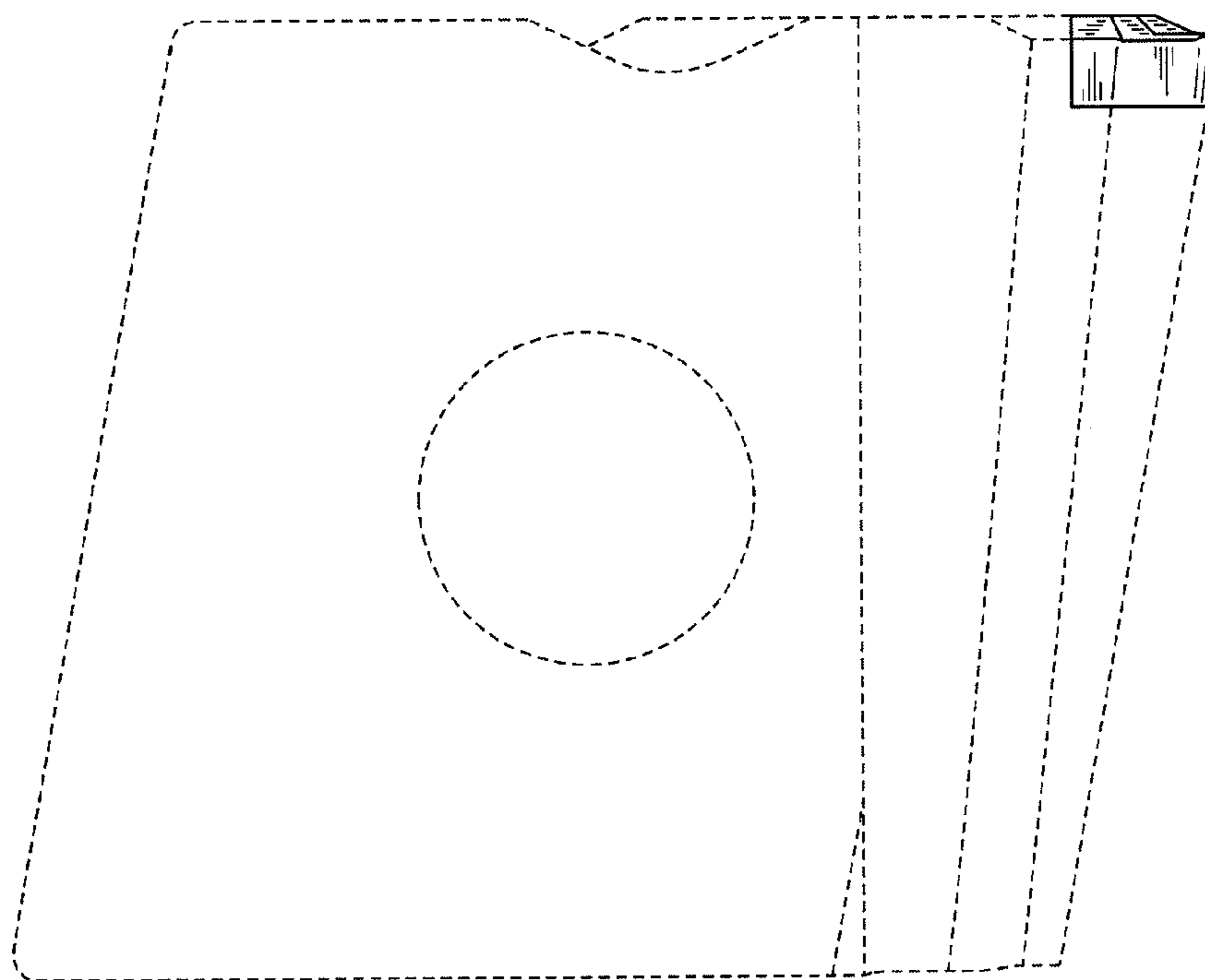


FIG. 3

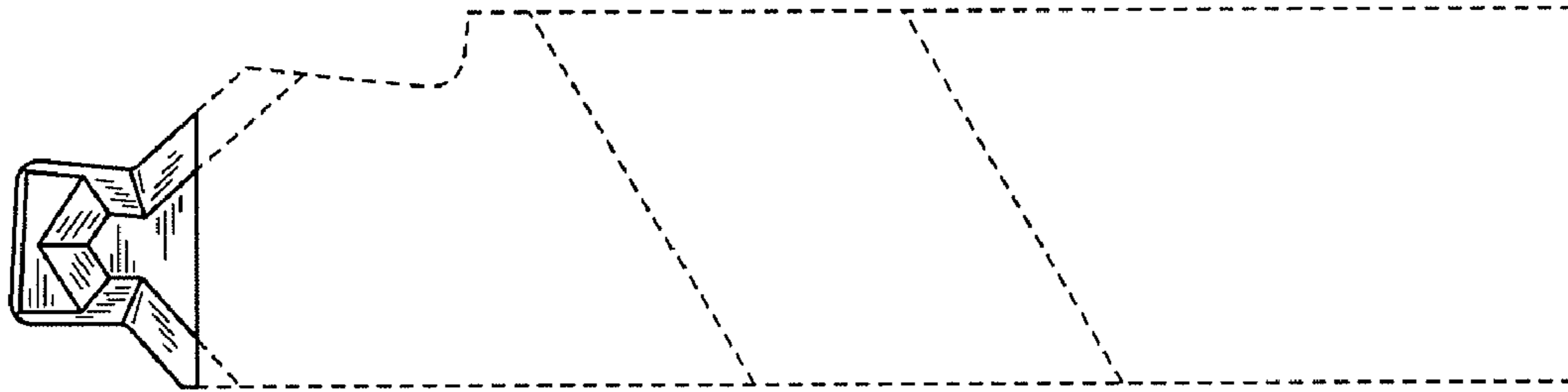


FIG. 4

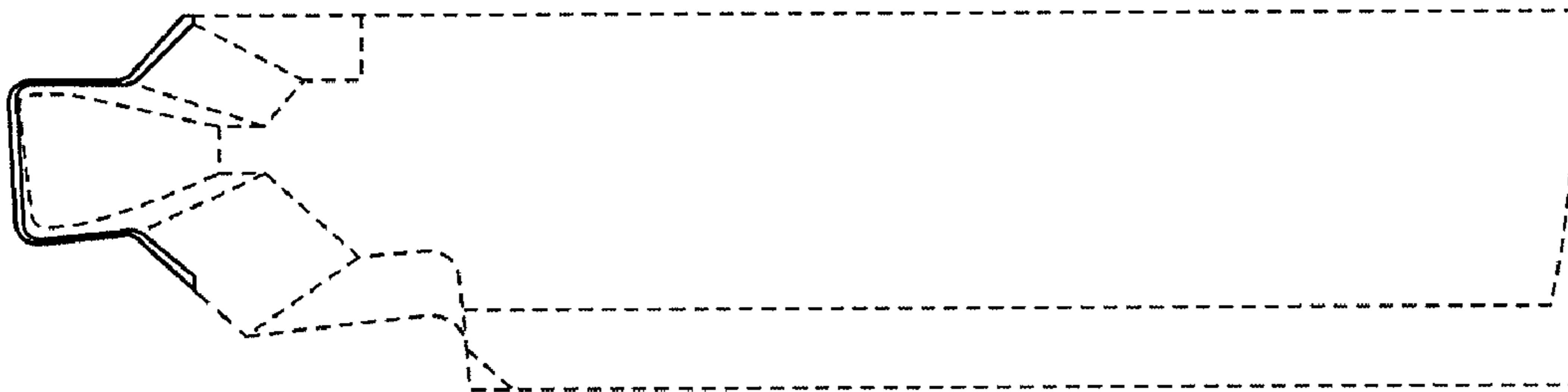


FIG. 5

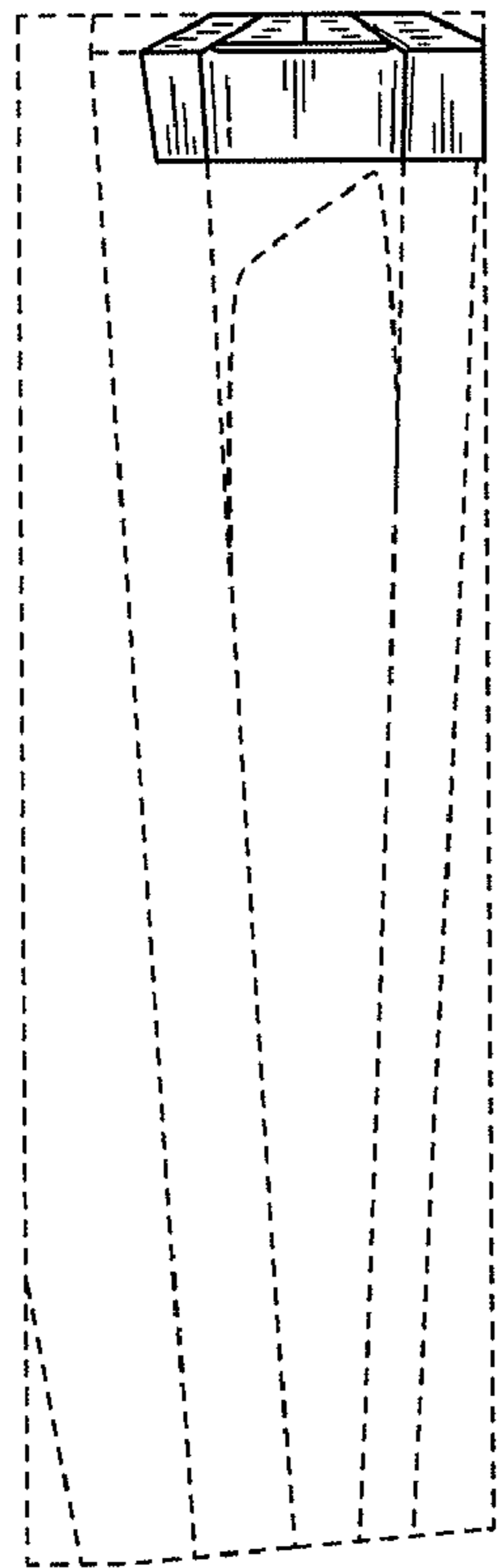


FIG. 6

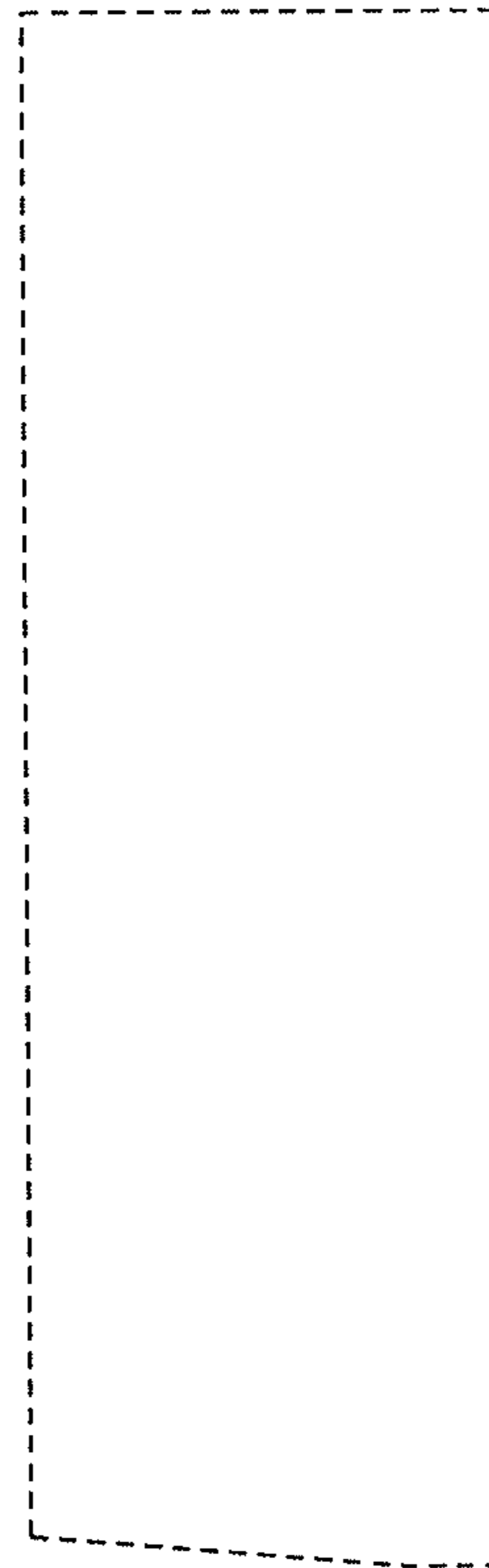


FIG. 7

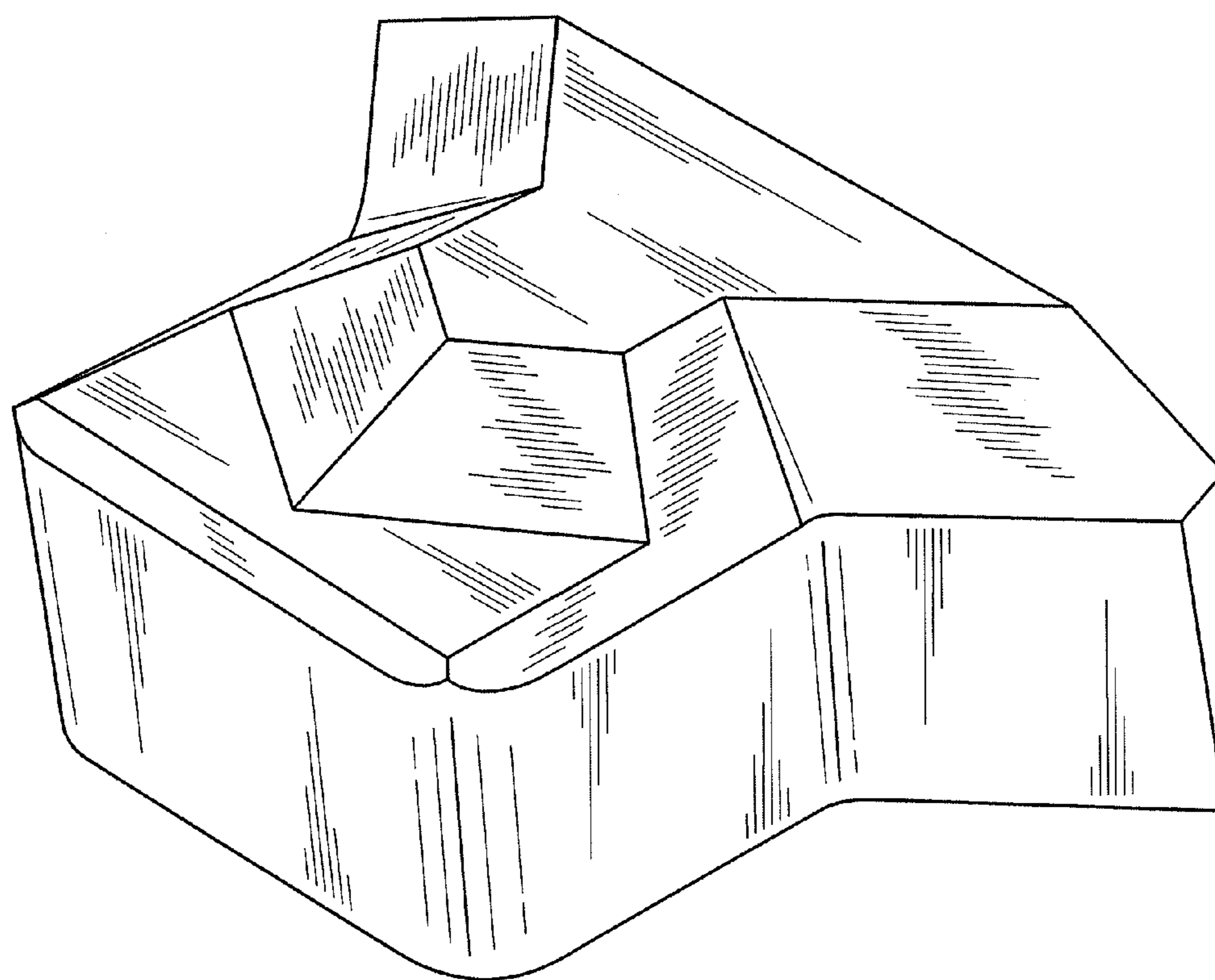


FIG. 8

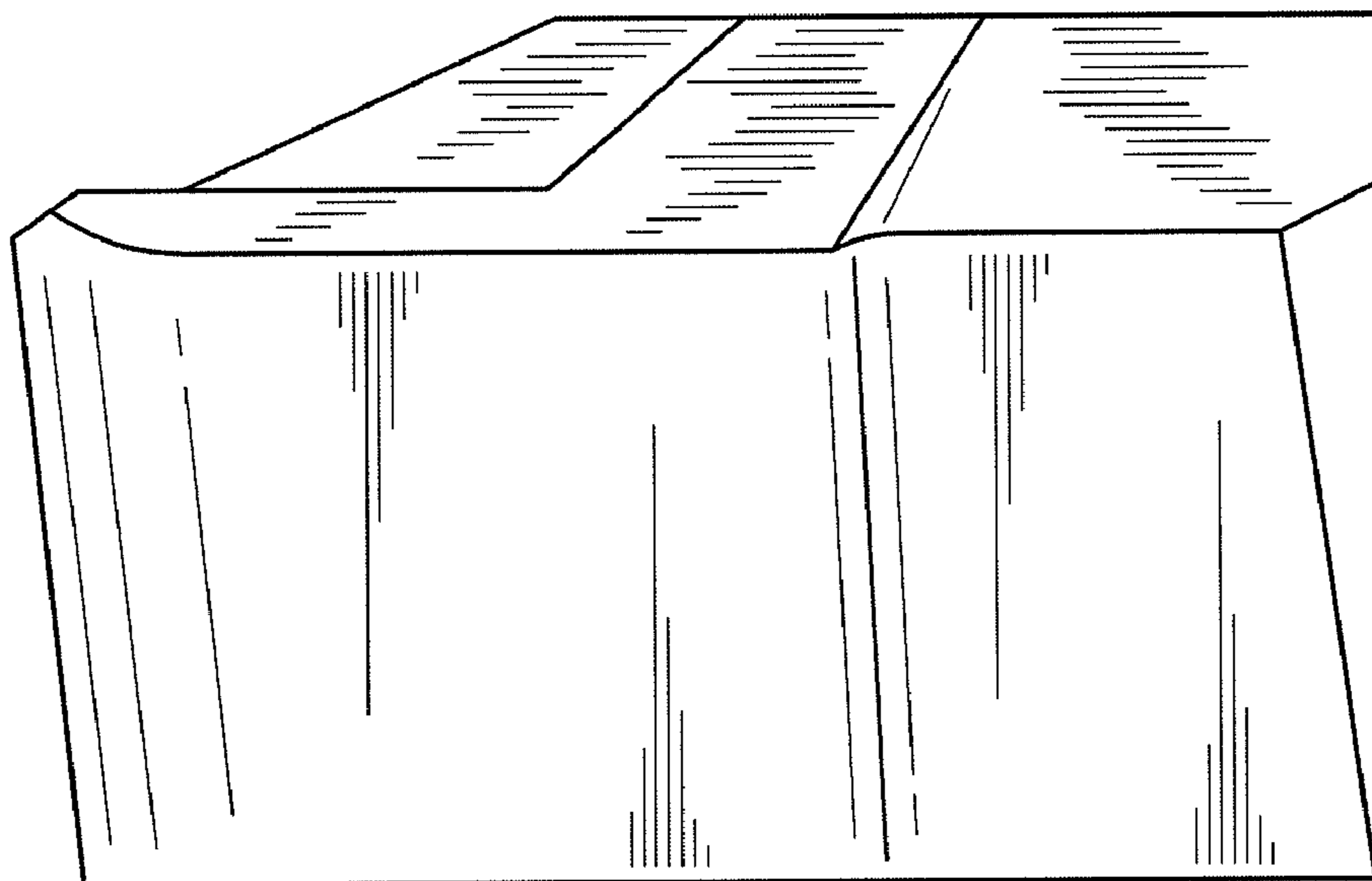


FIG. 9

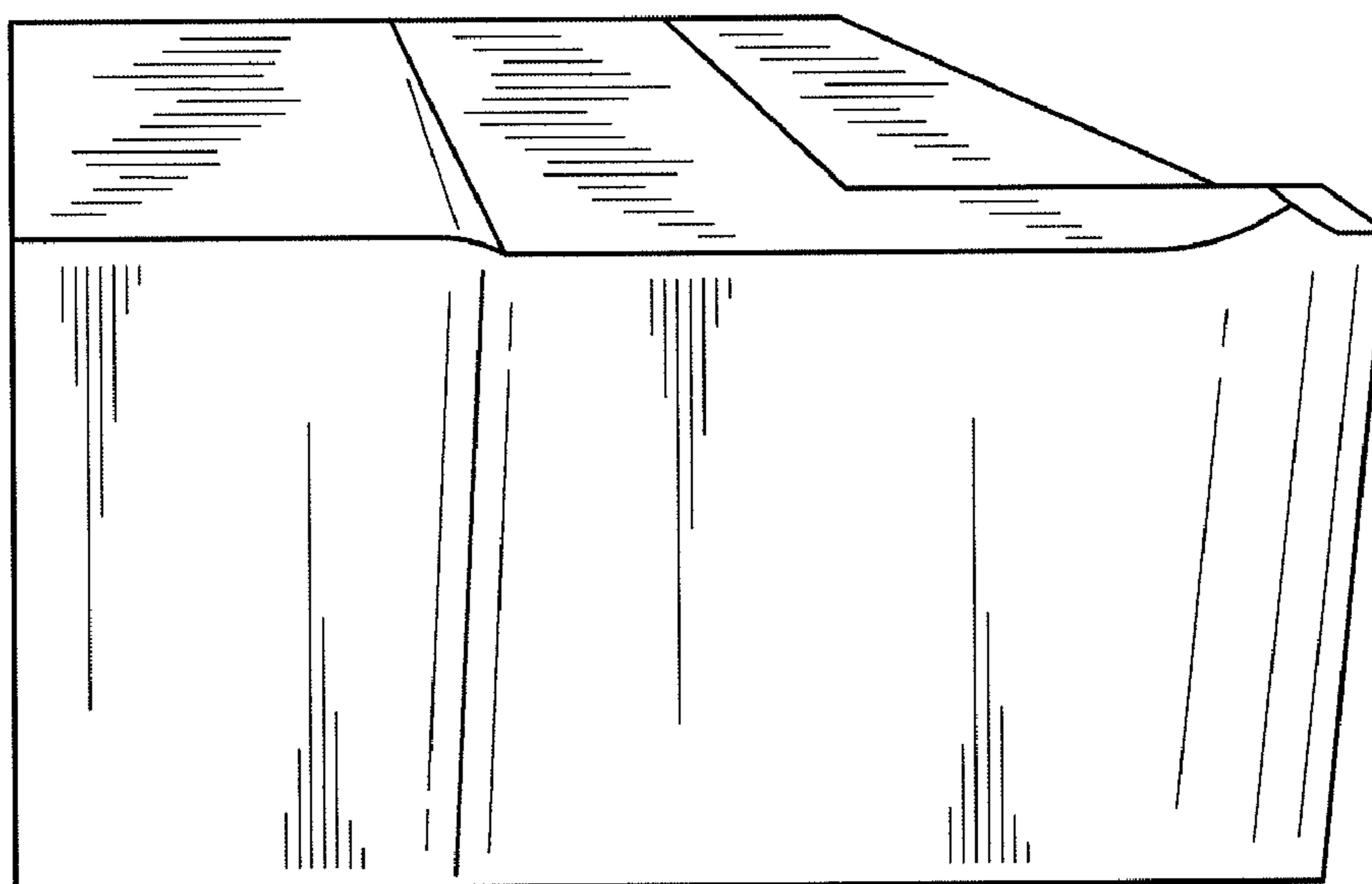


FIG. 10

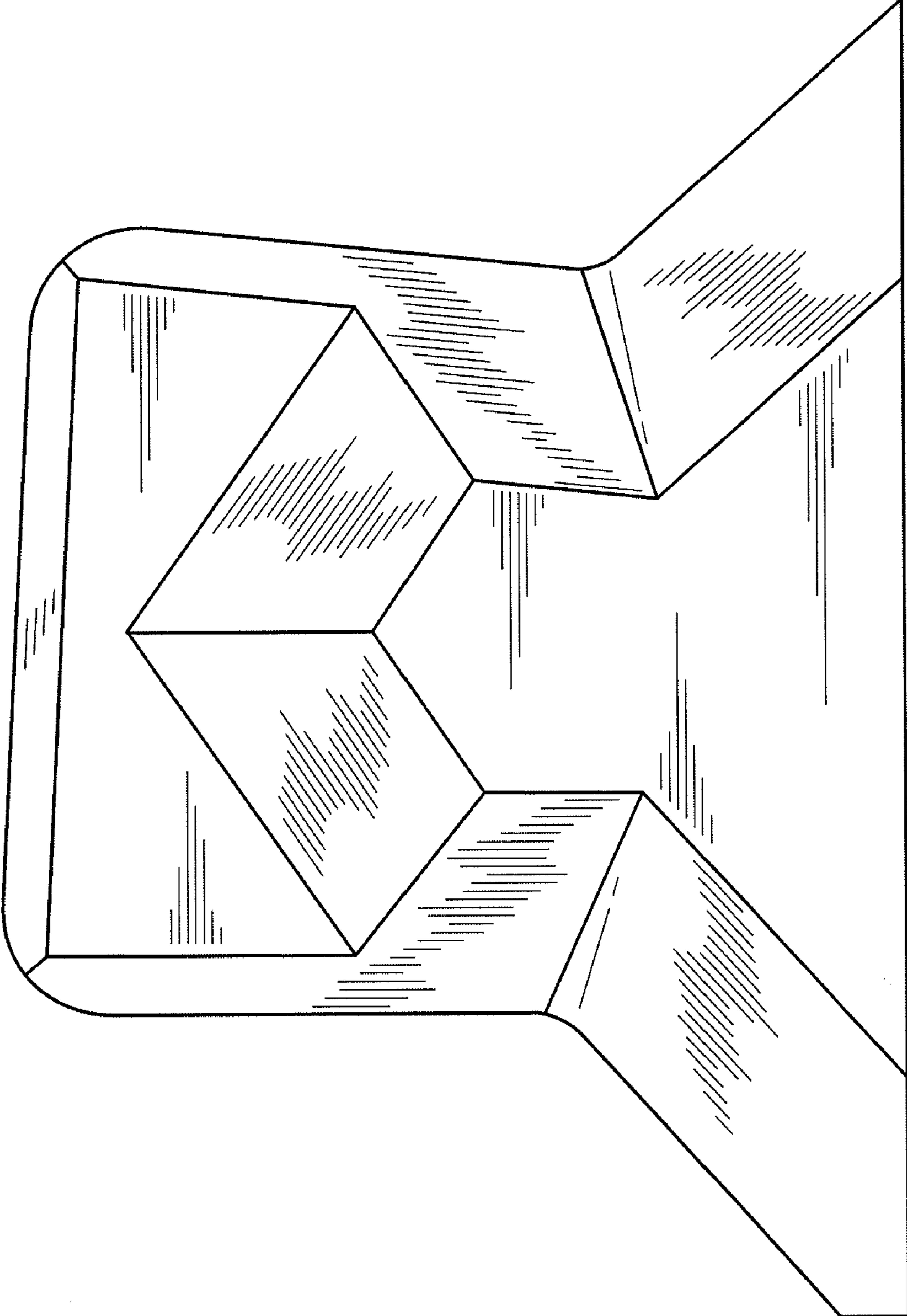


FIG. 11

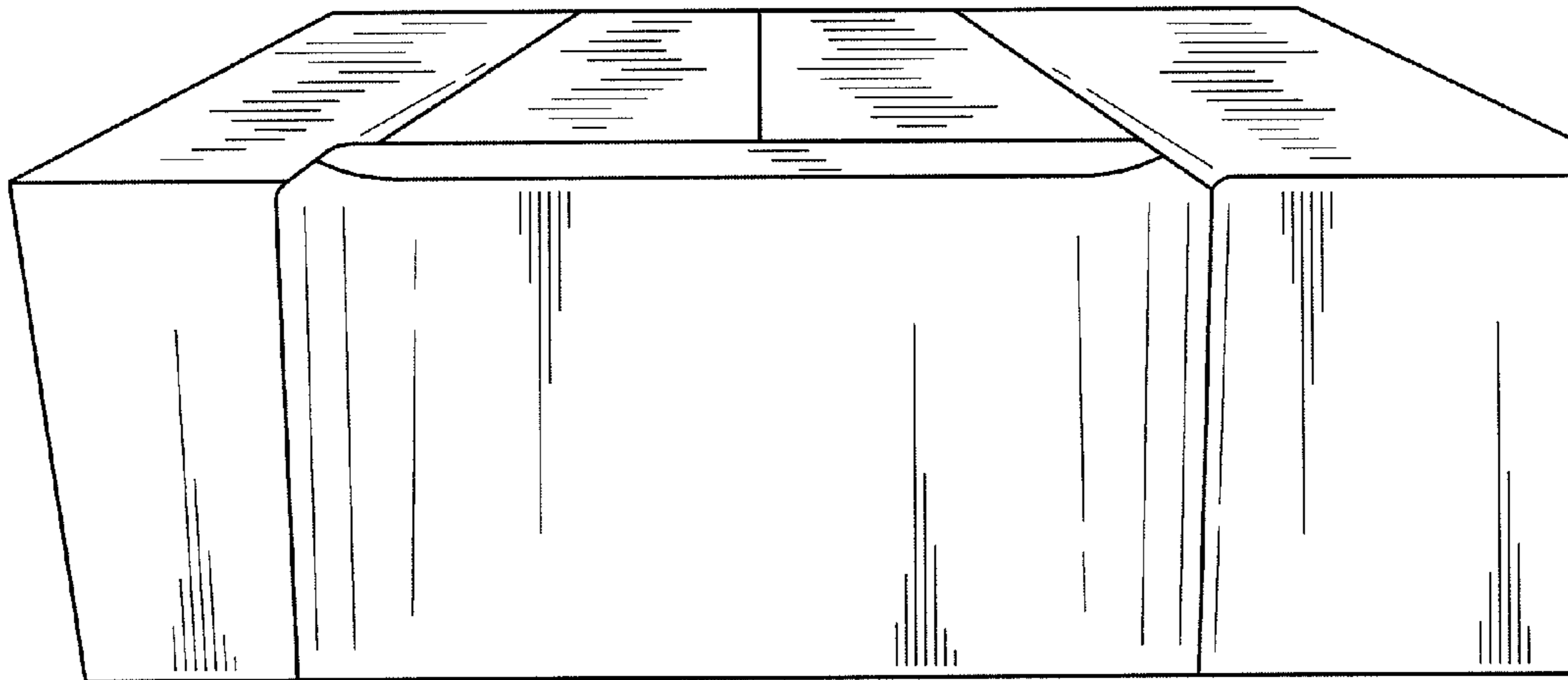


FIG. 12

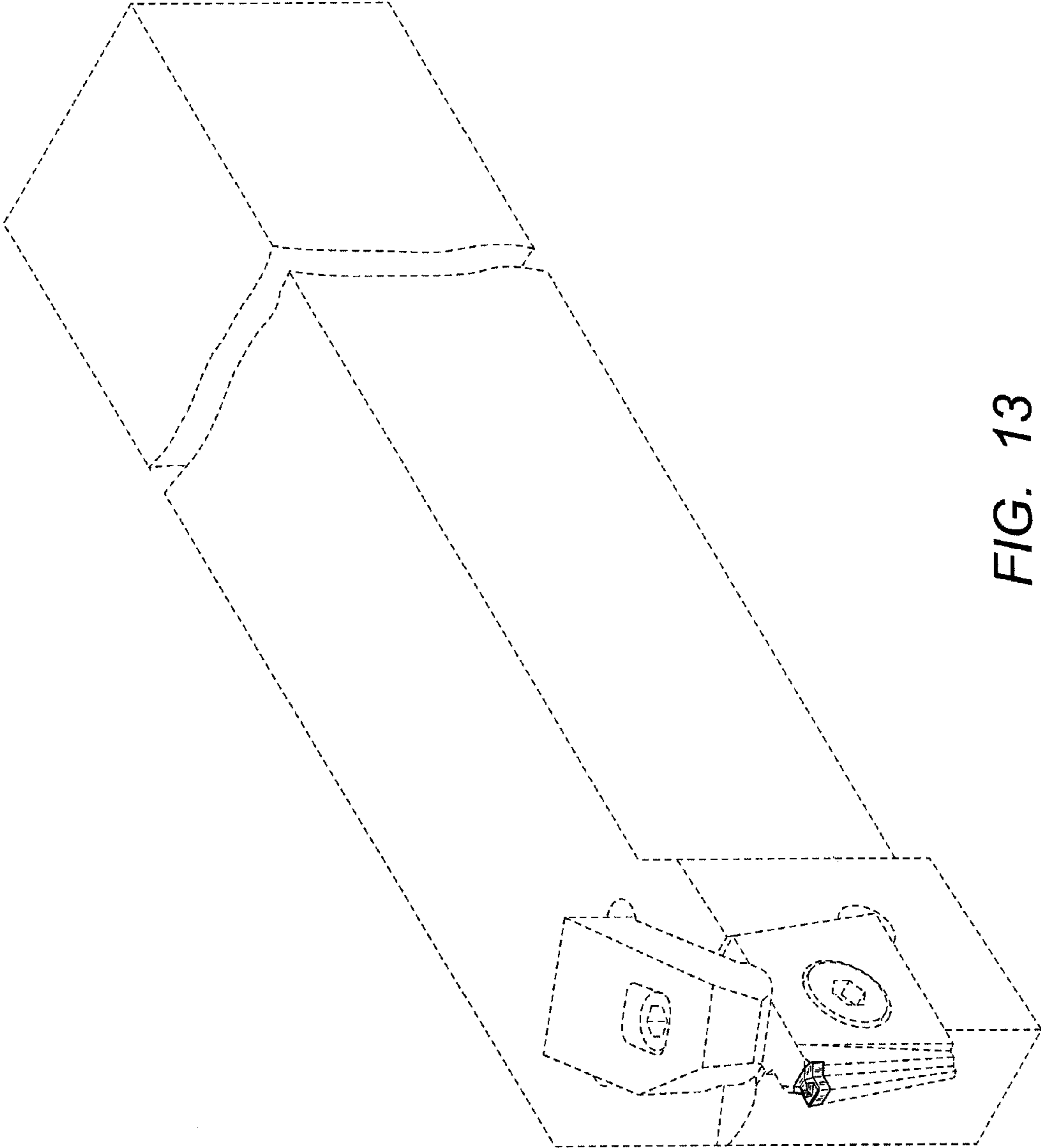


FIG. 13