

US00D633531S

(12) **United States Design Patent**
von Richthofen

(10) **Patent No.:** **US D633,531 S**

(45) **Date of Patent:** **** Mar. 1, 2011**

(54) **VIBRATORY PLATE**

(75) Inventor: **Thorsten von Richthofen**, Munich (DE)

(73) Assignee: **Wacker Neuson SE**, Munich (DE)

(**) Term: **14 Years**

(21) Appl. No.: **29/363,417**

(22) Filed: **Jun. 9, 2010**

(30) **Foreign Application Priority Data**

Dec. 9, 2009 (EM) 001645227

(51) **LOC (9) Cl.** **15-03**

(52) **U.S. Cl.** **D15/20**

(58) **Field of Classification Search** D15/20,
D15/10, 147, 33; 404/113, 133.1, 133.05,
404/114, 117; 74/61; 173/113, 118; 172/699;
56/11.3

See application file for complete search history.

(56) **References Cited**

U.S. PATENT DOCUMENTS

D183,297 S * 8/1958 Brown D15/20
D197,360 S * 1/1964 Frohnauer, Jr. D15/20
D227,166 S * 6/1973 Briggs et al. D15/20
D227,598 S * 7/1973 Maass D15/20
D235,374 S * 6/1975 Aiello D15/20
D240,336 S * 6/1976 Maass D15/20
D393,864 S * 4/1998 Waldenberger et al. D15/20
6,551,022 B1 * 4/2003 Stayner 404/133.1
6,588,977 B1 * 7/2003 Stayner 404/133.1
D517,094 S * 3/2006 Stein et al. D15/20

D518,070 S * 3/2006 Schennach D15/20
7,303,356 B2 * 12/2007 Schennach et al. 404/133.1
D604,335 S * 11/2009 Hu D15/20
D615,104 S * 5/2010 Loew et al. D15/20
D615,997 S * 5/2010 Loew et al. D15/20
2006/0083590 A1 * 4/2006 Schennach et al. 404/133.1
2008/0003058 A1 * 1/2008 Persson et al. 404/133.1
2008/0247824 A1 * 10/2008 Steffen 404/133.05
2009/0035065 A1 * 2/2009 Gavins 404/114

* cited by examiner

Primary Examiner—Mark A Goodwin

(74) *Attorney, Agent, or Firm*—Boyle Fredrickson, S.C.

(57) **CLAIM**

The ornamental design for a vibratory plate, as shown and described.

DESCRIPTION

FIG. 1 is a top front right isometric view of a vibratory plate showing my new design;

FIG. 2 is a top rear right isometric view thereof;

FIG. 3 is a right side elevation view thereof;

FIG. 4 is a left side elevation view thereof;

FIG. 5 is front elevation view thereof;

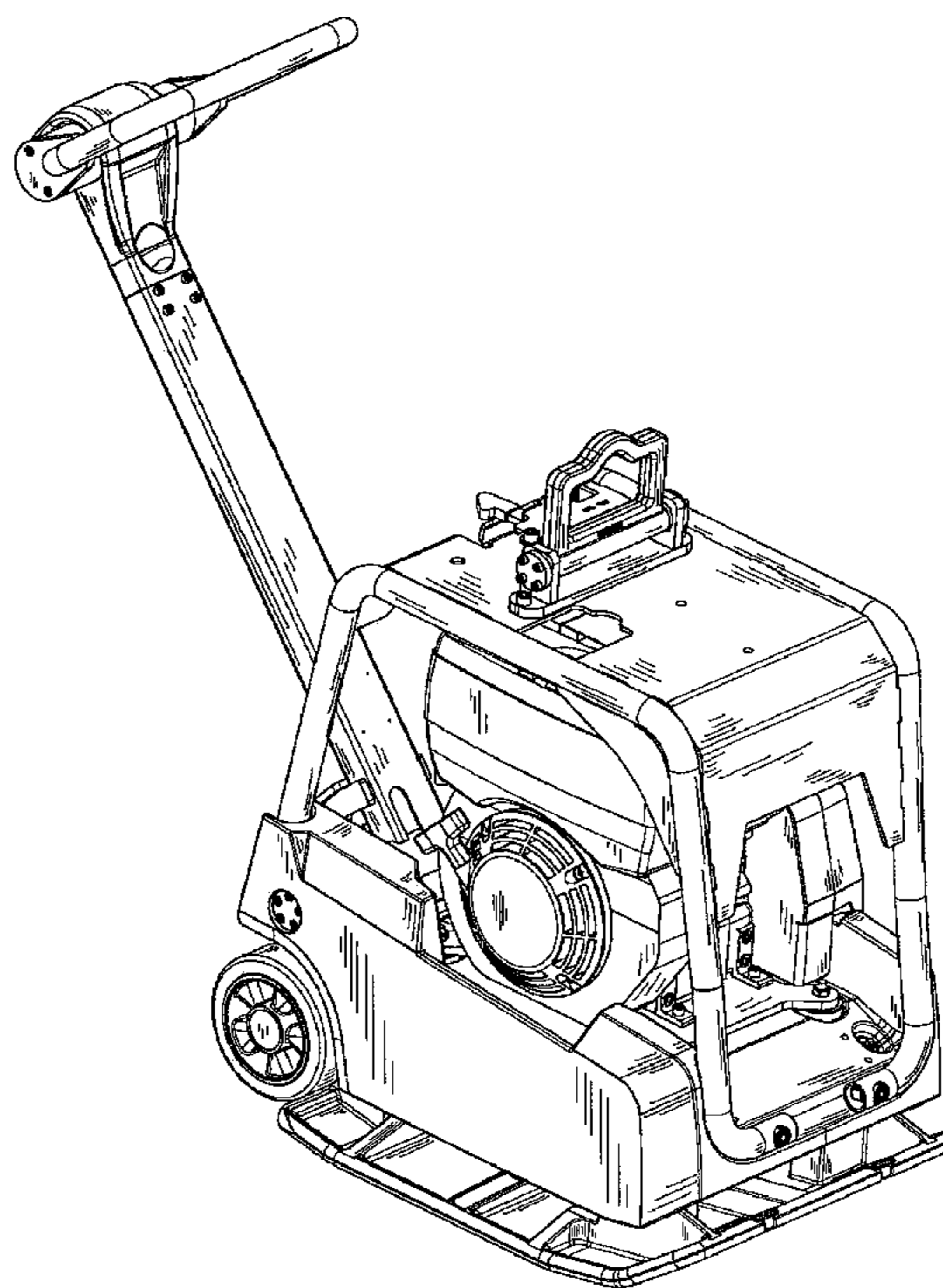
FIG. 6 is a rear elevation view thereof;

FIG. 7 is a top plan view thereof; and,

FIG. 8 is a bottom plan view thereof.

The broken lines in FIG. 8 are for illustrative purposes only and form no part of the claimed design.

1 Claim, 8 Drawing Sheets



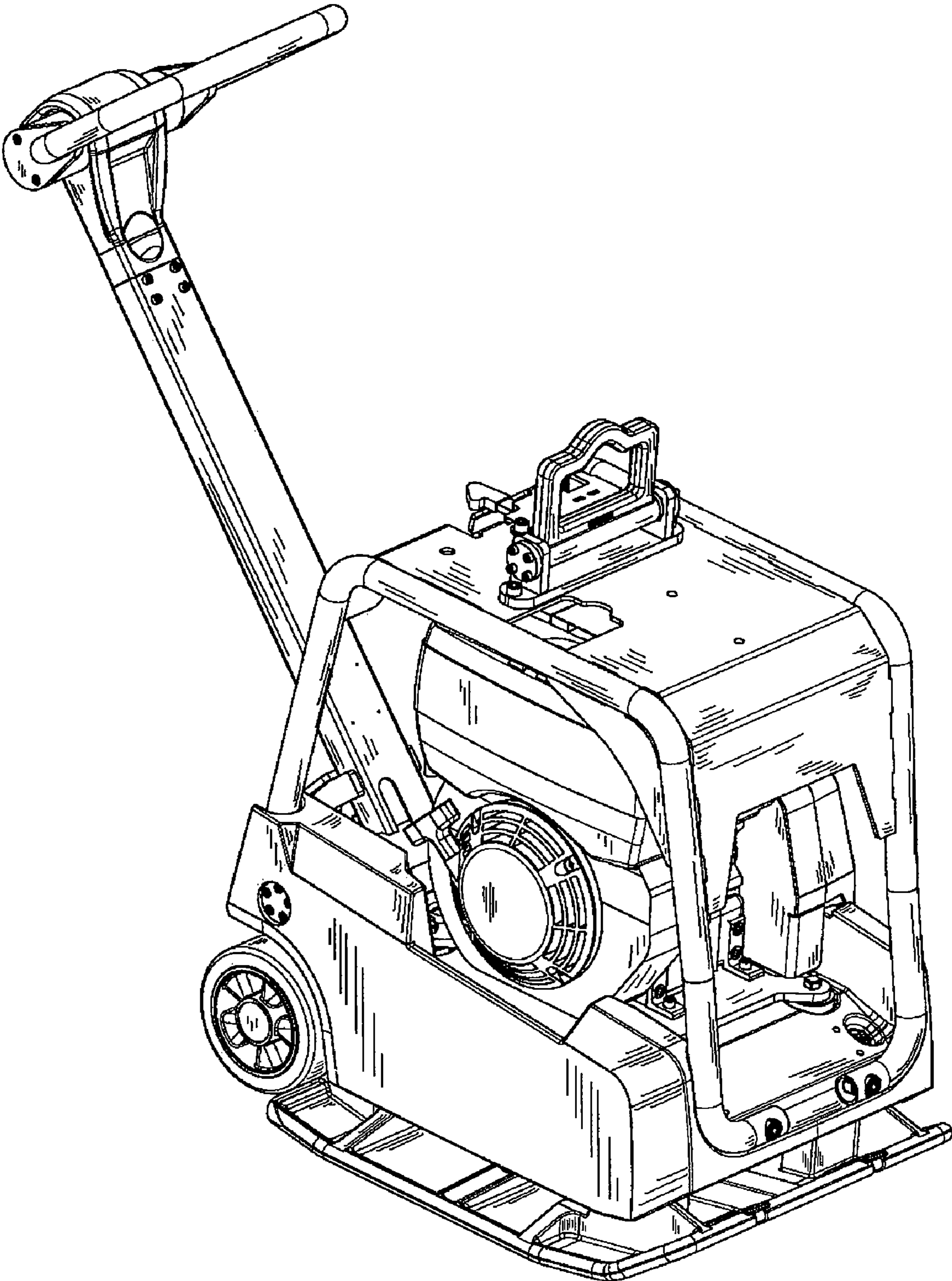


FIG. 1

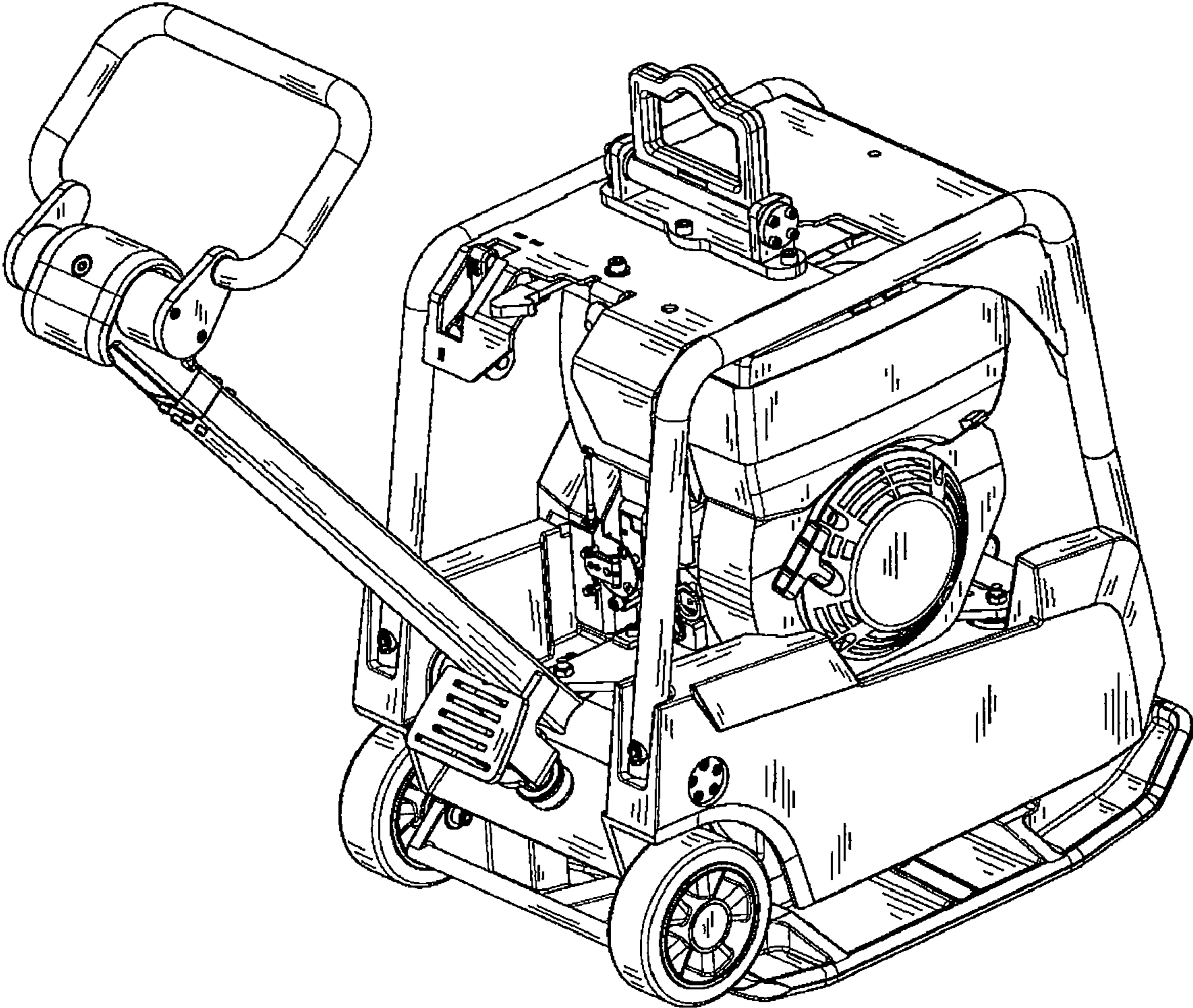


FIG. 2

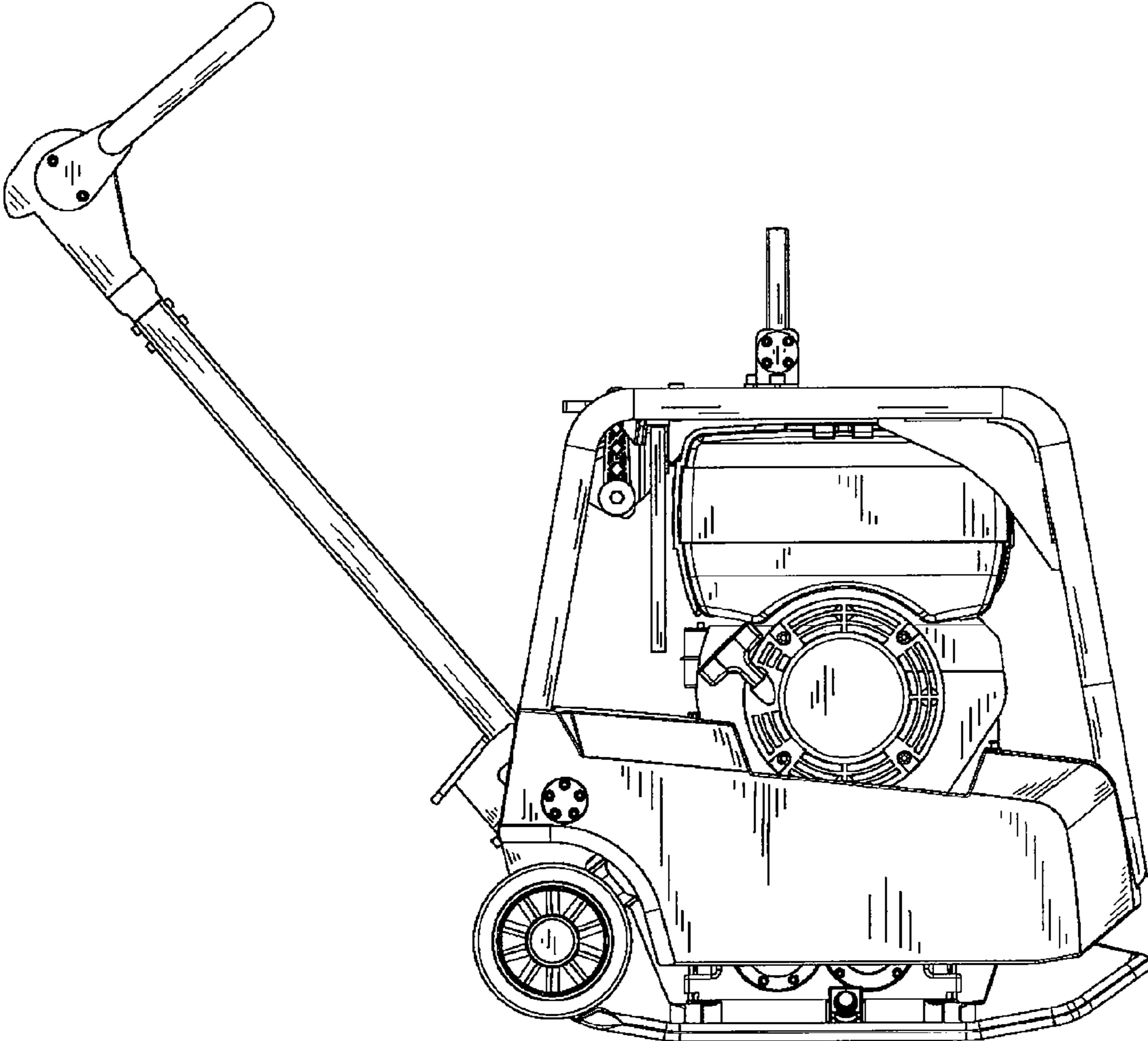


FIG. 3

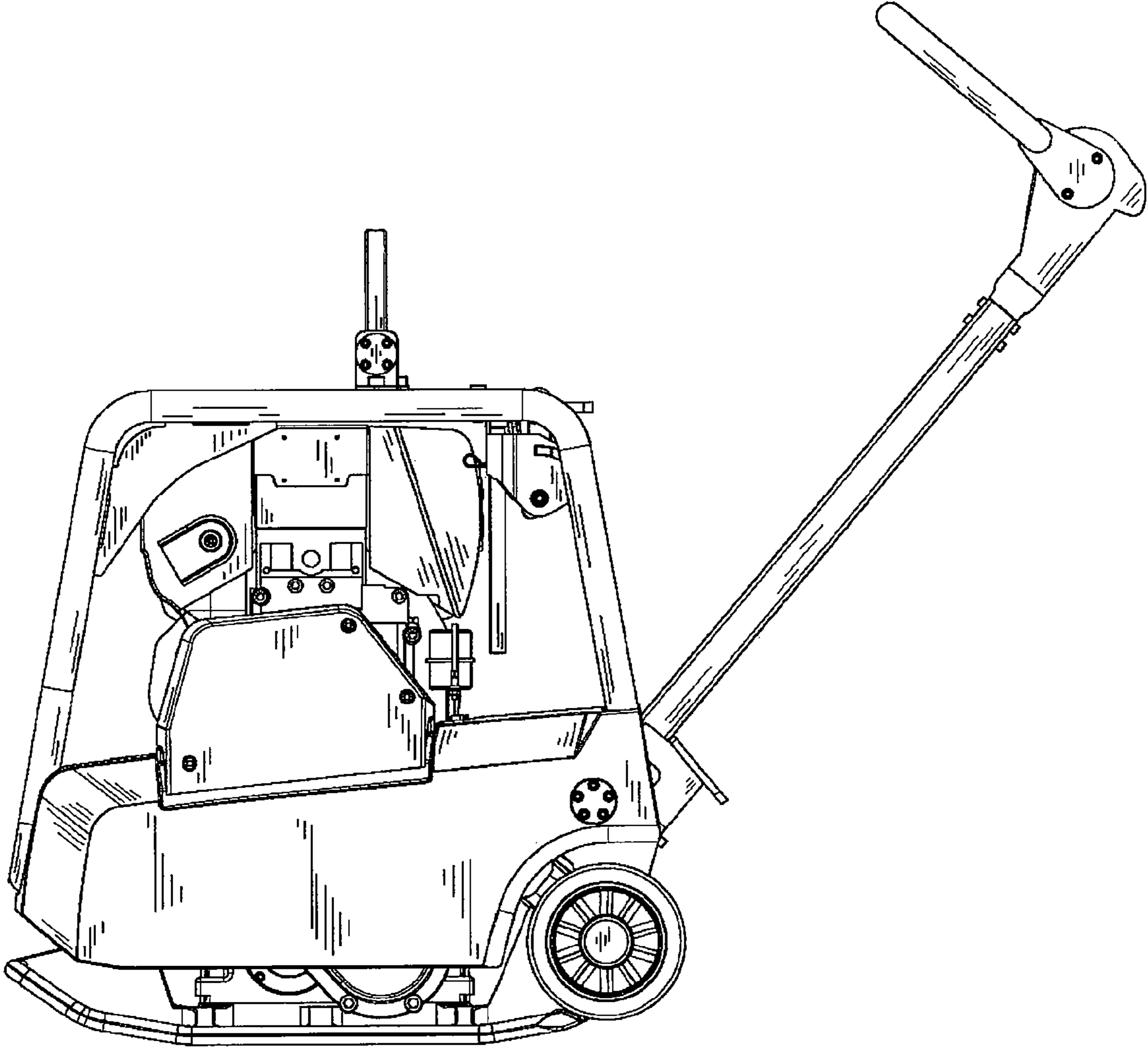


FIG. 4

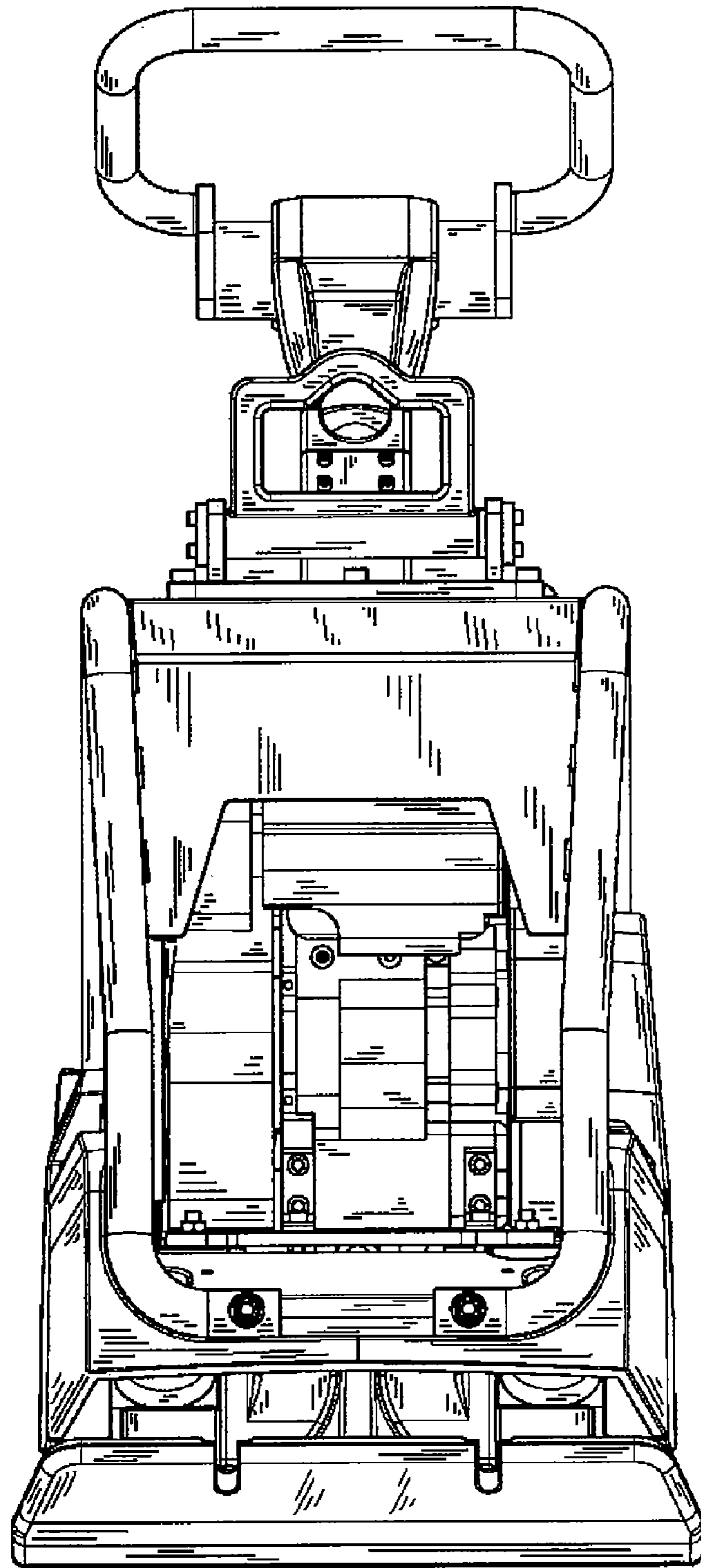


FIG. 5

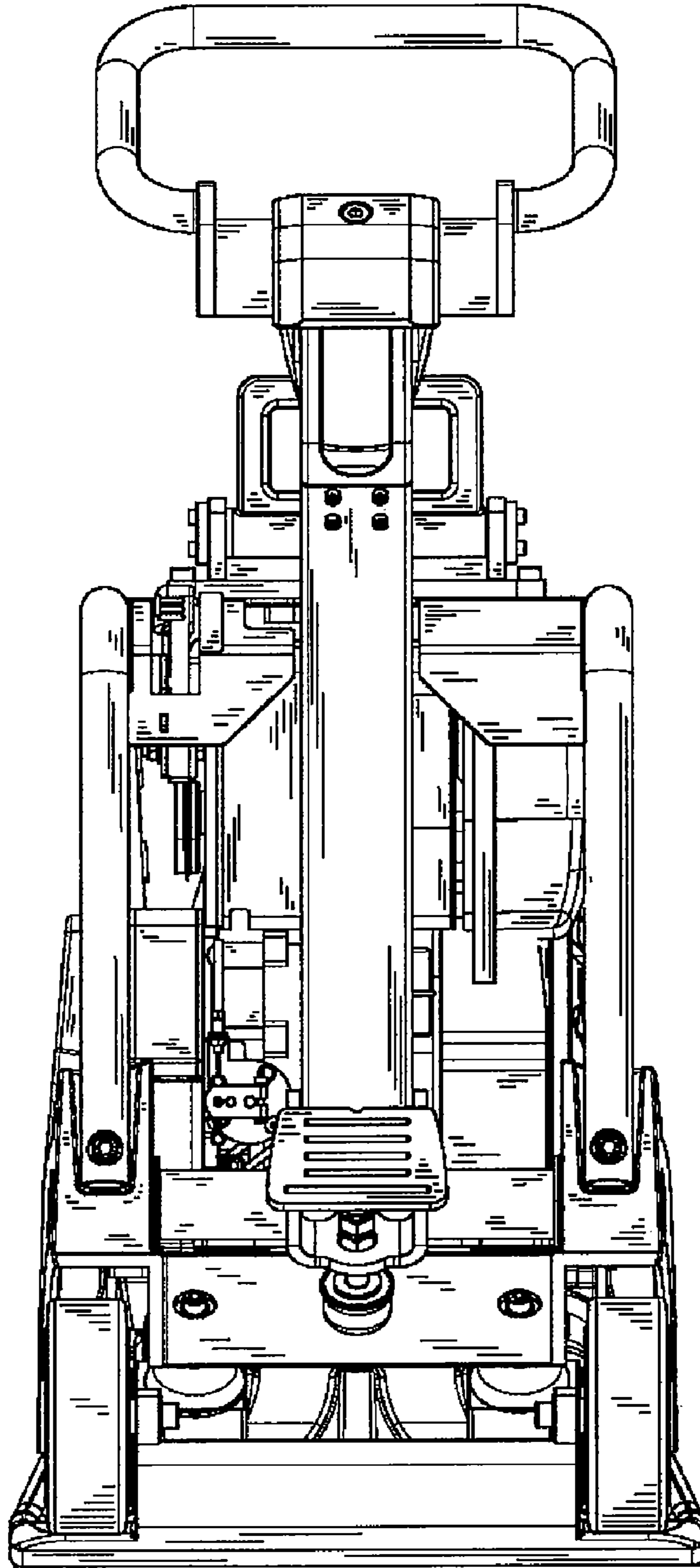


FIG. 6

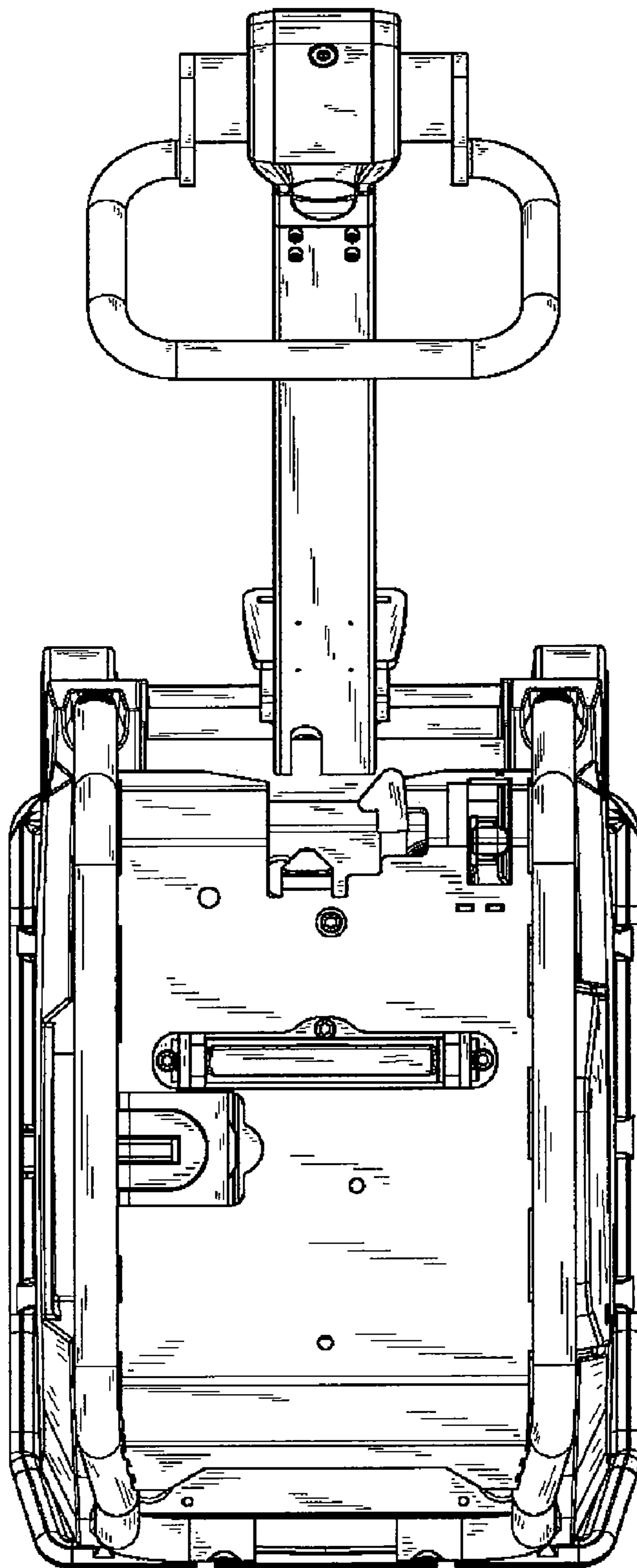


FIG. 7

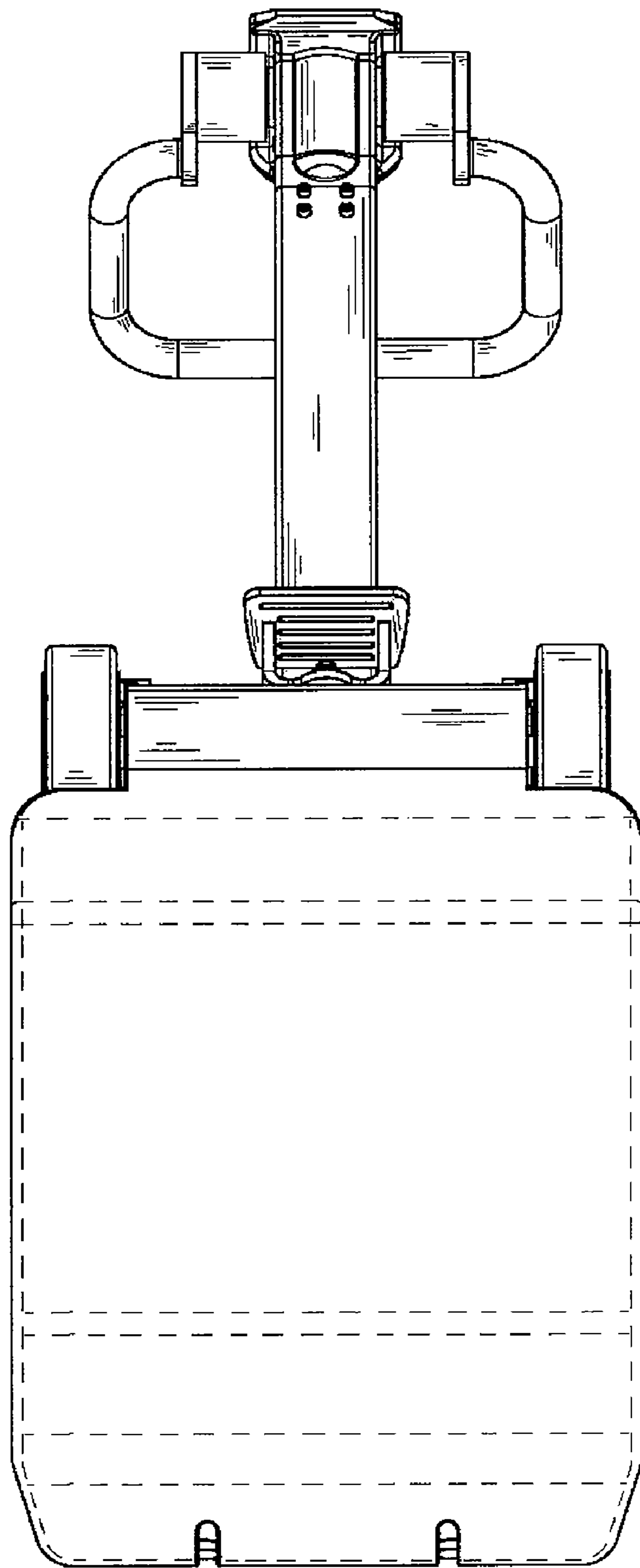


FIG. 8