



US00D633528S

(12) **United States Design Patent**  
**Usami**

(10) **Patent No.:** **US D633,528 S**  
(45) **Date of Patent:** **\*\* Mar. 1, 2011**

(54) **STARTER FOR AN AUTOMOBILE**

(75) Inventor: **Shinji Usami**, Okazaki (JP)

(73) Assignee: **Denso Corporation**, Aichi-ken (JP)

(\*\*) Term: **14 Years**

(21) Appl. No.: **29/299,429**

(22) Filed: **Dec. 26, 2007**

(51) **LOC (9) Cl.** ..... **15-01**

(52) **U.S. Cl.** ..... **D15/5**

(58) **Field of Classification Search** ..... D15/1,  
D15/3-5; 123/179.1, 179.2; 290/38 R, 36 R;  
310/89

See application file for complete search history.

(56) **References Cited**

**U.S. PATENT DOCUMENTS**

D257,147 S \* 9/1980 Mescheder ..... D15/5

\* cited by examiner

*Primary Examiner*—Lisa P Lichtenstein

(74) *Attorney, Agent, or Firm*—Sheridan Ross P.C.

(57) **CLAIM**

The ornamental design for a starter for an automobile, as shown and described.

**DESCRIPTION**

FIG. 1 is a front perspective view of a starter for an automobile showing my new design;

FIG. 2 is a rear perspective view thereof;

FIG. 3 is a front view thereof;

FIG. 4 is a rear view thereof;

FIG. 5 is a top plan view thereof;

FIG. 6 is a bottom plan view thereof;

FIG. 7 is a right elevation view thereof;

FIG. 8 is a left elevation view thereof;

FIG. 9 is a front perspective view of a starter for an automobile according to a second embodiment of the present design;

FIG. 10 is a rear perspective view thereof;

FIG. 11 is a front view thereof;

FIG. 12 is a rear view thereof;

FIG. 13 is a top plan view thereof;

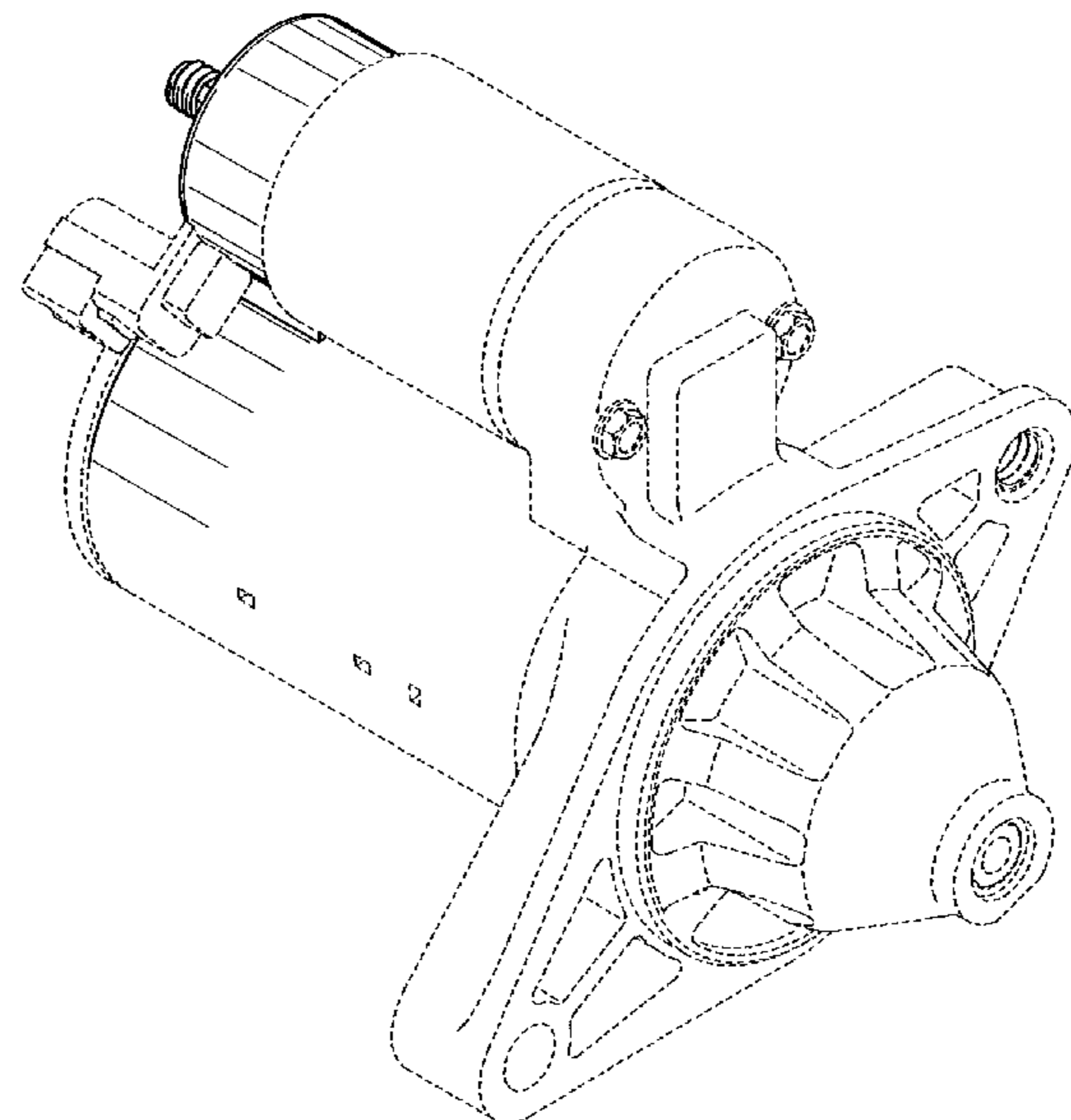
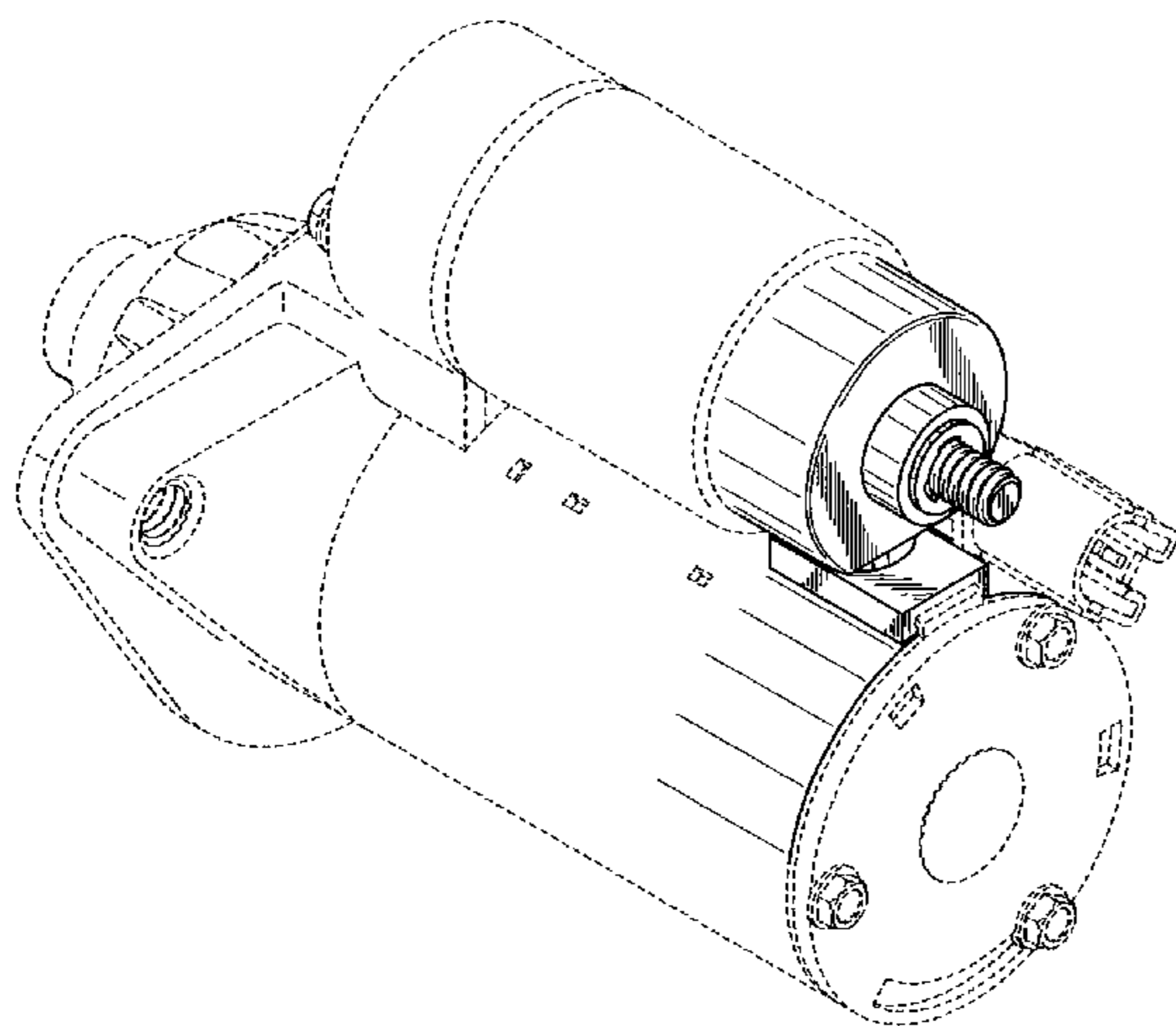
FIG. 14 is a bottom plan view thereof;

FIG. 15 is a right elevation view thereof; and,

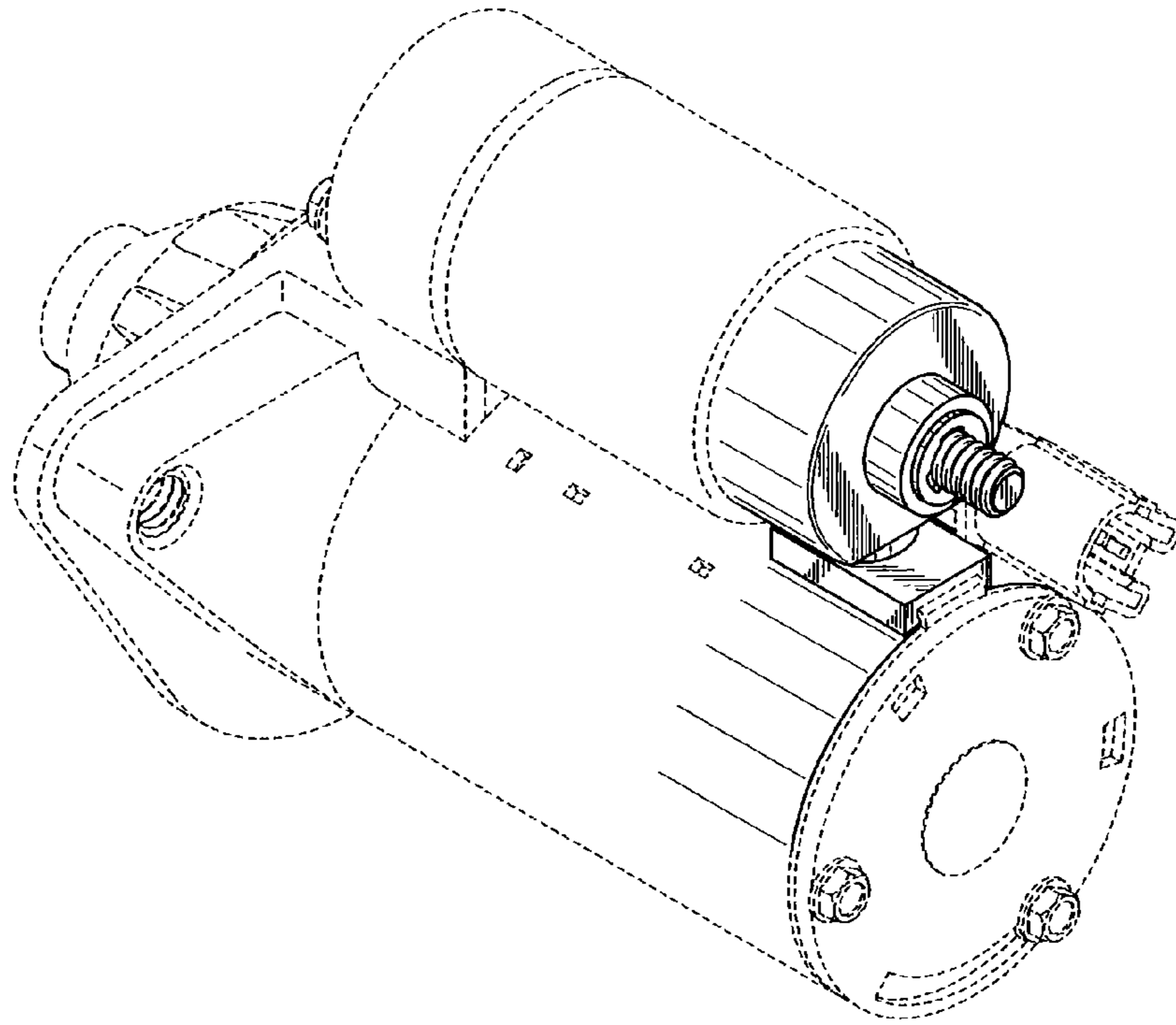
FIG. 16 is a left elevation view thereof.

The broken line showing of portions of a starter for an automobile is included for the purpose of illustrating environmental structure and forms no part of the claimed design.

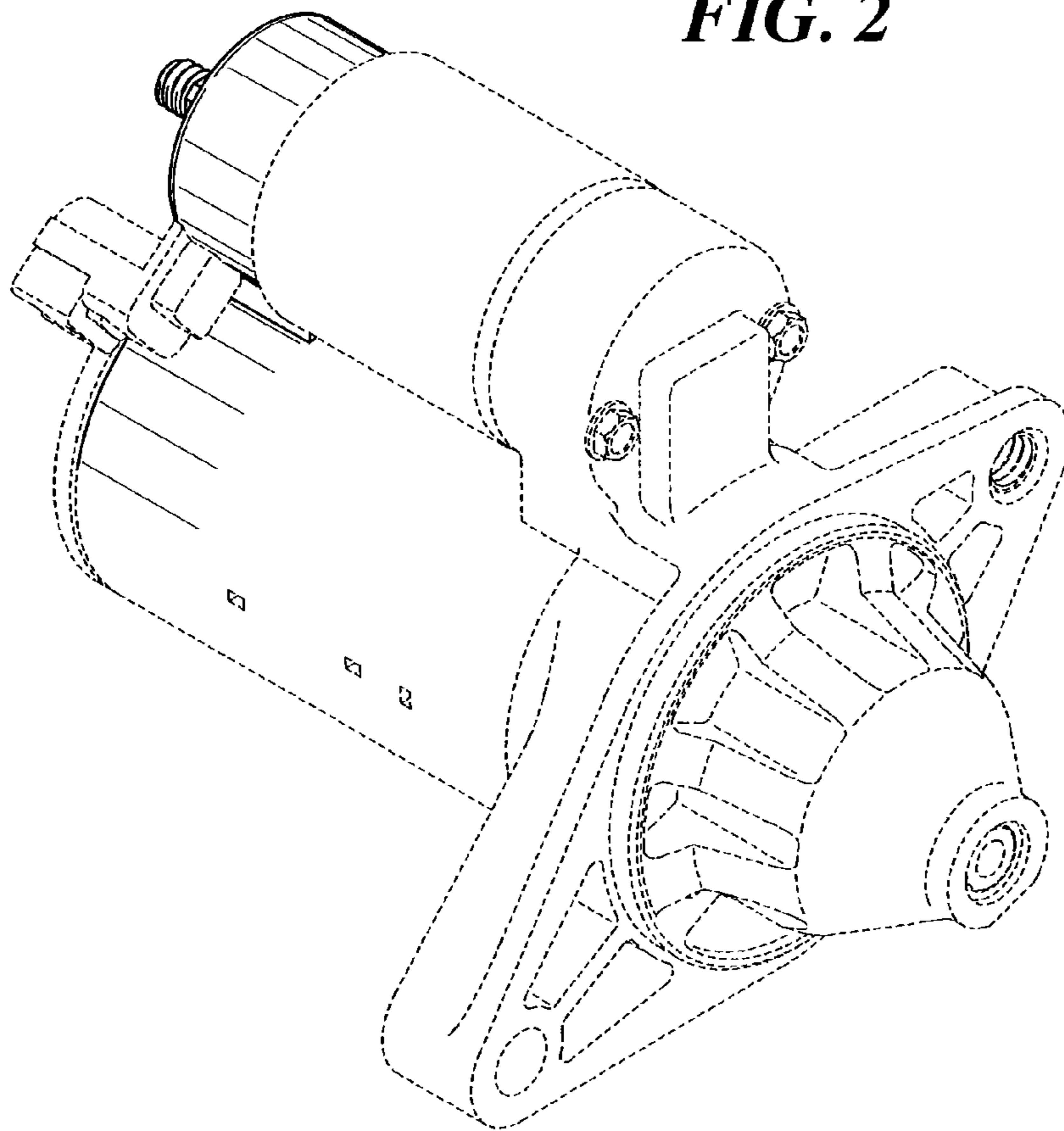
**1 Claim, 8 Drawing Sheets**



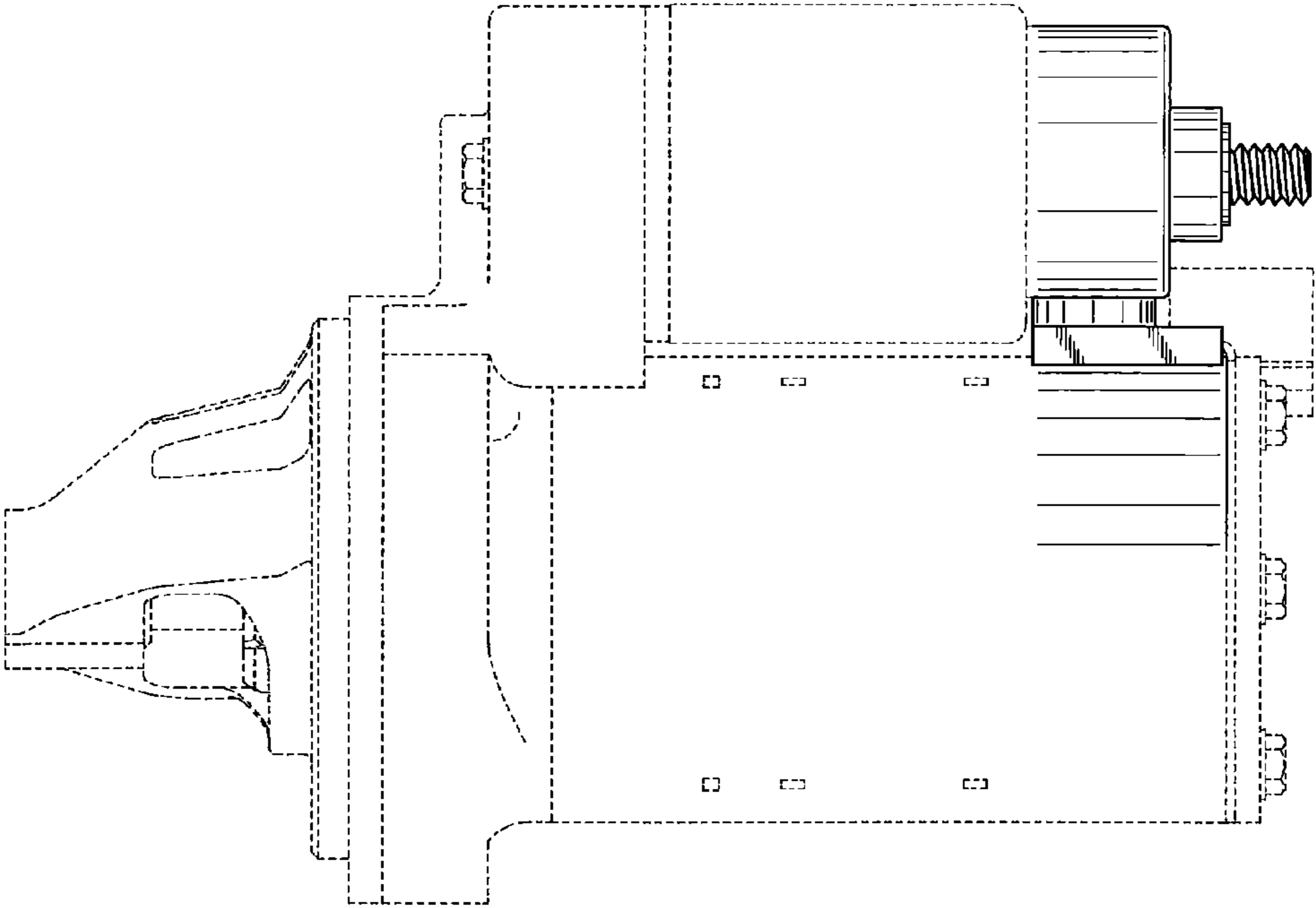
**FIG. 1**



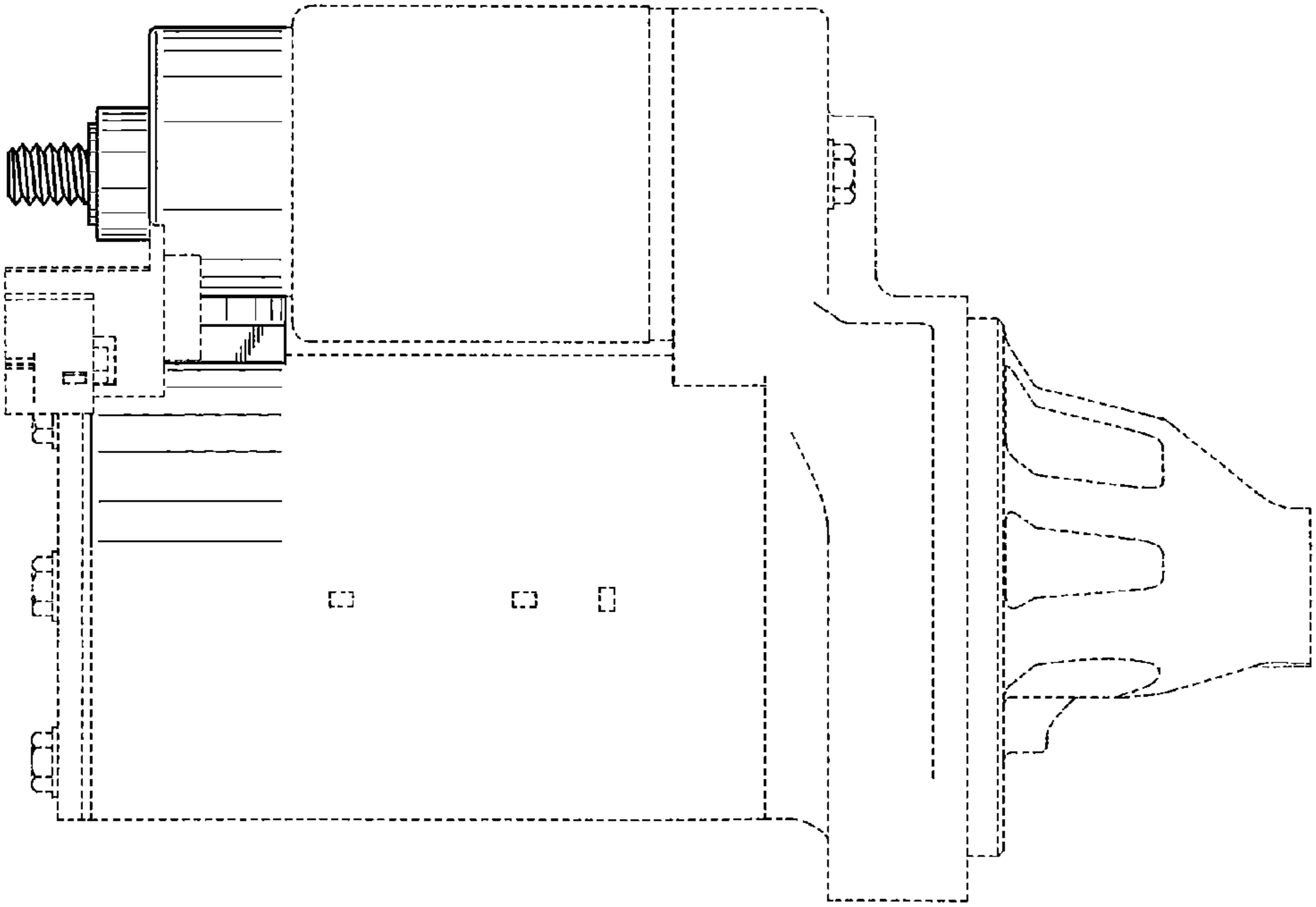
**FIG. 2**



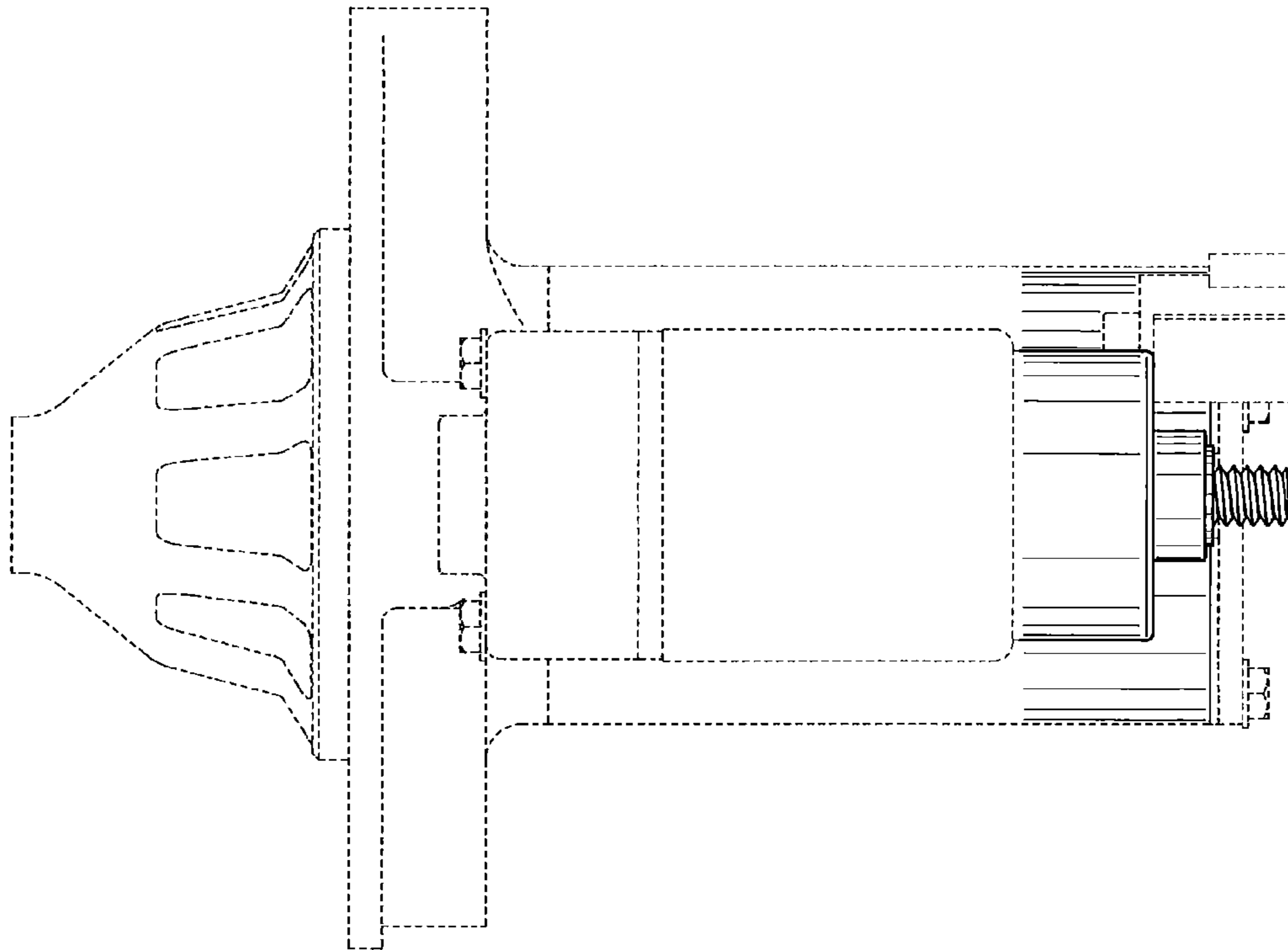
**FIG. 3**



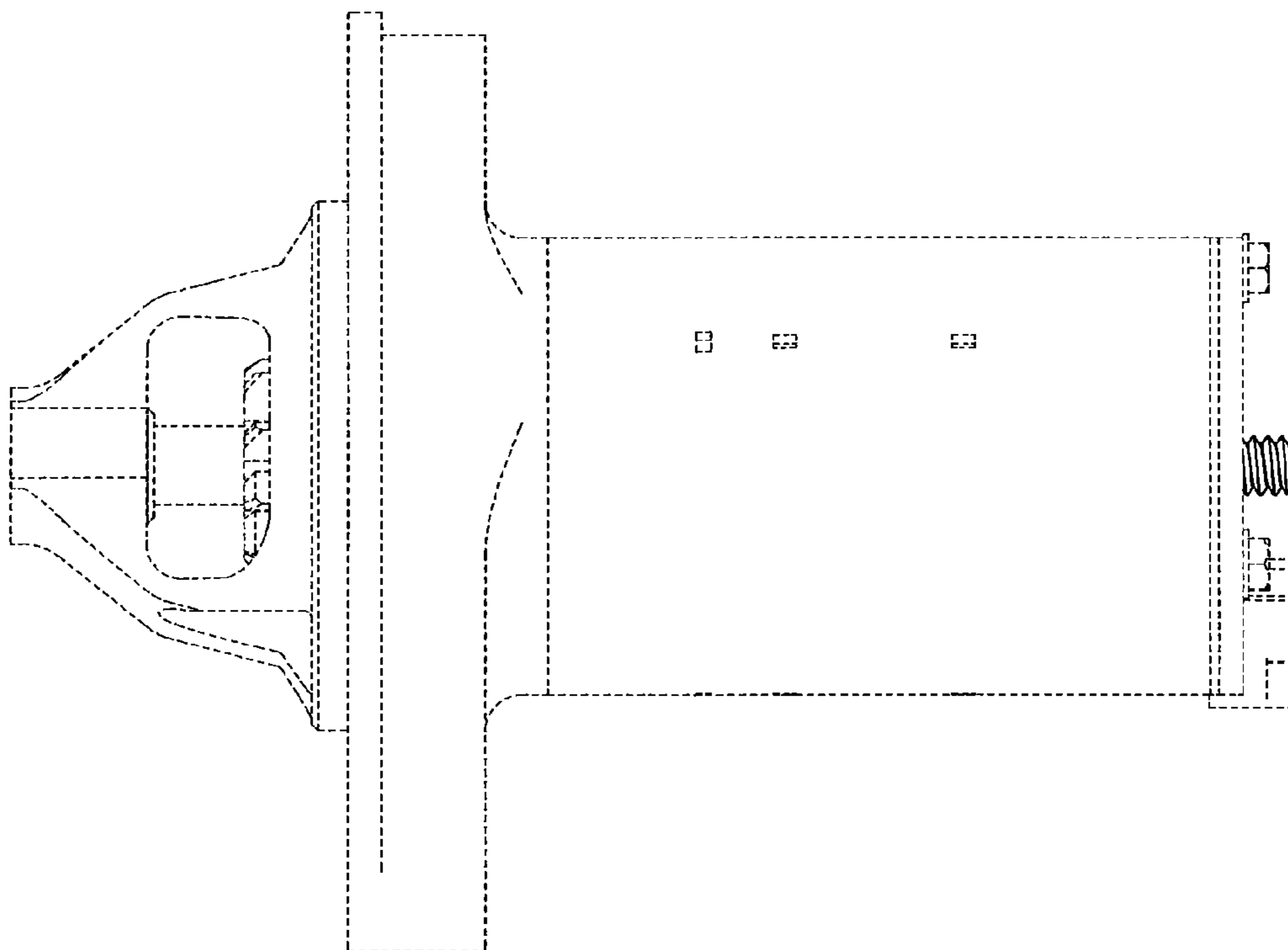
**FIG. 4**



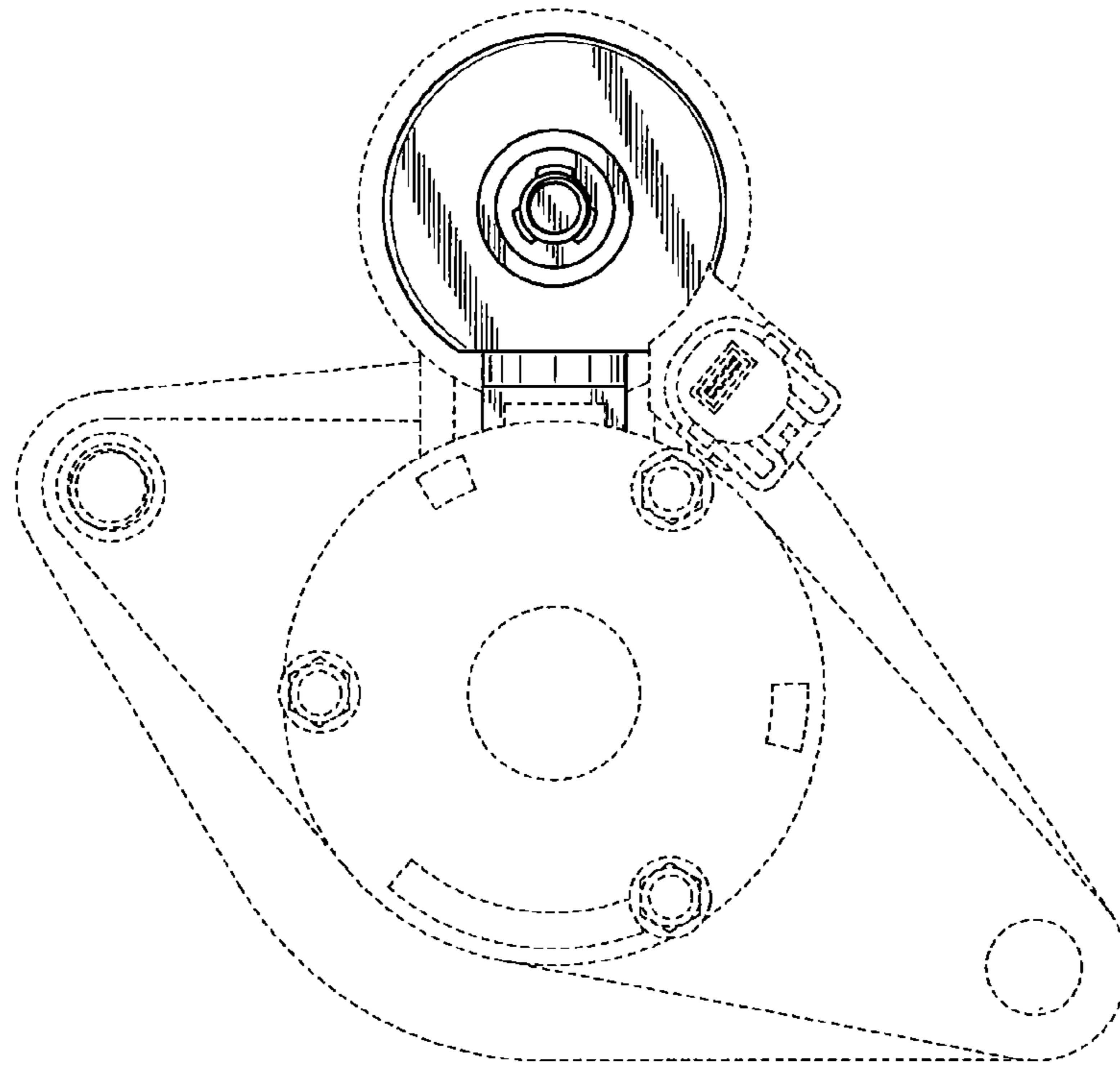
**FIG. 5**



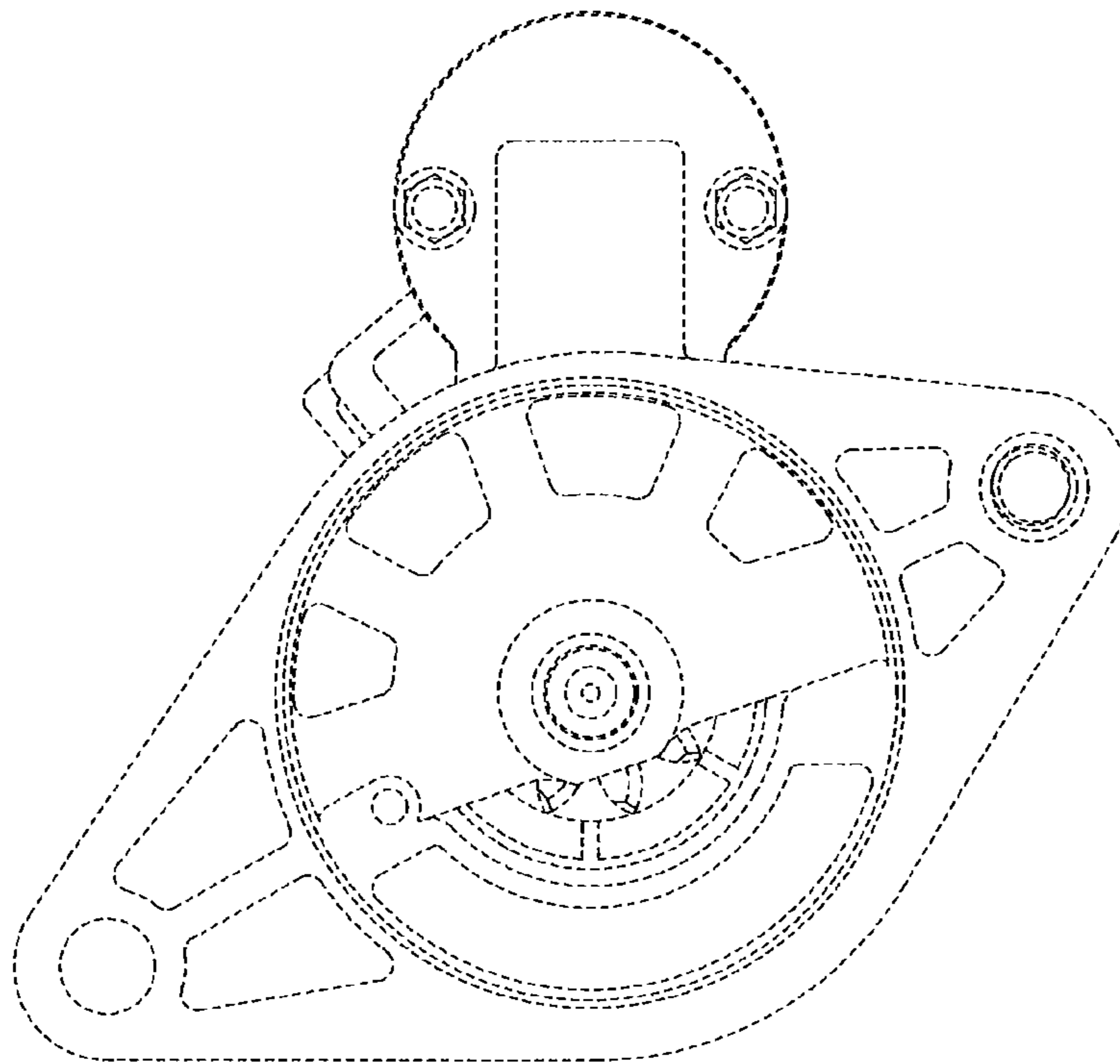
**FIG. 6**



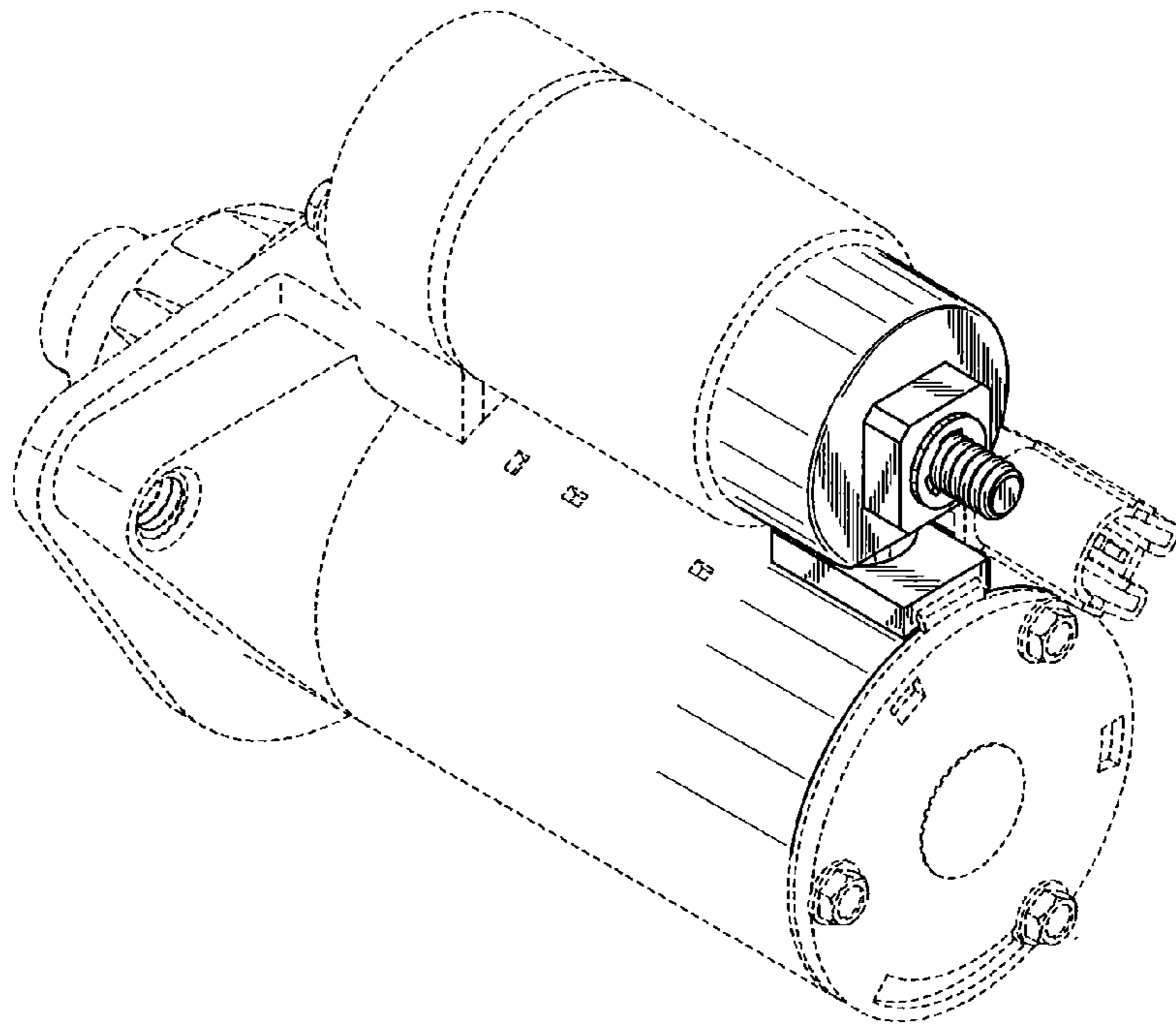
**FIG. 7**



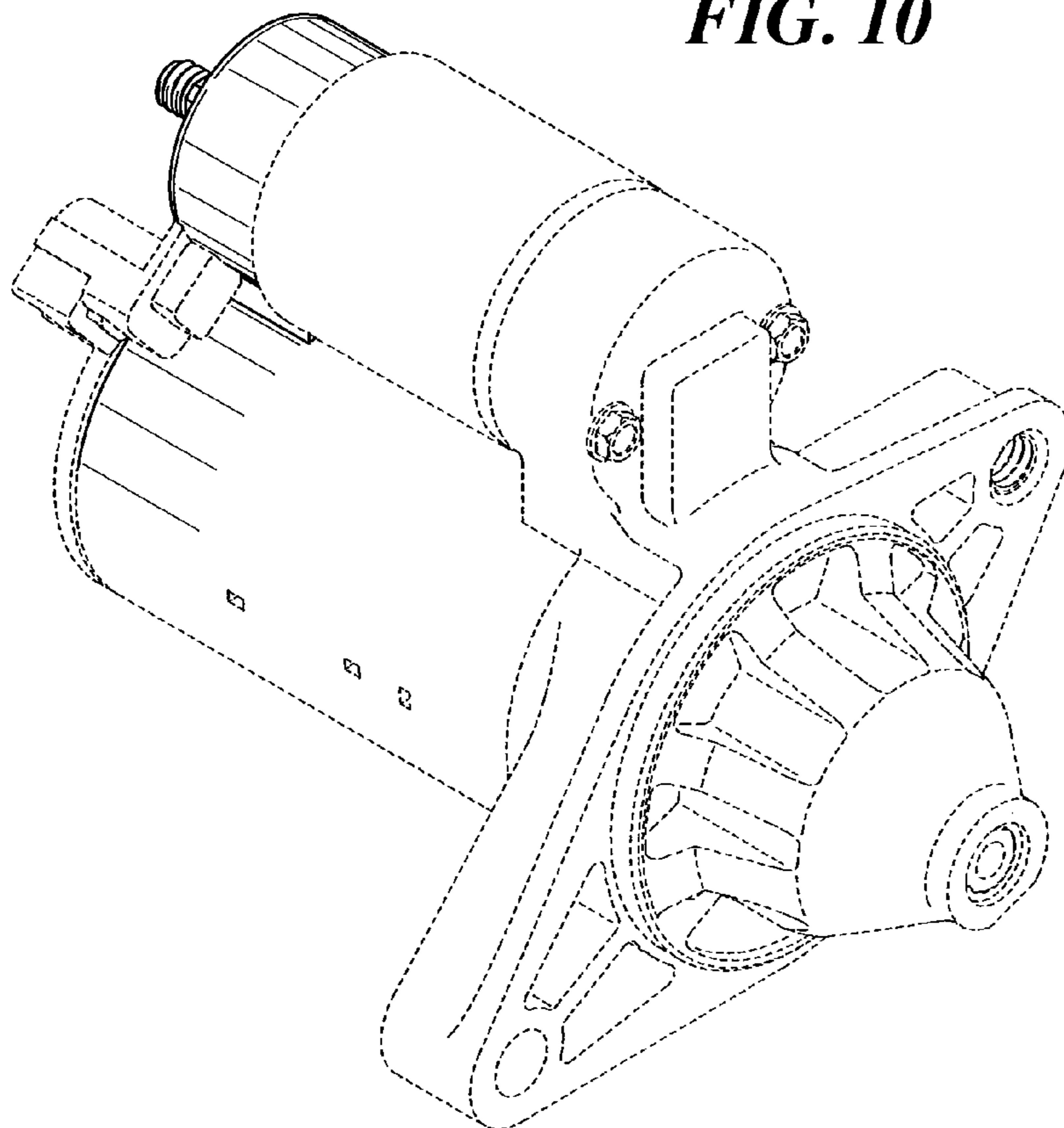
**FIG. 8**



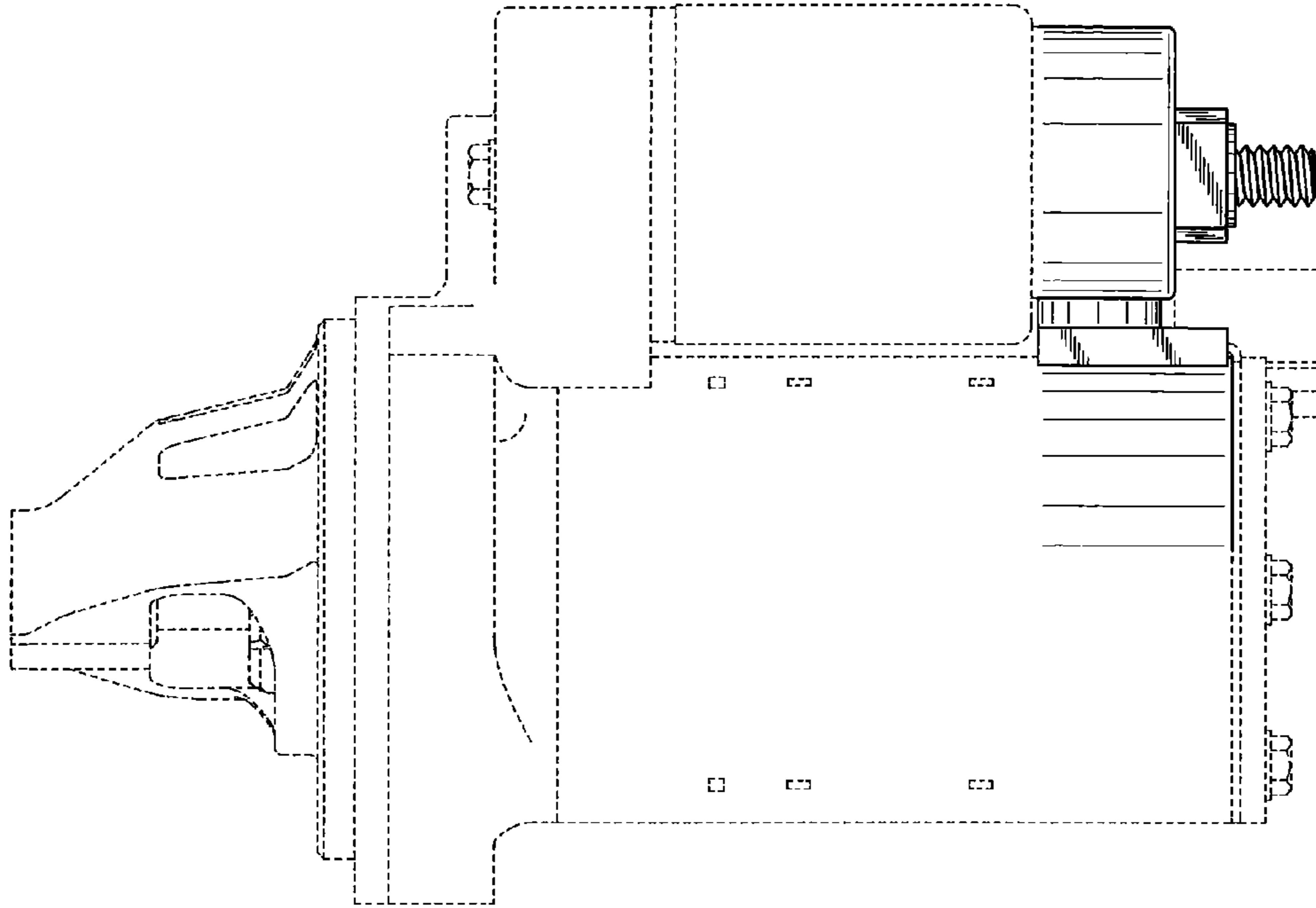
**FIG. 9**



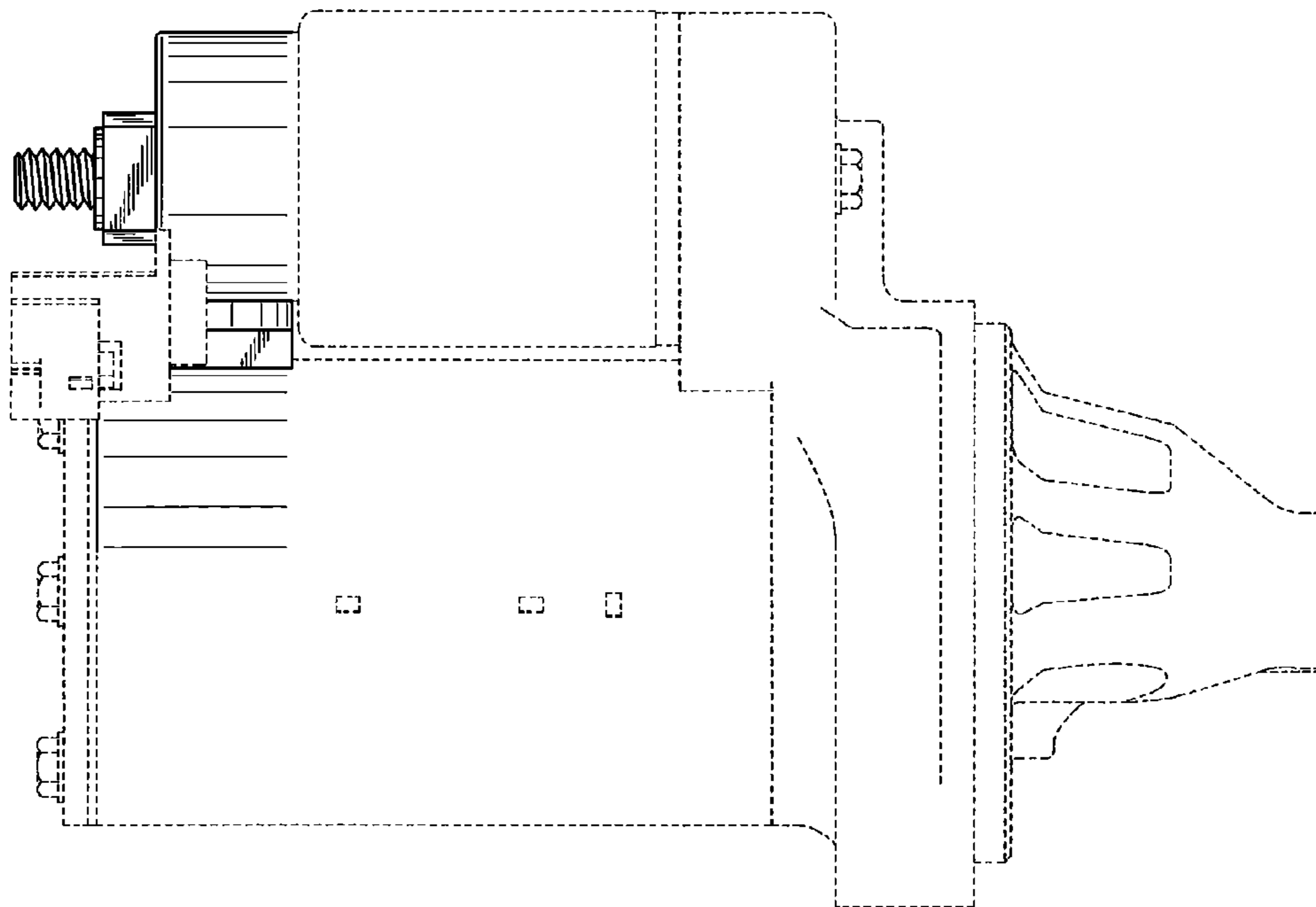
**FIG. 10**



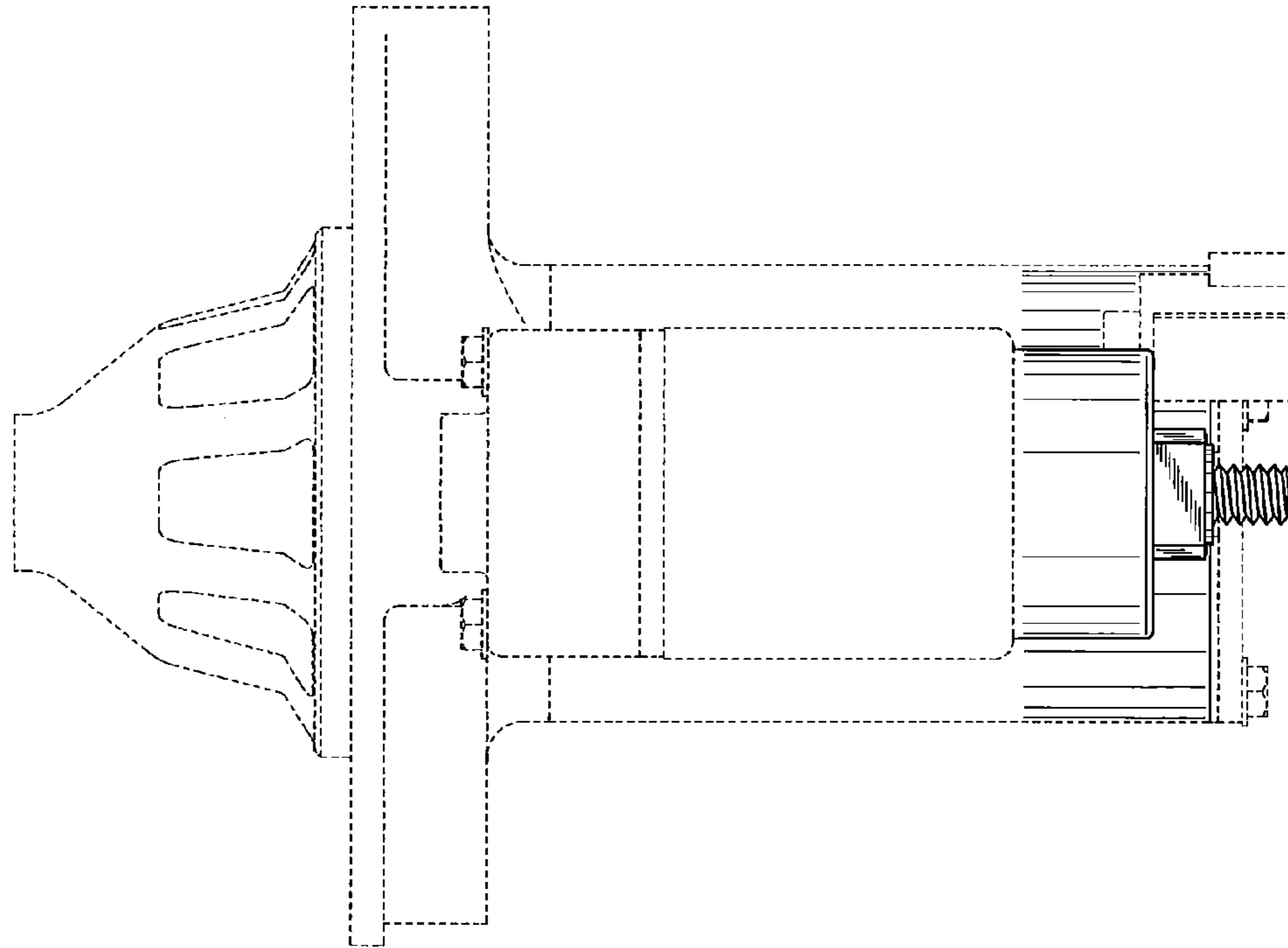
**FIG. 11**



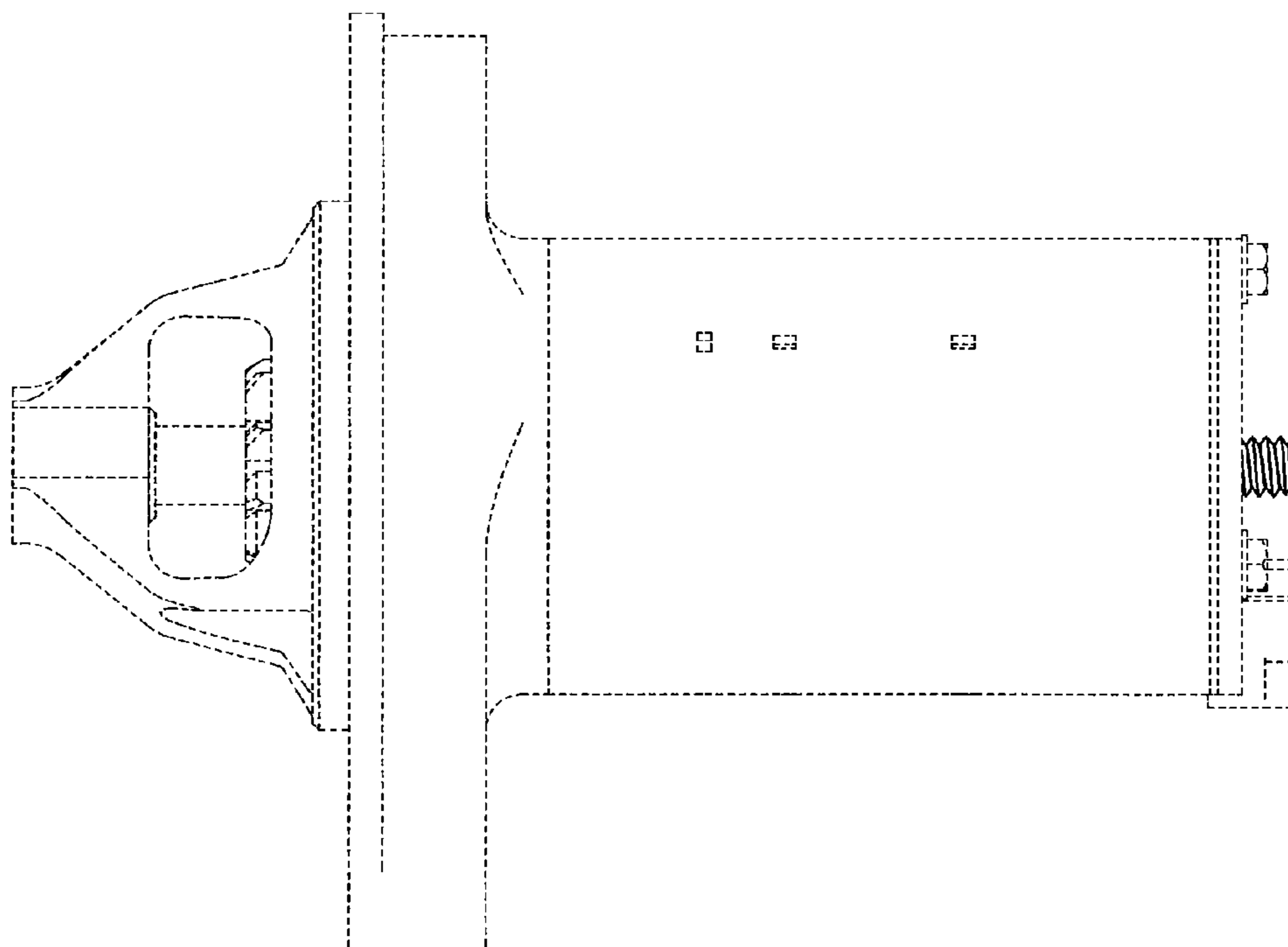
**FIG. 12**



**FIG. 13**

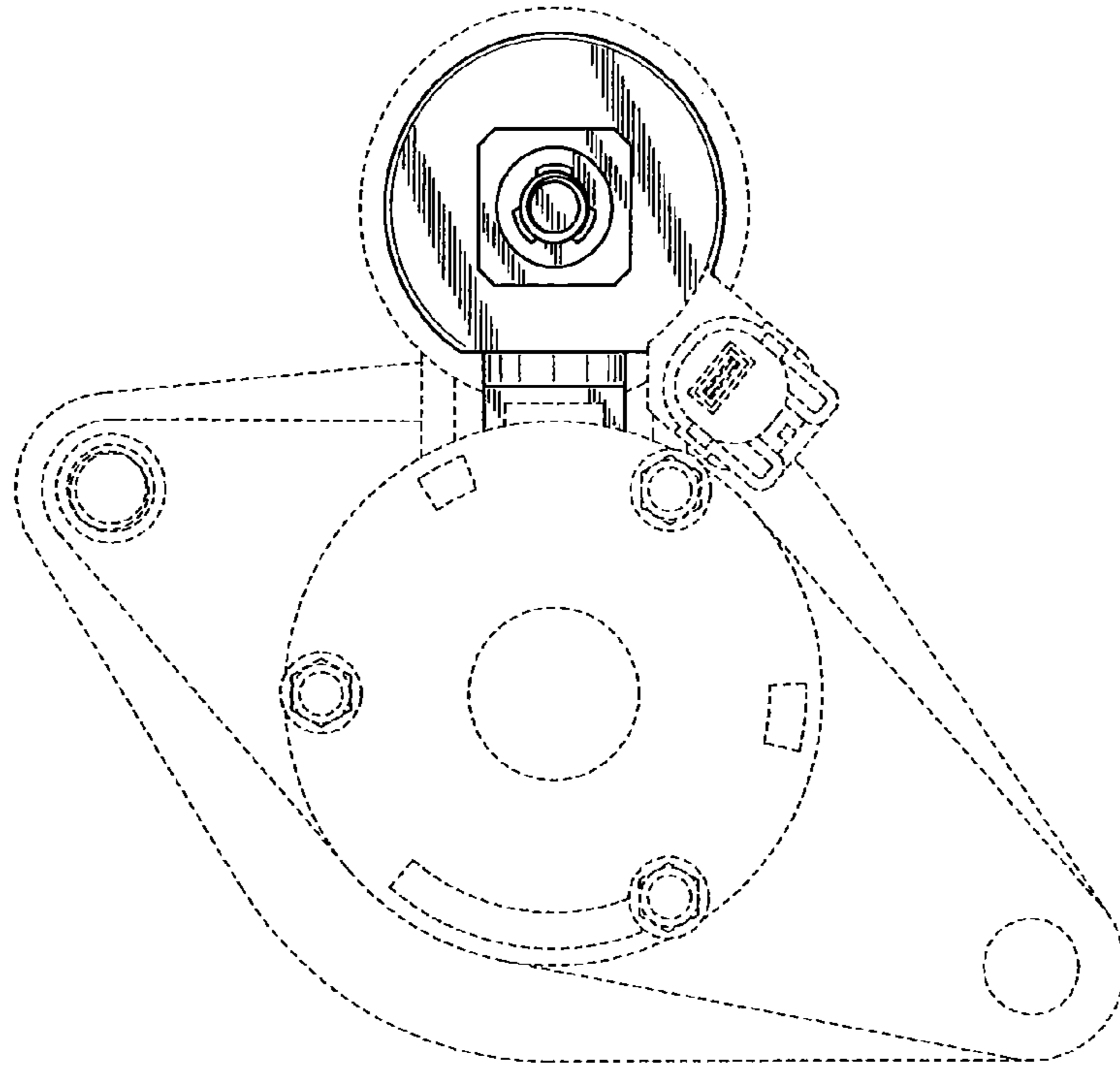


**FIG. 14**





**FIG. 15**



**FIG. 16**

