

US00D633509S

(12) **United States Design Patent**
Oda et al.

(10) **Patent No.:** **US D633,509 S**
(45) **Date of Patent:** **** Mar. 1, 2011**

(54) **ELECTRONIC CAMERA**

(75) Inventors: **Akemi Oda**, Tokyo (JP); **Chinatsu Watanabe**, Tokyo (JP); **Yuuki Okabe**, Tokyo (JP); **Atsushi Misawa**, Saitama (JP)

(73) Assignee: **Fujifilm Corporation**, Tokyo (JP)

(**) Term: **14 Years**

(21) Appl. No.: **29/363,591**

(22) Filed: **Jun. 11, 2010**

Related U.S. Application Data

(62) Division of application No. 29/350,551, filed on Nov. 18, 2009, now Pat. No. Des. 622,729, which is a division of application No. 29/274,033, filed on Mar. 22, 2007, now Pat. No. Des. 609,714.

(51) **LOC (9) Cl.** **32-00**

(52) **U.S. Cl.** **D14/485**

(58) **Field of Classification Search** D14/485-495; D18/24-33; D19/6, 52; D20/11; D21/324-333; 715/700-867, 973-977; 345/757, 782, 848, 345/852, 850, 809, 837, 798, 752, 163, 156, 345/537, 474, 836, 419, 649, 656, 659, 426, 345/427, 582, 428, 440, 660, 634, 902, 418, 345/629, 700, 744, 747, 473, 60; 705/10, 705/5; 709/223; 348/207.1, E5.024, E5.042, 348/E5.047, 333.12, 333.02, 333.01, 373, 348/207.11, 207.2, 211.1, 376, 231.99, 323, 348/333.05, 231.5, E5.045, E5.055, 333.11; 396/299, 291, 311; 710/35, 36, 38; D16/220
See application file for complete search history.

(56) **References Cited**

U.S. PATENT DOCUMENTS

5,235,380 A * 8/1993 Yamada et al. 396/289
5,530,795 A 6/1996 Wan
5,708,786 A 1/1998 Teruuchi
5,727,174 A 3/1998 Aparicio et al.

5,754,230 A 5/1998 Tsuruta
5,862,419 A 1/1999 Goto et al.
5,903,309 A 5/1999 Anderson
5,920,313 A 7/1999 Diedrichsen et al.
5,986,703 A 11/1999 O'Mahony
6,006,038 A * 12/1999 Kosako 396/29
D423,484 S 4/2000 Dangelmaier et al.

(Continued)

FOREIGN PATENT DOCUMENTS

JP 2000066281 A * 3/2000

(Continued)

Primary Examiner—Susan Moon Lee

(74) *Attorney, Agent, or Firm*—Young & Thompson

(57) **CLAIM**

The ornamental design for an electronic camera, as shown.

DESCRIPTION

FIG. 1 is a front view of an electronic camera according to a first embodiment of the present design;

FIG. 2 is a rear view thereof;

FIG. 3 is a top view thereof;

FIG. 4 is a bottom view thereof;

FIG. 5 is a right side view thereof; and

FIG. 6 is a left side view thereof.

FIG. 7 is a front view of the electronic camera according to a second embodiment of the present design;

FIG. 8 is a rear view thereof;

FIG. 9 is a top view thereof;

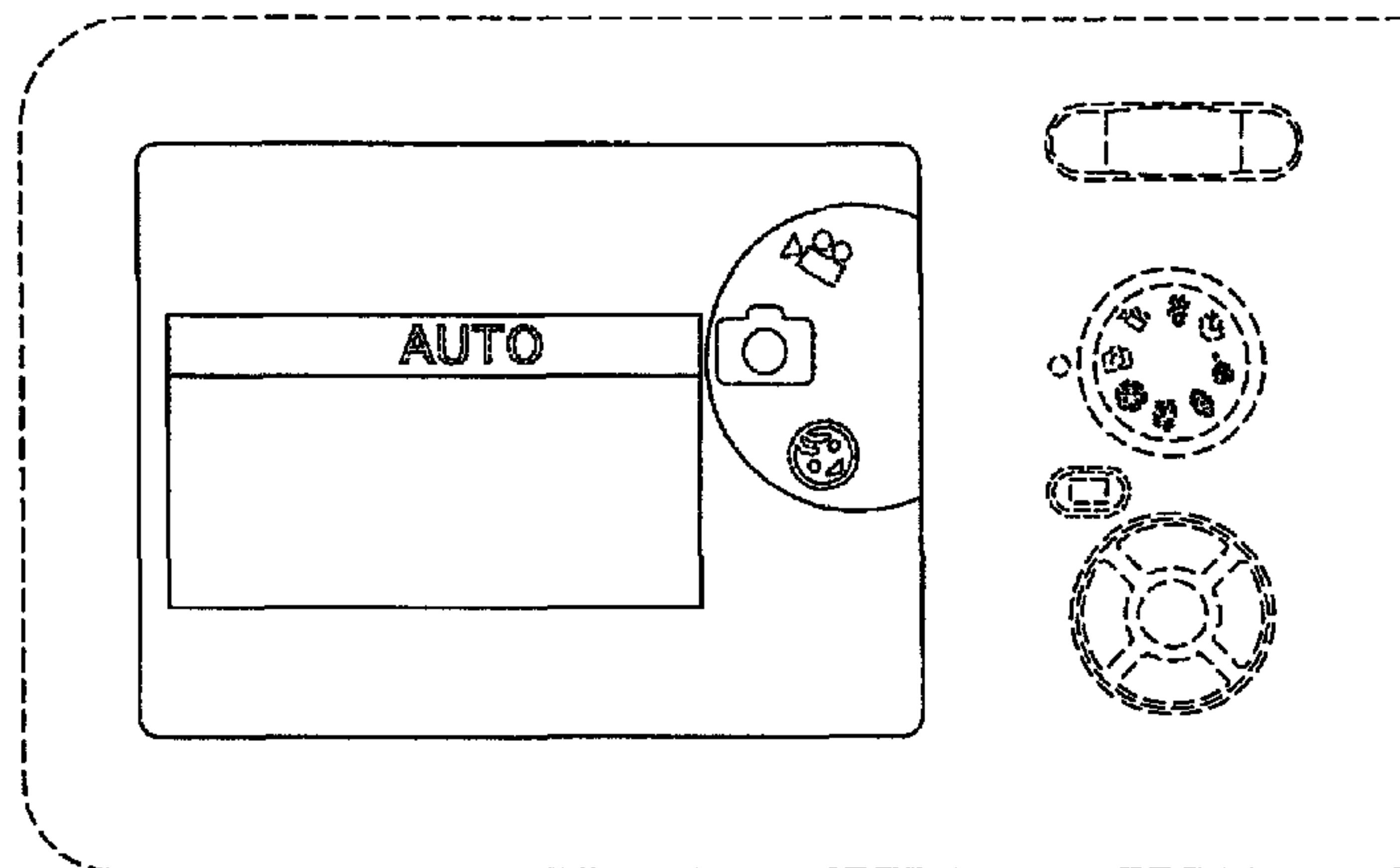
FIG. 10 is a bottom view thereof;

FIG. 11 is a right side view thereof; and,

FIG. 12 is a left side view thereof.

The portions shown in broken line are not claimed.

1 Claim, 6 Drawing Sheets



US D633,509 S

U.S. PATENT DOCUMENTS			FOREIGN PATENT DOCUMENTS		
		2005/0001902 A1		1/2005	Brogan et al.
		2005/0024515 A1		2/2005	Ikehata et al.
		2005/0083406 A1		4/2005	Cozier
6,542,168 B2	4/2003	Negishi		4/2005	Cozier et al.
6,549,304 B1 *	4/2003	Dow et al. 358/473		9/2005	Kim et al.
6,597,358 B2	7/2003	Miller		9/2005	Karasaki et al.
6,636,264 B1	10/2003	Nakao et al.		10/2005	Stavelly et al.
6,654,559 B2	11/2003	Aoyama		10/2005	Ikehata
6,075,531 A	6/2000	DeStefano		10/2005	Parulski et al.
D430,885 S	9/2000	Coleman		10/2005	Watanabe
6,154,210 A *	11/2000	Anderson 715/840		1/2006	Sawachi
6,232,970 B1	5/2001	Bodnar et al.		4/2006	Hong et al.
6,300,951 B1	10/2001	Filetto et al.		5/2006	Kelly
6,310,648 B1	10/2001	Miller et al.		5/2006	Scott
6,313,877 B1 *	11/2001	Anderson 348/333.05		5/2006	Lee
6,411,337 B2	6/2002	Cove et al.		5/2006	Park et al.
6,680,749 B1	1/2004	Anderson et al.		7/2006	Abe et al.
6,683,653 B1	1/2004	Miyake et al.		8/2006	Watanabe et al.
D496,370 S	9/2004	Gildred		10/2006	Terada
6,829,009 B2	12/2004	Sugimoto		2/2007	Matsuda et al.
D501,211 S	1/2005	Ligameri et al.		3/2007	Bae et al.
6,870,567 B2 *	3/2005	Funston et al. 348/333.04		3/2007	Hara et al.
6,919,927 B1	7/2005	Hyodo		3/2007	Yang et al.
6,996,783 B2	2/2006	Brown et al.		4/2007	Hayashi
7,034,881 B1	4/2006	Hyodo et al.		6/2007	Yang
7,057,658 B1	6/2006	Shioji et al.		7/2007	Ayaki
7,061,535 B2	6/2006	Misawa et al.		8/2007	Inukai
7,110,032 B2	9/2006	Furukawa		9/2007	Humpoletz et al.
7,265,786 B2	9/2007	Venturino et al.		11/2007	Fedorovskaya et al.
7,265,851 B2	9/2007	Kinjo et al.		11/2007	Misawa et al.
7,274,400 B2	9/2007	Hyodo et al.		3/2008	Yumiki
7,298,409 B1	11/2007	Misawa		3/2008	Sako et al.
7,317,479 B2	1/2008	Cazier et al.		3/2008	Nam
7,317,485 B1	1/2008	Miyake et al.		3/2008	Kusaka
7,319,490 B2	1/2008	Kanamori et al.		3/2008	Nimura
7,430,008 B2	9/2008	Ambiru et al.		5/2008	Kokubun
7,450,169 B2	11/2008	Jeon et al.		7/2008	Kojima et al. 348/333.01
7,479,984 B2	1/2009	Tanaka et al.		7/2008	Kawakami 396/155
7,480,873 B2	1/2009	Kawahara		7/2008	Kawakami
7,515,190 B2	4/2009	Kobayashi et al.		9/2008	Pan et al. 348/333.02
7,576,779 B2	8/2009	Tanaka et al.		10/2008	Kusaka et al. 348/207.1
7,639,300 B2	12/2009	Yumiki		11/2008	Tang 382/118
7,649,563 B2	1/2010	Lee		12/2008	Minatogawa 348/207.1
7,675,530 B2	3/2010	Koresawa et al.		12/2008	Ebato 396/53
7,701,500 B2	4/2010	Aizawa et al.		4/2009	Yoshimaru et al. 348/207.1
2002/0030754 A1	3/2002	Sugimoto		6/2009	Fujii 348/333.12
2002/0080185 A1	6/2002	Boeuf		8/2009	Tomat et al.
2002/0118227 A1	8/2002	Salvatore		10/2009	Kim
2002/0171682 A1	11/2002	Frank et al.		10/2009	Ciurea et al.
2003/0011639 A1	1/2003	Webb		10/2009	Matsumoto
2003/0142143 A1	7/2003	Brown et al.		11/2009	Sogoh et al.
2003/0164856 A1	9/2003	Prager et al.		12/2009	Yamada
2003/0169298 A1	9/2003	Ording		12/2009	Ohyama
2003/0189597 A1	10/2003	Anderson et al.		1/2010	Hattori et al.
2003/0197732 A1	10/2003	Gupta		1/2010	Kuroda
2003/0226115 A1	12/2003	Wall et al.		1/2010	Sugita et al.
2004/0017481 A1	1/2004	Takasumi et al.		2/2010	Yamamoto
2004/0017499 A1	1/2004	Ambiru		3/2010	Sato
2004/0032522 A1	2/2004	Koeda et al.		3/2010	Ueda et al.
2004/0046886 A1	3/2004	Ambiru et al.		3/2010	Sogoh et al.
2004/0046887 A1	3/2004	Ikehata et al.			
2004/0051803 A1 *	3/2004	Venturino et al. 348/333.02			
2004/0201679 A1	10/2004	Carcia			
2004/0227835 A1	11/2004	Seki			
2004/0239792 A1	12/2004	Shibutani et al.			
2004/0255254 A1	12/2004	Weingart et al.			

JP 2004112790 A * 4/2004

* cited by examiner

FIG. 1

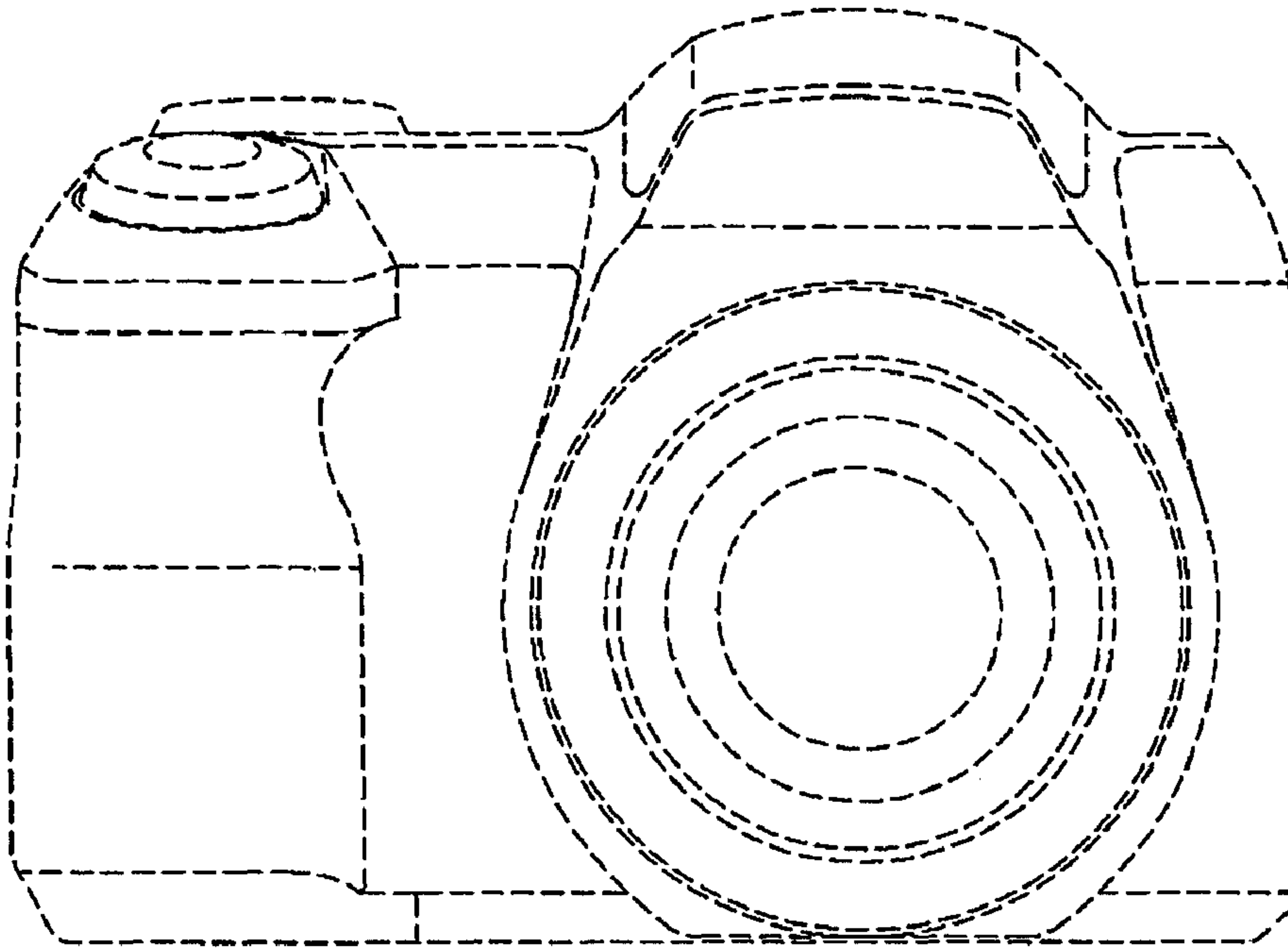


FIG. 2

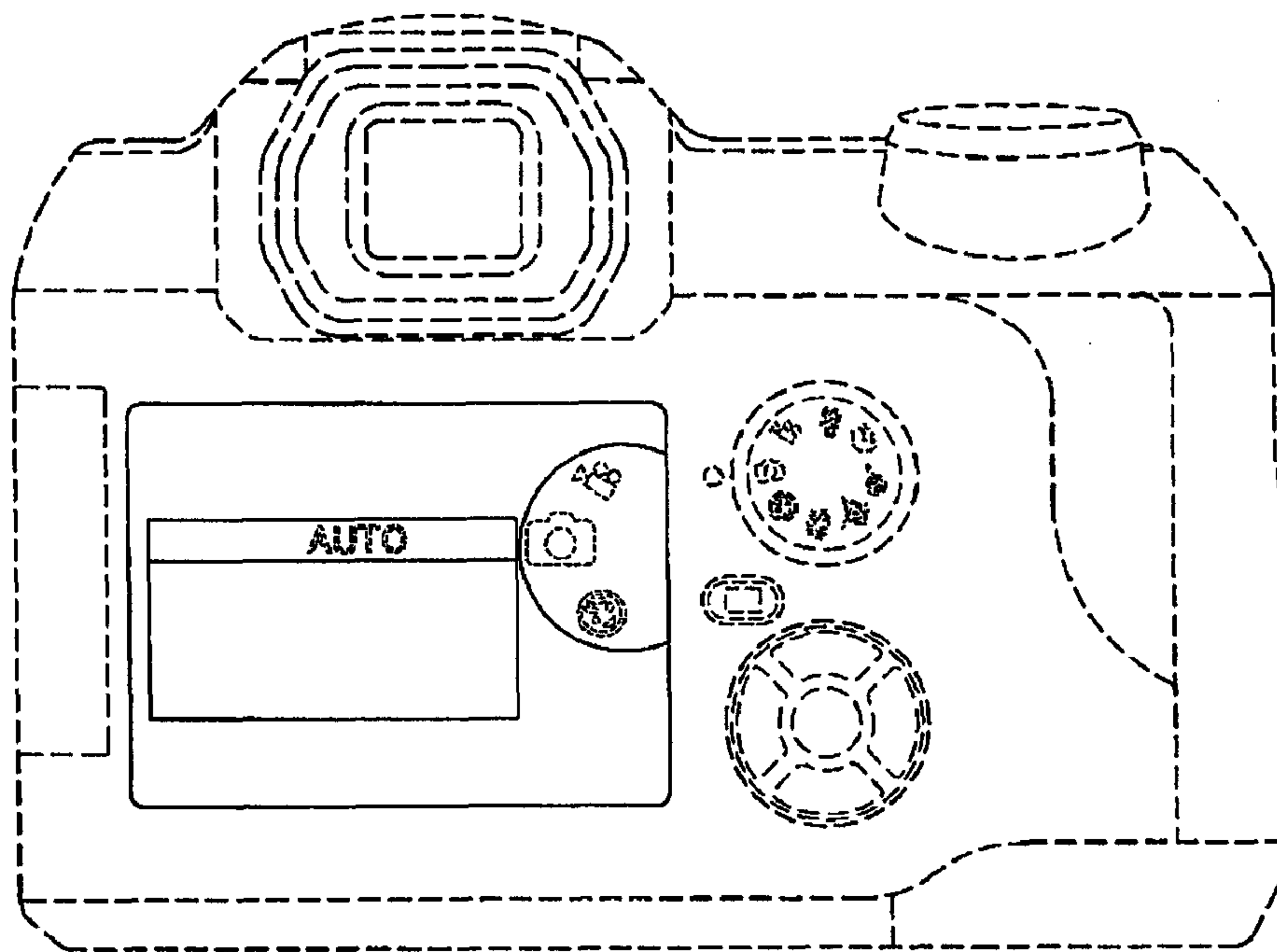


FIG. 3

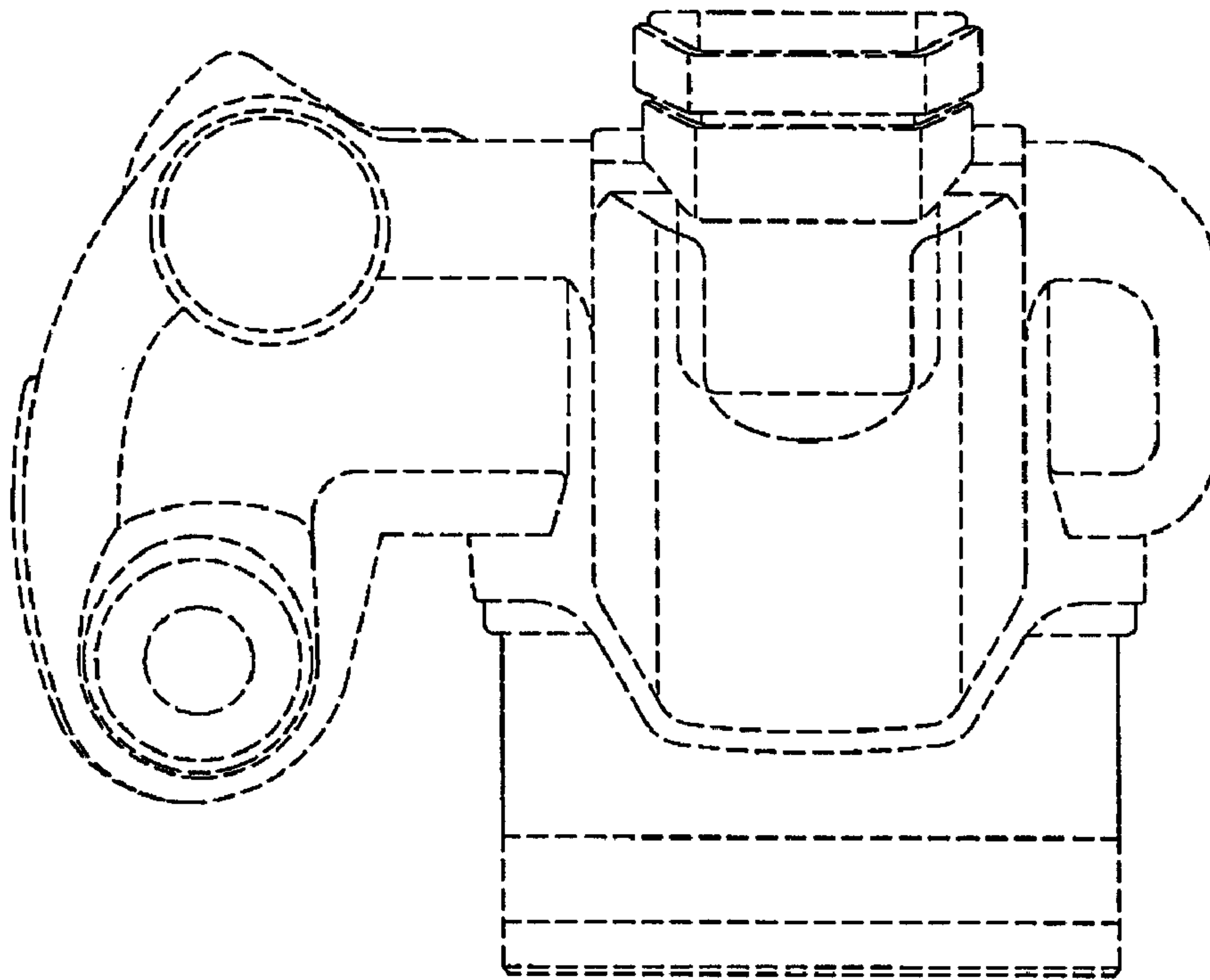


FIG. 4

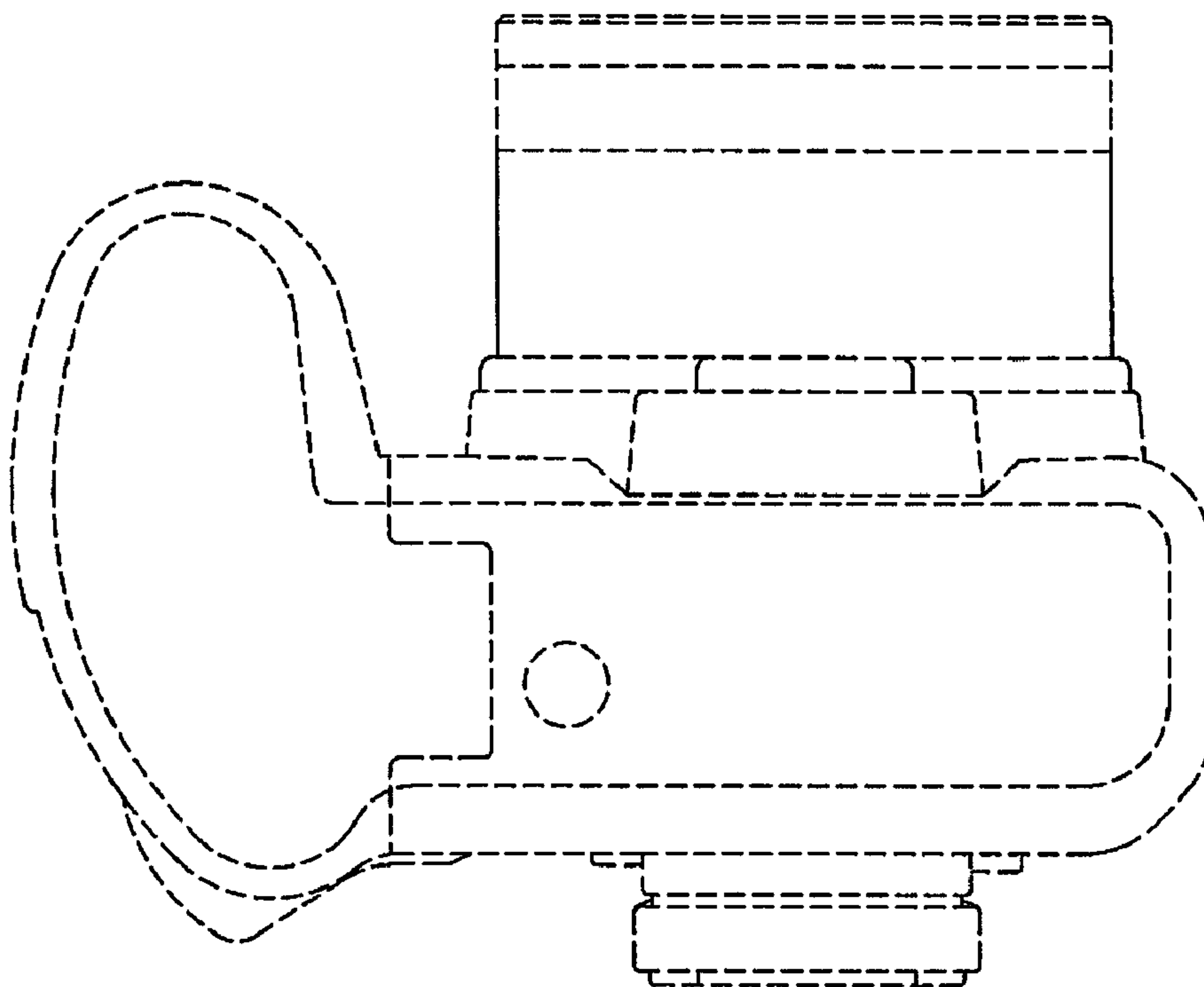


FIG. 5

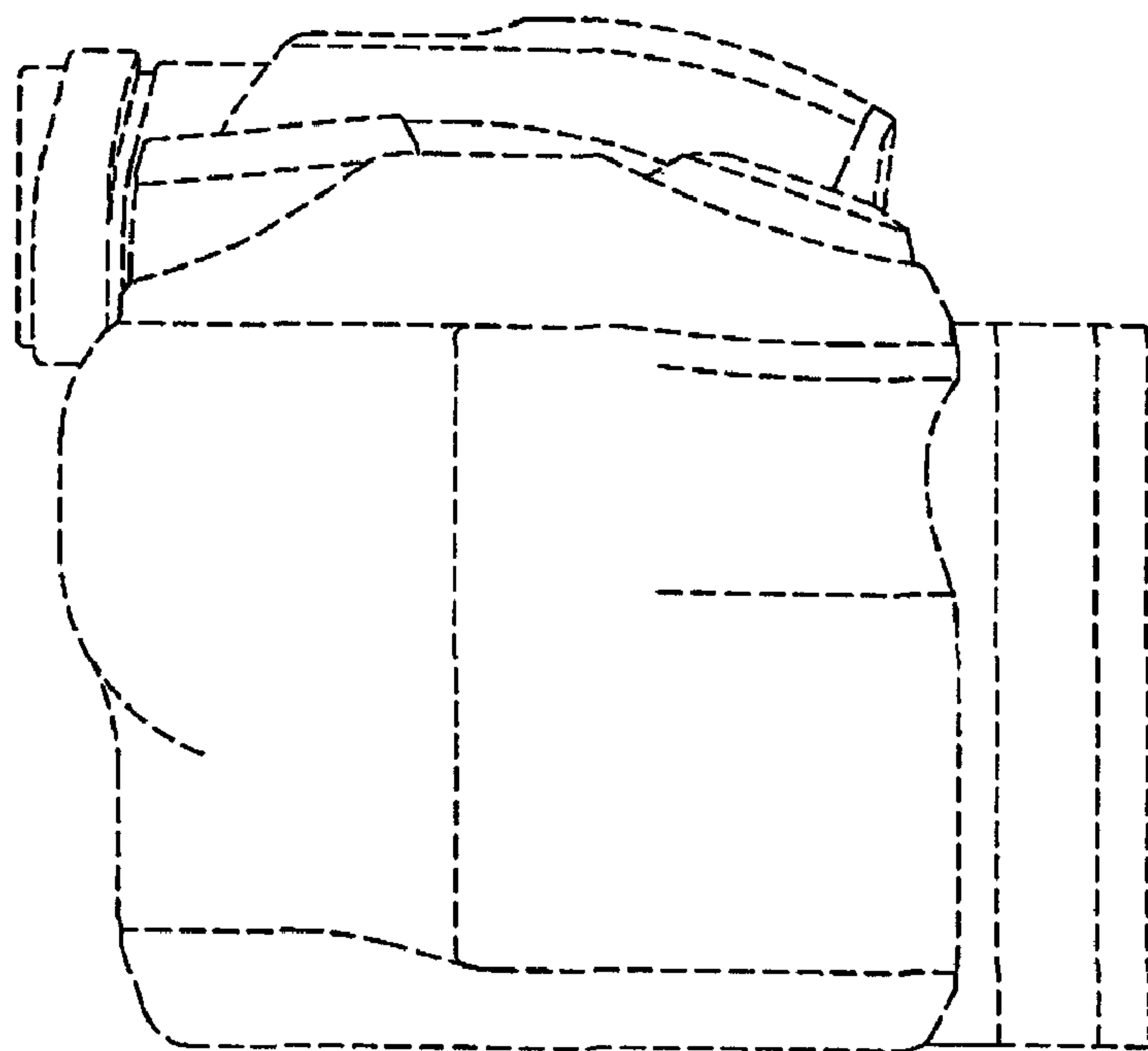


FIG. 6

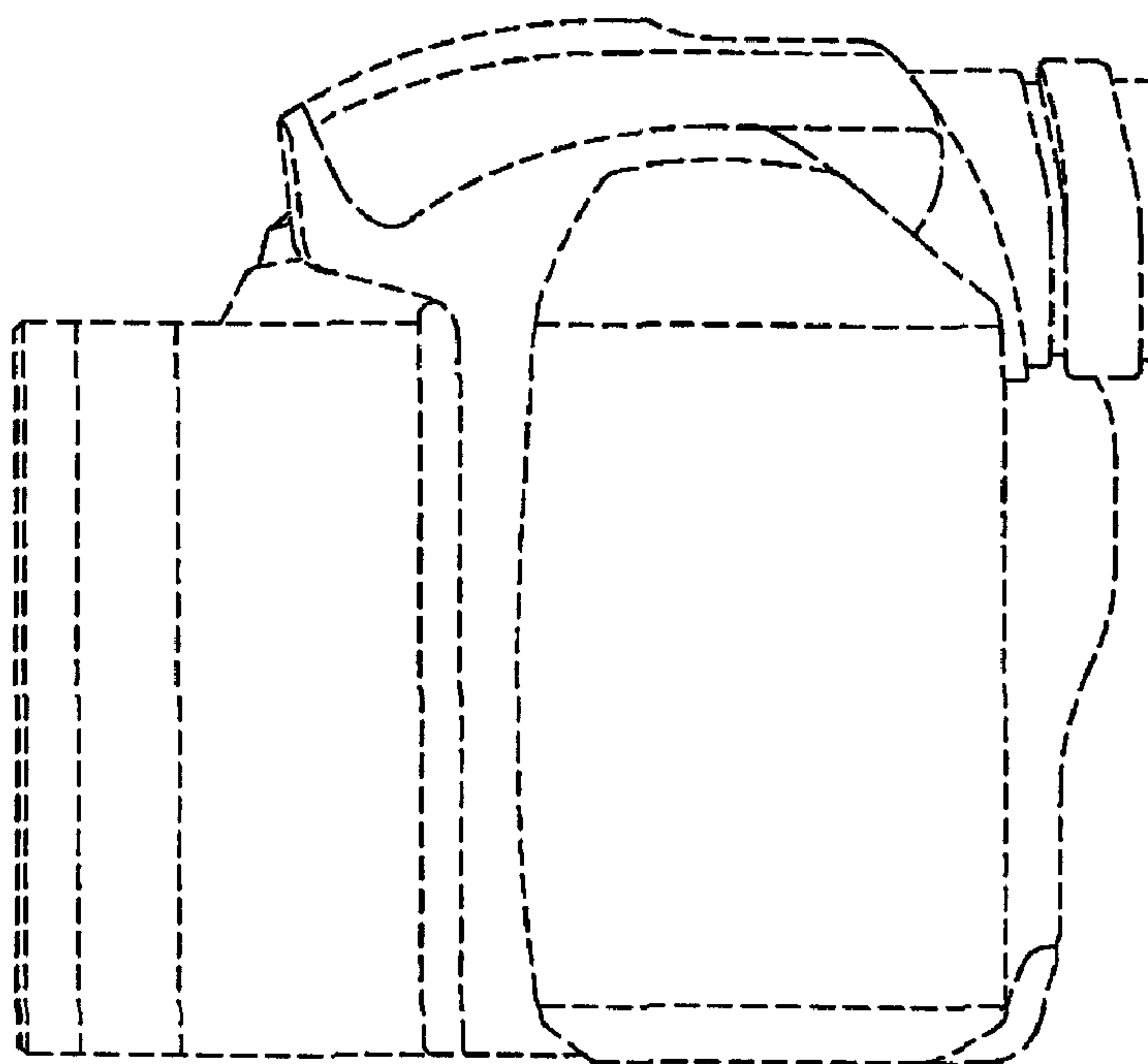


FIG. 7

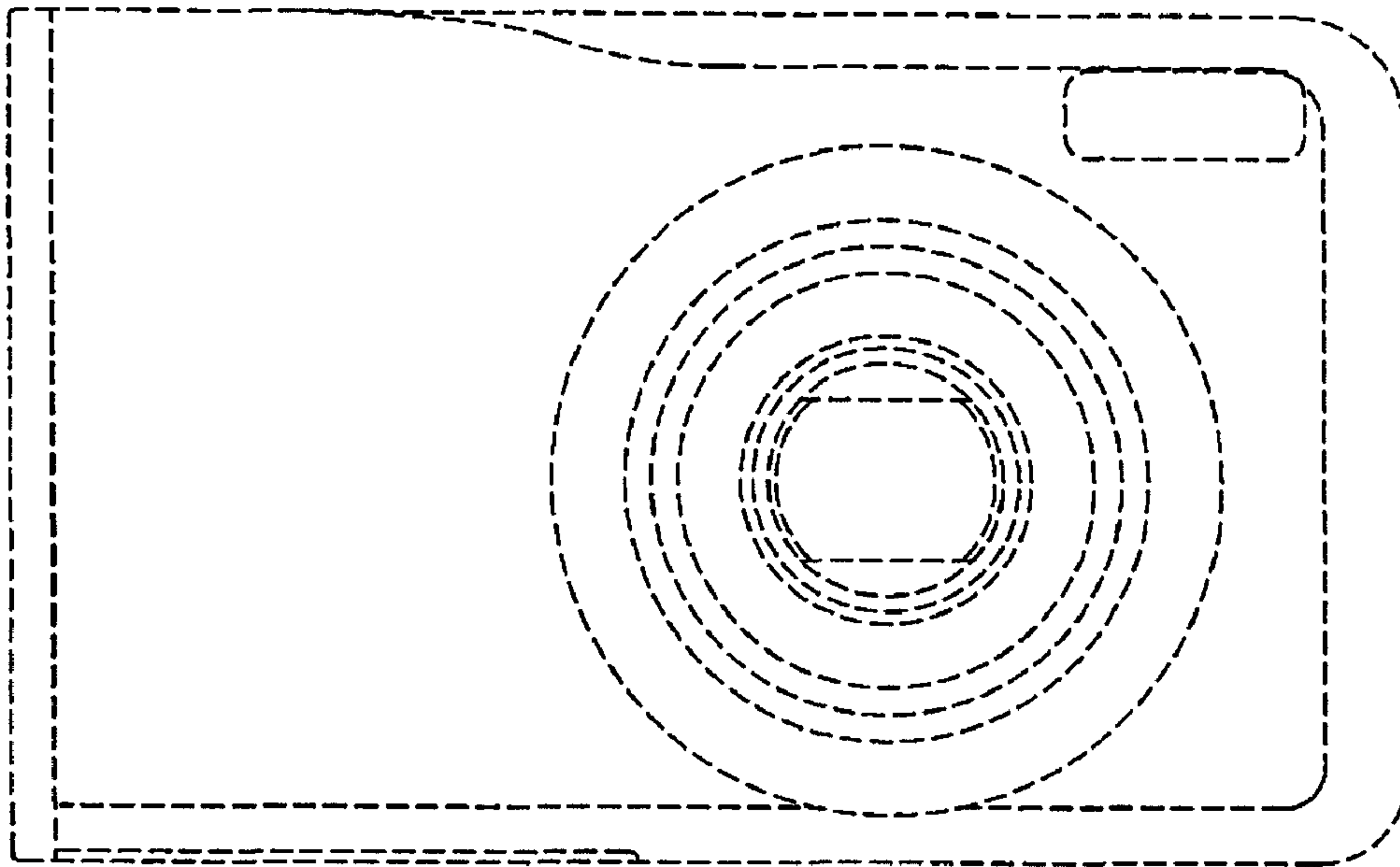


FIG. 8

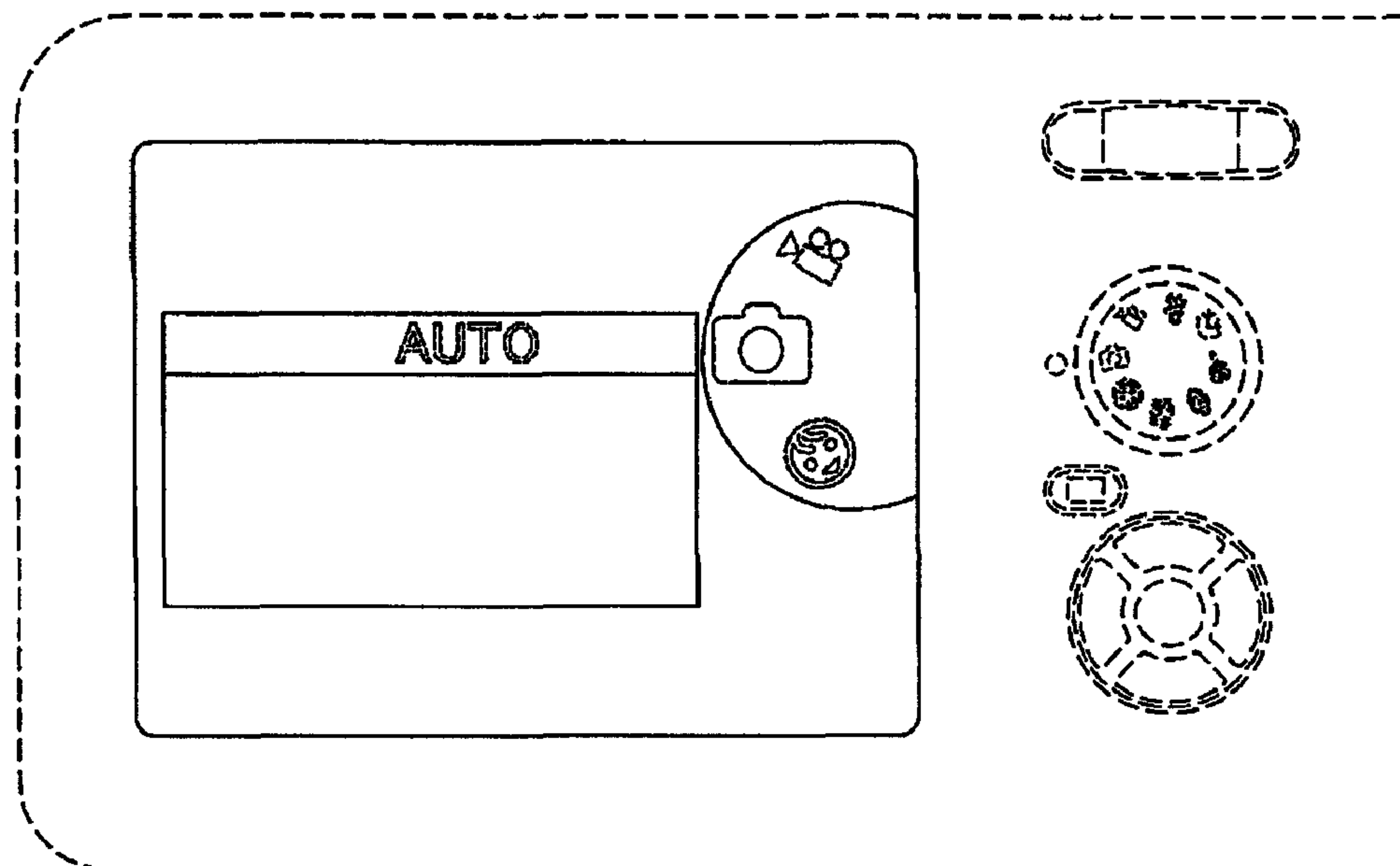


FIG. 9

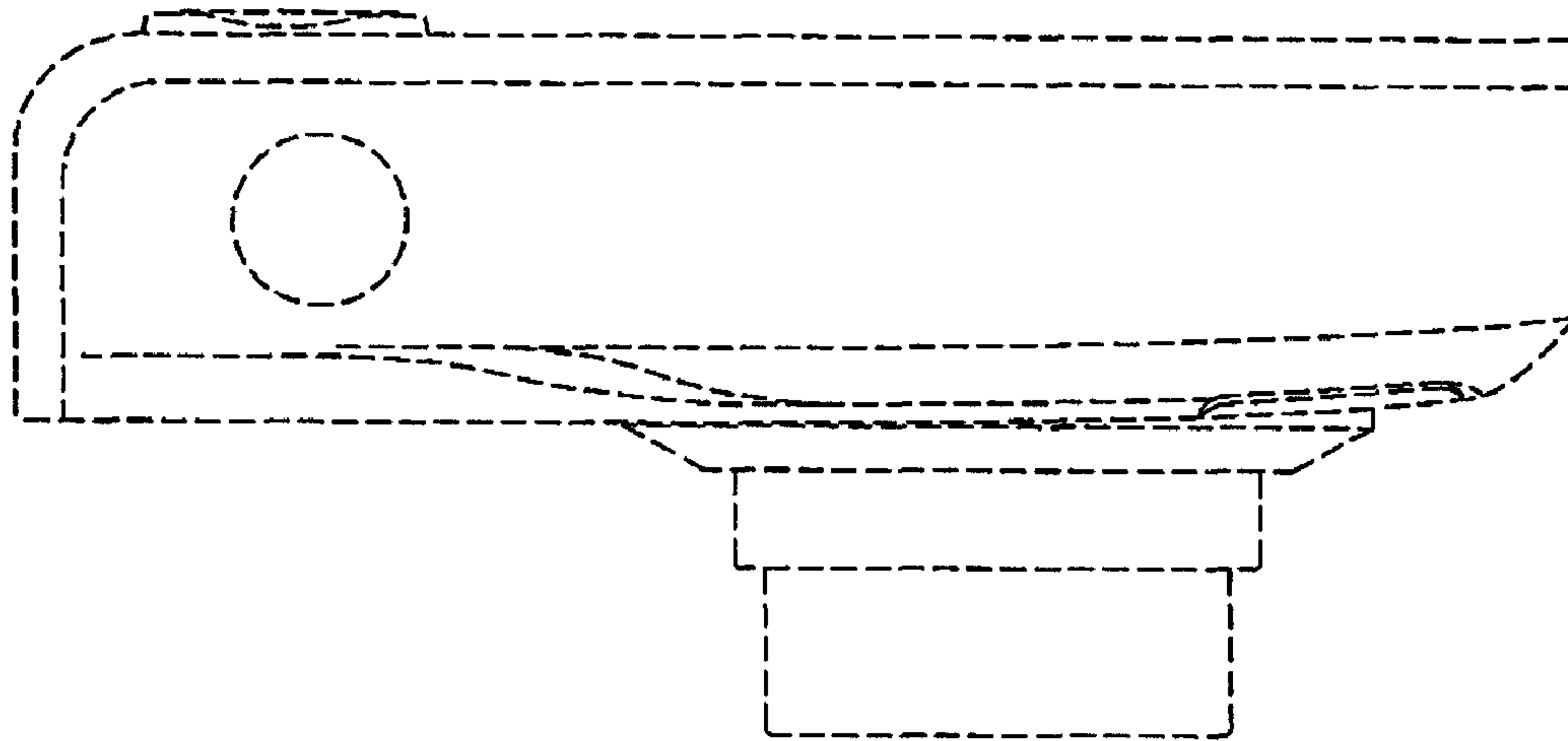


FIG. 10

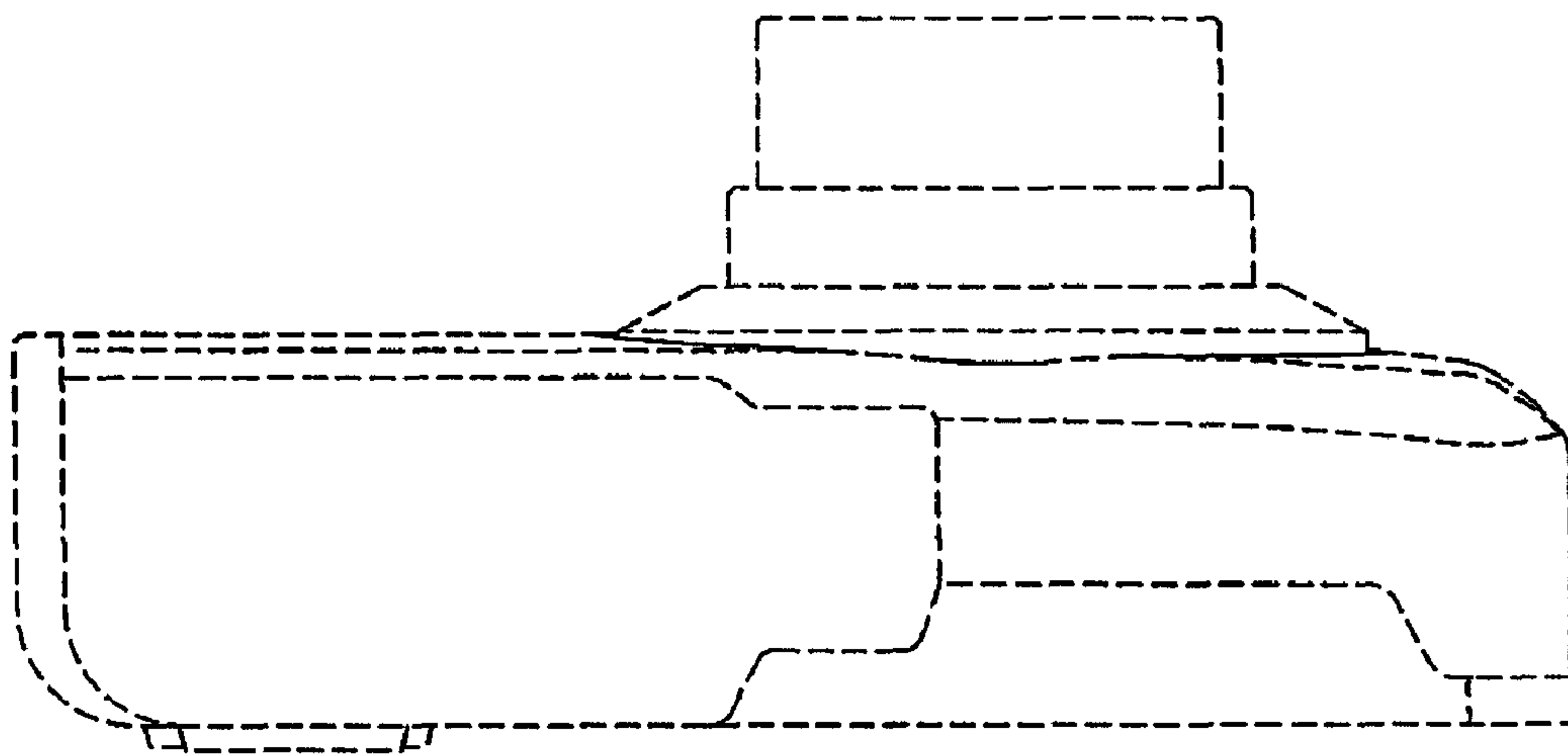


FIG. 11

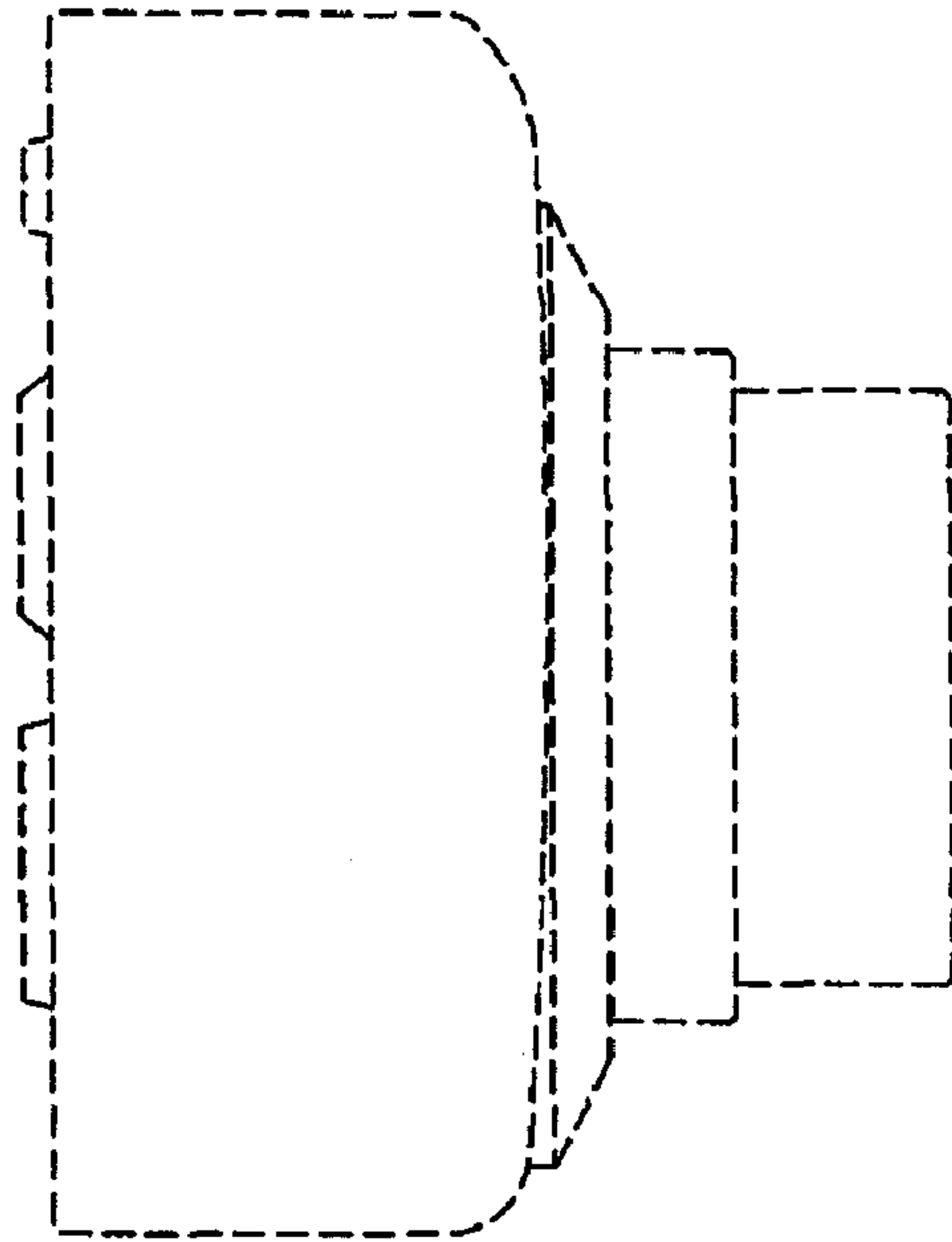


FIG. 12

