

US00D633505S

(12) **United States Design Patent**
van Alphen et al.

(10) **Patent No.:** **US D633,505 S**
(45) **Date of Patent:** **** Mar. 1, 2011**

(54) **ANGLED WALL MOUNT SUPPORT**

(75) Inventors: **Folke G. M. van Alphen**, Roermond
(NL); **Ruud F. A. Obdeijn**, Eindhoven
(NL)

(73) Assignee: **Vogel's Holding B.V.** (NL)

(**) Term: **14 Years**

(21) Appl. No.: **29/366,486**

(22) Filed: **Jul. 26, 2010**

(51) **LOC (9) Cl.** **08-07**

(52) **U.S. Cl.** **D14/451**

(58) **Field of Classification Search** D14/448,
D14/439, 440, 447, 449, 450, 451, 452, 432,
D14/434, 457, 336, 337, 339, 340, 371, 372,
D14/373, 374, 375, 376, 377, 378, 379, 380,
D14/381, 382, 126, 127, 128, 129, 203.8,
D14/217, 238.1, 239; 345/905; 248/917,
248/918, 919, 920, 921, 922, 923, 924; 348/184,
348/739, 761, 791, 825, 834, 835; 349/58,
349/60; D6/406.1, 406.3, 406.4, 406.5, 406.6;
D8/363, 380; 361/679.06, 679.02, 679.09,
361/679.21, 679.3, 679.55, 679.56, 679.26,
361/679.27

See application file for complete search history.

(56) **References Cited**

U.S. PATENT DOCUMENTS

D493,800 S * 8/2004 Pfister et al. D14/451
D517,085 S * 3/2006 Deuschle D14/451
D553,125 S * 10/2007 Ly Hau et al. D14/239
D558,036 S * 12/2007 Rogers D8/380
D560,671 S * 1/2008 Muday et al. D14/451

D563,416 S * 3/2008 Bremmon D14/452
D570,852 S * 6/2008 Muday et al. D14/451
D581,915 S * 12/2008 Sculler et al. D14/239
D585,449 S * 1/2009 Anderson et al. D14/451
D588,118 S * 3/2009 Townsend et al. D14/239
D593,081 S * 5/2009 Grolle et al. D14/239
D594,001 S * 6/2009 Sexton D14/239
2008/0011927 A1 * 1/2008 Park 248/324

* cited by examiner

Primary Examiner—Angela J Lee

(74) *Attorney, Agent, or Firm*—Miller & Martin

(57) **CLAIM**

The ornamental design for the angled wall mount support, as shown and described.

DESCRIPTION

FIG. 1 is a top front right perspective view of the angled wall mount support;

FIG. 2 is a top front left perspective view of the angled wall mount support shown in FIG. 1;

FIG. 3 is a front plan view of the angled wall mount support shown in FIG. 1;

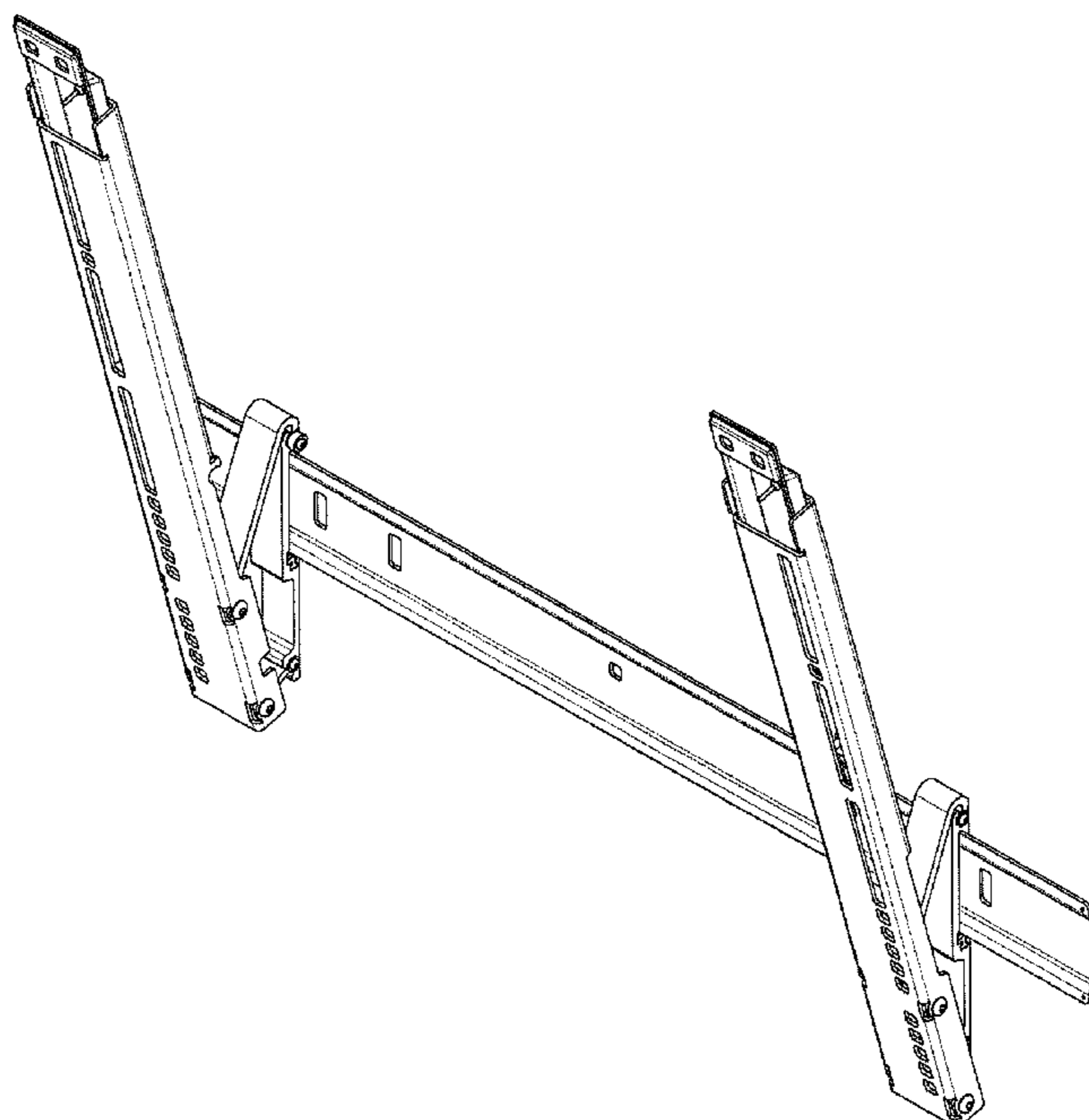
FIG. 4 is a left plan view of the angled wall mount support shown in FIG. 1, the right plan view being a mirror image thereof;

FIG. 5 is a rear plan view of the angled wall mount support shown in FIG. 1;

FIG. 6 is a top plan view of the angled wall mount support shown in FIG. 1; and,

FIG. 7 is a bottom plan view of the angled wall mount support shown in FIG. 1.

1 Claim, 7 Drawing Sheets



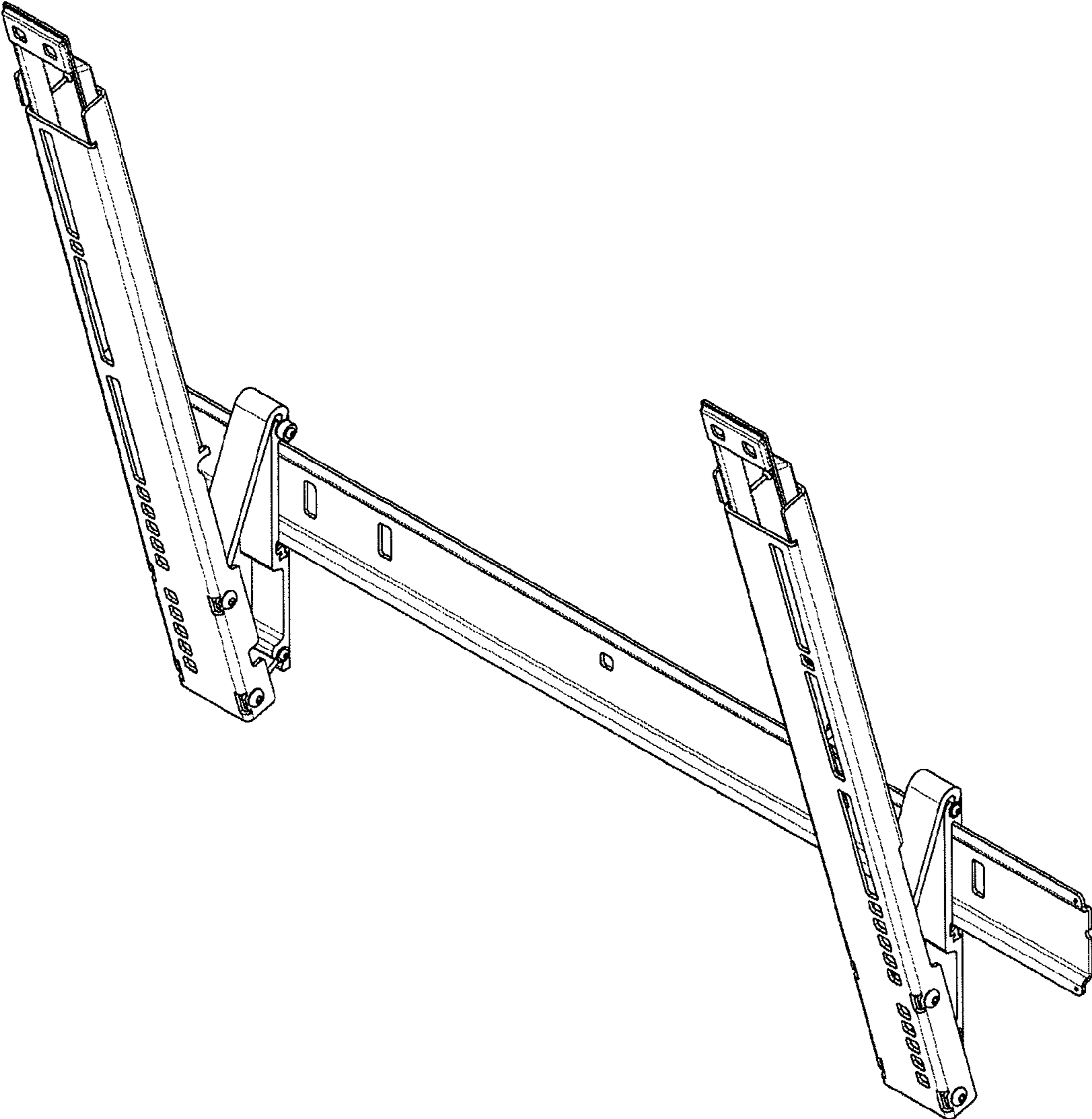


Fig. 1

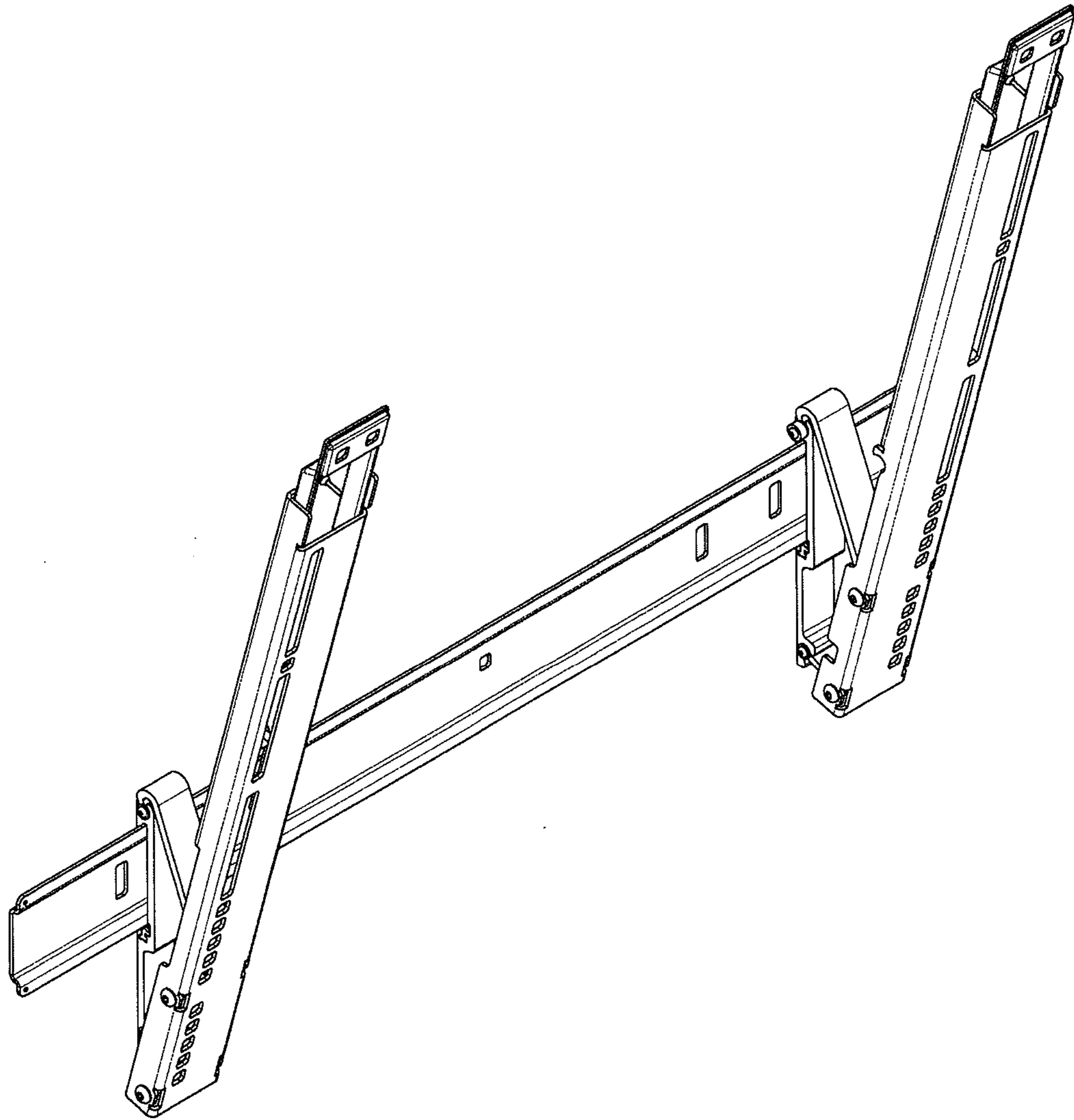


Fig. 2

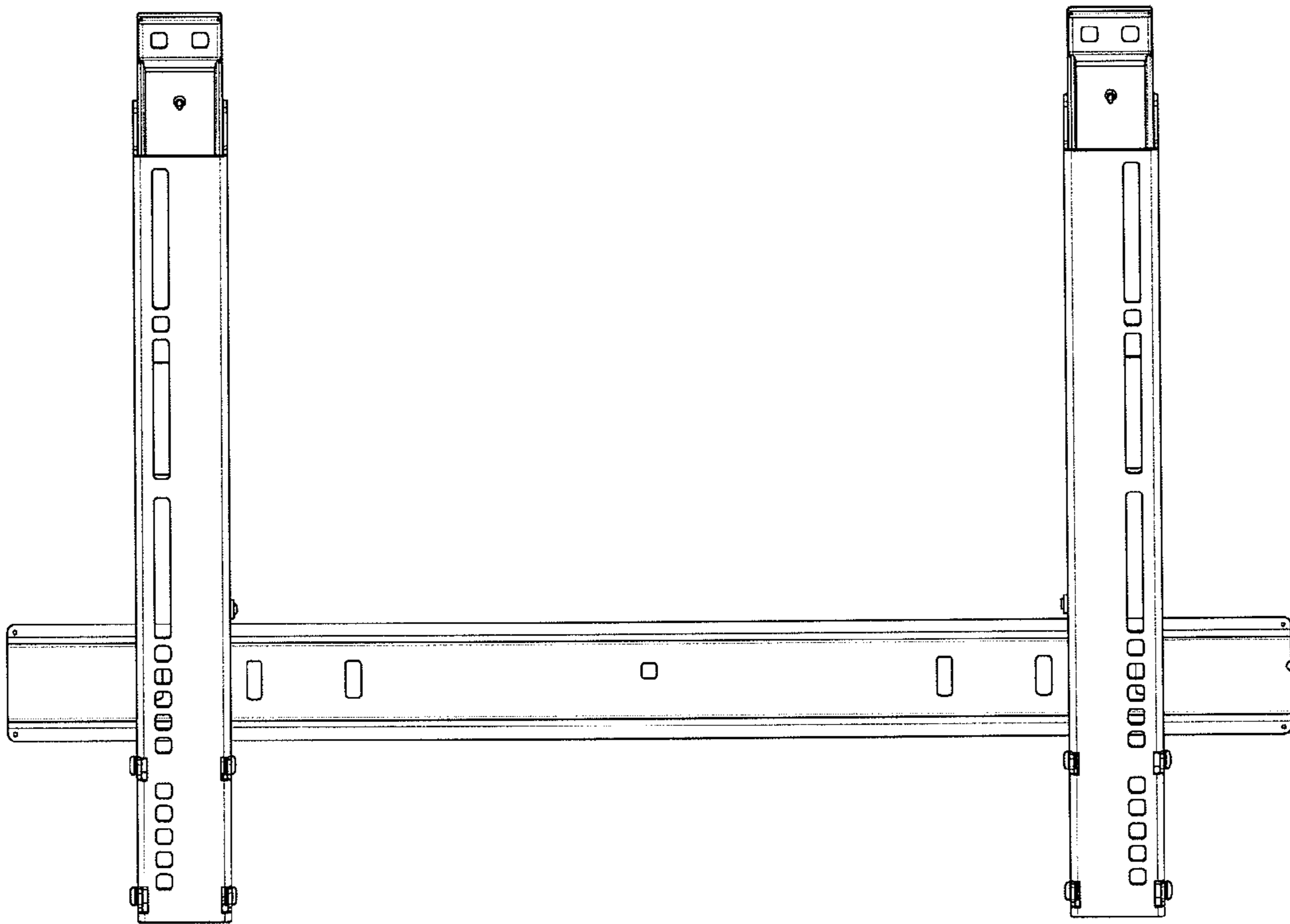


Fig. 3

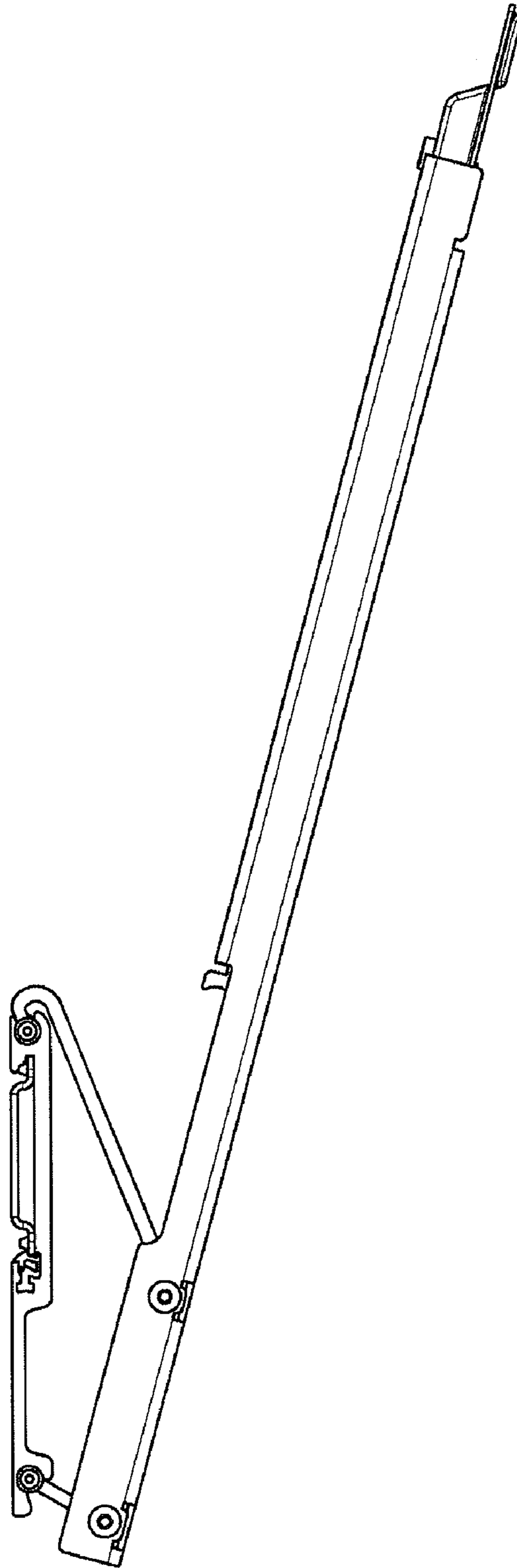


Fig. 4

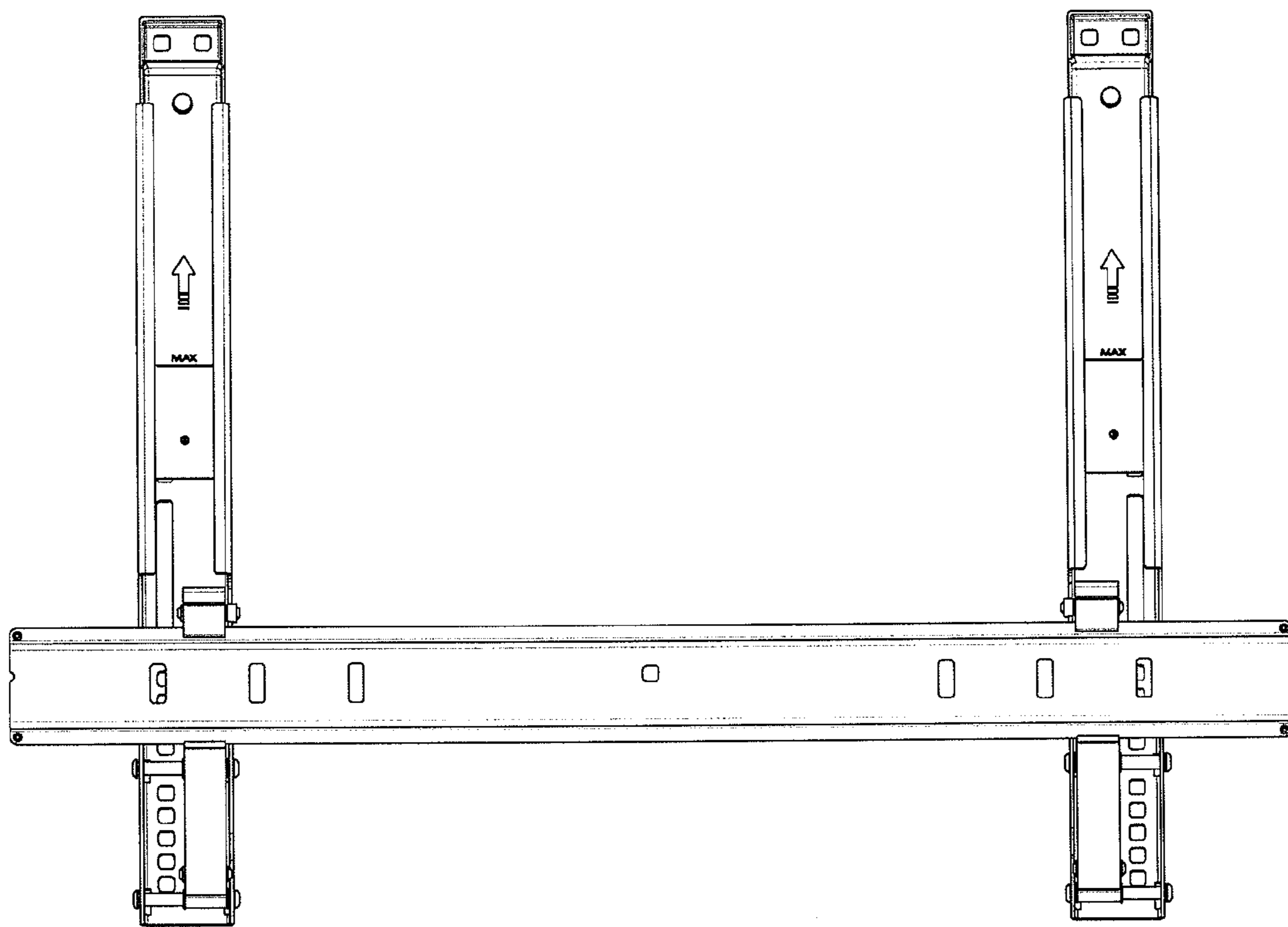


Fig. 5

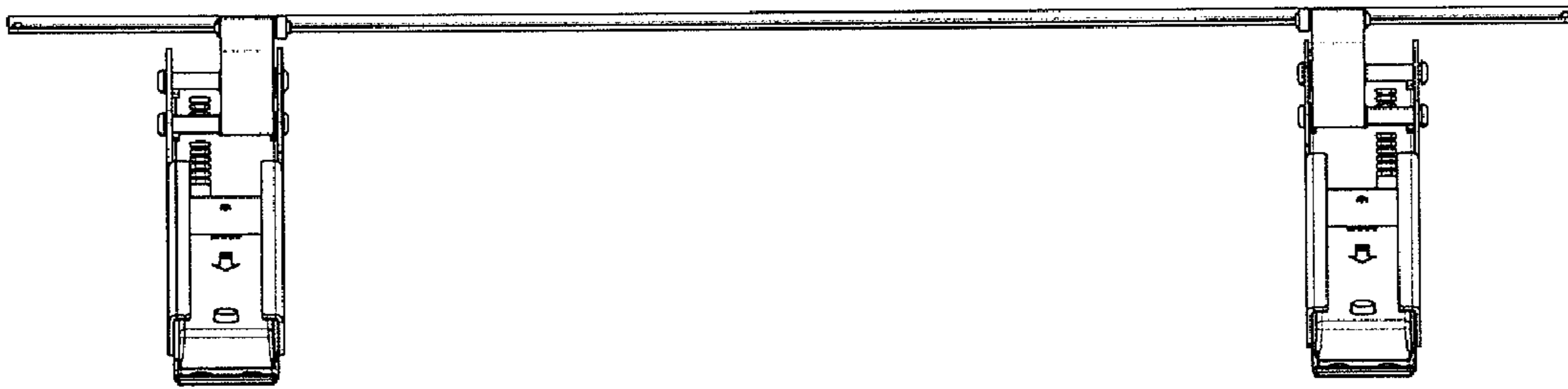


Fig. 6

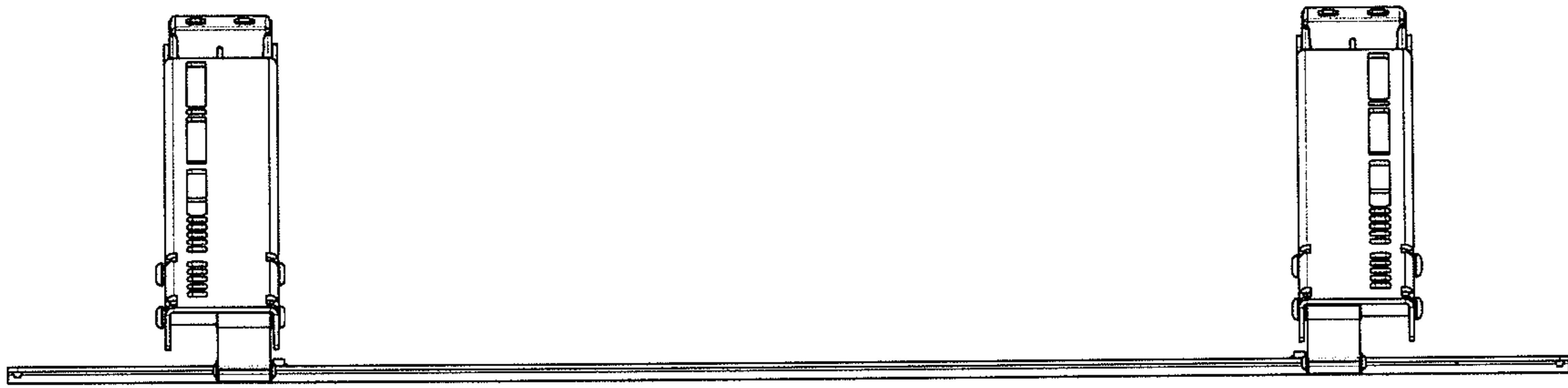


Fig. 7

UNITED STATES PATENT AND TRADEMARK OFFICE
CERTIFICATE OF CORRECTION

PATENT NO. : D633,505 S
APPLICATION NO. : 29/366486
DATED : March 1, 2011
INVENTOR(S) : Folke G. M. van Alphen and Ruud F. A. Obdeijn

Page 1 of 1

It is certified that error appears in the above-identified patent and that said Letters Patent is hereby corrected as shown below:

Title Page, insert

-- (30) Foreign Application Priority Data:

European (EU) Office for Harmonization Application No. 001661257-0001, filed January 26, 2010. --.

Signed and Sealed this
Tenth Day of January, 2012

A handwritten signature in black ink that reads "David J. Kappos". The signature is written in a cursive style with a large initial "D" and "K".

David J. Kappos
Director of the United States Patent and Trademark Office