

US00D633499S

(12) **United States Design Patent**
Chatterjee et al.

(10) **Patent No.:** **US D633,499 S**
(45) **Date of Patent:** **** Mar. 1, 2011**

(54) **KEYBOARD**

(75) Inventors: **Monique Chatterjee**, Seattle, WA (US);
Dan Odell, Kirkland, WA (US); **Jonah**
Becker, San Francisco, CA (US)

(73) Assignee: **Microsoft Corporation**, Redmond, WA
(US)

(**) Term: **14 Years**

(21) Appl. No.: **29/376,347**

(22) Filed: **Oct. 5, 2010**

Related U.S. Application Data

(62) Division of application No. 29/345,376, filed on Oct.
14, 2009, now Pat. No. Des. 624,916.

(51) **LOC (9) Cl.** **14-02**

(52) **U.S. Cl.** **D14/392; D14/456**

(58) **Field of Classification Search** D14/391-399,
D14/385, 455, 456; D18/1, 2, 7, 11; 178/17 A,
178/17 C; 200/5 A, 5 R, 6 A, 6 R; 235/145 A,
235/145 R; 345/160, 168, 169; 341/20,
341/22, 23; 400/484-489, 492
See application file for complete search history.

(56) **References Cited**

U.S. PATENT DOCUMENTS

- 5,717,430 A 2/1998 Copland et al.
- D437,597 S 2/2001 Kaneko et al.
- D442,590 S 5/2001 Ledbetter et al.
- D443,271 S 6/2001 Poole et al.
- D467,589 S 12/2002 Jones et al.
- D468,320 S 1/2003 Jones et al.

- 6,604,877 B2 8/2003 Cheng
- D481,730 S 11/2003 Kang et al.
- D489,373 S 5/2004 Huang
- D496,664 S 9/2004 Jones et al.
- 6,876,312 B2 4/2005 Yu
- D508,246 S 8/2005 Ohta
- D521,513 S 5/2006 Neal et al.
- D531,184 S 10/2006 O'Neil et al.
- D598,918 S 8/2009 Kim et al.
- D619,590 S 7/2010 Chatterjee et al.
- D624,916 S * 10/2010 Chatterjee et al. D14/392

* cited by examiner

Primary Examiner—Freda S Nunn

(74) *Attorney, Agent, or Firm*—Banner & Witcoff, Ltd.

(57) **CLAIM**

The ornamental design for a keyboard, as shown and described.

DESCRIPTION

FIG. 1 is a front perspective view of a keyboard showing our new design;

FIG. 2 is a top view thereof;

FIG. 3 is a rear view thereof;

FIG. 4 is a front view thereof;

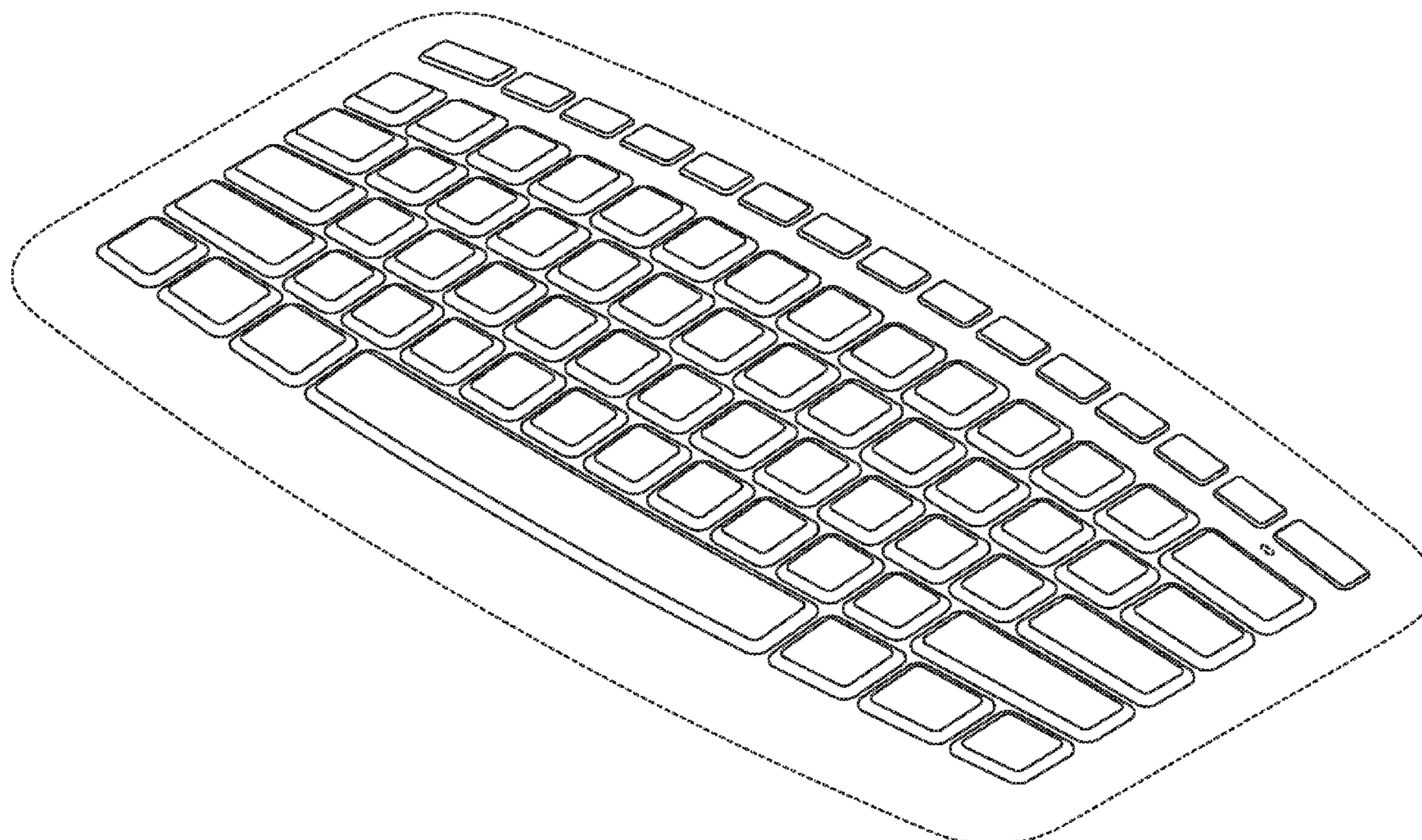
FIG. 5 is a bottom view thereof;

FIG. 6 is a right side view thereof; and,

FIG. 7 is a left side view thereof.

The broken line showing of the remainder of the keyboard is for environmental purposes only and forms no part of the claimed design.

1 Claim, 5 Drawing Sheets



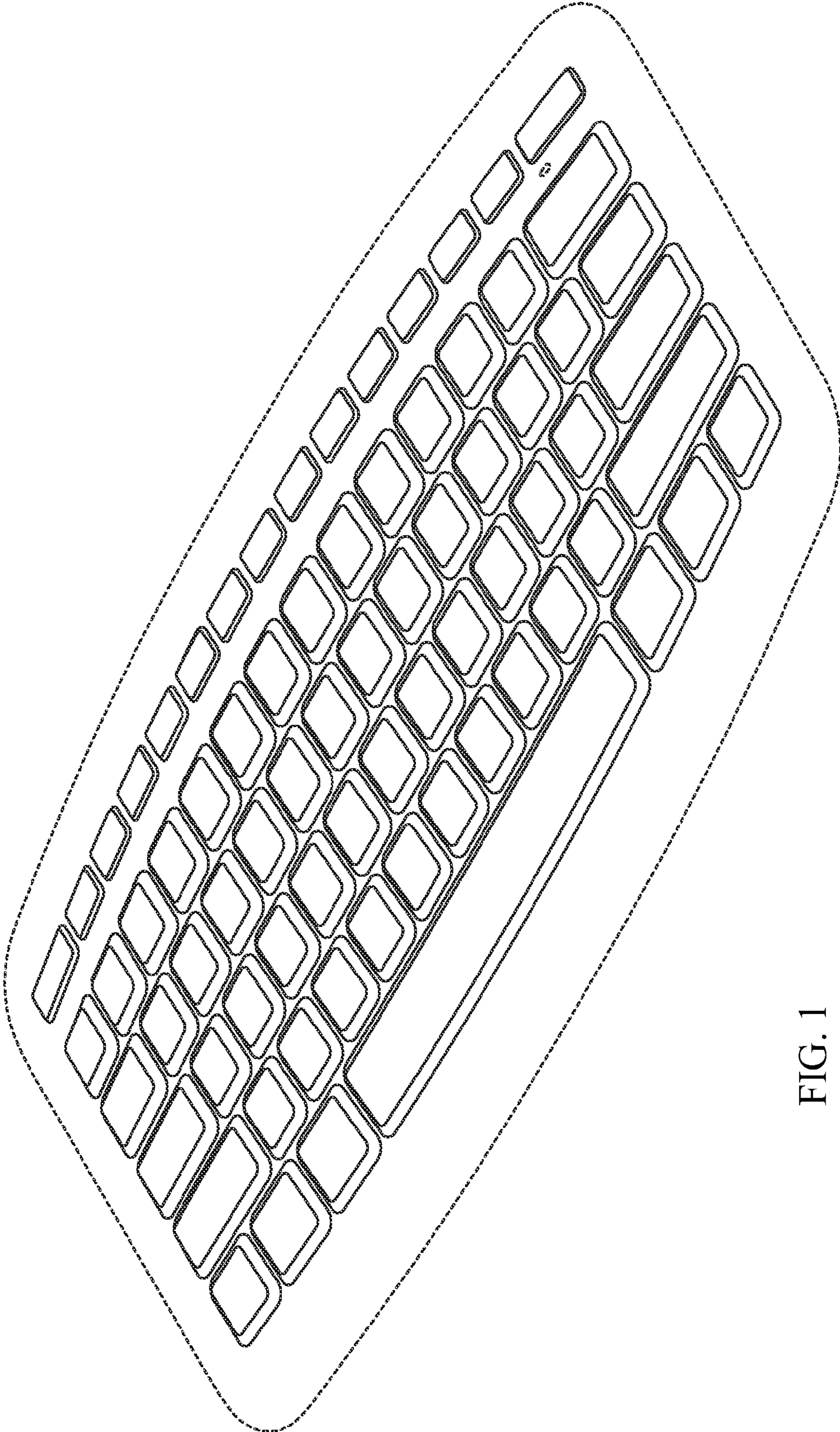


FIG. 1

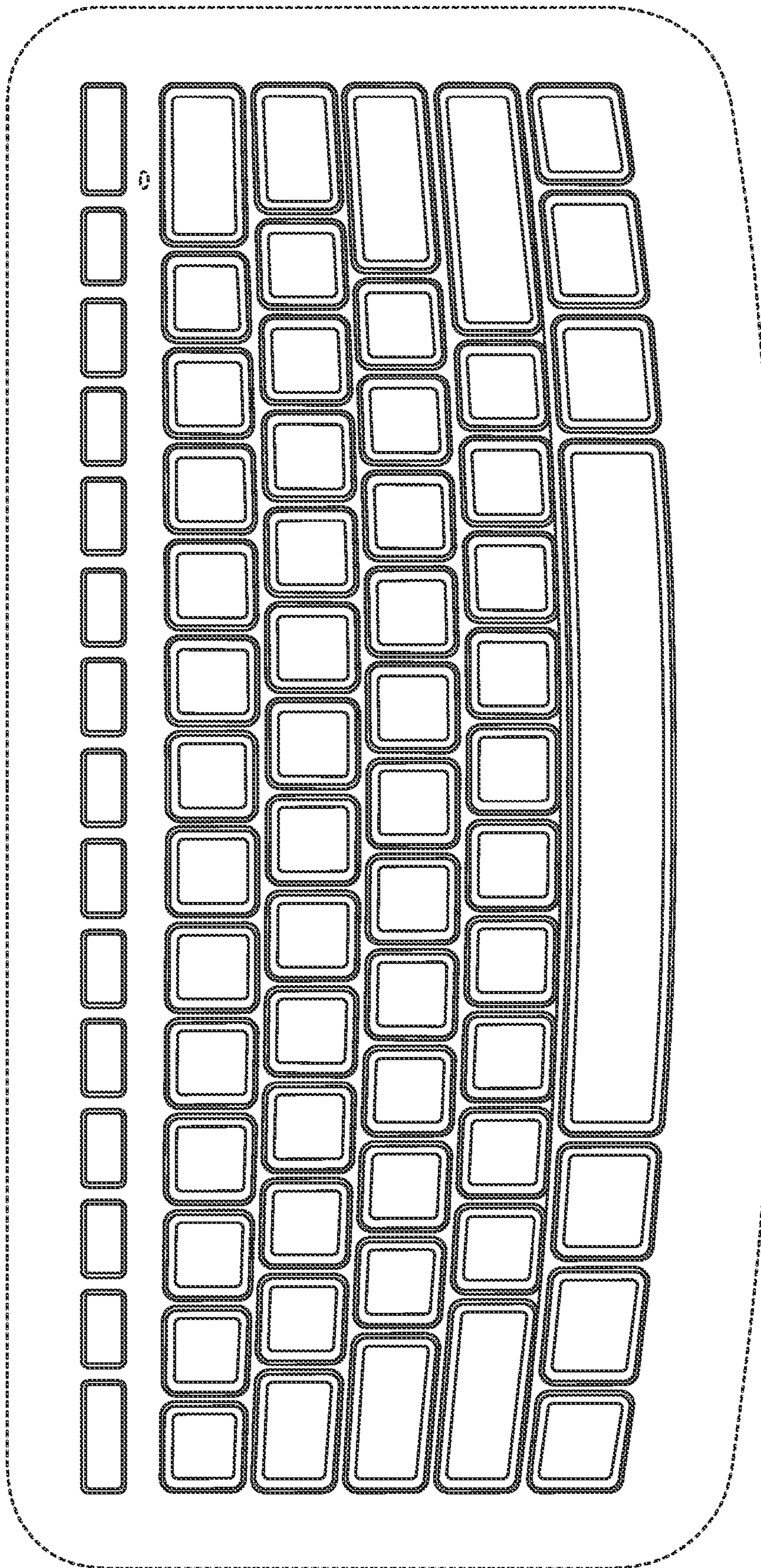


FIG. 2

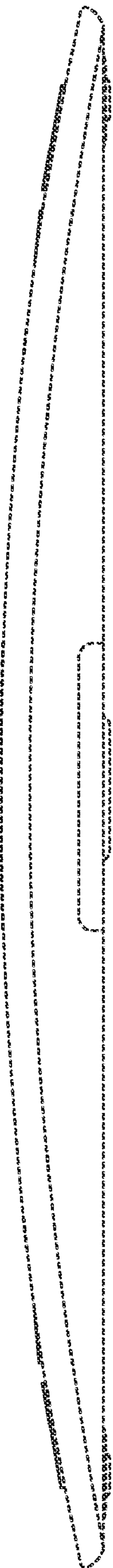


FIG. 3

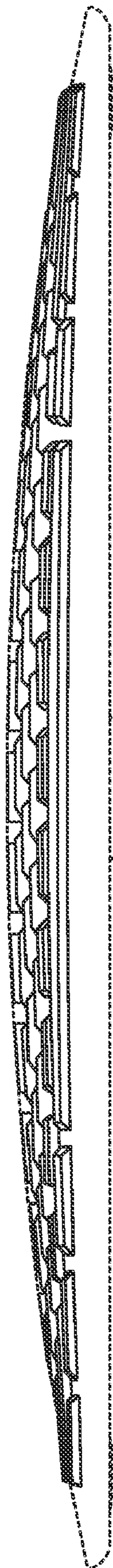


FIG. 4

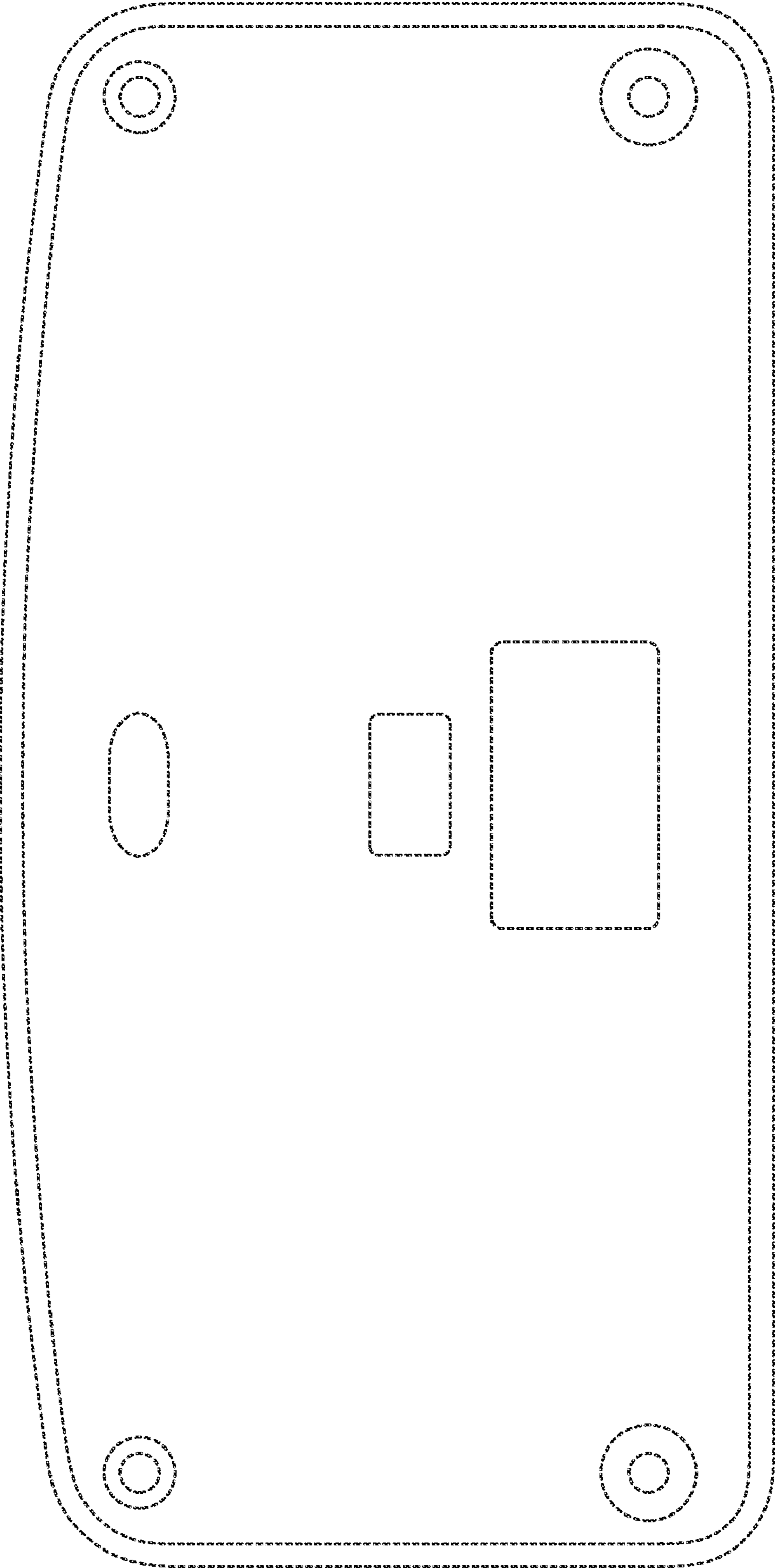


FIG. 5

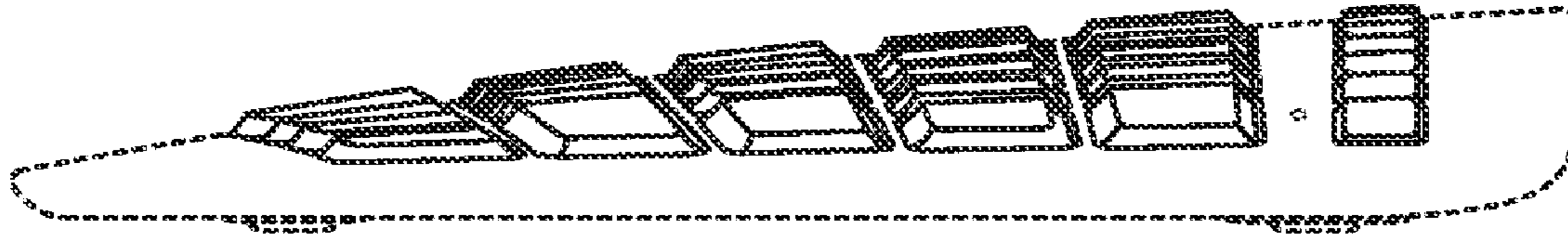


FIG. 6

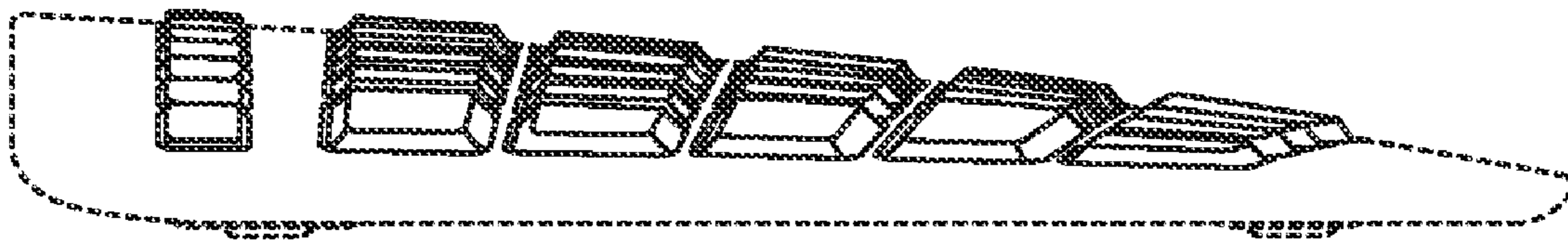


FIG. 7