



US00D633498S

(12) **United States Design Patent**  
**Andre et al.**

(10) **Patent No.:** **US D633,498 S**  
(45) **Date of Patent:** **\*\* Mar. 1, 2011**

(54) **KEYBOARD**

(75) Inventors: **Bartley K. Andre**, Menlo Park, CA (US); **Daniel J. Coster**, San Francisco, CA (US); **Daniele De Iuliis**, San Francisco, CA (US); **Richard P. Howarth**, San Francisco, CA (US); **Jonathan P. Ive**, San Francisco, CA (US); **Steve Jobs**, Palo Alto, CA (US); **Duncan Robert Kerr**, San Francisco, CA (US); **Shin Nishibori**, Portola Valley, CA (US); **Matthew Dean Rohrbach**, San Francisco, CA (US); **Peter Russell-Clarke**, San Francisco, CA (US); **Douglas B. Satzger**, Menlo Park, CA (US); **Calvin Q. Seid**, Palo Alto, CA (US); **Vincent Keane Seid**, legal representative, Los Gatos, CA (US); **Christopher J. Stringer**, Woodside, CA (US); **Eugene Antony Whang**, San Francisco, CA (US); **Rico Zorkendorfer**, San Francisco, CA (US)

(73) Assignee: **Apple Inc.**, Cupertino, CA (US)

(\*\*) Term: **14 Years**

(21) Appl. No.: **29/361,553**

(22) Filed: **May 12, 2010**

**Related U.S. Application Data**

(60) Continuation of application No. 29/342,814, filed on Sep. 1, 2009, now Pat. No. Des. 616,886, which is a division of application No. 29/289,877, filed on Aug. 2, 2007, now Pat. No. Des. 604,300.

(51) **LOC (9) Cl.** ..... **14-02**

(52) **U.S. Cl.** ..... **D14/392**

(58) **Field of Classification Search** ..... D14/391-399, D14/336; D18/1, 2, 7; 178/17 A, 17 C; 200/5 A, 200/5 R, 6 A, 6 R; 235/145 A, 145 R; 345/160, 345/168, 169, 173; 341/22, 23; 400/484-489, 400/492; 361/679.08-679.19

See application file for complete search history.

(56) **References Cited**

U.S. PATENT DOCUMENTS

D335,660 S	5/1993	Busch
D346,161 S	4/1994	Oh et al.
D348,875 S	7/1994	Wang
5,717,430 A	2/1998	Copland et al.
D436,951 S	1/2001	Andresen
D445,793 S	7/2001	Ji
D446,520 S	8/2001	Ji
D454,566 S	3/2002	Andre et al.
D485,271 S	1/2004	Kamegi

(Continued)

OTHER PUBLICATIONS

Sony X505 Keyboard, available at least as early as May 8, 2005.

(Continued)

*Primary Examiner*—Freda S Nunn

(74) *Attorney, Agent, or Firm*—SAIDMAN DesignLaw Group

(57) **CLAIM**

The ornamental design for a keyboard, as shown and described.

**DESCRIPTION**

FIG. 1 is a top, perspective view of a keyboard showing our new design;

FIG. 2 is a front view thereof;

FIG. 3 is rear view thereof;

FIG. 4 is a left-side view thereof;

FIG. 5 is a right-side view thereof;

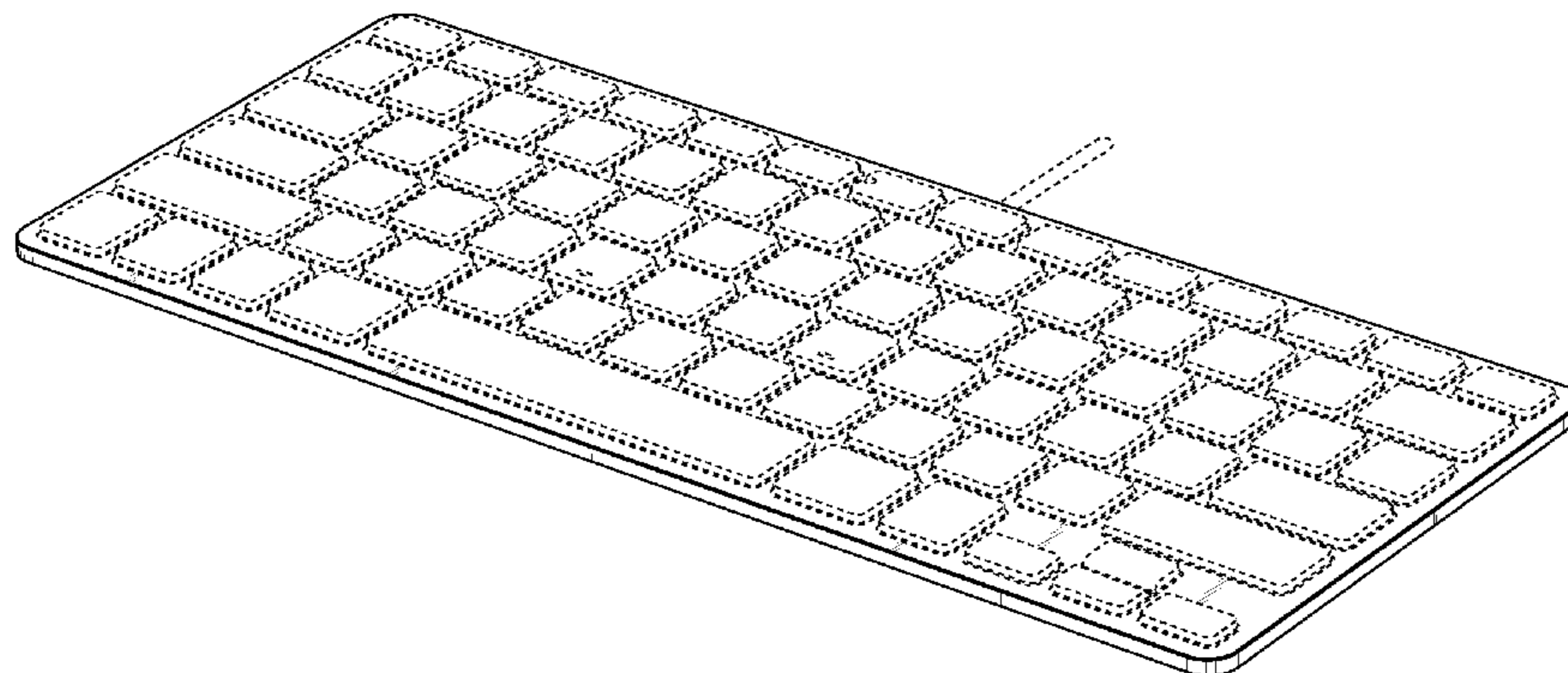
FIG. 6 is a top view thereof;

FIG. 7 is a bottom view thereof; and,

FIG. 8 is a bottom, perspective view thereof.

The broken lines are for the purpose of illustrating portions of the keyboard, and form no part of the claimed design.

**1 Claim, 6 Drawing Sheets**



# US D633,498 S

Page 2

---

## U.S. PATENT DOCUMENTS

D543,544 S 5/2007 Cheng  
D556,758 S 12/2007 Nguyen et al.  
D558,753 S 1/2008 Andre et al.  
D572,246 S 7/2008 Andre et al.  
D574,378 S 8/2008 Andre et al.  
D616,886 S \* 6/2010 Andre et al. .... D14/392

## OTHER PUBLICATIONS

Sony Vaio PCG-4G1L, available at least as early as May 8, 2006.

U.S. Appl. No. 29/321,731 entitled "Computing Device" filed Jul. 22, 2008, as amended Oct. 15, 2009.

U.S. Appl. No. 29/321,729 entitled "Computing Device" filed Jul. 22, 2008.

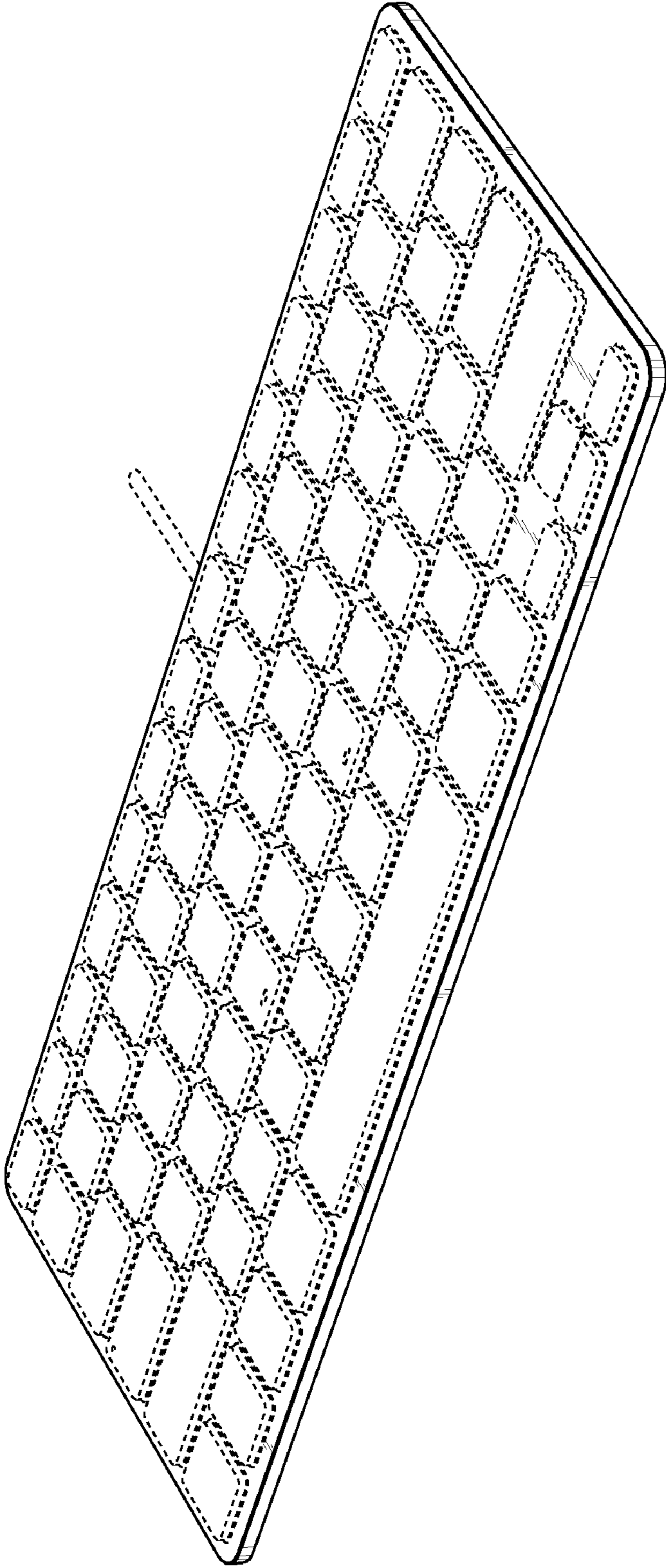
U.S. Appl. No. 29/361,525 entitled "Electronic Device", filed May 12, 2010.

U.S. Appl. No. 29/361,522 entitled "Electronic Device", filed May 12, 2010.

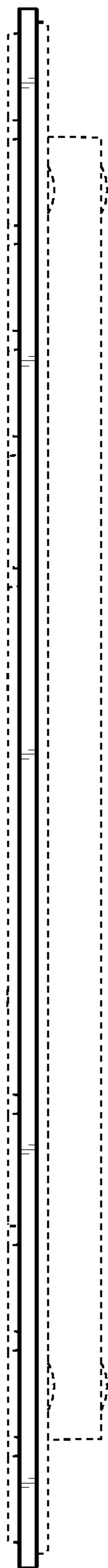
U.S. Appl. No. 29/365,518 entitled "Electronic Device", filed Jul. 9, 2010.

U.S. Appl. No. 29/367,620 entitled "Keyboard", filed Aug. 10, 2010.

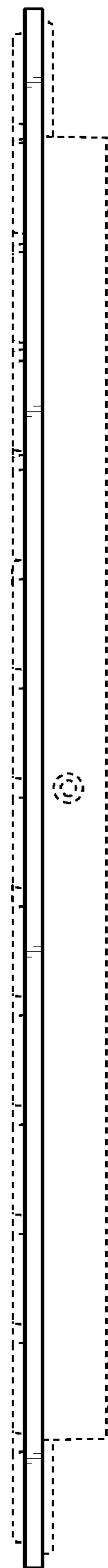
\* cited by examiner



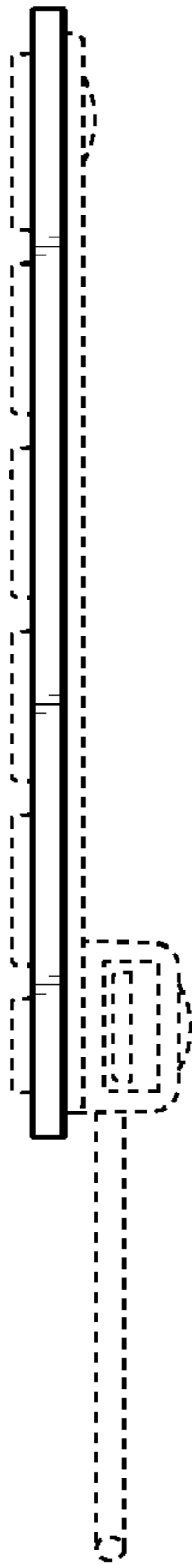
**Fig. 1**



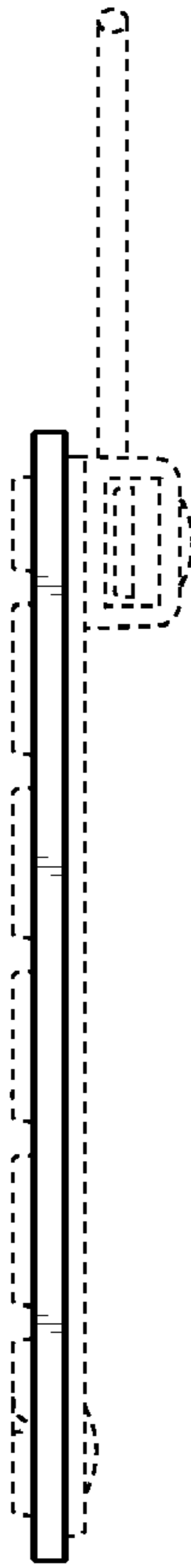
**Fig. 2**



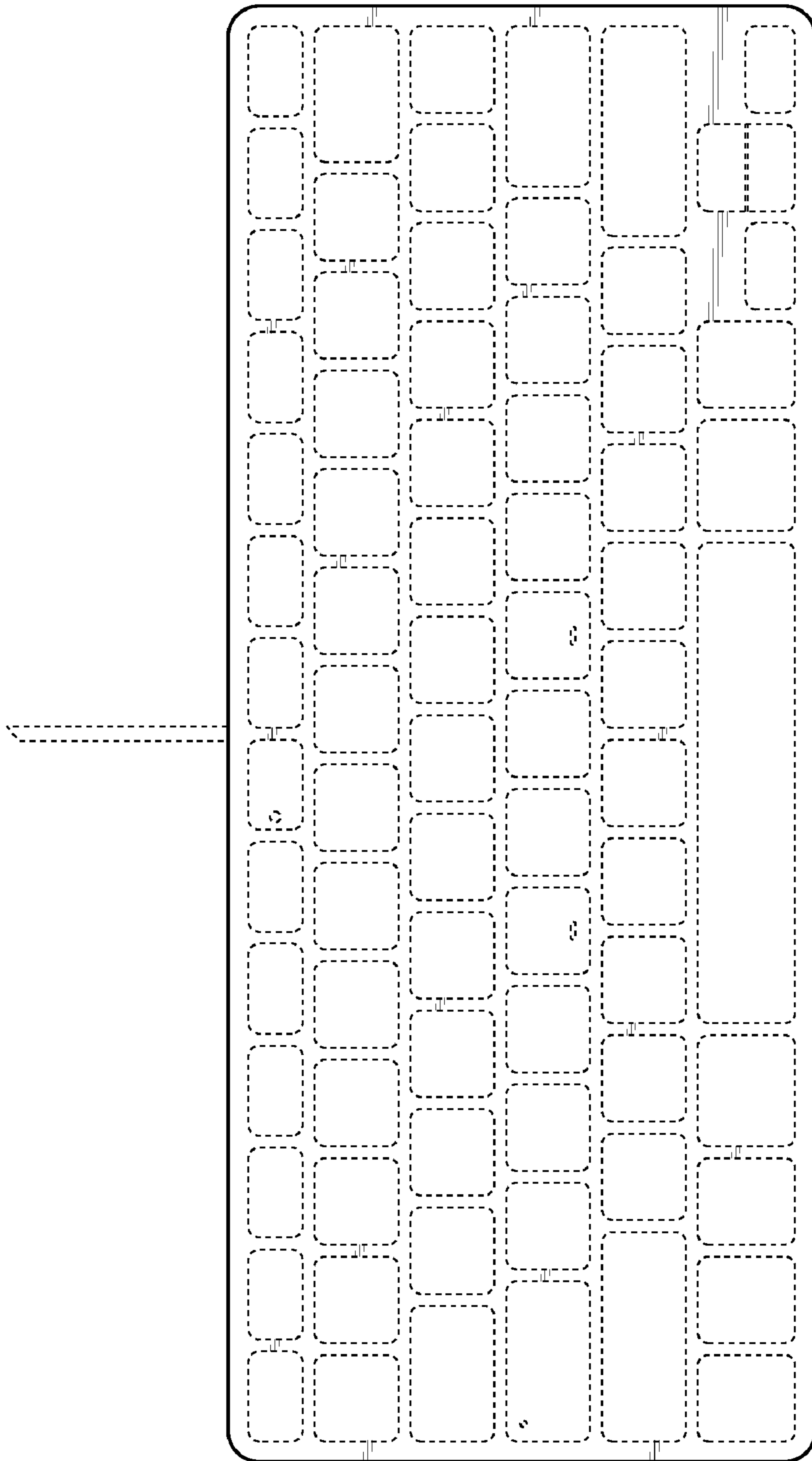
**Fig. 3**



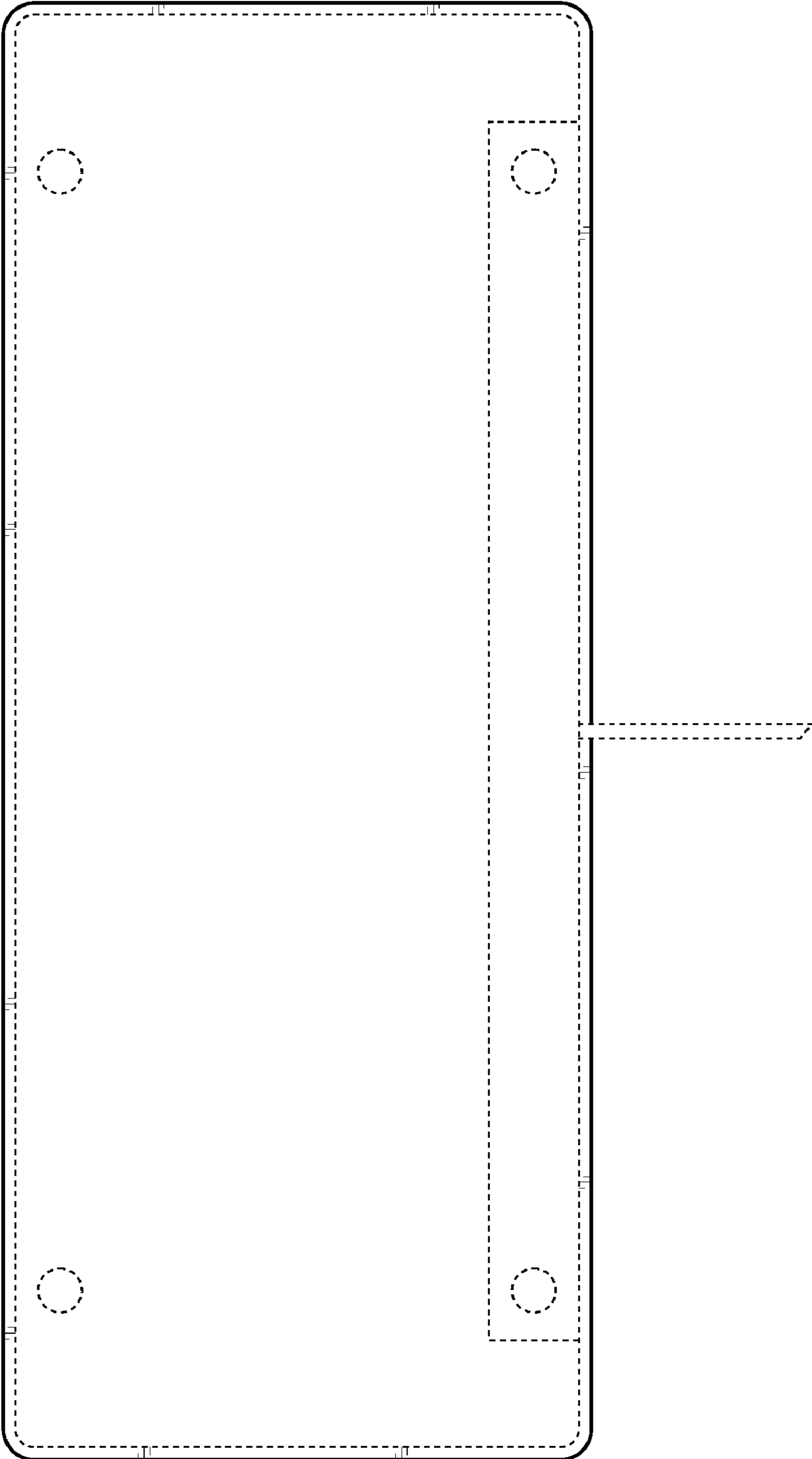
**Fig. 4**



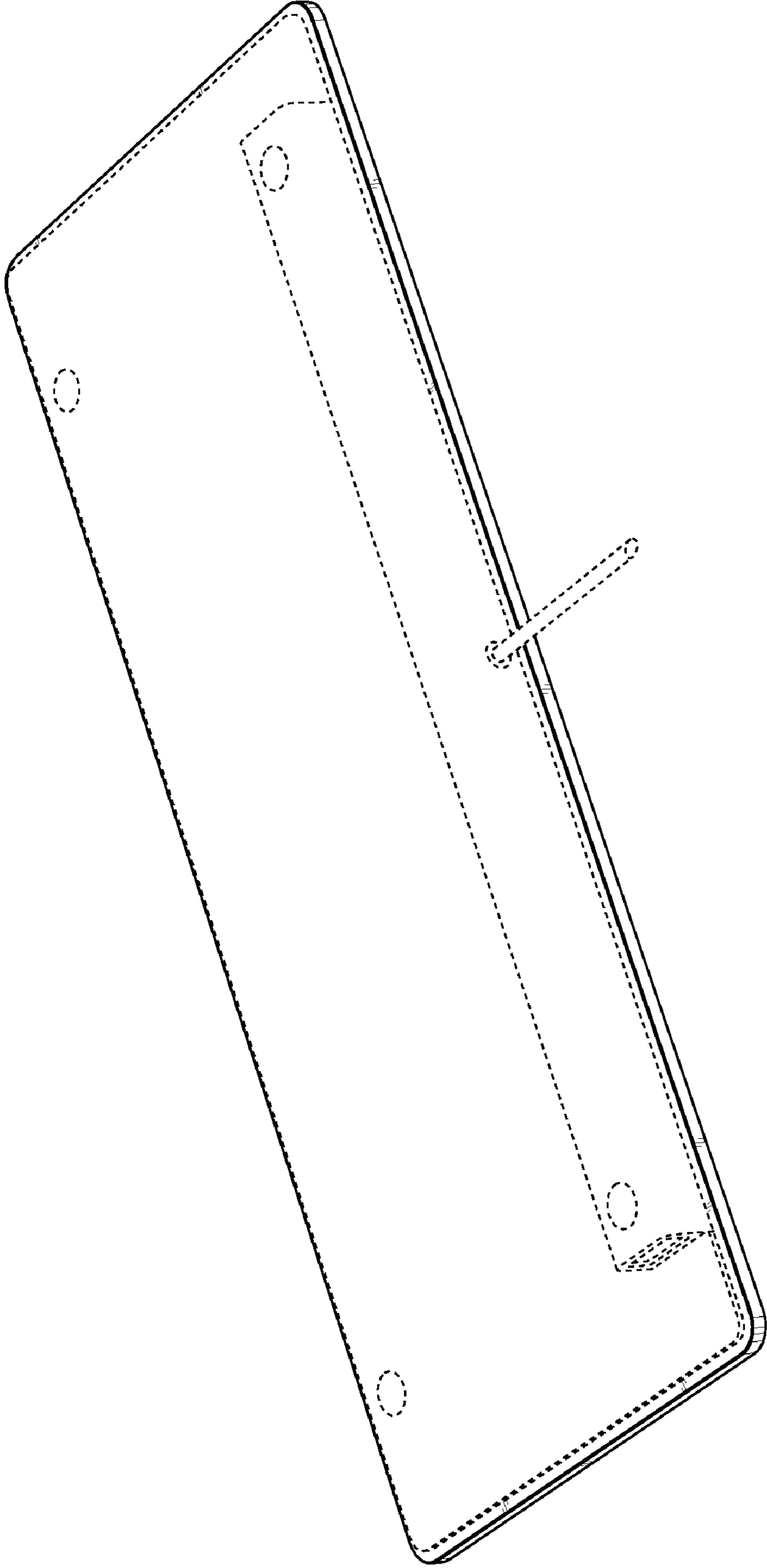
**Fig. 5**



**Fig. 6**



**Fig. 7**



**Fig. 8**