



US00D633496S

(12) **United States Design Patent**
Busri et al.

(10) **Patent No.:** **US D633,496 S**
(45) **Date of Patent:** **** Mar. 1, 2011**

(54) **SENSOR DATA COLLECTOR MOTE**

(75) Inventors: **Saharudin Busri**, Kuala Lumpur (MY);
Choong Soo Li, Kuala Lumpur (MY);
Azizi Abdul Rakman, Kuala Lumpur (MY);
Nuzairi Yasin, Kuala Lumpur (MY)

(73) Assignee: **Mimos Berhad**, Kuala Lumpur (MY)

(**) Term: **14 Years**

(21) Appl. No.: **29/346,853**

(22) Filed: **Nov. 6, 2009**

(30) **Foreign Application Priority Data**

May 7, 2009 (MY) 09-00439-0101

(51) **LOC (9) Cl.** **14-02**

(52) **U.S. Cl.** **D14/358; D14/480.5**

(58) **Field of Classification Search** D14/356–358,
D14/411, 433, 435.1, 436, 480.1–480.7, 484.1,
D14/137, 155, 167, 168, 203.1–203.8, 240,
D14/242, 299; D3/201, 273; D13/107, 108,
D13/149, 184; 710/300, 301; 439/131, 135–147;
361/379.02, 679.55, 679.56, 736, 737
See application file for complete search history.

(56) **References Cited**

U.S. PATENT DOCUMENTS

3,165,991	A *	1/1965	Yoshida	D14/168
D246,240	S *	11/1977	Hansen	D14/299
D283,405	S *	4/1986	Yuen	D10/46
5,140,108	A *	8/1992	Miyajima	361/679.58
5,875,099	A *	2/1999	Maesaka et al.	361/760
5,936,525	A *	8/1999	Leyden et al.	340/568.2
5,963,132	A *	10/1999	Yoakum	340/572.1
D425,487	S *	5/2000	Lee	D13/154
D456,811	S *	5/2002	Wheelock et al.	D14/432
D460,041	S *	7/2002	Tsay et al.	D13/107

(Continued)

OTHER PUBLICATIONS

Motivators.com, [online], [retrieved on Oct. 4, 2006]. Retrieved from the Internet <URL: http://www.motivators.com/viewlarge.asp?img=http://www.motivators.com/resize.asp?path=products/USB_1GB.jpg&v=1>.*

Primary Examiner—Cathron C Brooks

Assistant Examiner—Karen E Kearney

(74) *Attorney, Agent, or Firm*—Butzel Long

(57) **CLAIM**

The ornamental design for the sensor data collector mote, as shown and described.

DESCRIPTION

FIG. 1 is a perspective view, taken from the top, of a sensor data collector mote according to an exemplary embodiment of the present invention;

FIG. 2 is a perspective view, taken from the bottom, of the sensor data collector mote of the embodiment of FIG. 1;

FIG. 3 is a top plan view of the sensor data collector mote of the embodiment of FIG. 1;

FIG. 4 is a left-side elevational view of the sensor data collector mote of the embodiment of FIG. 1;

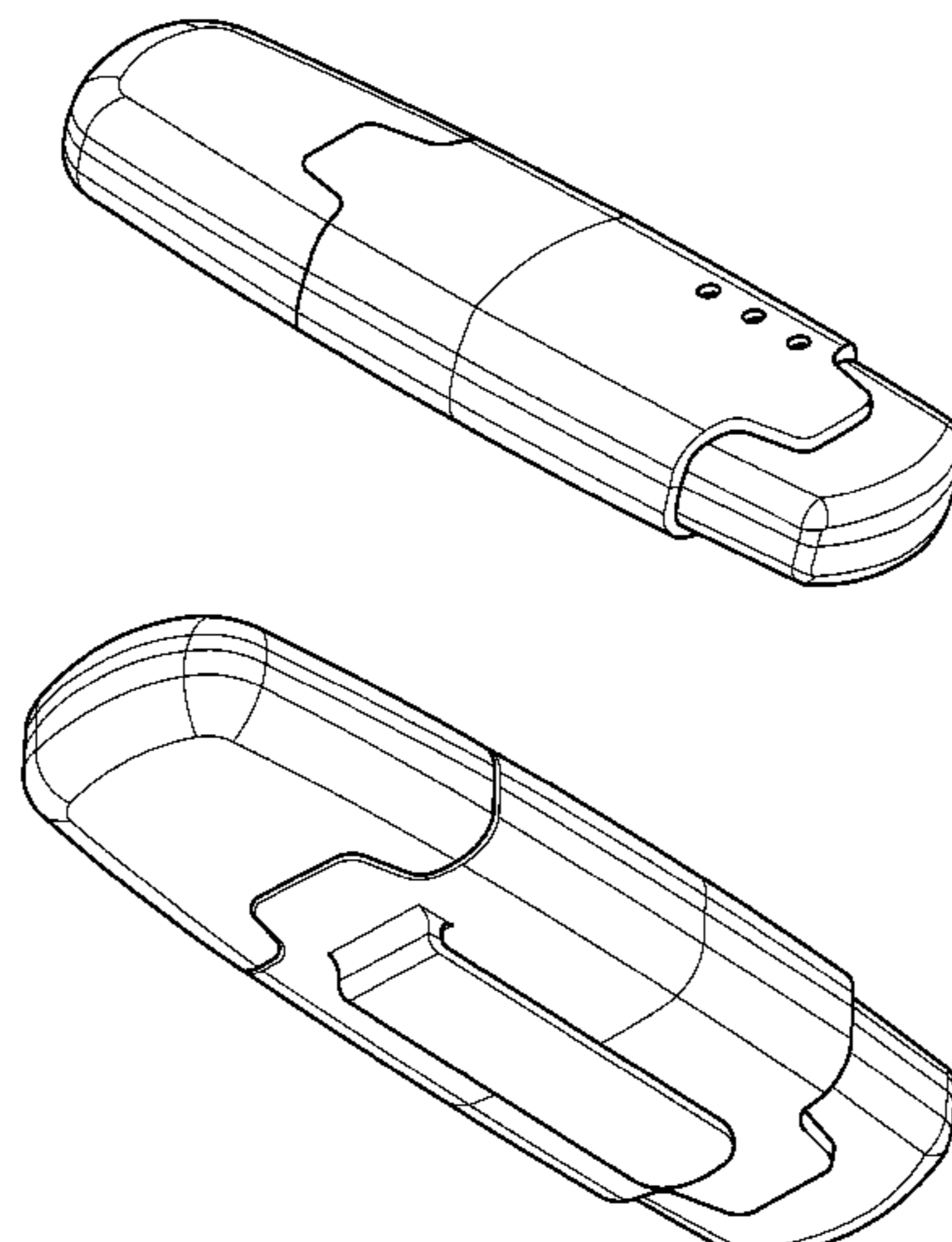
FIG. 5 is a front elevational view of the sensor data collector mote of the embodiment of FIG. 1;

FIG. 6 is a right-side elevational view of the sensor data collector mote of the embodiment of FIG. 1;

FIG. 7 is a rear elevational view of the sensor data collector mote of the embodiment of FIG. 1; and,

FIG. 8 is a bottom plan view of the sensor data collector mote of the embodiment of FIG. 1.

1 Claim, 3 Drawing Sheets



US D633,496 S

Page 2

U.S. PATENT DOCUMENTS

D462,689 S *	9/2002	Moran	D14/433	D554,119 S *	10/2007	Otsuka et al.	D14/356
D464,965 S *	10/2002	Wang et al.	D14/358	D559,903 S *	1/2008	Schwab	D19/9
6,522,534 B1 *	2/2003	Wu	361/679.4	7,349,216 B2 *	3/2008	Silverbrook et al.	361/715
D488,464 S *	4/2004	Lin et al.	D14/242	D567,239 S *	4/2008	Perrier et al.	D14/356
D518,907 S *	4/2006	Leung	D14/480.5	7,454,531 B2 *	11/2008	Shih	710/13
D521,509 S *	5/2006	Chen	D14/480.5	D590,826 S *	4/2009	Andre et al.	D14/341
D525,247 S *	7/2006	Rubin et al.	D14/480.2	7,554,814 B2 *	6/2009	Chen	361/740
D527,477 S *	8/2006	Chen	D14/432	D599,805 S *	9/2009	Perrier et al.	D14/480.5
D527,734 S *	9/2006	Lee et al.	D14/480.5	7,667,958 B2 *	2/2010	Ueda	361/679.26
D532,783 S *	11/2006	Yu	D14/480.3	2003/0099090 A1 *	5/2003	Su	361/685
D533,184 S *	12/2006	Kim	D14/203.5	2003/0122775 A1 *	7/2003	Ti	345/156
D537,820 S *	3/2007	Hsu	D14/480.1	2004/0233645 A1 *	11/2004	Chen	361/737
7,197,348 B2 *	3/2007	Pan	361/734	2005/0247796 A1 *	11/2005	Chen	235/492
D545,310 S *	6/2007	Chen	D14/480.5	2009/0273560 A1 *	11/2009	Kalanithi et al.	345/156

* cited by examiner

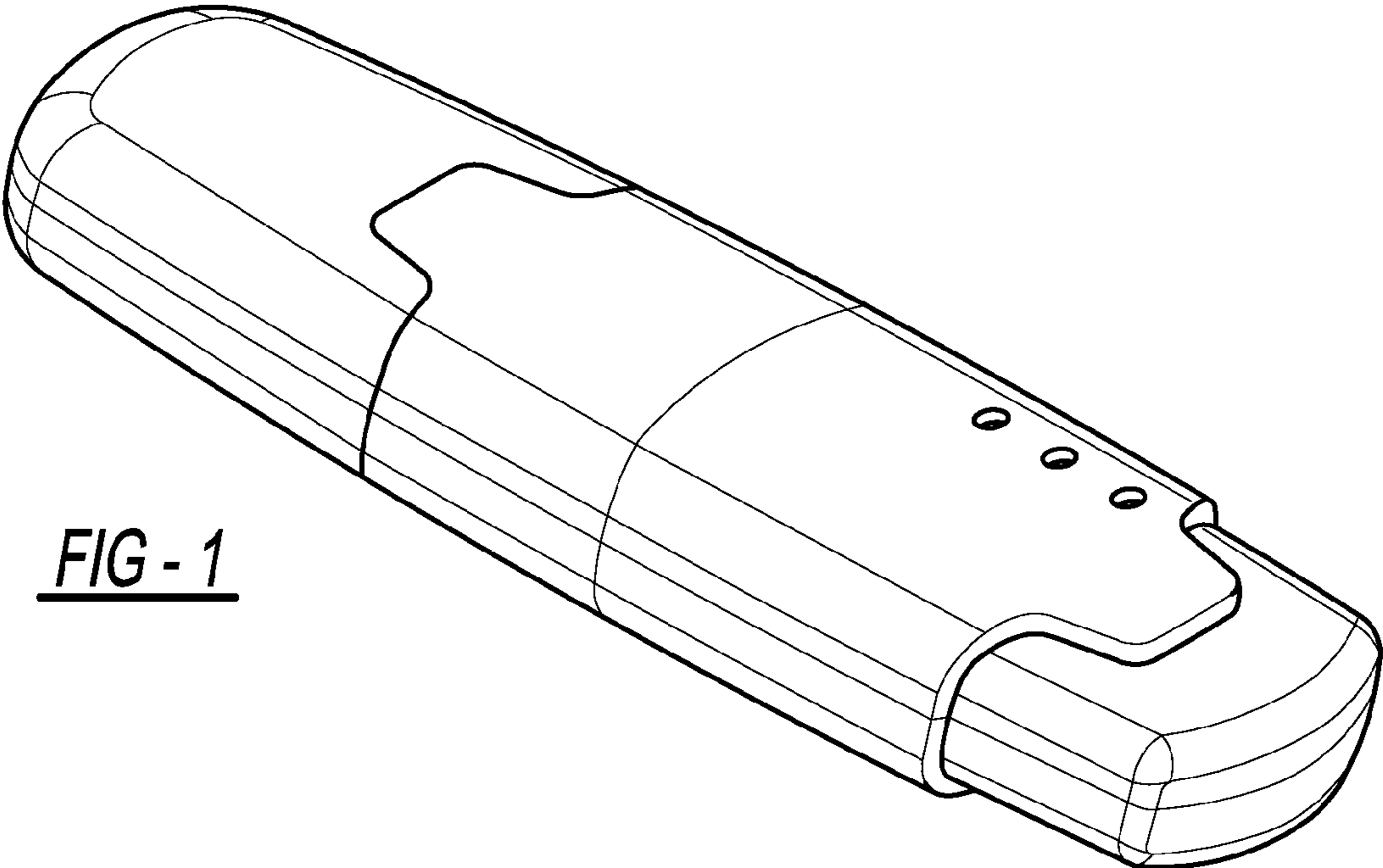


FIG - 1

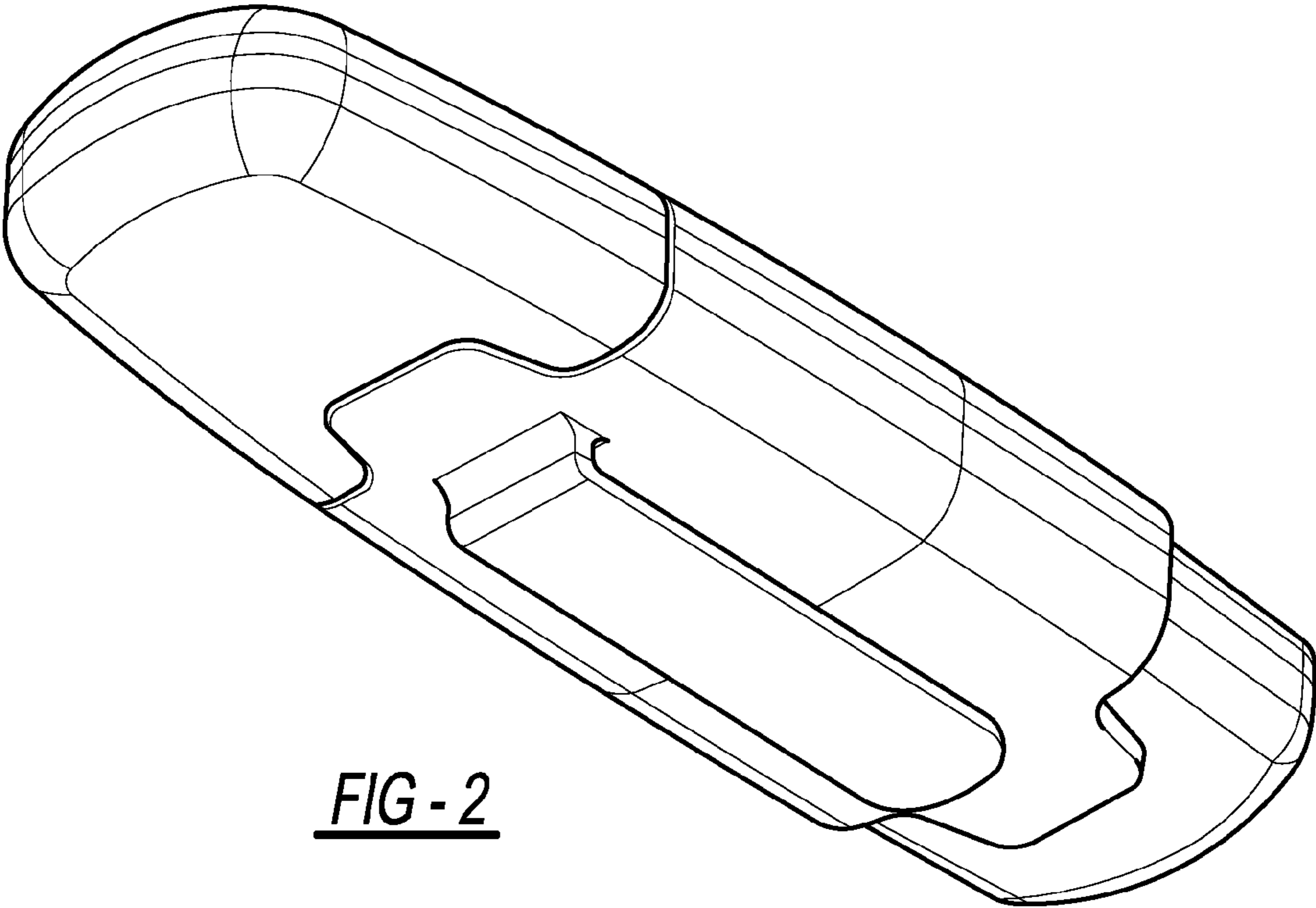


FIG - 2

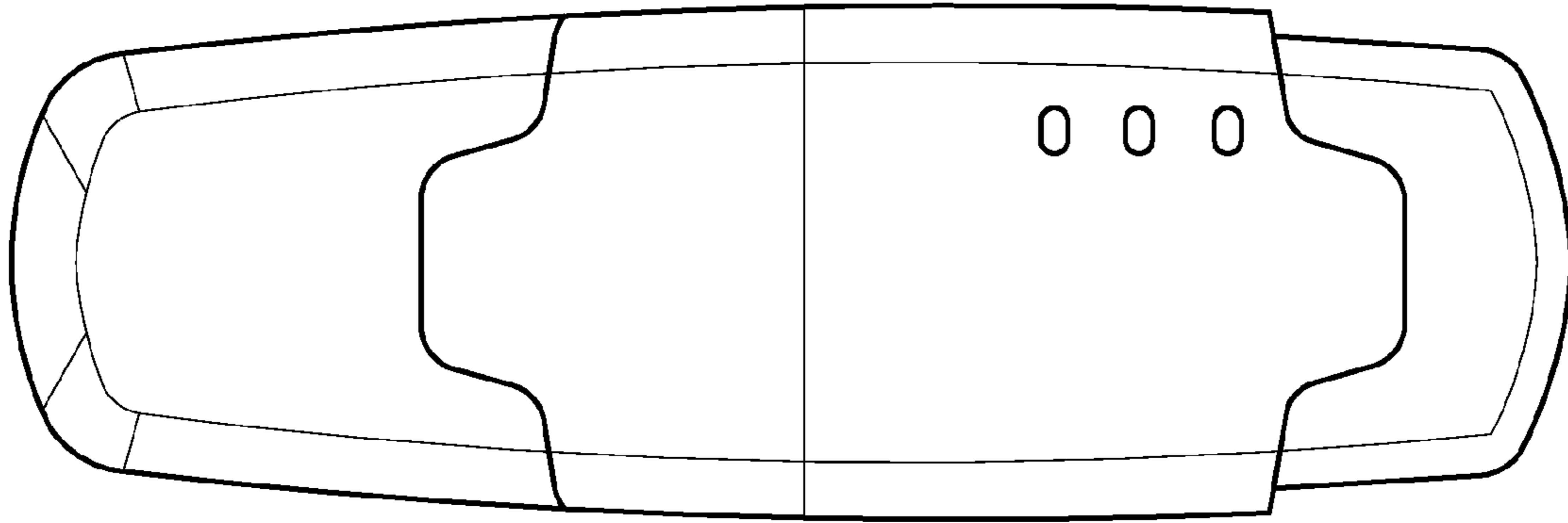


FIG - 3

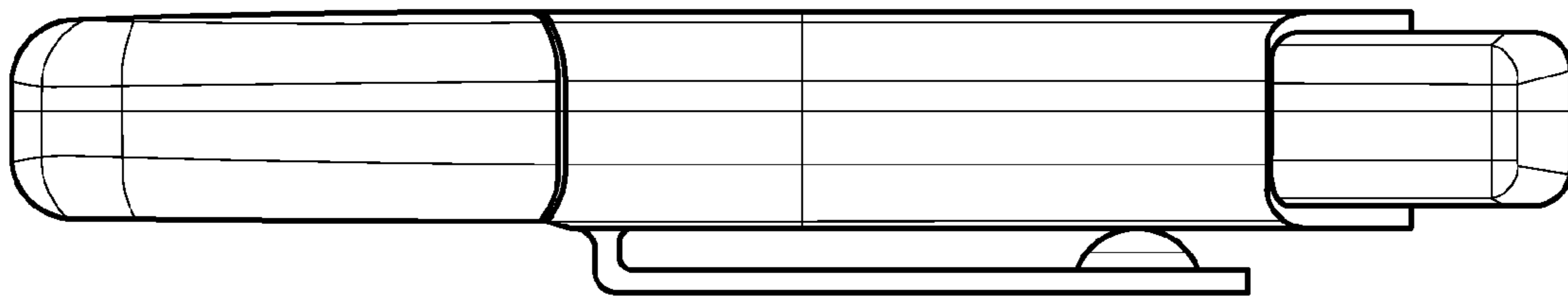


FIG - 4

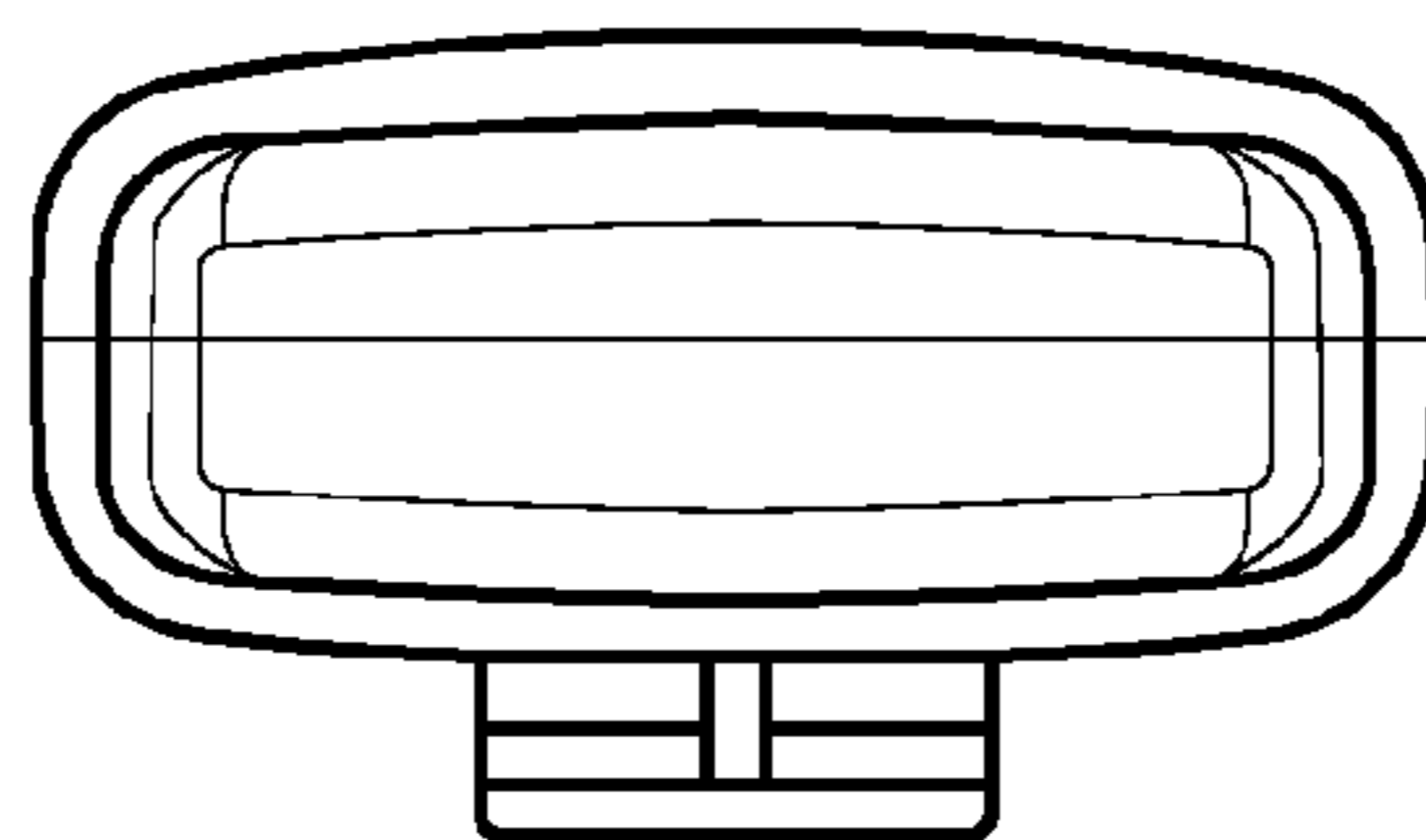


FIG - 5

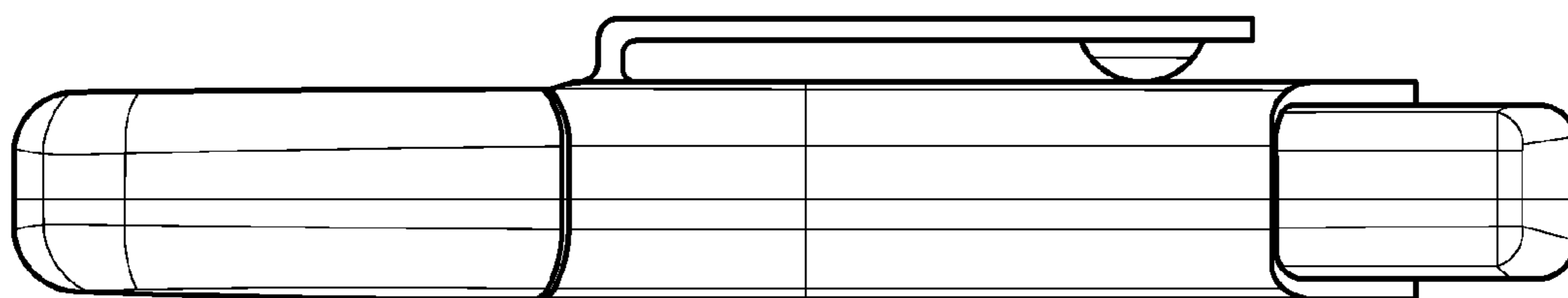


FIG - 6

FIG - 7

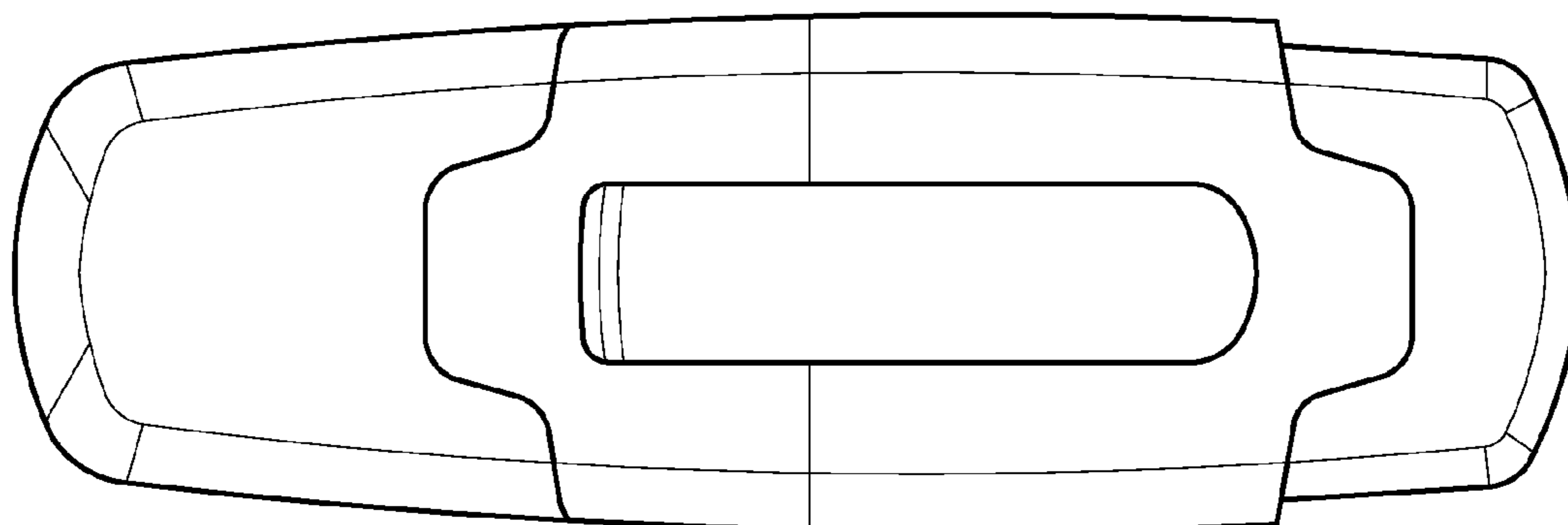
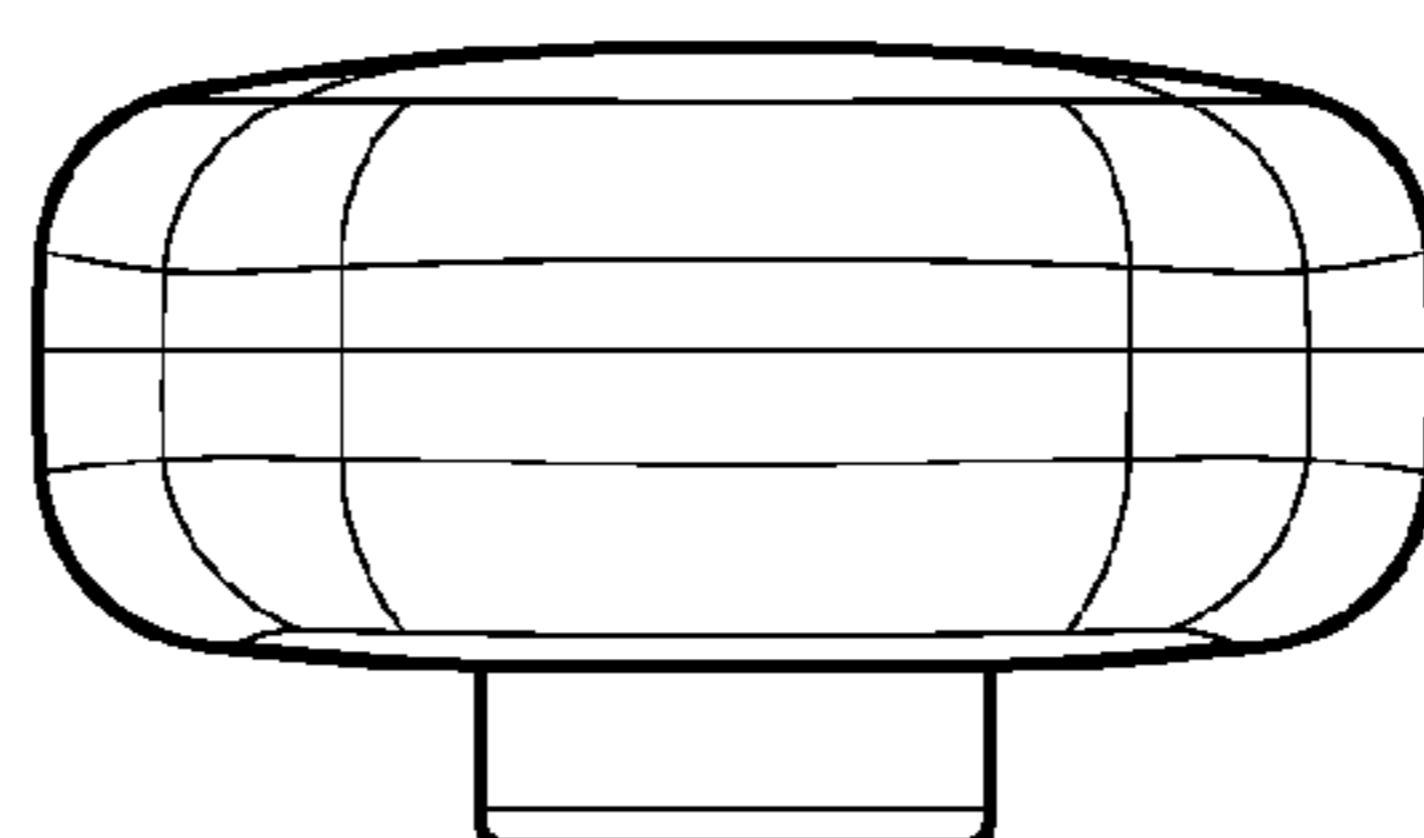


FIG - 8