



US00D633495S

(12) **United States Design Patent**  
**Yoon et al.**

(10) **Patent No.:** **US D633,495 S**  
(45) **Date of Patent:** **\*\* Mar. 1, 2011**

(54) **ACCESS DEVICE**

D594,864 S \* 6/2009 Song ..... D14/358  
D595,703 S \* 7/2009 Ahlgren ..... D14/240

(75) Inventors: **Herry Yoon**, Gimpo (KR); **Chang Yu**,  
Ansan (KR); **Kevin Strohmeyer**,  
Lafayette, CA (US)

(Continued)

(73) Assignee: **nComputing, Inc.**, Redwood City, CA  
(US)

**OTHER PUBLICATIONS**

(\*\*) Term: **14 Years**

X-series desktop virtualization kits, [online], [retrieved on Sep. 30,  
2010]. Retrieved from the Internet <URL: <http://www.ncomputing.com/products-overview>>.\*

(21) Appl. No.: **29/360,539**

*Primary Examiner*—Cathron C Brooks  
*Assistant Examiner*—Karen E Kearney

(22) Filed: **Apr. 27, 2010**

(74) *Attorney, Agent, or Firm*—Schwegman, Lundberg &  
Woessner, P.A.

(51) **LOC (9) Cl.** ..... **14-02**

(52) **U.S. Cl.** ..... **D14/356; D14/240**

(58) **Field of Classification Search** ..... D14/300–302,  
D14/313, 314, 341, 348–370, 383, 385, 432,  
D14/435, 436, 496, 125, 135, 137, 155, 167,  
D14/168, 214, 230, 231, 233, 235, 237, 240–242,  
D14/299; D3/201, 273; D18/56; D10/65,  
D10/75, 78; D13/103, 149, 162, 184, 199;  
361/679.31–679.45, 752; 711/100, 115

(57) **CLAIM**

The ornamental design for an access device, as shown and  
described.

See application file for complete search history.

**DESCRIPTION**

(56) **References Cited**

FIG. 1 is a front view of an access device showing our new  
design;

**U.S. PATENT DOCUMENTS**

D189,503 S *	12/1960	Frankel	.....	D14/168
D190,202 S *	4/1961	Hirsch	.....	D14/168
D323,820 S *	2/1992	Gauldfeldt et al.	.....	D14/368
D355,172 S *	2/1995	Hadaegh	.....	D14/242
D372,474 S *	8/1996	Ford et al.	.....	D14/149
D376,330 S *	12/1996	Bellomo et al.	.....	D10/106
D420,362 S *	2/2000	Pedraza et al.	.....	D14/242
D425,507 S *	5/2000	Horikoshi	.....	D14/168
D438,199 S *	2/2001	Arpe	.....	D14/240
D480,390 S *	10/2003	Miao et al.	.....	D14/240
D488,798 S *	4/2004	Ishii et al.	.....	D14/168
D518,039 S *	3/2006	Geringer	.....	D14/299
D566,065 S *	4/2008	Whittaker et al.	.....	D14/125
D566,667 S *	4/2008	Whittaker et al.	.....	D14/125
D566,710 S *	4/2008	Chun et al.	.....	D14/358
D589,914 S *	4/2009	Wang et al.	.....	D14/125
D589,916 S *	4/2009	Xie et al.	.....	D14/125

FIG. 2 is a rear view of the access device, according an  
example embodiment;

FIG. 3 is a left-side view of the access device, according to the  
example embodiment;

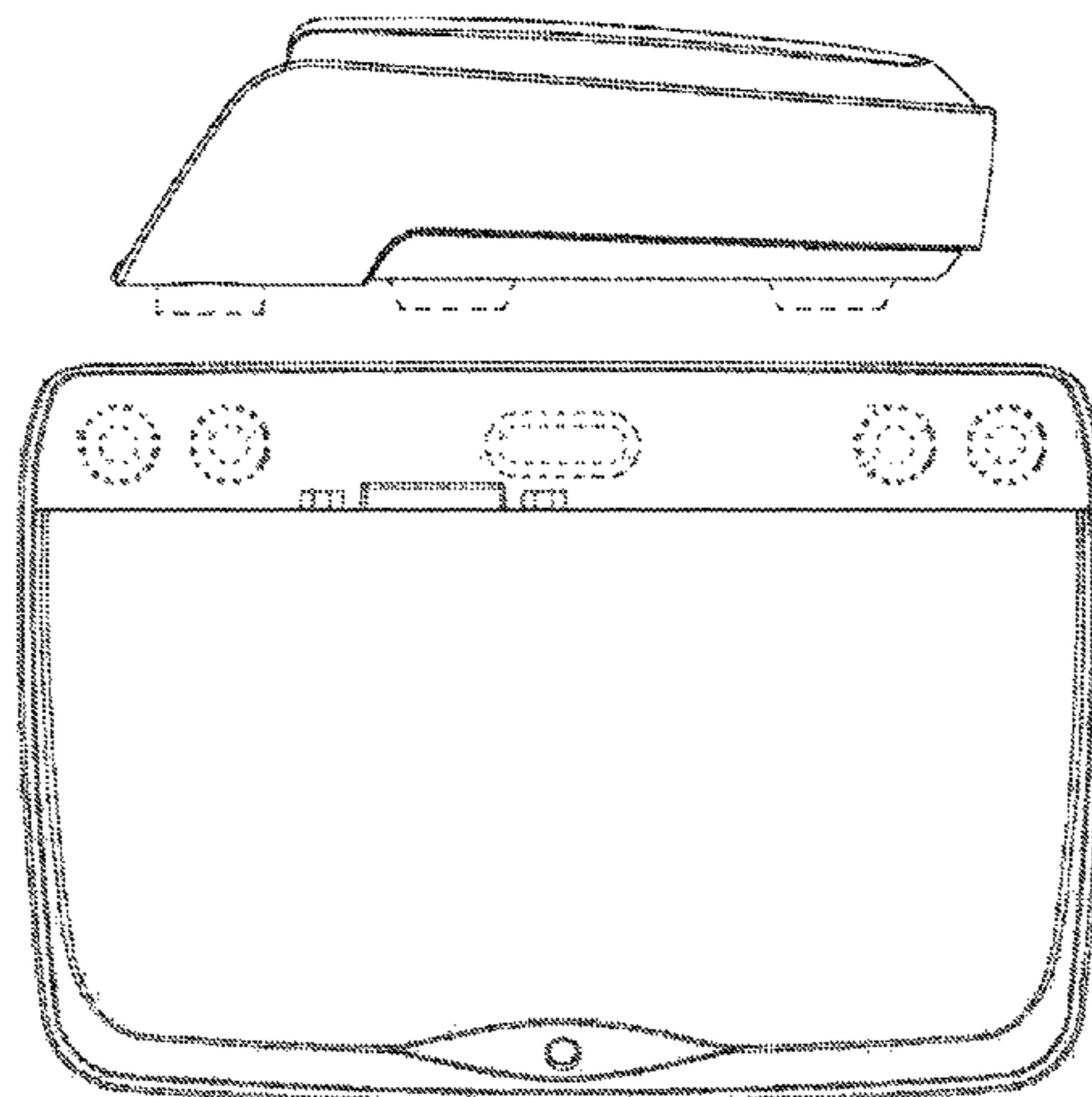
FIG. 4 is a right-side view of the access device, according to  
the example embodiment;

FIG. 5 is a top view of the access device, according to the  
example embodiment; and,

FIG. 6 is a bottom view of the access device, according to the  
example embodiment.

The broken lines in the drawings are for the purpose of illus-  
trating unclaimed portions of the access device and form no  
part of the claimed design.

**1 Claim, 3 Drawing Sheets**



# US D633,495 S

Page 2

---

## U.S. PATENT DOCUMENTS

D598,449 S *	8/2009	Landry et al. ....	D14/358	D607,443 S *	1/2010	Klein et al. ....	D14/240
D605,643 S *	12/2009	Landry et al. ....	D14/240	2004/0080905 A1 *	4/2004	Frank .....	361/683

\* cited by examiner

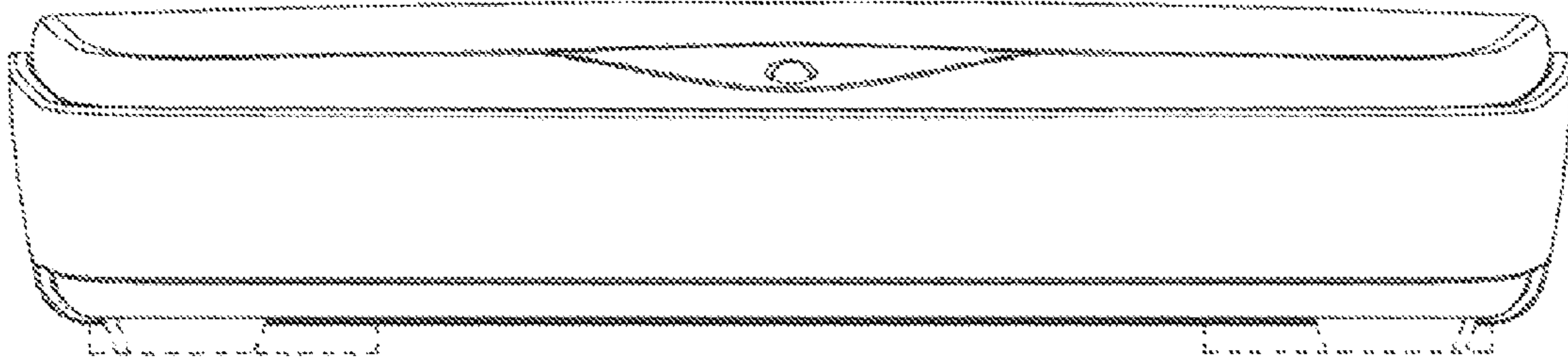


FIG. 1

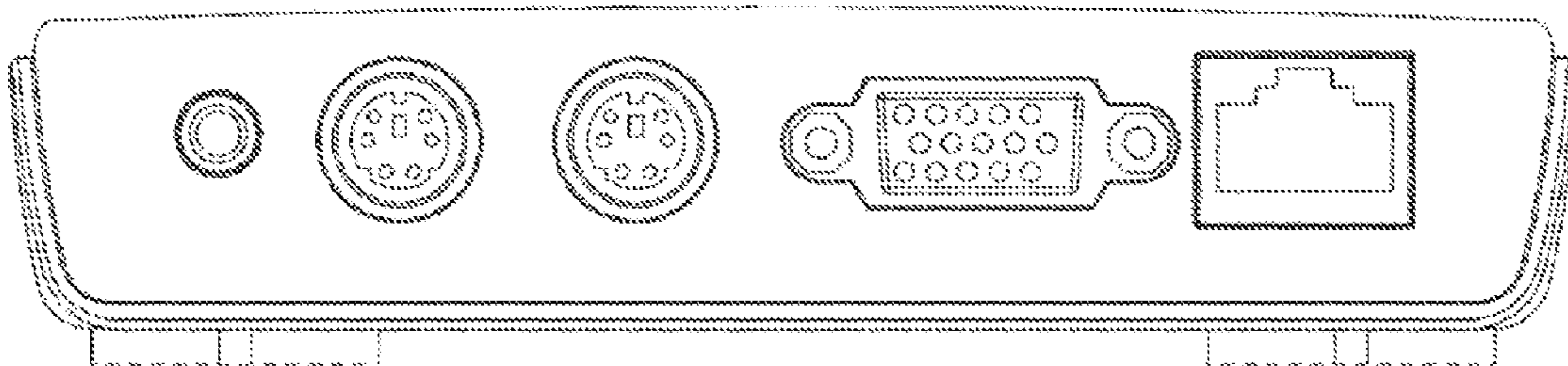


FIG. 2

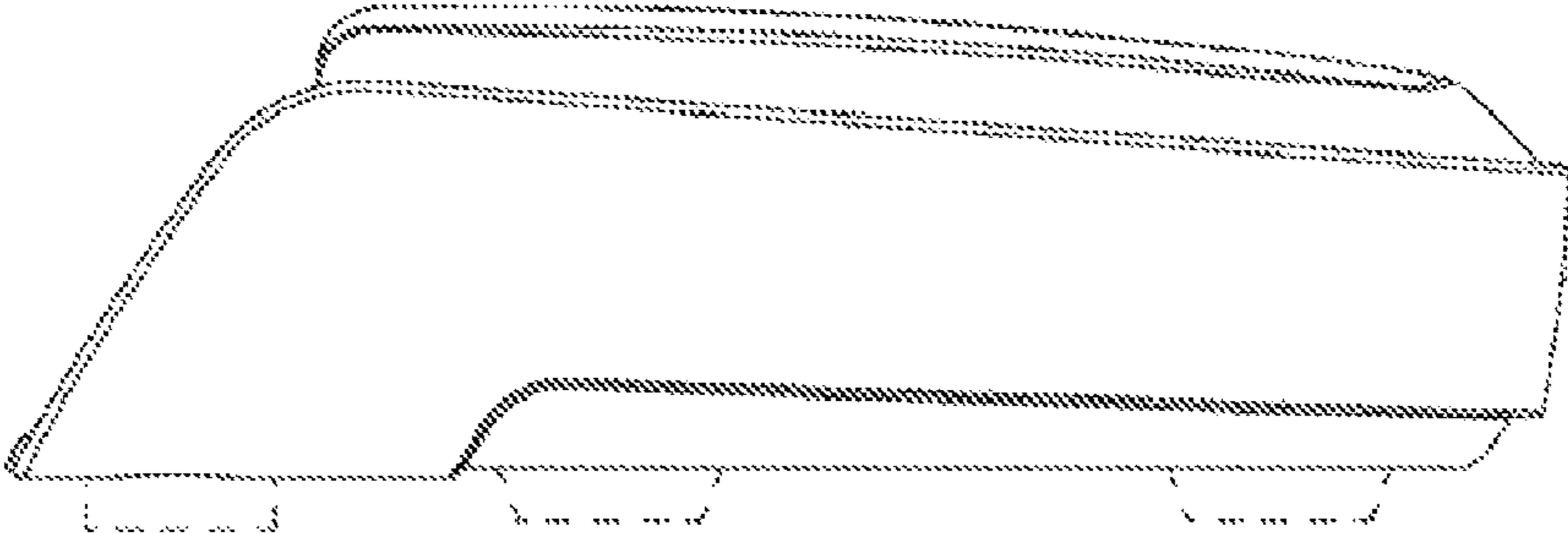


FIG. 3

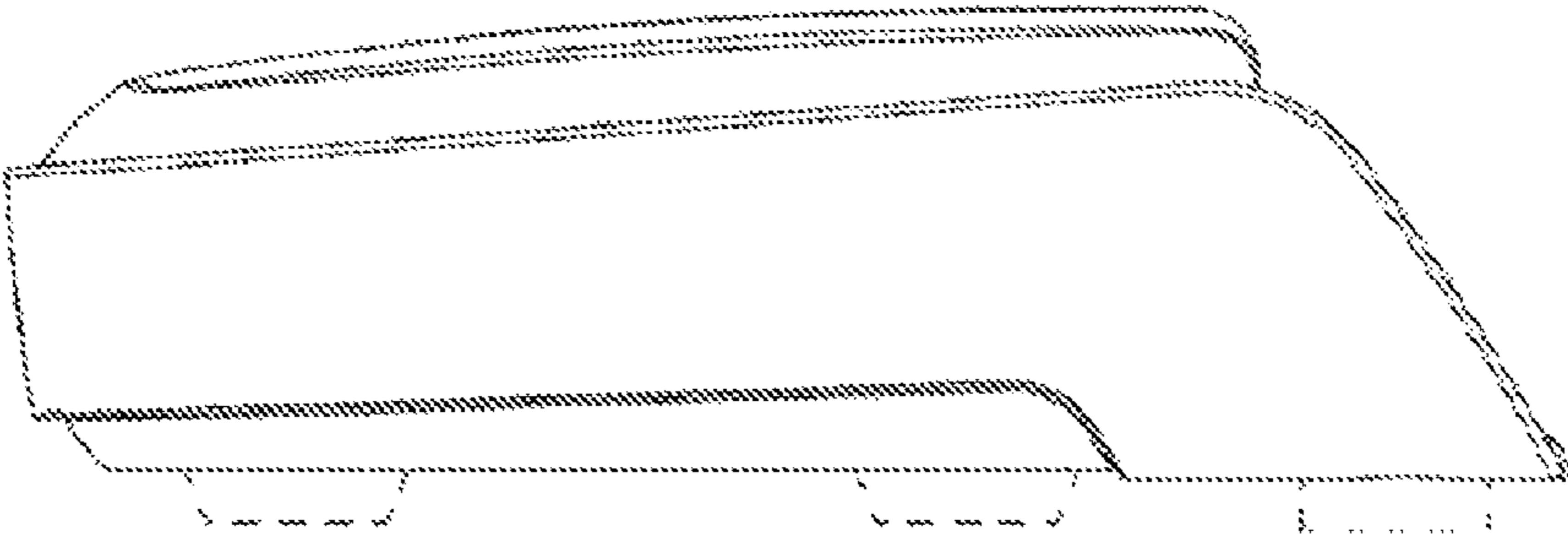


FIG. 4

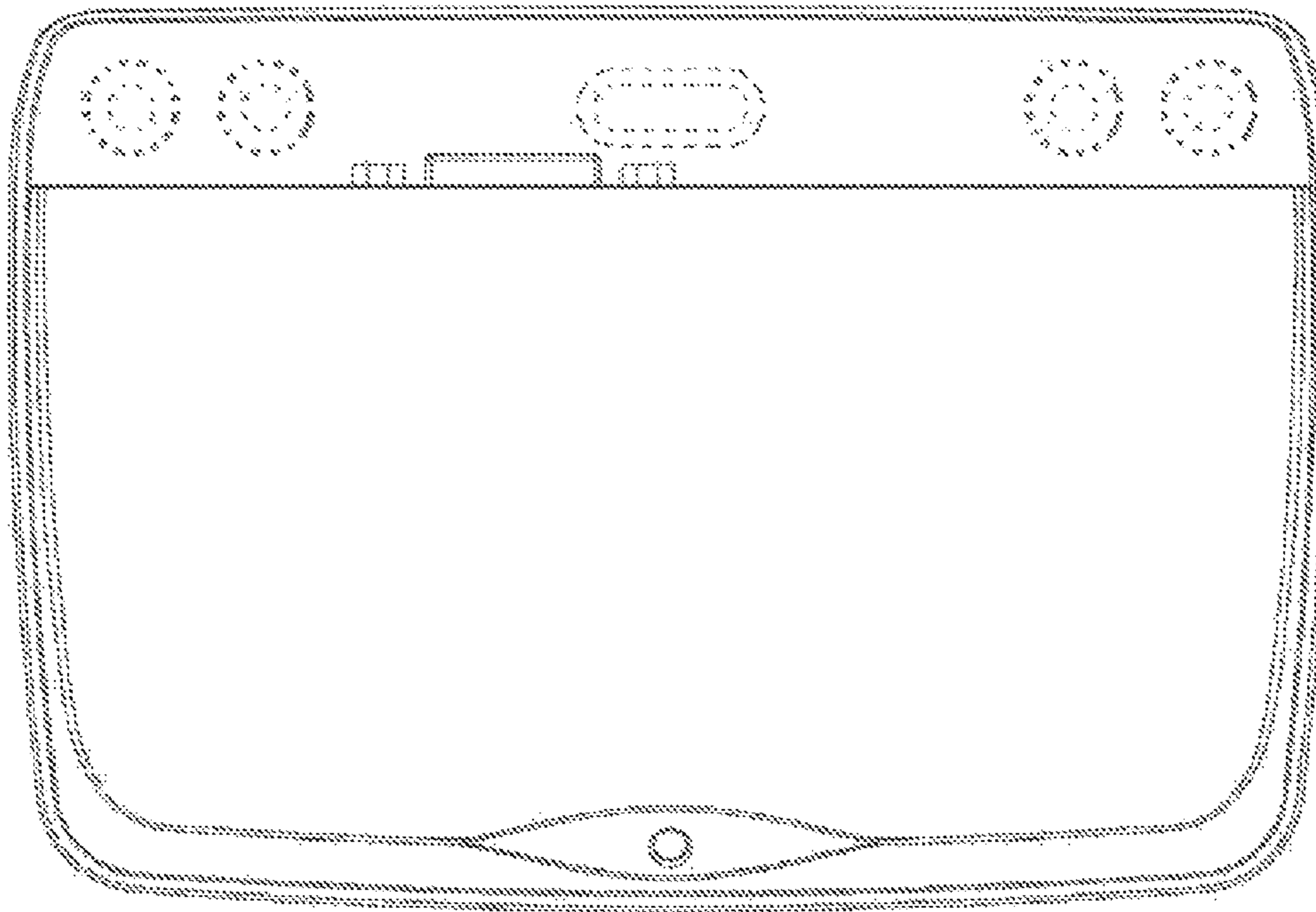


FIG. 5

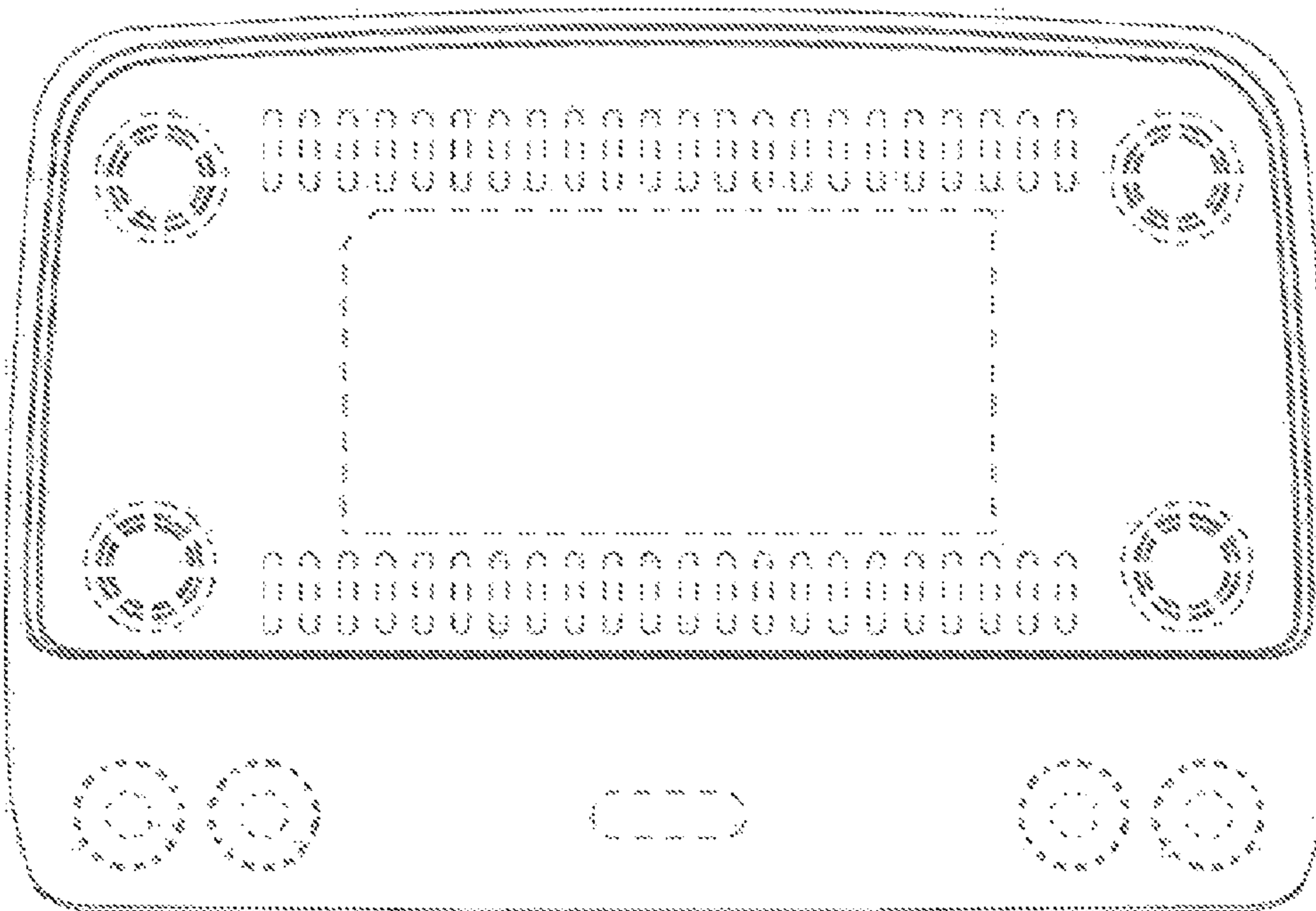


FIG. 6