

US00D633488S

(12) **United States Design Patent**
Kim et al.

(10) **Patent No.:** **US D633,488 S**
(45) **Date of Patent:** **** Mar. 1, 2011**

- (54) **NET BOOK**
- (75) Inventors: **Dae-Joung Kim**, Seoul (KR); **Jin-Le Ryu**, Seoul (KR); **Seung-Ho Lee**, Kyunggi-do (KR)
- (73) Assignee: **Samsung Electronics Co., Ltd.**, Suwon, Kyunggi-do (KR)
- (**) Term: **14 Years**
- (21) Appl. No.: **29/370,221**
- (22) Filed: **Jun. 17, 2010**

- D567,236 S 4/2008 Yoon
- D578,523 S 10/2008 Yoon
- D578,524 S 10/2008 Yoon
- D578,525 S 10/2008 Yoon
- D580,432 S 11/2008 Yun et al.
- D586,343 S 2/2009 Lee et al.
- D586,796 S 2/2009 Lee et al.
- D586,797 S 2/2009 Kawase et al.
- D587,701 S 3/2009 Yoon
- D596,633 S 7/2009 Kawase et al.
- D603,391 S 11/2009 Song et al.
- D603,392 S 11/2009 Jeong et al.
- D603,393 S 11/2009 Paek
- D603,394 S 11/2009 Lee

- (51) **LOC (9) Cl.** **14-02**
 - (52) **U.S. Cl.** **D14/315**
 - (58) **Field of Classification Search** D14/315-328;
D18/1, 2, 7, 11; 235/145 A, 145 R; 341/22,
341/23; 345/104, 156, 168, 169, 173, 87,
345/901-905; 361/679.01-679.09, 679.27;
400/486, 489; 710/14
- See application file for complete search history.

(Continued)

OTHER PUBLICATIONS

U.S. Appl. No. 29/313,601, Applicant: Seung-Hyun Paek, filed Jan. 26, 2009 entitled Notebook Computer.

(Continued)

Primary Examiner—Freda S Nunn
(74) *Attorney, Agent, or Firm*—Flynn, Thiel, Boutell & Tanis, P.C.

(56) **References Cited**

U.S. PATENT DOCUMENTS

- D332,944 S 2/1993 Kim
- D334,738 S 4/1993 Kim
- D335,870 S 5/1993 Yun
- D336,465 S 6/1993 Kim
- D338,457 S 8/1993 Kim
- D348,442 S 7/1994 Yoon
- 6,067,224 A * 5/2000 Nobuchi 361/679.27
- 6,519,139 B2 * 2/2003 Kambayashi 361/679.09
- D492,678 S 7/2004 Kim et al.
- D523,010 S 6/2006 Paek et al.
- D523,431 S 6/2006 Yoon
- D523,851 S 6/2006 Jeong et al.
- D523,852 S 6/2006 Kim et al.
- D524,306 S 7/2006 Yun et al.
- D524,307 S 7/2006 Kim et al.
- D535,652 S 1/2007 Lee et al.
- D547,309 S 7/2007 Yoon
- D547,310 S 7/2007 Yoon
- D556,192 S 11/2007 Jeong et al.

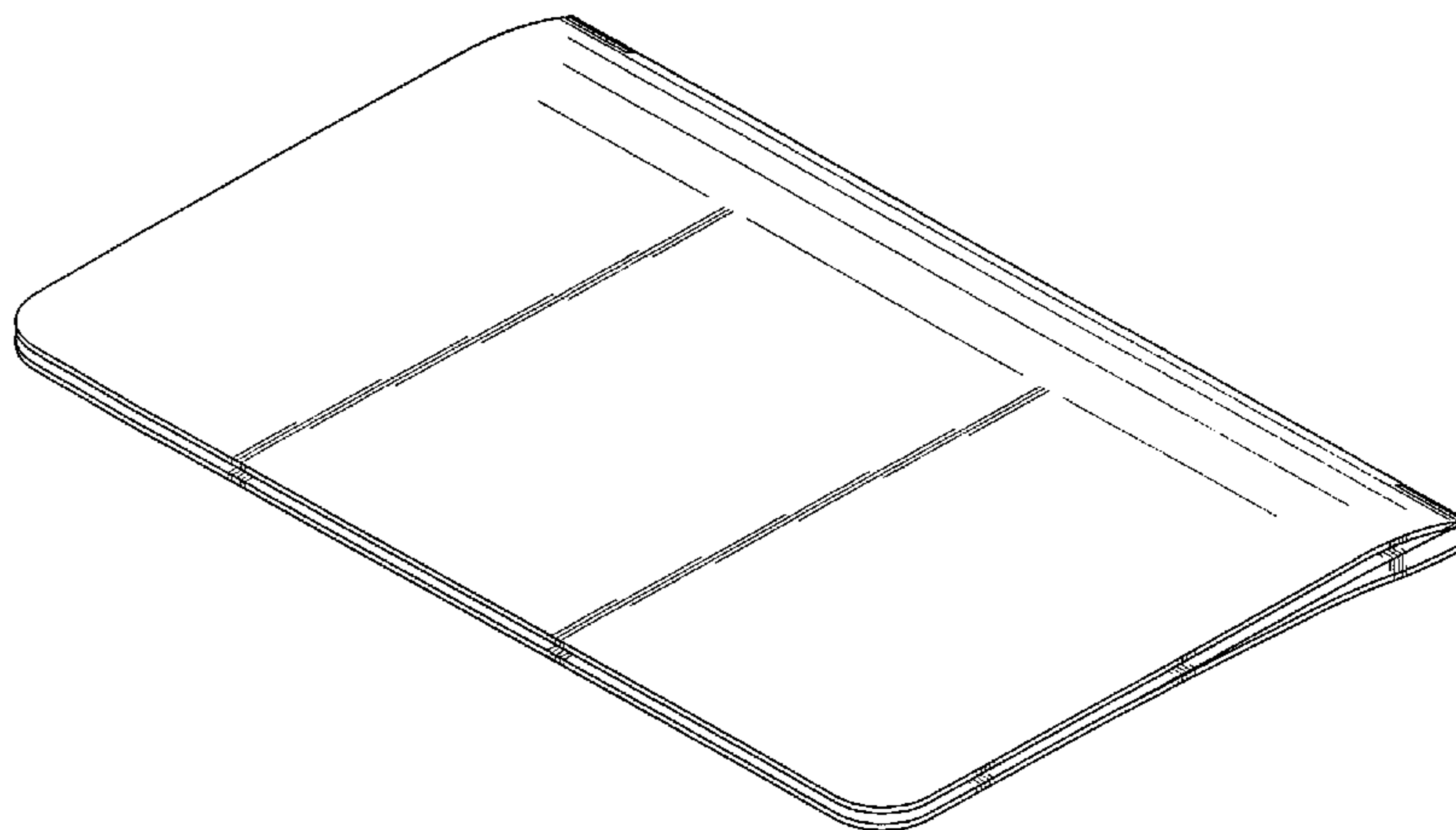
(57) **CLAIM**

The ornamental design for a Net book, as shown and described.

DESCRIPTION

FIG. 1 is a top front perspective view of a Net book showing our new design;
FIG. 2 is a front elevational view thereof;
FIG. 3 is a rear elevational view thereof;
FIG. 4 is a left side elevational view thereof;
FIG. 5 is a right side elevational view thereof;
FIG. 6 is a top plan view thereof; and,
FIG. 7 is a bottom plan view thereof.

1 Claim, 3 Drawing Sheets



U.S. PATENT DOCUMENTS

D603,395 S 11/2009 Hong et al.
D603,861 S 11/2009 Hong et al.
D606,067 S 12/2009 Yoon
D606,068 S 12/2009 Hong et al.
D606,069 S 12/2009 Heck et al.
D606,070 S 12/2009 Heck et al.
D606,534 S 12/2009 Hong et al.
D608,777 S 1/2010 Yoon
D611,468 S 3/2010 Yun et al.
D614,614 S 4/2010 Yoon
D614,615 S 4/2010 Yoon
2005/0018396 A1* 1/2005 Nakajima et al. 361/683
2005/0041378 A1* 2/2005 Hamada et al. 361/680

OTHER PUBLICATIONS

U.S. Appl. No. 29/349,005, Applicant: Atsushi Kawase et al., filed Mar. 1, 2010 entitled Note Book.
U.S. Appl. No. 29/349,008, Applicant: Se-O Lee et al., filed Mar. 2, 2010 entitled Net Book.
U.S. Appl. No. 29/349,009, Applicant: Sang-Won Yoon et al., filed Mar. 2, 2010 entitled Net Book.
U.S. Appl. No. 29/349,010, Applicant: Seung-Hyun Paek et al., filed Mar. 2, 2010 entitled Net Book.
U.S. Appl. No. 29/349,011, Applicant: Se-O Lee et al., filed Mar. 2, 2010, entitled Net Book.

U.S. Appl. No. 29/349,022, Applicant: Sang-Won Yoon, et al., filed Mar. 2, 2010 entitled Net Book.
U.S. Appl. No. 29/349,023, Applicant: Sang-Won Yoon, filed Mar. 2, 2010 entitled Net Book.
U.S. Appl. No. 29/349,024, Applicant: Seung-Hyun Paek, filed Mar. 2, 2010 entitled Net Book.
U.S. Appl. No. 29/349,025, Applicant: Sang-Won Yoon, filed Mar. 2, 2010 entitled Net Book.
U.S. Appl. No. 29/349,395, Applicant: Anders P. Jensen et al., filed Mar. 31, 2010 entitled Note Book.
U.S. Appl. No. 29/349,397, Applicant: Atsushi Kawase, filed Mar. 31, 2010 entitled Net Book.
U.S. Appl. No. 29/349,401, Applicant: Anders P. Jensen et al., filed Mar. 31, 2010 entitled Note Book.
U.S. Appl. No. 29/349,402, Applicant: Atsushi Kawase, filed Mar. 31, 2010 entitled Note Book.
U.S. Appl. No. 29/349,403, Applicant: Atsushi Kawase, filed Mar. 31, 2010 entitled Net Book.
U.S. Appl. No. 29/349,404, Applicant: Atsushi Kawase, filed Mar. 31, 2010 entitled Net Book.
U.S. Appl. No. 29/370,220, Applicant: Dae-Joung Kim et al., filed Jun. 17, 2010 entitled Net Book.
U.S. Appl. No. 29/370,232, Applicant: Dae-Joung Kim et al., filed Jun. 17, 2010 entitled Net Book.
U.S. Appl. No. 29/370,230, Applicant: Dae-Joung Kim et al., filed Jun. 17, 2010 entitled Net Book.

* cited by examiner

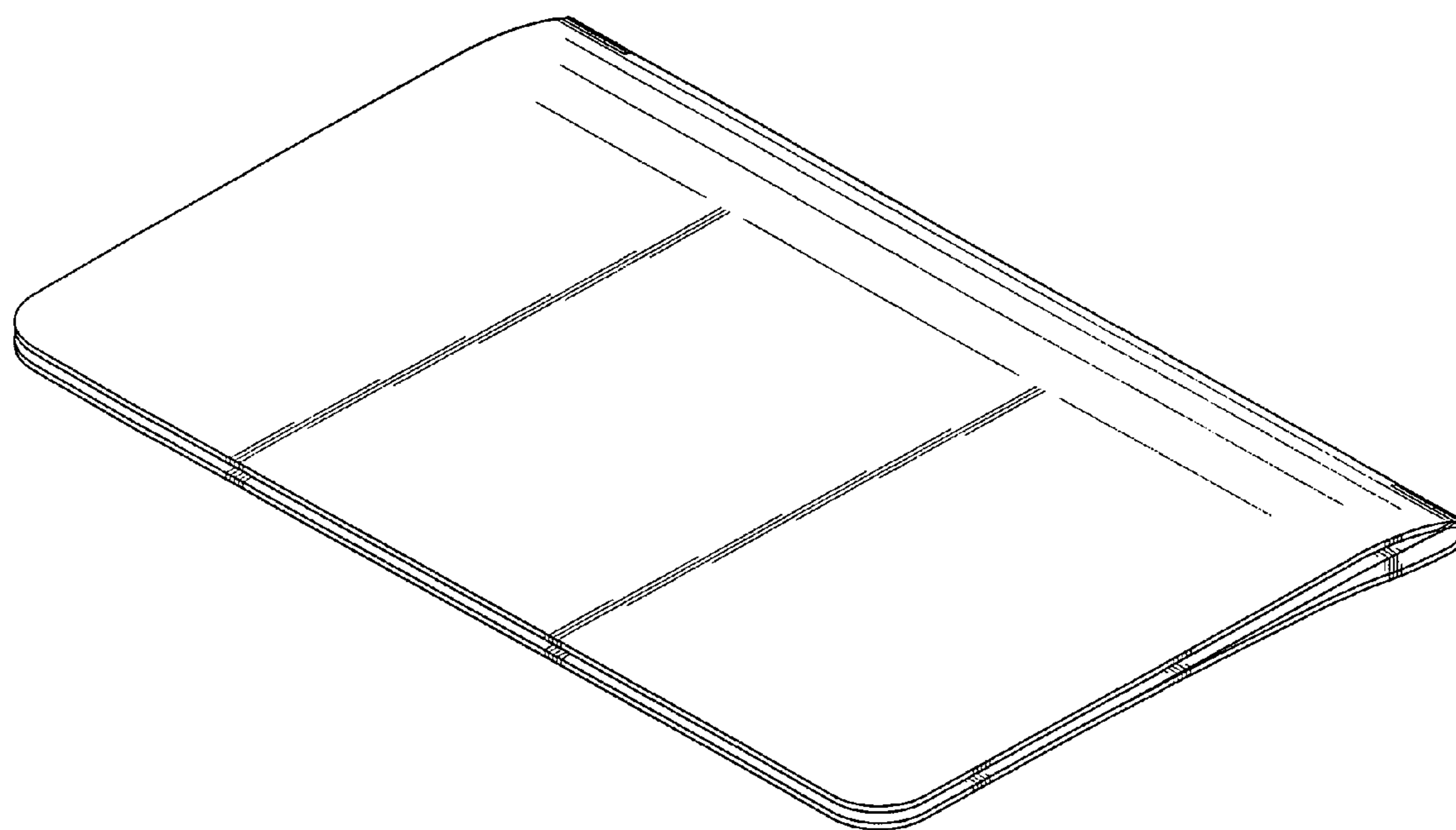


FIG. 1

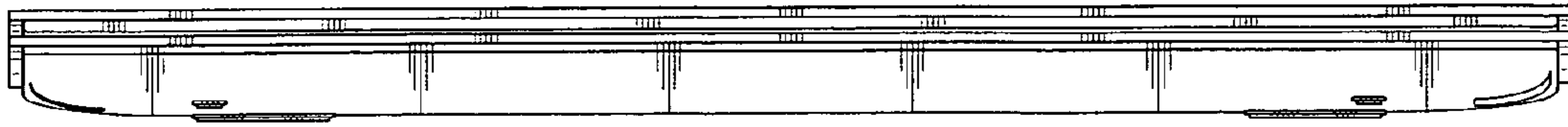


FIG. 2

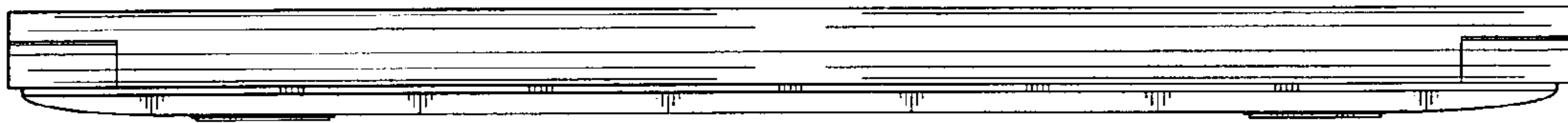


FIG. 3

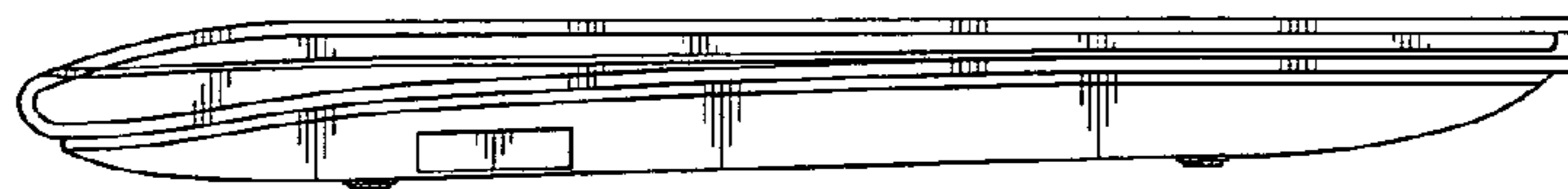


FIG. 4

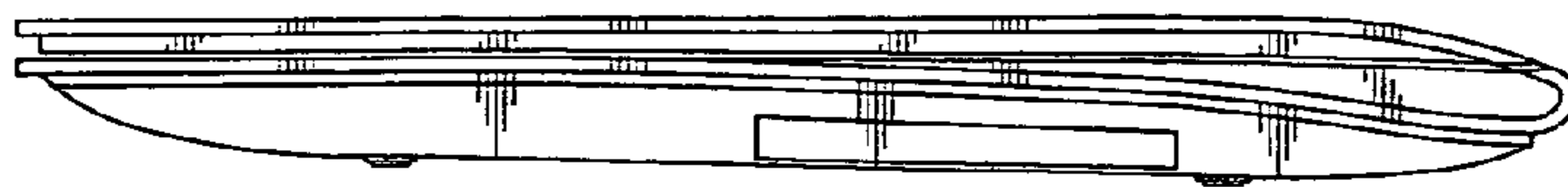


FIG. 5



FIG. 6

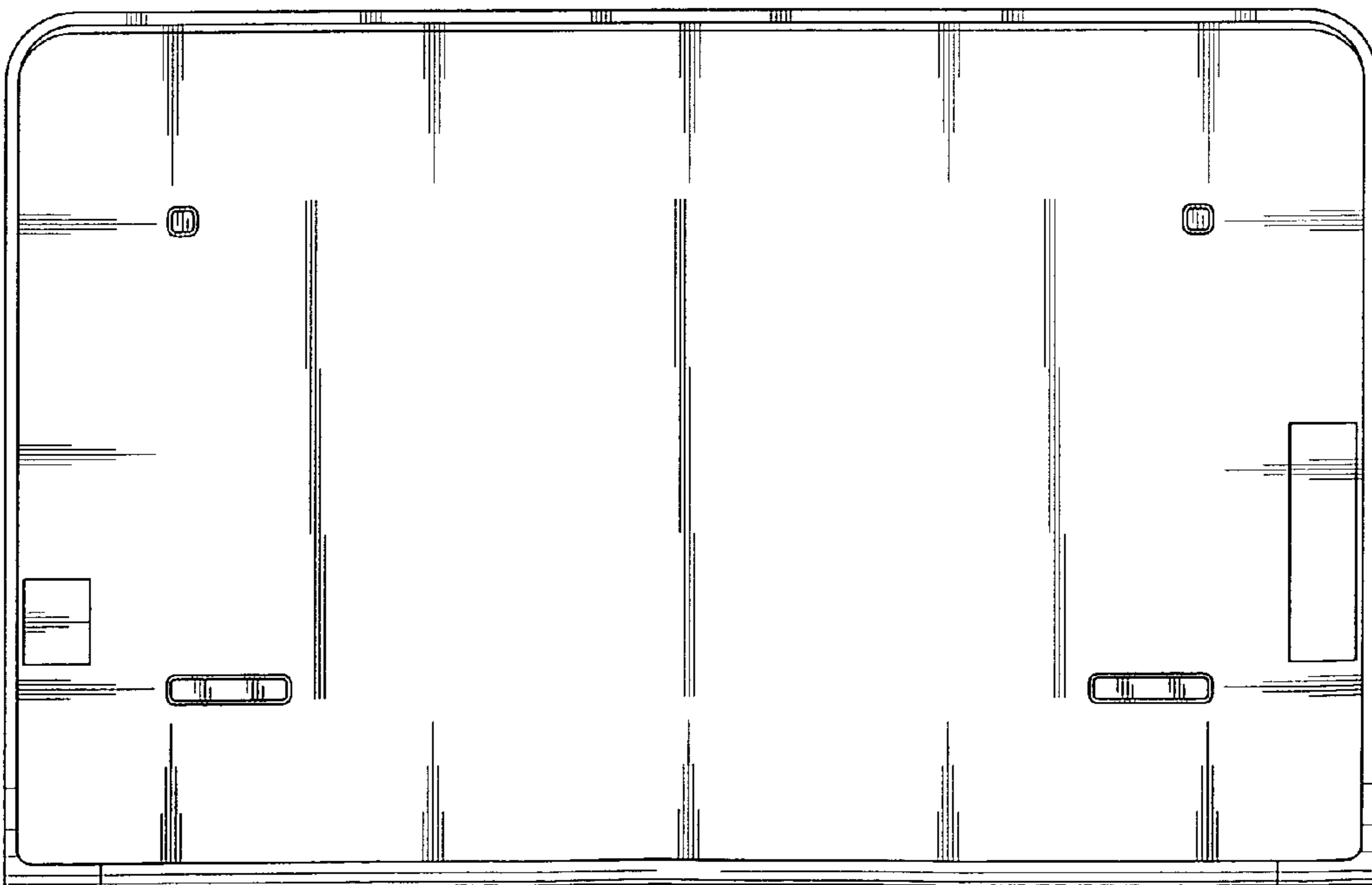


FIG. 7