



US00D633483S

(12) **United States Design Patent**  
**Su et al.**

(10) **Patent No.:** **US D633,483 S**  
(45) **Date of Patent:** **\*\* Mar. 1, 2011**

(54) **DOUBLE-BAND ANTENNA**

(75) Inventors: **Jia-Hung Su**, Tu-Cheng (TW); **Kai Shih**, Tu-Cheng (TW)

(73) Assignee: **Cheng Uei Precision Industry Co., Ltd.**, Tu-Cheng, Taipei Hsien (TW)

(\*\*) Term: **14 Years**

(21) Appl. No.: **29/377,062**

(22) Filed: **Oct. 15, 2010**

(51) **LOC (9) Cl.** ..... **14-03**

(52) **U.S. Cl.** ..... **D14/230**

(58) **Field of Classification Search** ..... D14/138,  
D14/230-238, 299, 358; D12/42, 43; 343/700 MS,  
343/700 R-705, 711-713, 741, 748, 767,  
343/795, 819, 840, 846, 866, 871-908; 455/90.2,  
455/90.3, 91, 128, 269, 344, 347, 562.1;  
333/193, 195

See application file for complete search history.

(56) **References Cited**

**U.S. PATENT DOCUMENTS**

D603,850 S	*	11/2009	Wu et al.	.....	D14/230
D606,053 S	*	12/2009	Wu et al.	.....	D14/230
D608,354 S	*	1/2010	Yang et al.	.....	D14/230
D612,368 S	*	3/2010	Yang et al.	.....	D14/230
D618,223 S	*	6/2010	Tsai et al.	.....	D14/230

D621,819 S	*	8/2010	Tsai et al.	.....	D14/230
2009/0002244 A1	*	1/2009	Woo	.....	343/702
2009/0040110 A1	*	2/2009	Chien et al.	.....	343/700 MS
2009/0146906 A1	*	6/2009	Anguera Pros et al.	.....	343/906
2009/0243935 A1	*	10/2009	Huang et al.	.....	343/700 MS
2009/0267840 A1	*	10/2009	Xu et al.	.....	343/700 MS
2010/0013715 A1	*	1/2010	Yu et al.	.....	343/700 MS

\* cited by examiner

*Primary Examiner*—Celila A Murphy

*Assistant Examiner*—John Windmuller

(74) *Attorney, Agent, or Firm*—Cheng-Ju Chiang

(57) **CLAIM**

The ornamental design for a double-band antenna, as shown and described.

**DESCRIPTION**

FIG. 1 is a perspective view of a double-band antenna showing our new design;

FIG. 2 is a front elevational view thereof;

FIG. 3 is a rear elevational view thereof;

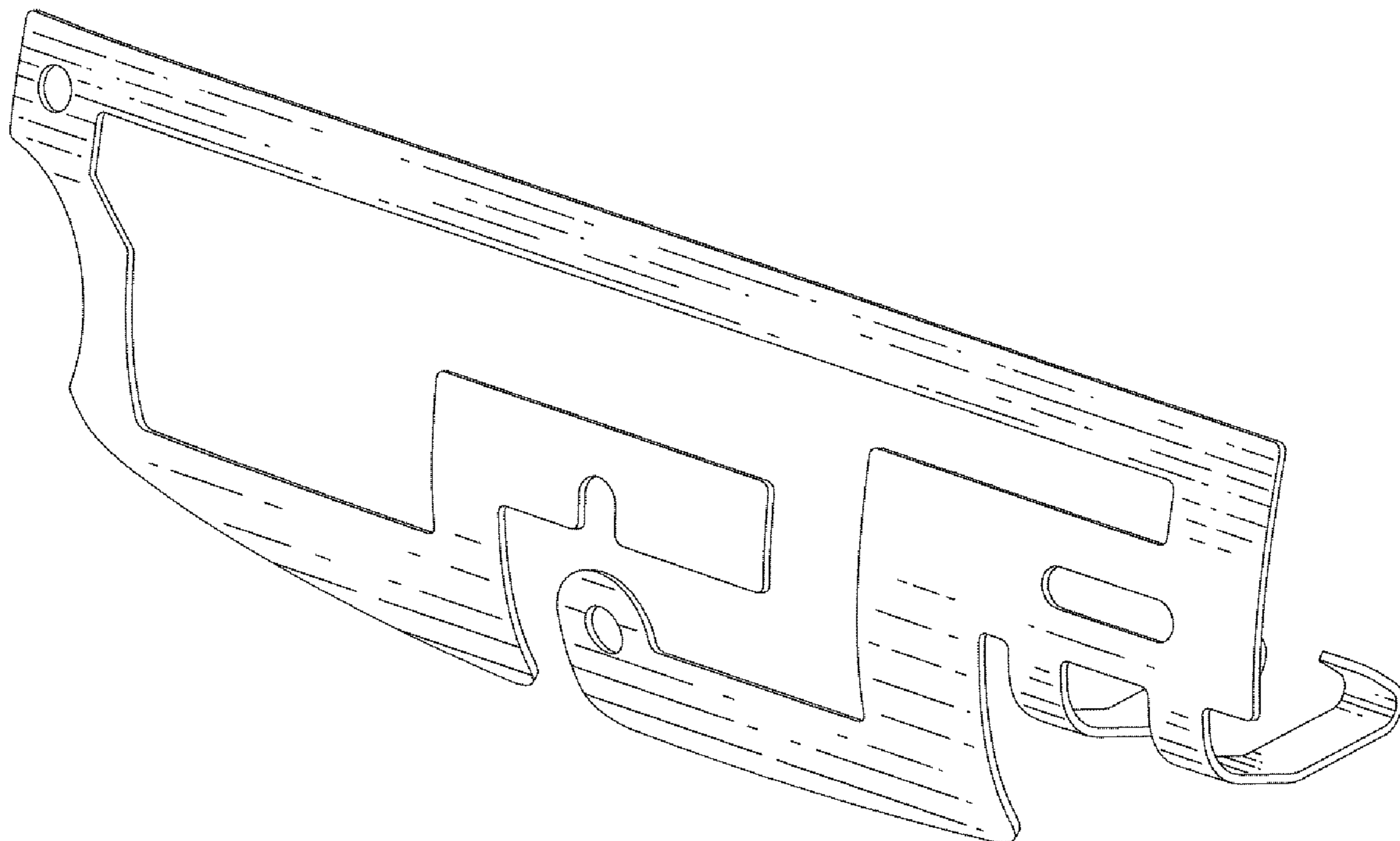
FIG. 4 is a left side elevational view thereof;

FIG. 5 is a right side elevational view thereof;

FIG. 6 is a top plan view thereof; and,

FIG. 7 is a bottom plan view thereof.

**1 Claim, 7 Drawing Sheets**



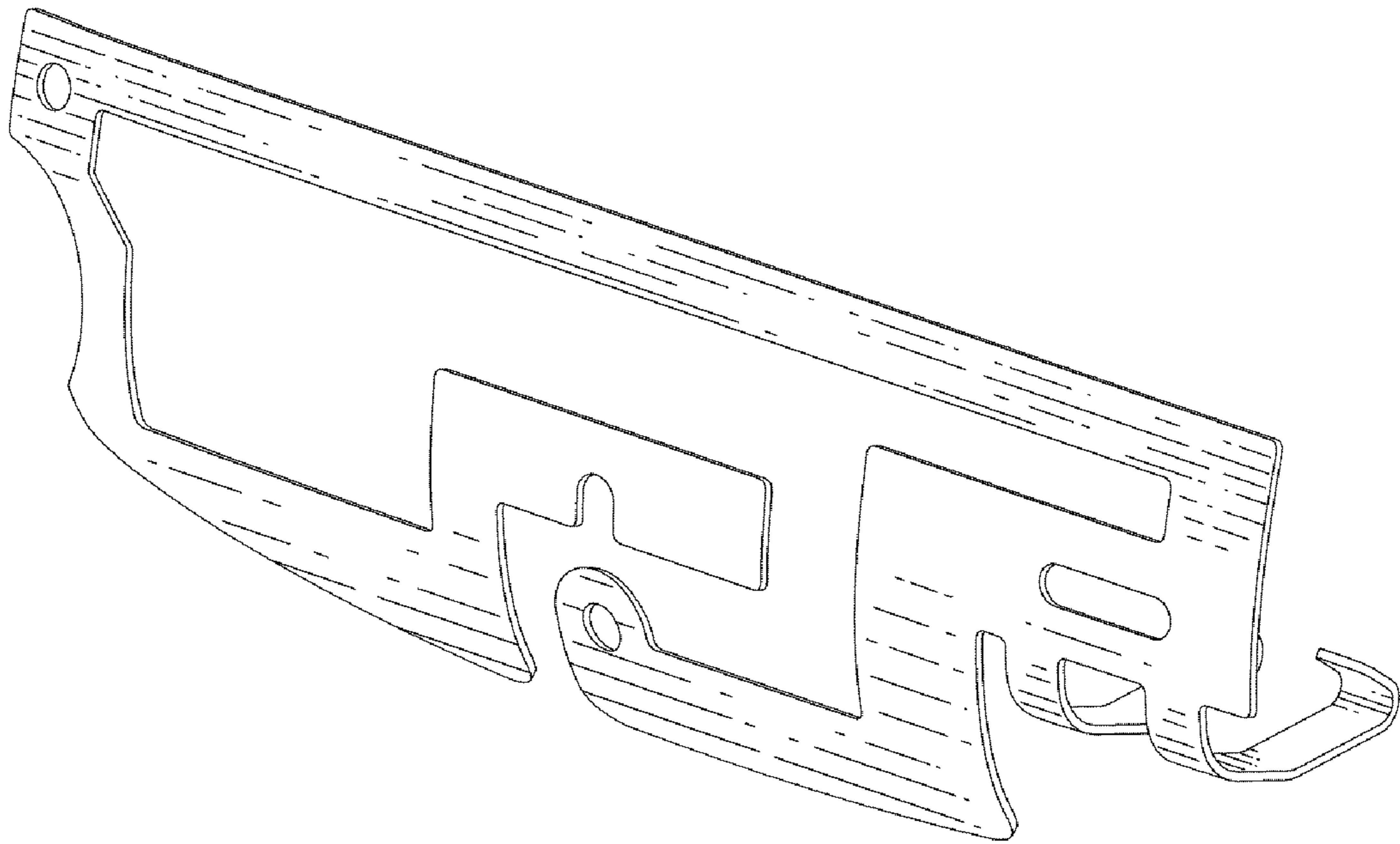


FIG. 1

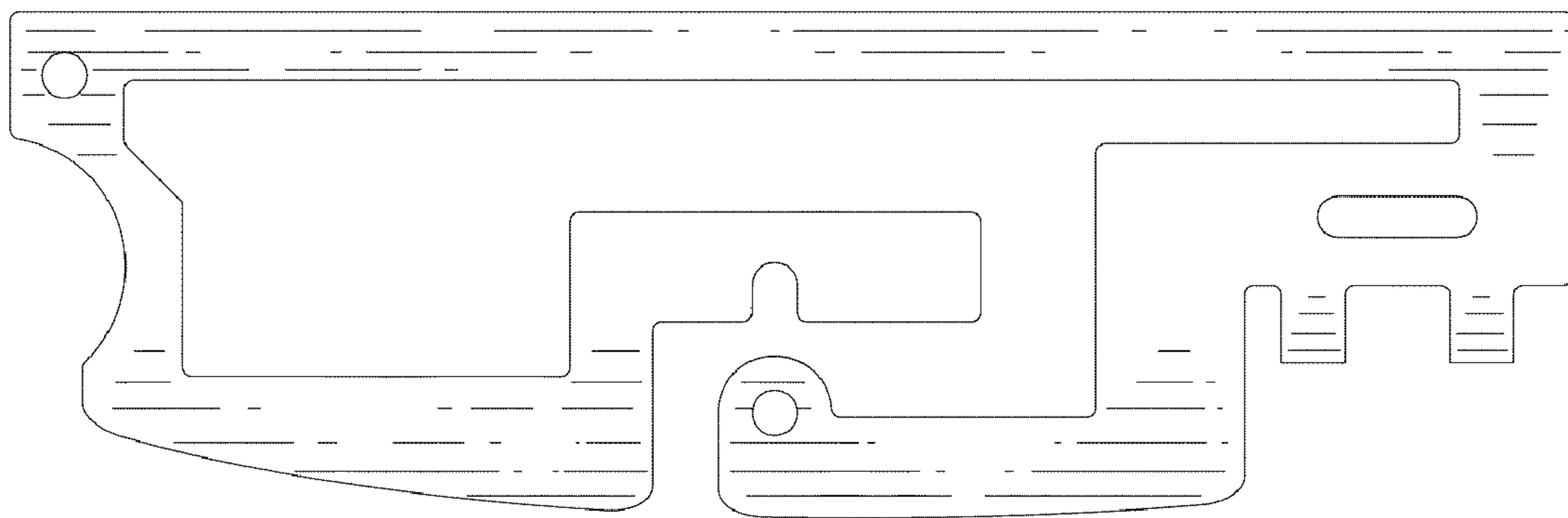


FIG. 2

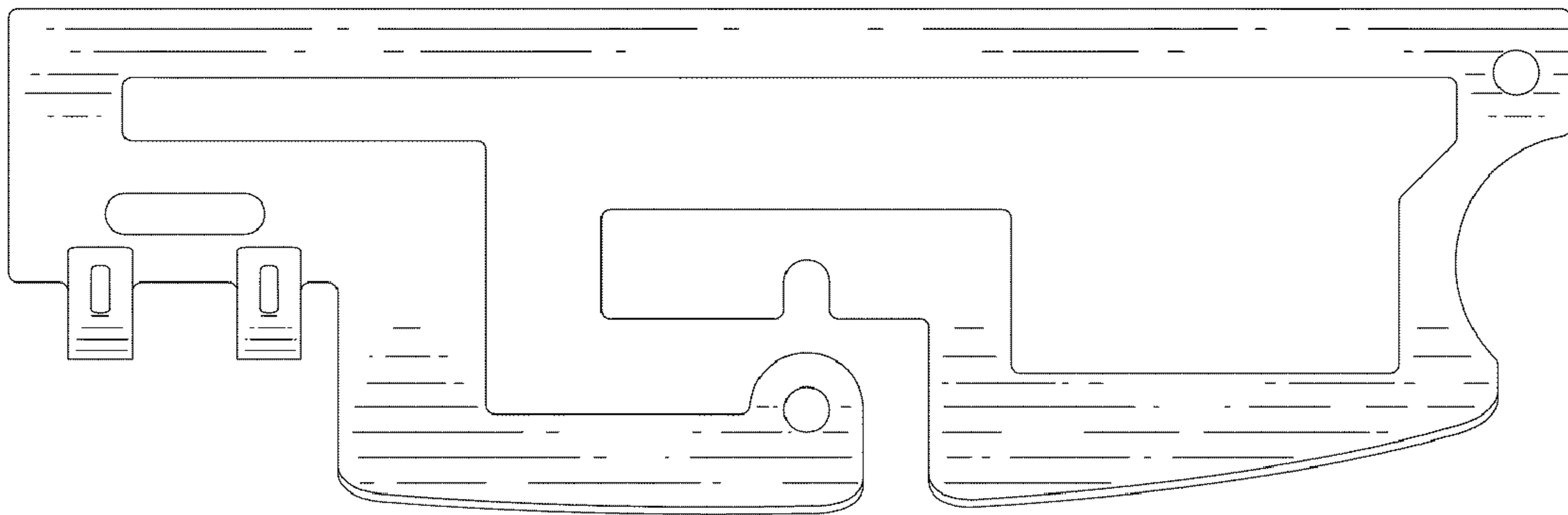


FIG. 3

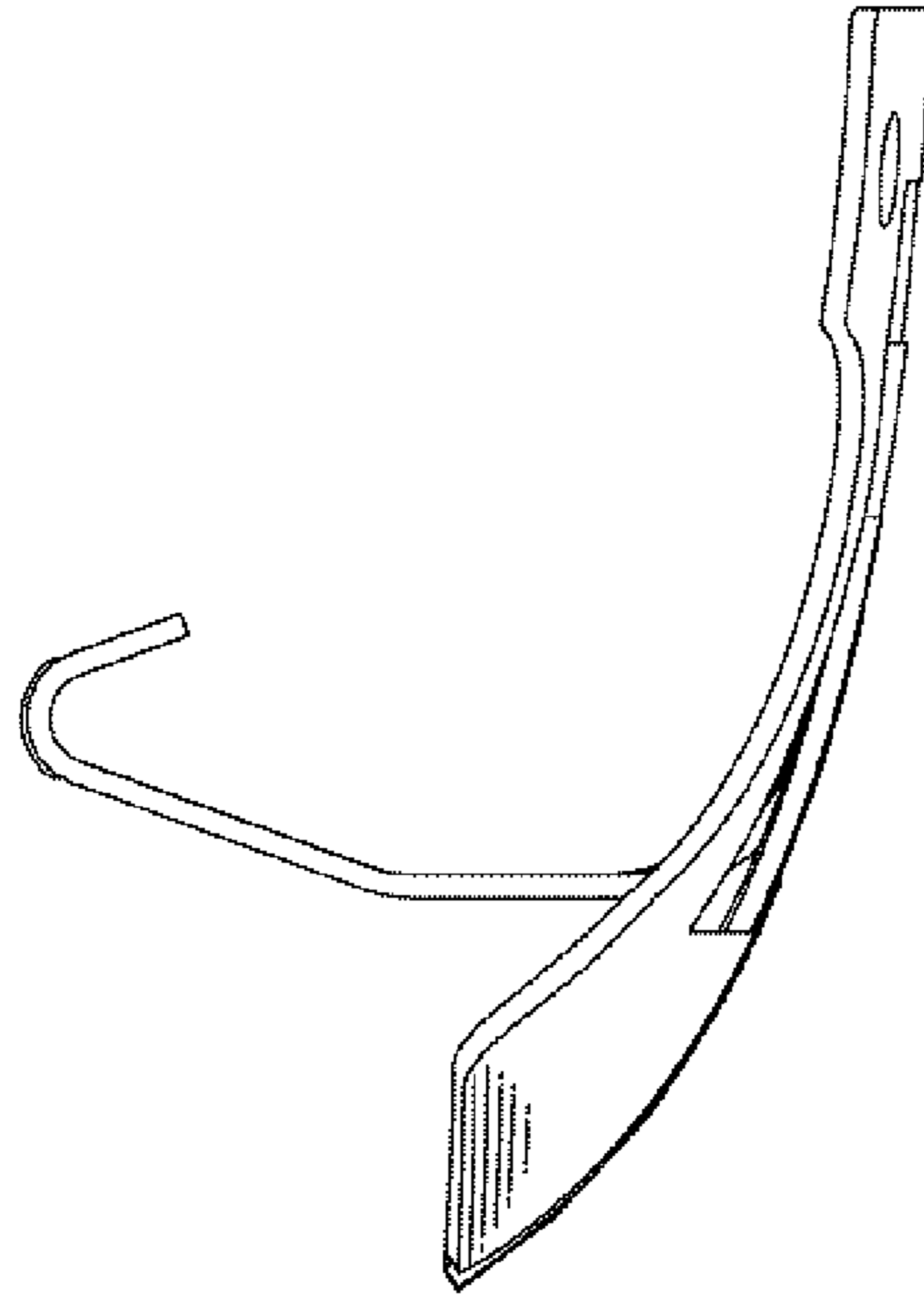


FIG. 4

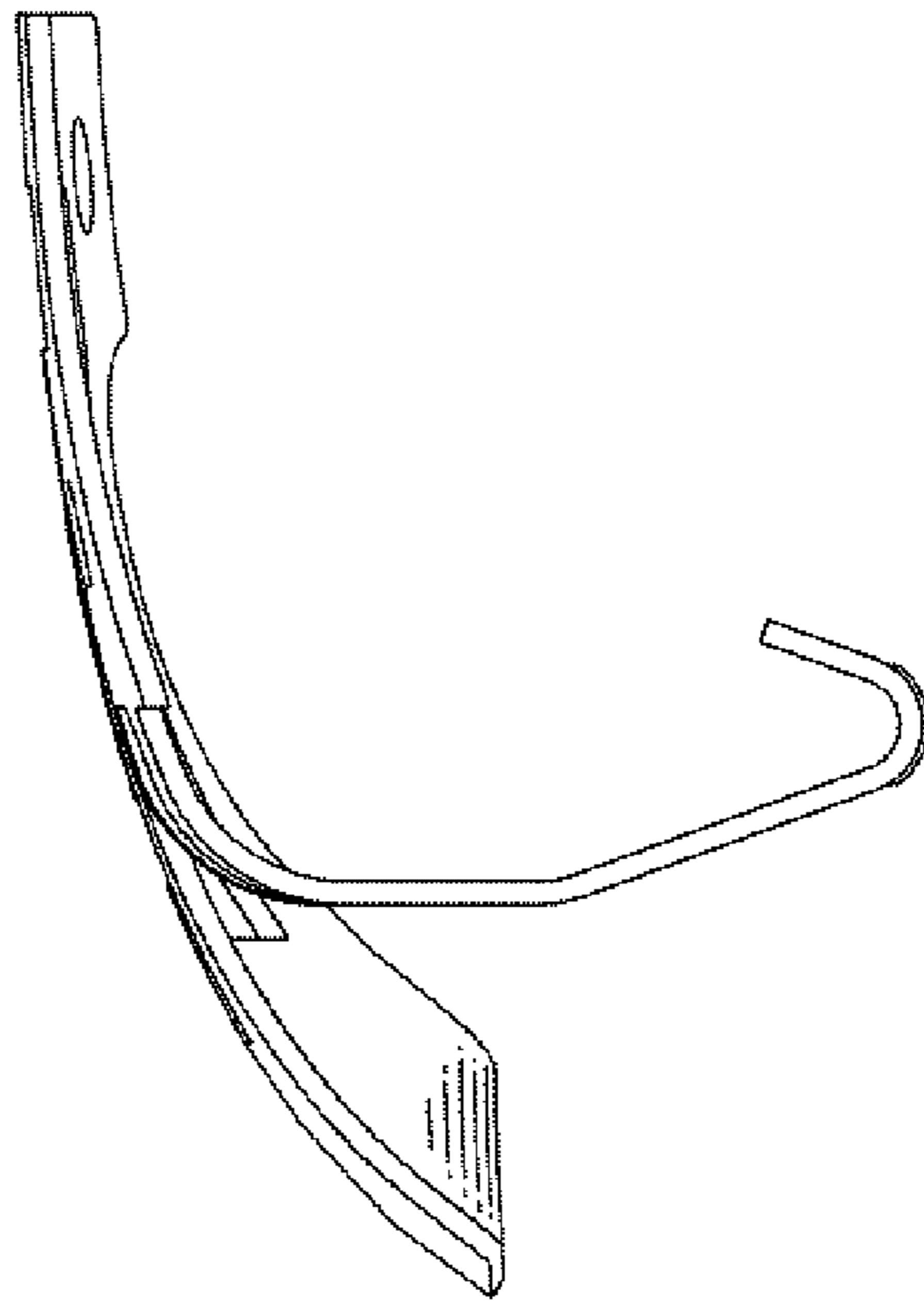


FIG. 5

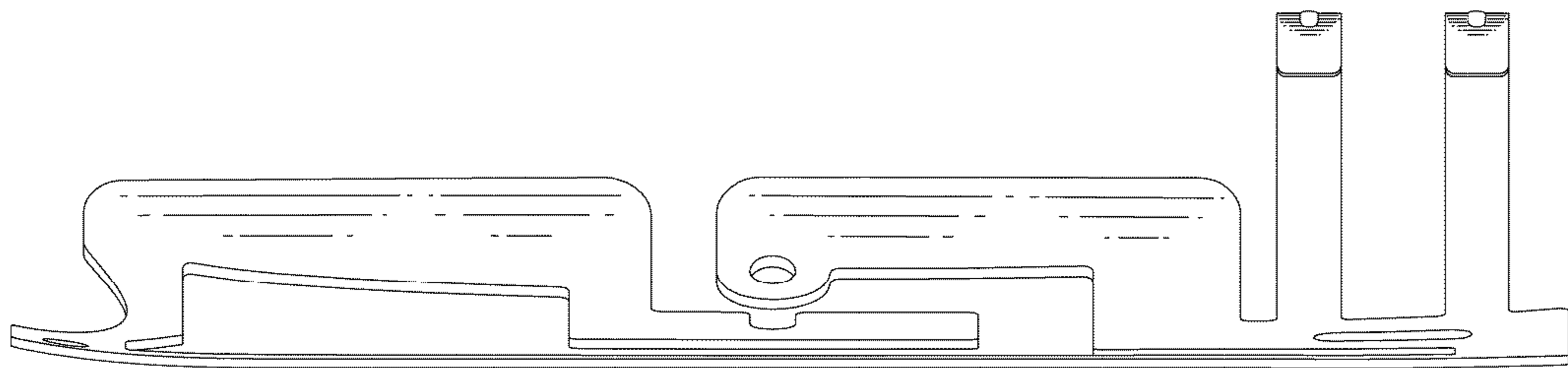


FIG. 6

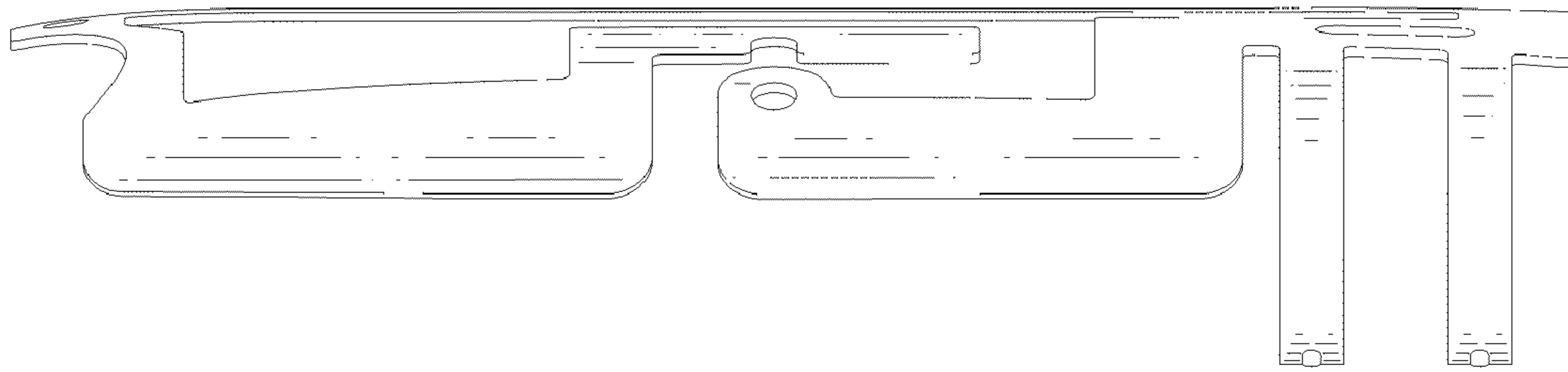


FIG. 7