



US00D633482S

(12) **United States Design Patent**  
**Koss et al.**

(10) **Patent No.:** **US D633,482 S**  
(45) **Date of Patent:** **\*\* Mar. 1, 2011**

(54) **EARPHONE**

(75) Inventors: **Michael J. Koss**, Milwaukee, WI (US);  
**Jerry O’Leary**, Chicago, IL (US); **Iain Roberts**, Chicago, IL (US); **Martin Thaler**, Chicago, IL (US); **George Aye**, Chicago, IL (US)

(73) Assignee: **Koss Corporation**, Milwaukee, WI (US)

(\*\*) Term: **14 Years**

(21) Appl. No.: **29/359,240**

(22) Filed: **Apr. 7, 2010**

**Related U.S. Application Data**

(62) Division of application No. 29/334,104, filed on Mar. 20, 2009.

(51) **LOC (9) Cl.** ..... **14-01**

(52) **U.S. Cl.** ..... **D14/223**

(58) **Field of Classification Search** ..... D14/205,  
D14/206, 223, 188, 192, 218; 181/129, 130,  
181/135; 379/430, 431; 381/380, 381, 312,  
381/385, 370, 371; D24/106, 174; 455/90.3,  
455/569.1, 575.2, 575.3

See application file for complete search history.

(56) **References Cited**

**U.S. PATENT DOCUMENTS**

490,459 A \* 1/1893 Straus ..... 16/421  
(Continued)

*Primary Examiner*—Paula Greene

(74) *Attorney, Agent, or Firm*—K&L Gates LLP

(57) **CLAIM**

The ornamental design for an earphone, as shown and described.

**DESCRIPTION**

FIG. 1 is an exploded left perspective view of an earphone showing our new design, the cord is drawn broken away for indeterminate length;

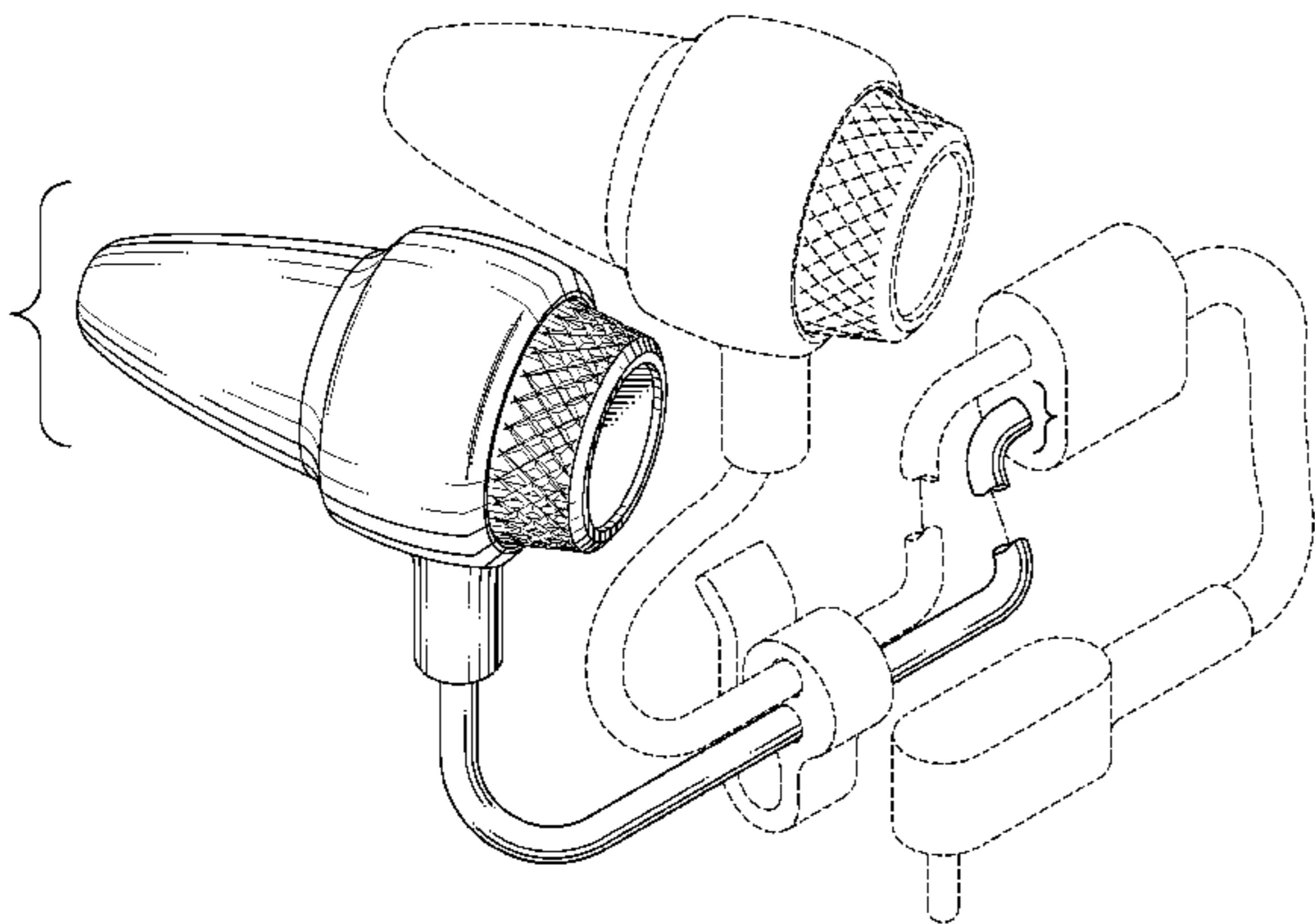


FIG. 2 is a front view thereof;

FIG. 3 is a rear view thereof;

FIG. 4 is a left side view thereof;

FIG. 5 is a right side view thereof;

FIG. 6 is a top view thereof; and

FIG. 7 is a bottom view thereof.

FIG. 8 is an exploded left perspective view of a second embodiment of an earphone showing our new design, the cord is drawn broken away for indeterminate length;

FIG. 9 is a front view thereof;

FIG. 10 is a rear view thereof;

FIG. 11 is a left side view thereof;

FIG. 12 is a right side view thereof;

FIG. 13 is a top view thereof; and

FIG. 14 is a bottom view thereof.

FIG. 15 is an exploded left perspective view of a third embodiment of an earphone showing our new design, the cord is drawn broken away for indeterminate length;

FIG. 16 is a front view thereof;

FIG. 17 is a rear view thereof;

FIG. 18 is a left side view thereof;

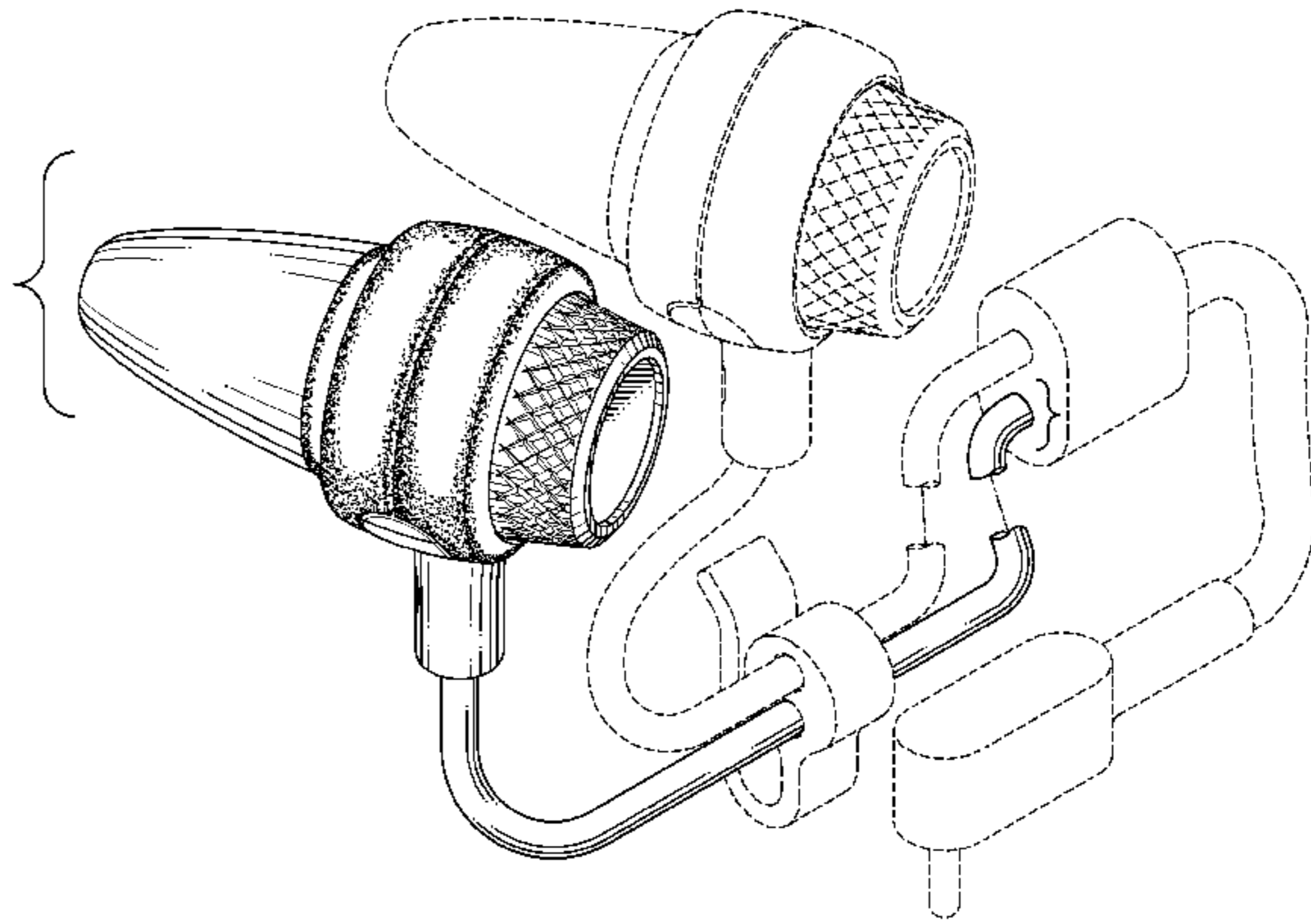
FIG. 19 is a right side view thereof;

FIG. 20 is a top view thereof; and,

FIG. 21 is a bottom view thereof.

The broken lines are for purposes of illustration only and form no part of the claimed design. The differences in shading shown in FIGS. 8-14 represent a contrast of appearance and do not represent any particular color, texture, or material. FIGS. 15-21 are lined to represent the colors black, red, gray, and silver.

**1 Claim, 21 Drawing Sheets**



# US D633,482 S

Page 2

## U.S. PATENT DOCUMENTS

706,975	A *	8/1902	Macbeth	128/864	D405,342	S *	2/1999	Thompson	D8/303
D37,993	S *	5/1906	Tower	D8/82	5,873,580	A *	2/1999	Swenson et al.	279/49
D52,489	S *	9/1918	Palmer	D8/303	6,122,369	A *	9/2000	Hwang et al.	379/420.04
1,764,987	A *	6/1930	Schwartz	206/306	D479,319	S *	9/2003	Falco	D24/106
1,936,290	A *	11/1933	Ditisheim	368/286	D514,420	S *	2/2006	Xu	D8/107
D101,218	S *	9/1936	Gurrieri	D22/142	D546,321	S *	7/2007	Kim	D14/223
D122,057	S *	8/1940	Johnson	D7/649	D569,841	S *	5/2008	Chung et al.	D14/205
2,446,622	A *	8/1948	Turner	69/21	D572,703	S *	7/2008	Ledbetter et al.	D14/205
D152,155	S *	12/1948	Jacoff	D8/82	D578,507	S *	10/2008	Ando	D14/205
D157,883	S *	3/1950	Maxwell	D8/80	D579,741	S *	11/2008	Selby	D8/44
2,612,222	A *	9/1952	Sterba et al.	30/358	D582,389	S *	12/2008	Bose et al.	D14/205
2,961,108	A *	11/1960	Johnson	215/228	D584,284	S *	1/2009	Carr et al.	D14/206
3,782,574	A *	1/1974	Rumble	215/223	D590,371	S *	4/2009	Leinvuo	D14/205
4,123,576	A *	10/1978	Kobayashi et al.	428/35.7	D591,264	S *	4/2009	Hong et al.	D14/205
4,314,553	A *	2/1982	Westerdal	128/864	D593,716	S *	6/2009	Strauss	D30/156
D300,551	S *	4/1989	Andraesen	D22/142	D603,837	S *	11/2009	Martin	D14/206
D334,224	S *	3/1993	Downey	D21/756	7,616,772	B2 *	11/2009	Sabick et al.	381/374
5,282,253	A *	1/1994	Konomi	381/151	D618,669	S *	6/2010	Johnson et al.	D14/223
D352,441	S *	11/1994	Oury et al.	D8/303	D621,388	S *	8/2010	Koss et al.	D14/223
D369,555	S *	5/1996	Heinz	D9/545	D625,298	S *	10/2010	Koss et al.	D14/223

\* cited by examiner

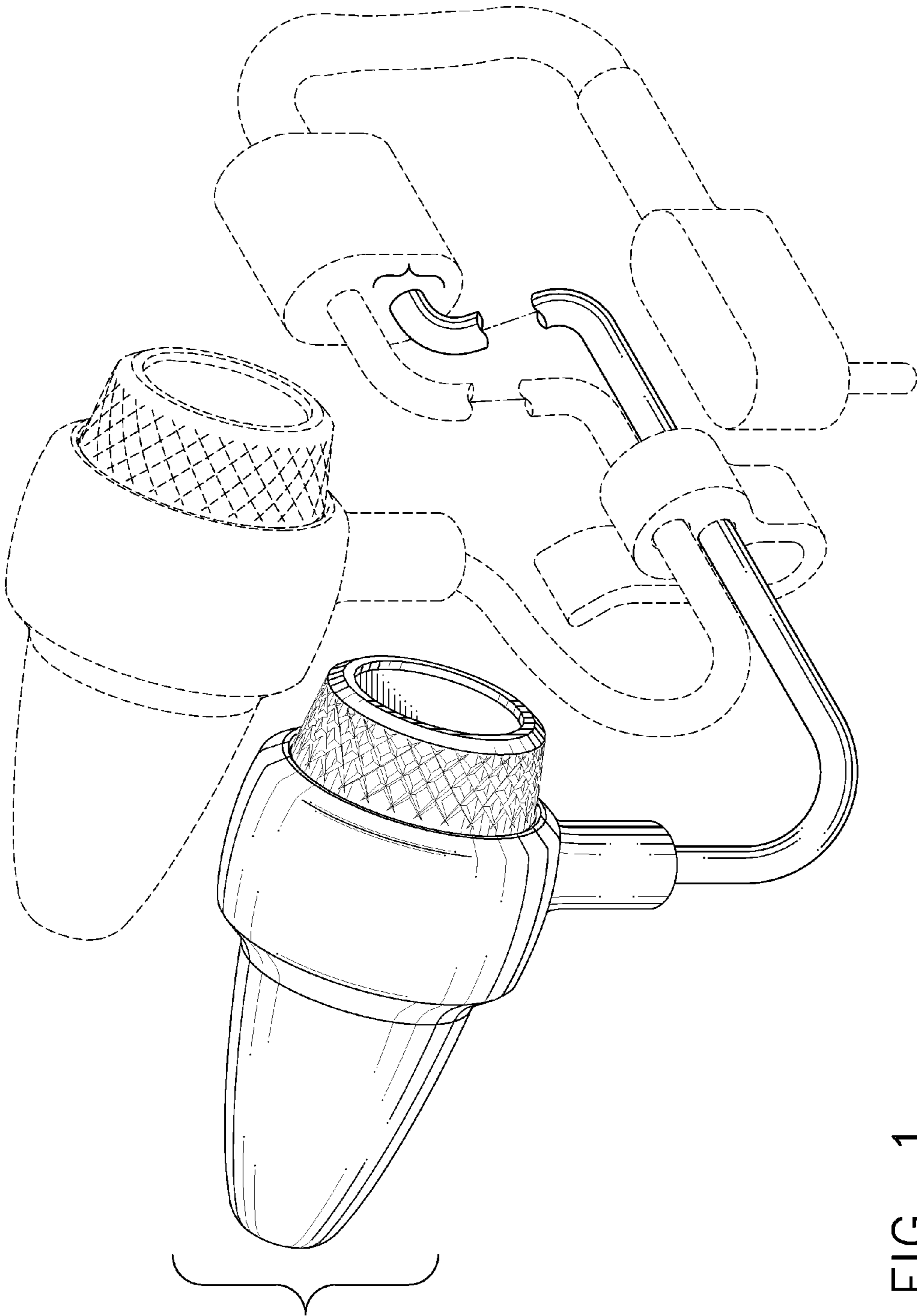


FIG. 1

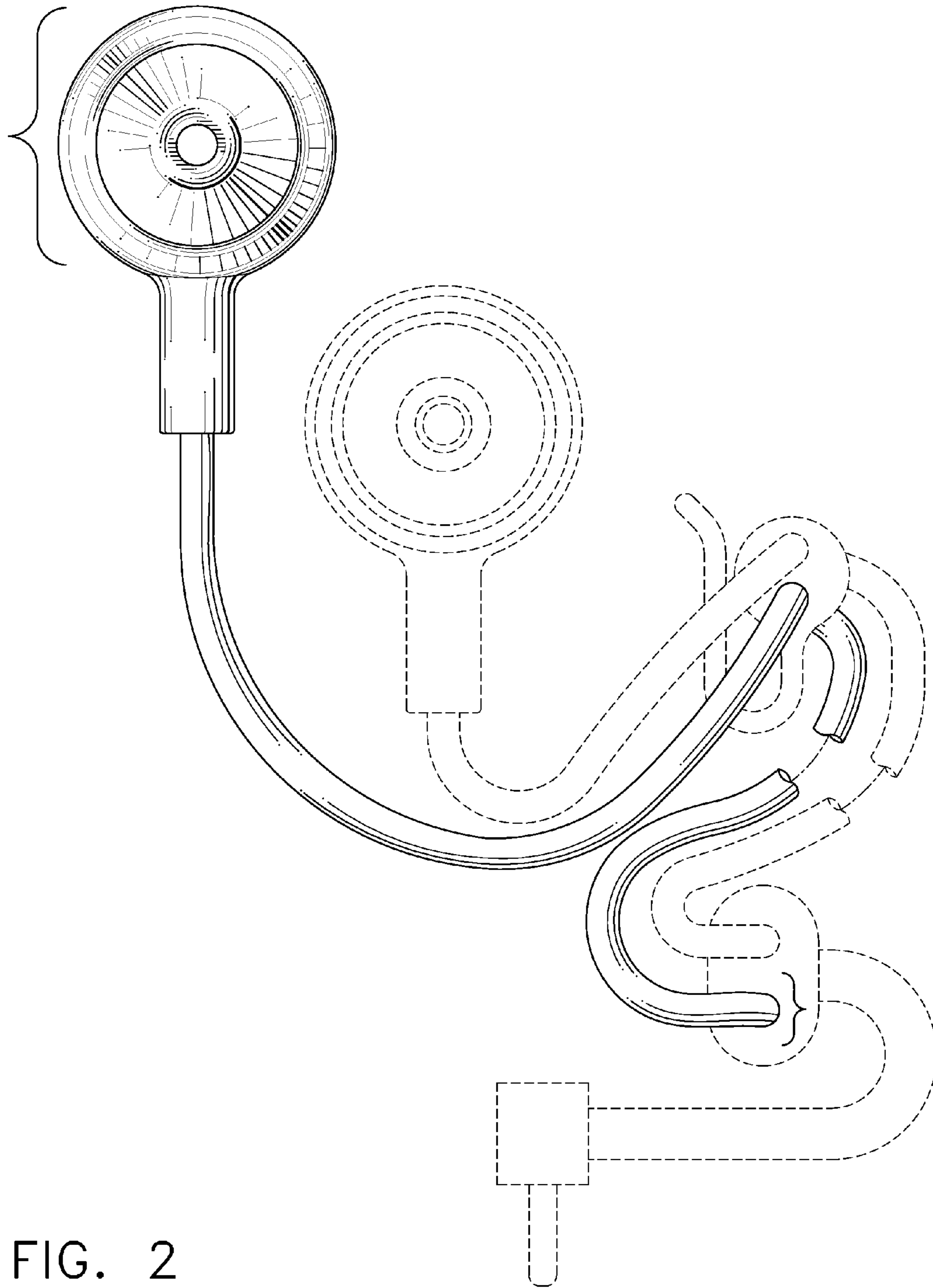


FIG. 2

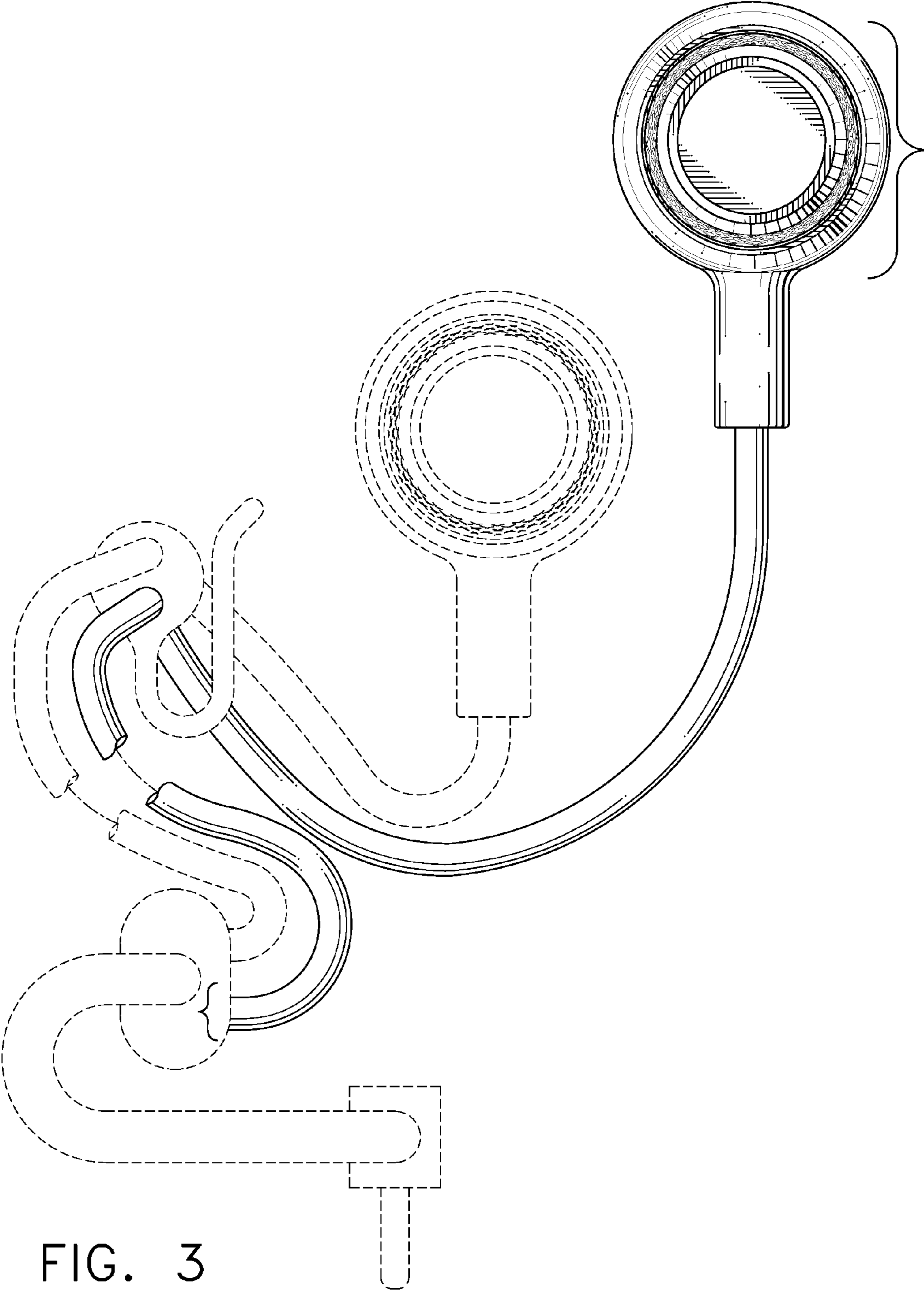


FIG. 3

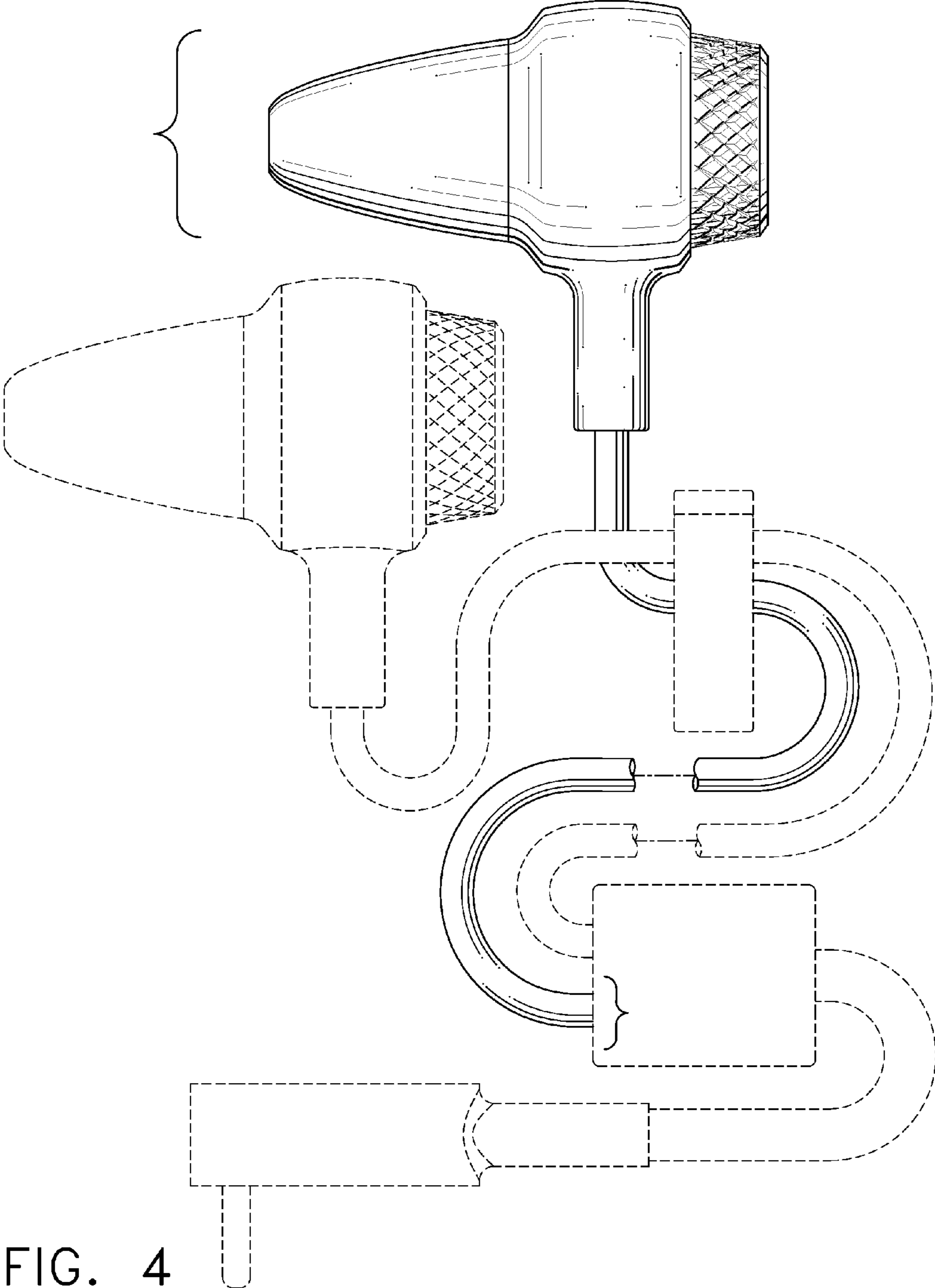


FIG. 4

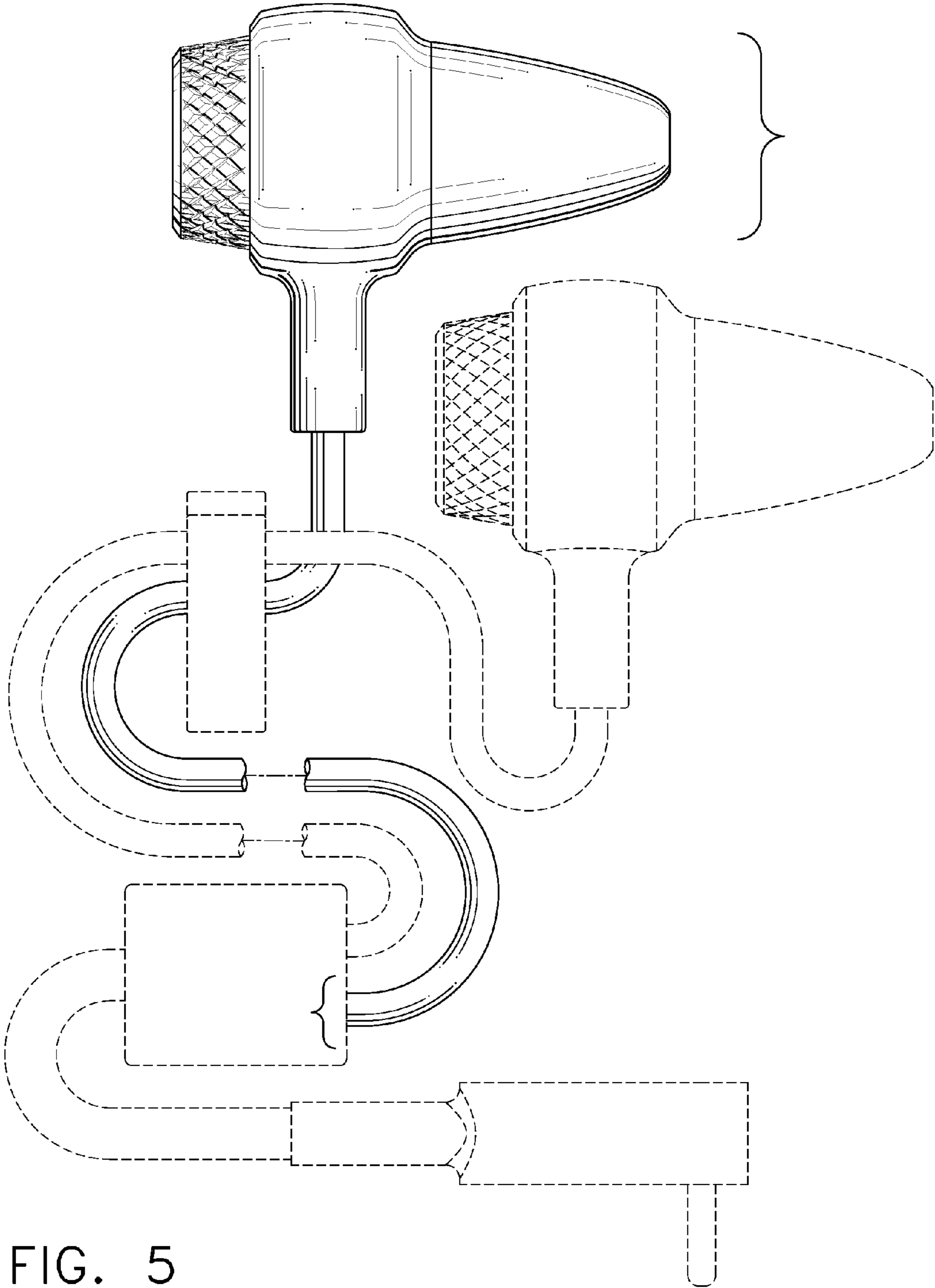


FIG. 5

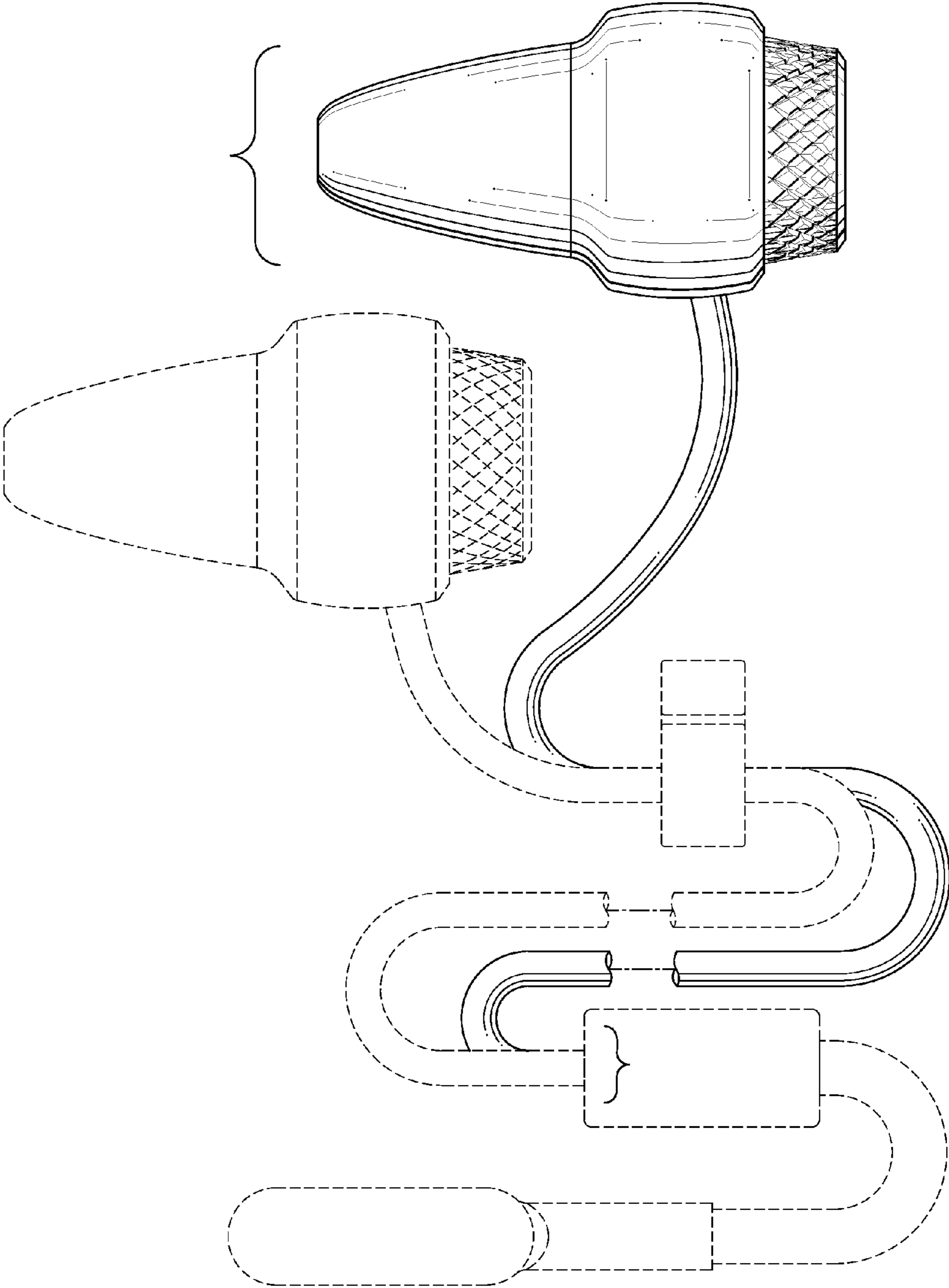


FIG. 6



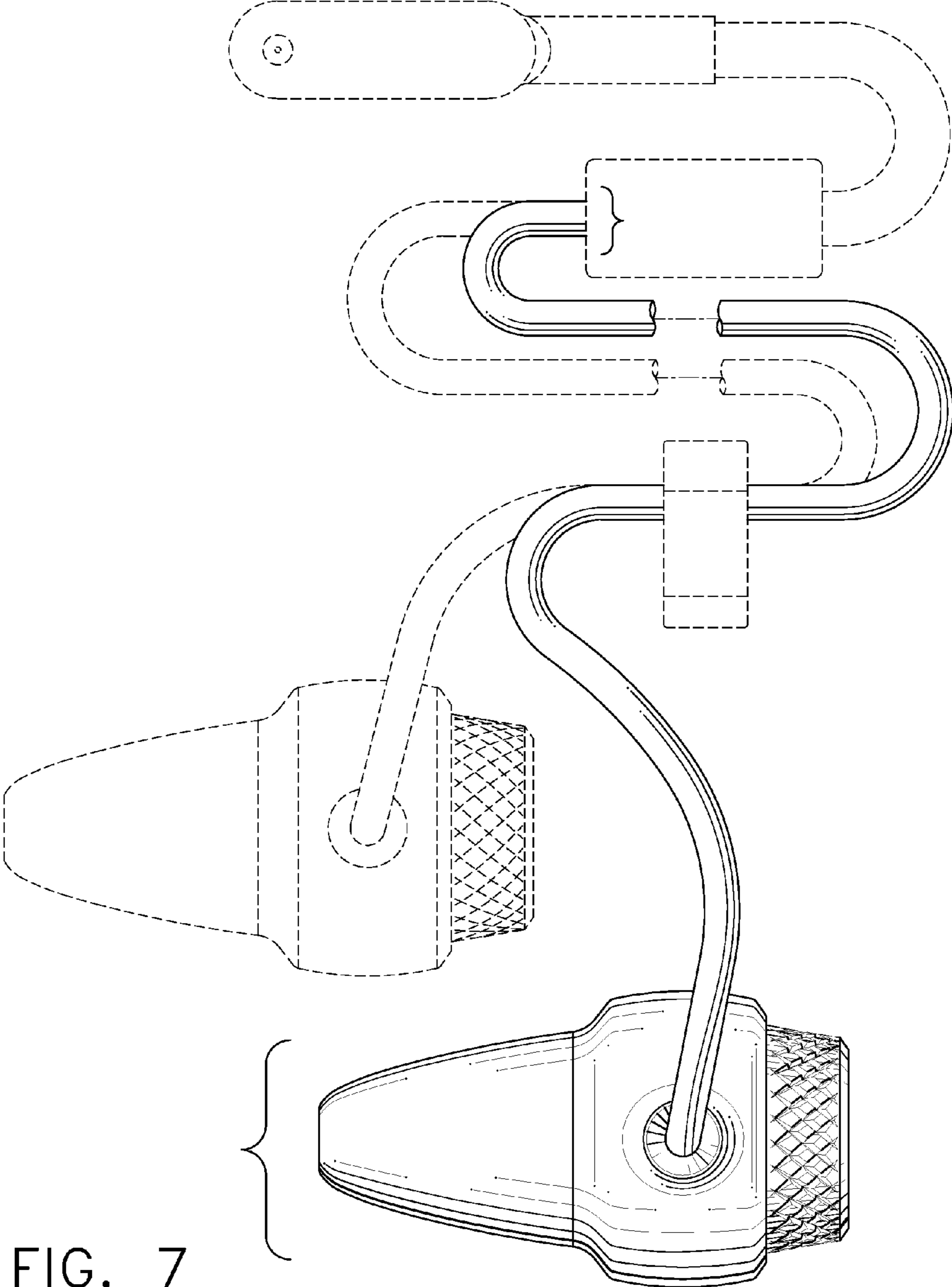


FIG. 7

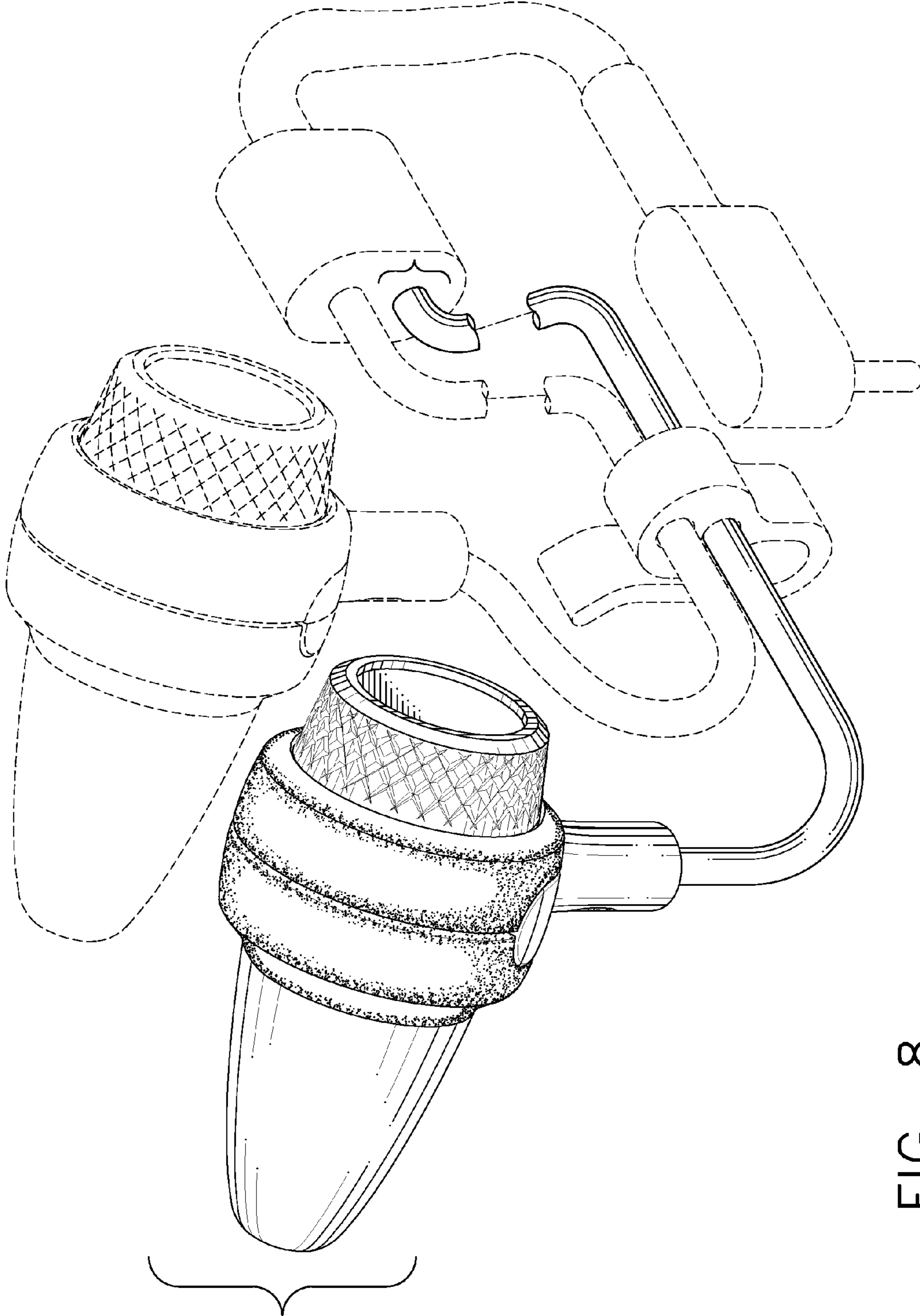


FIG. 8

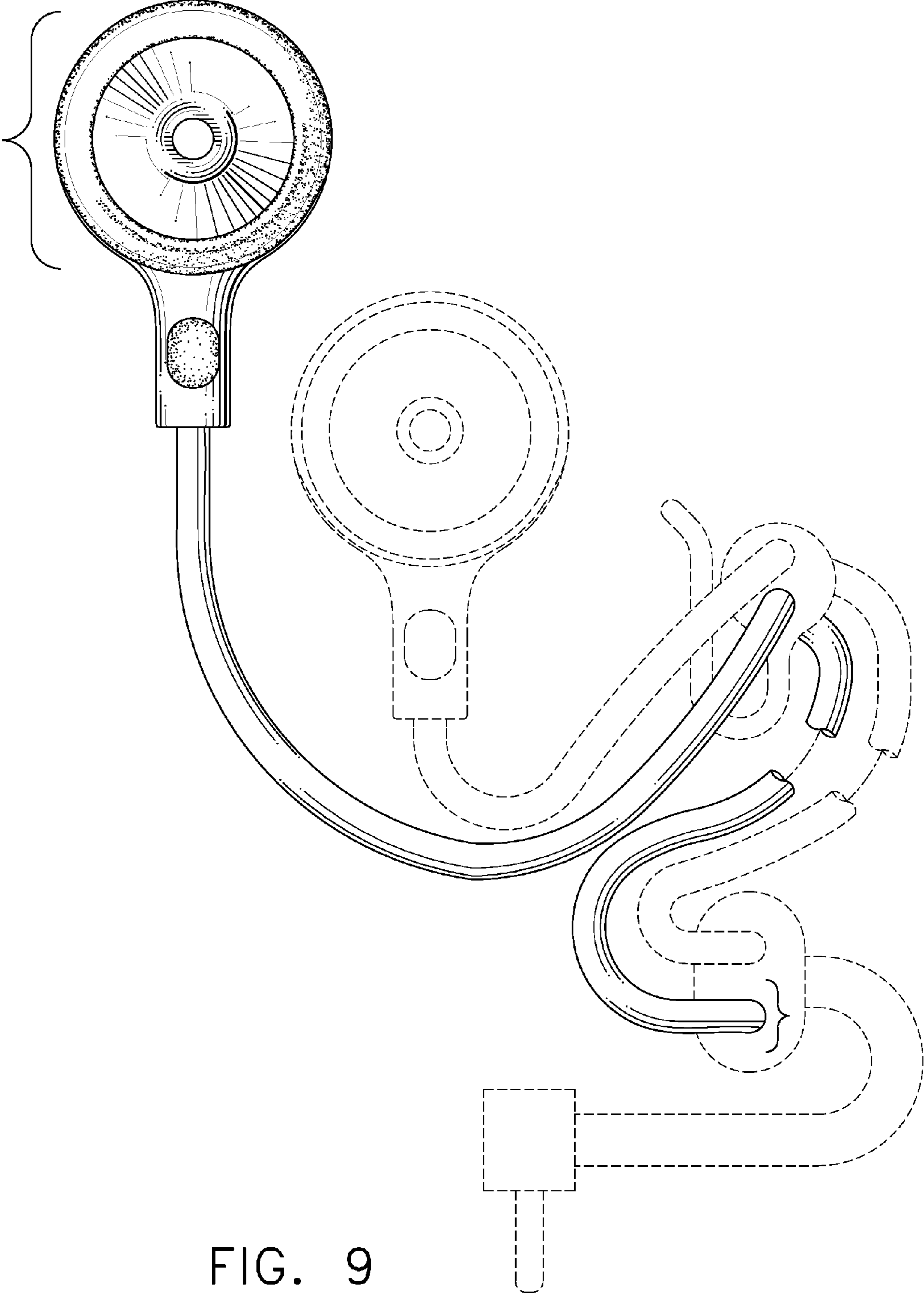


FIG. 9

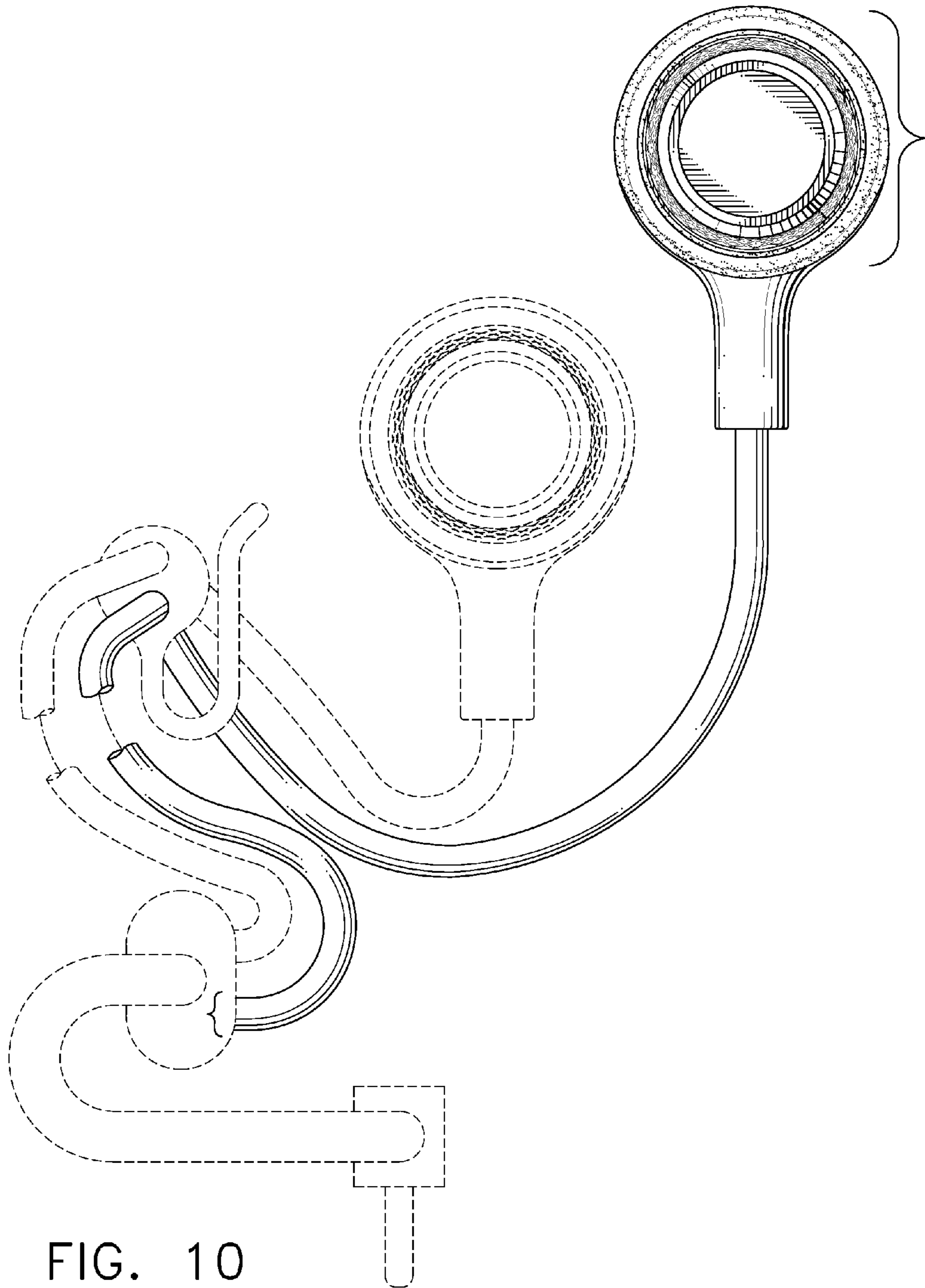


FIG. 10

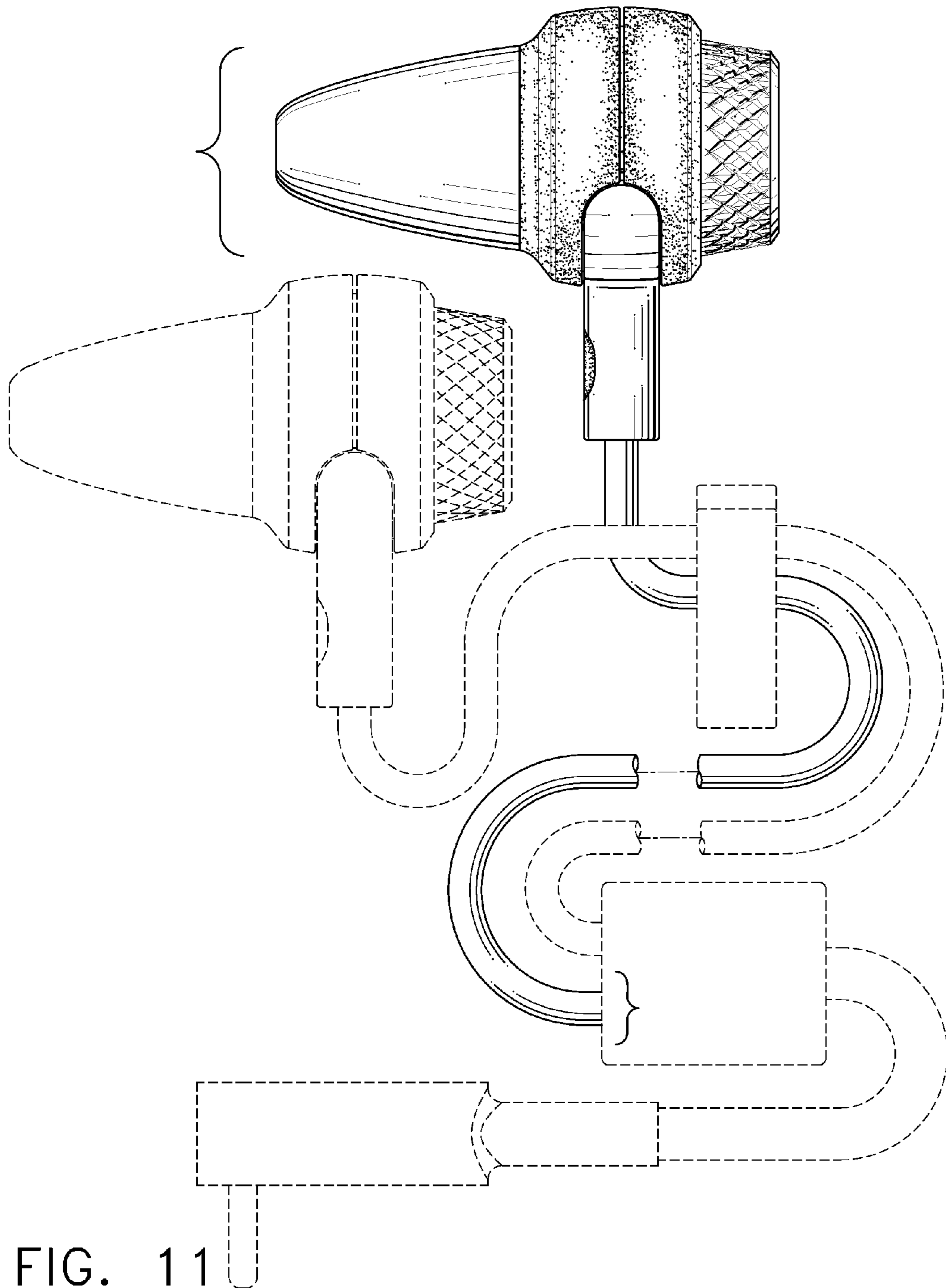


FIG. 11

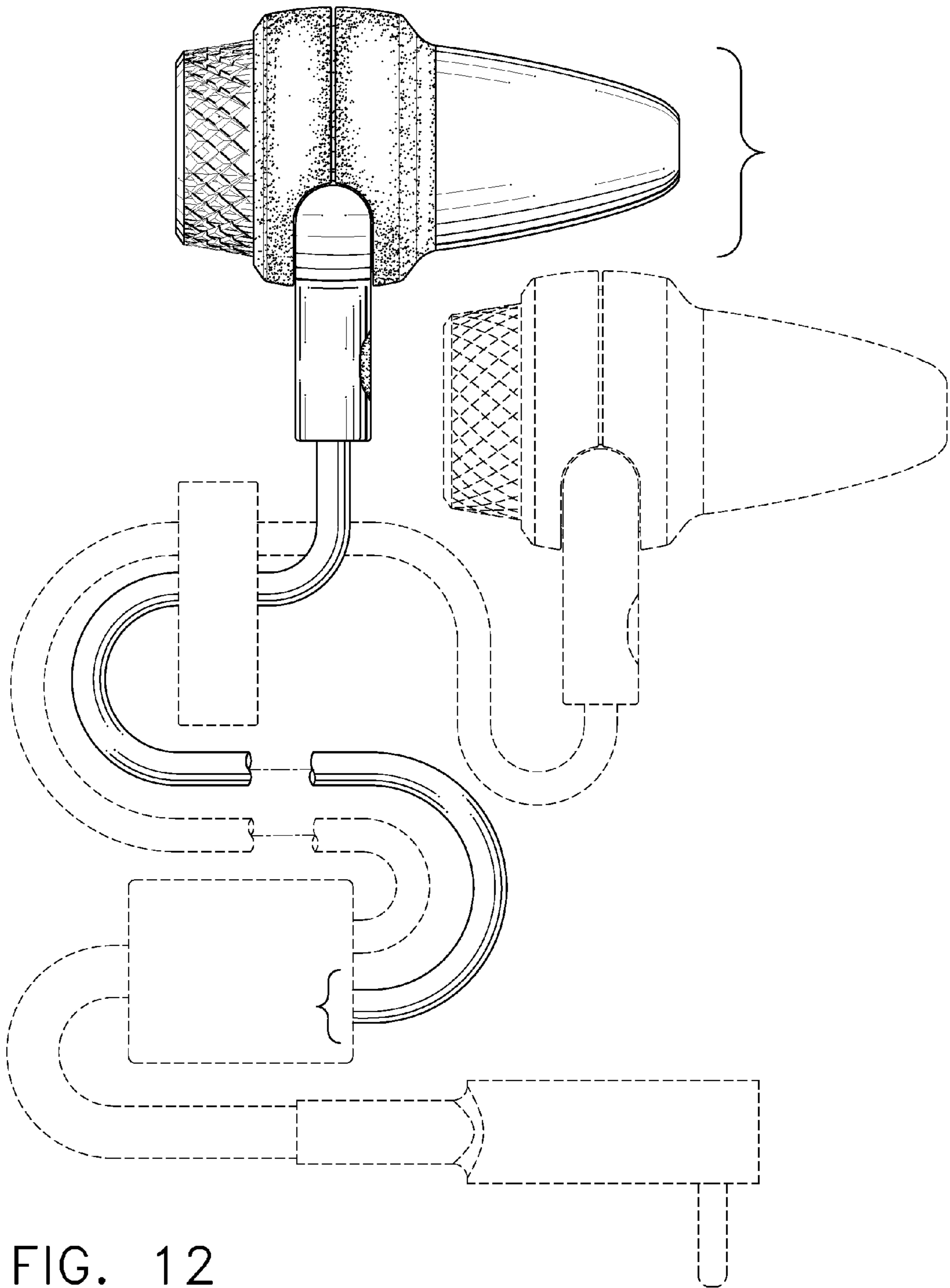


FIG. 12



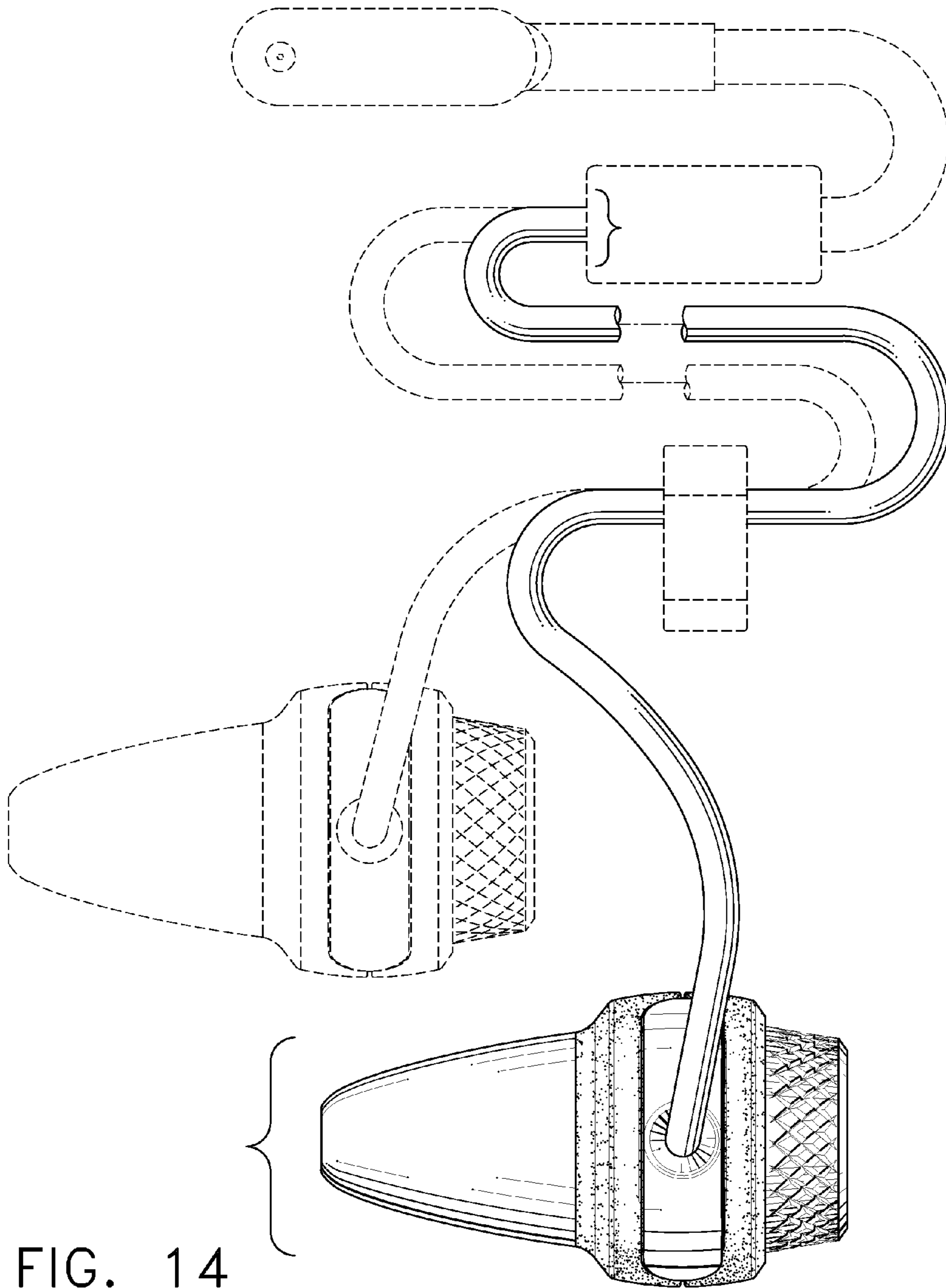


FIG. 14



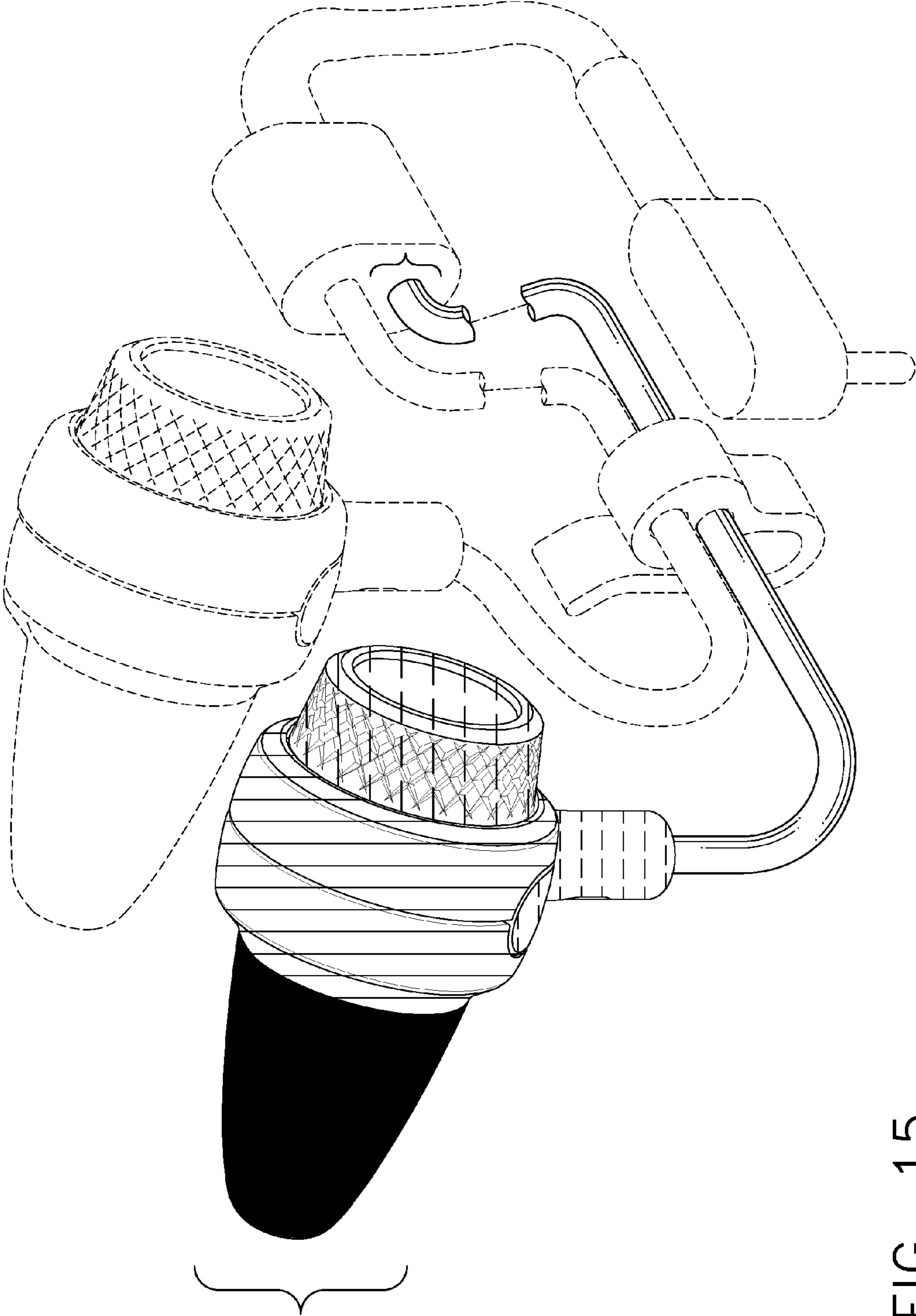


FIG. 15

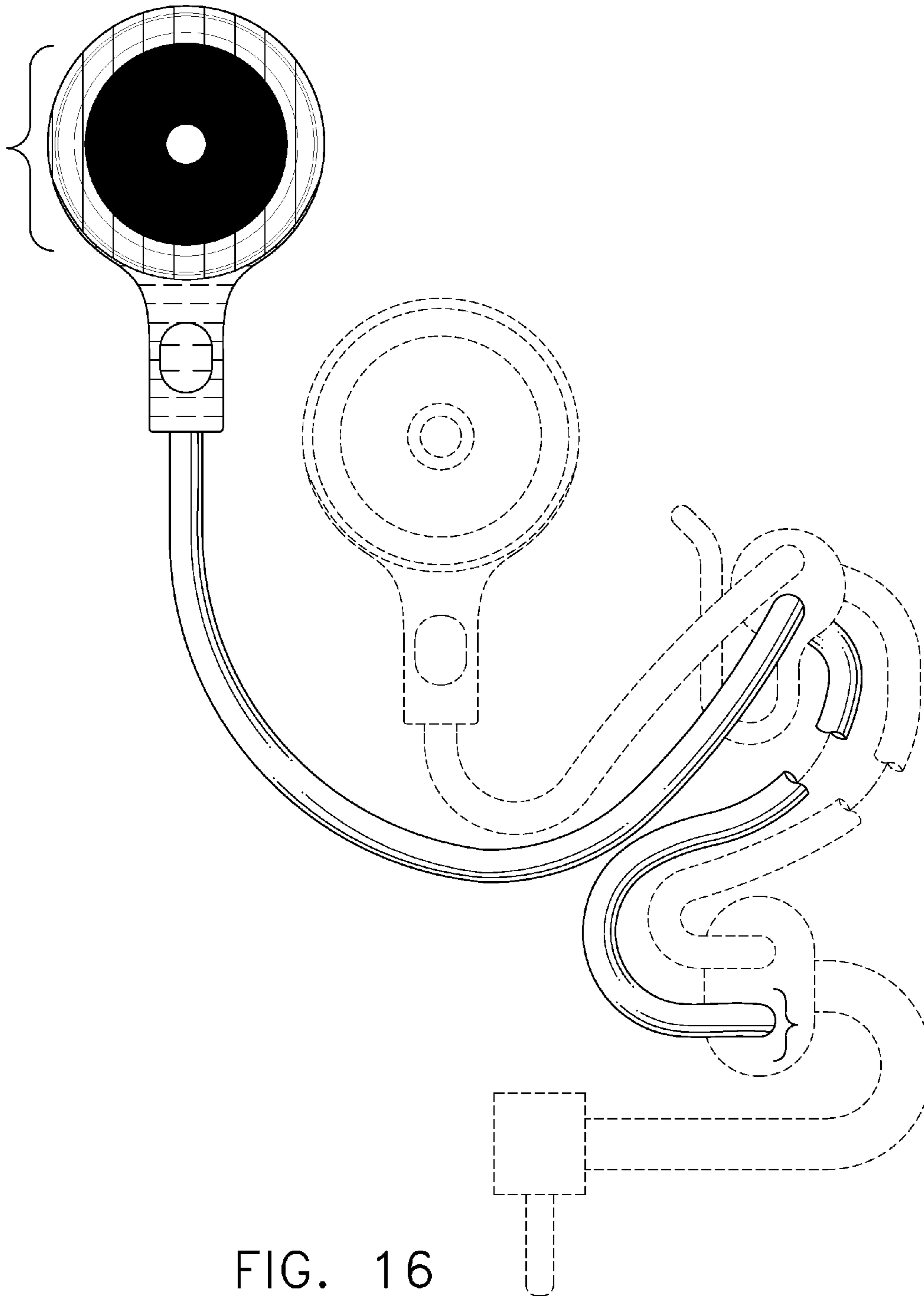


FIG. 16

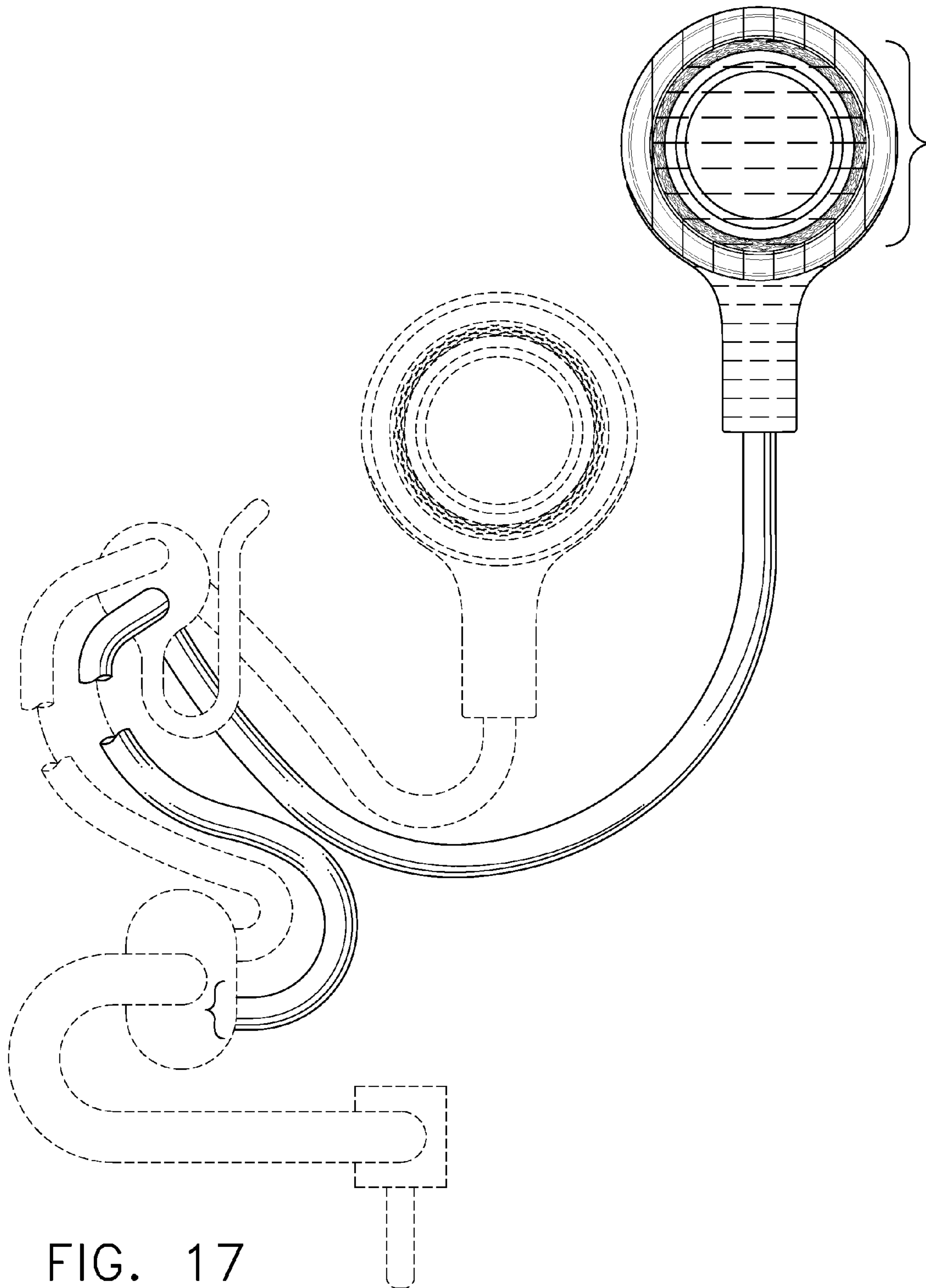


FIG. 17

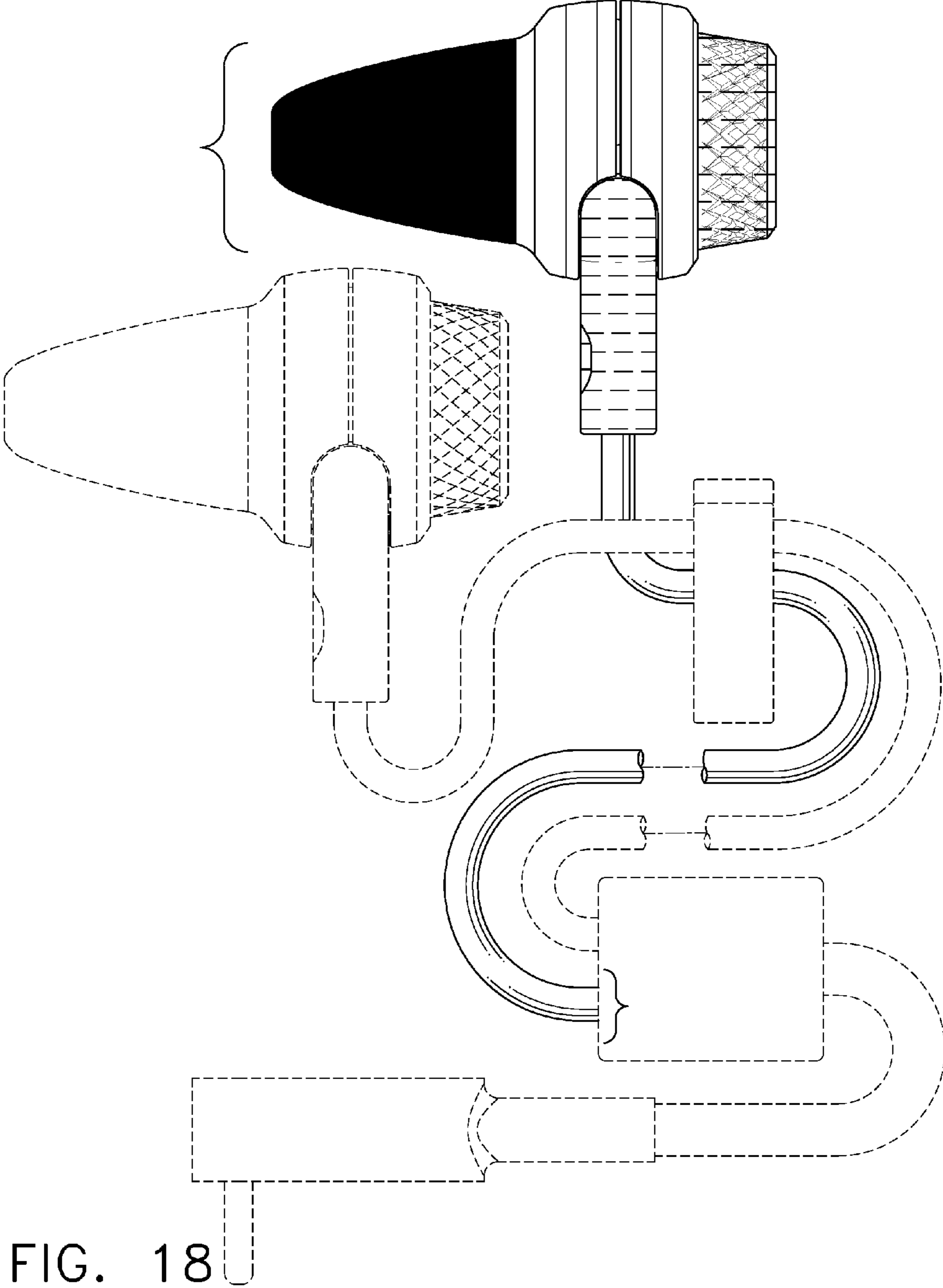


FIG. 18

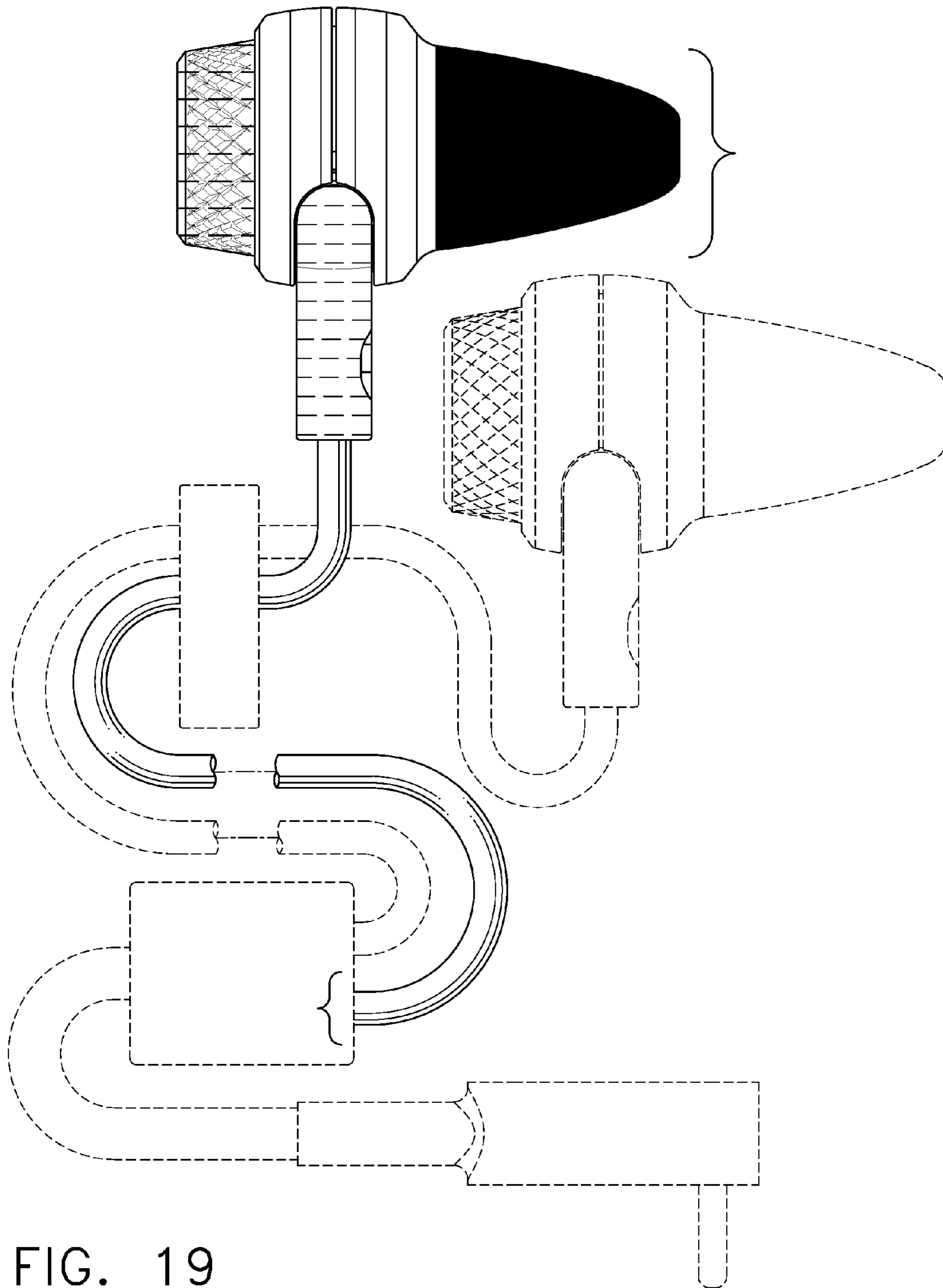


FIG. 19

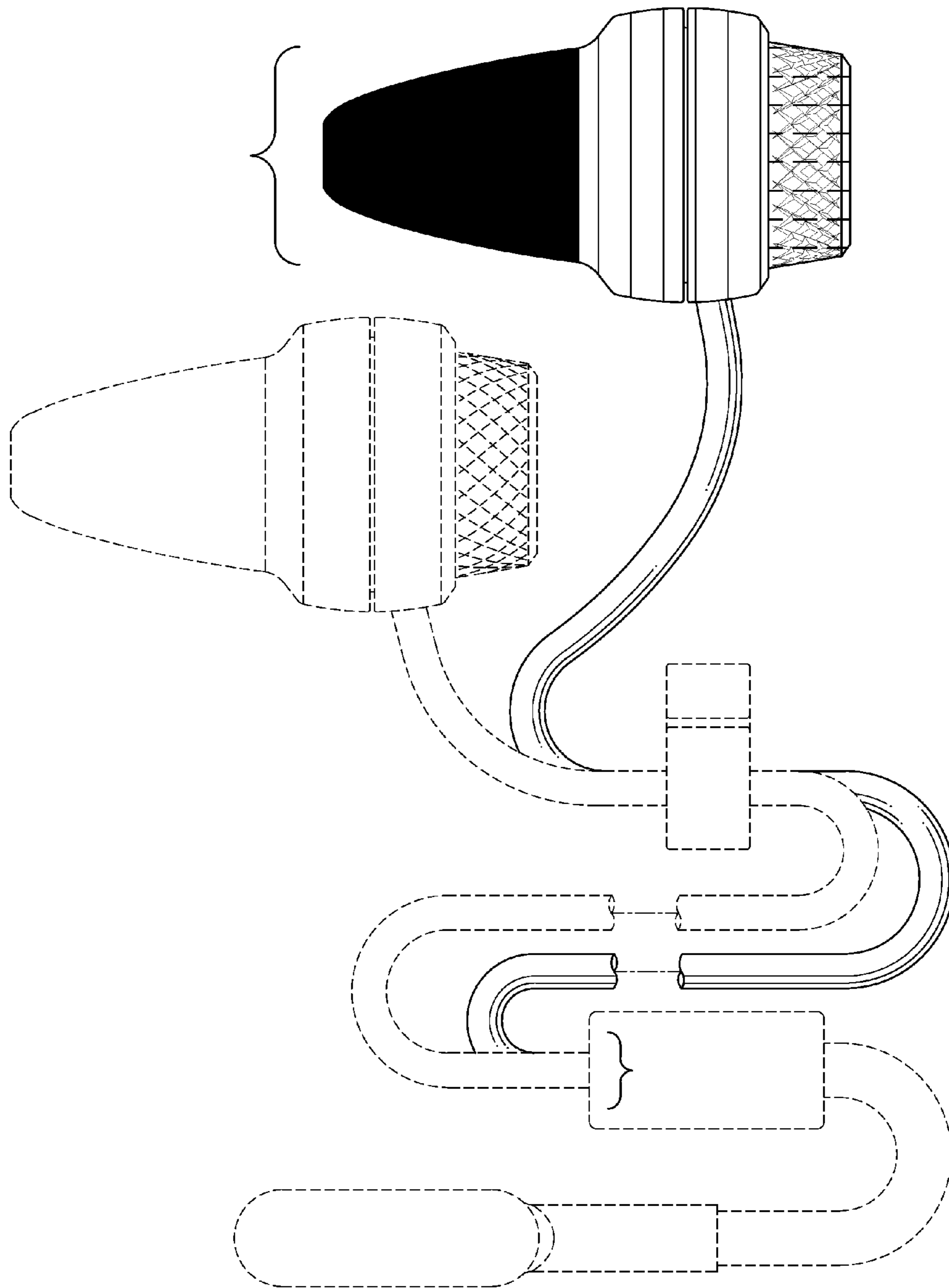


FIG. 20

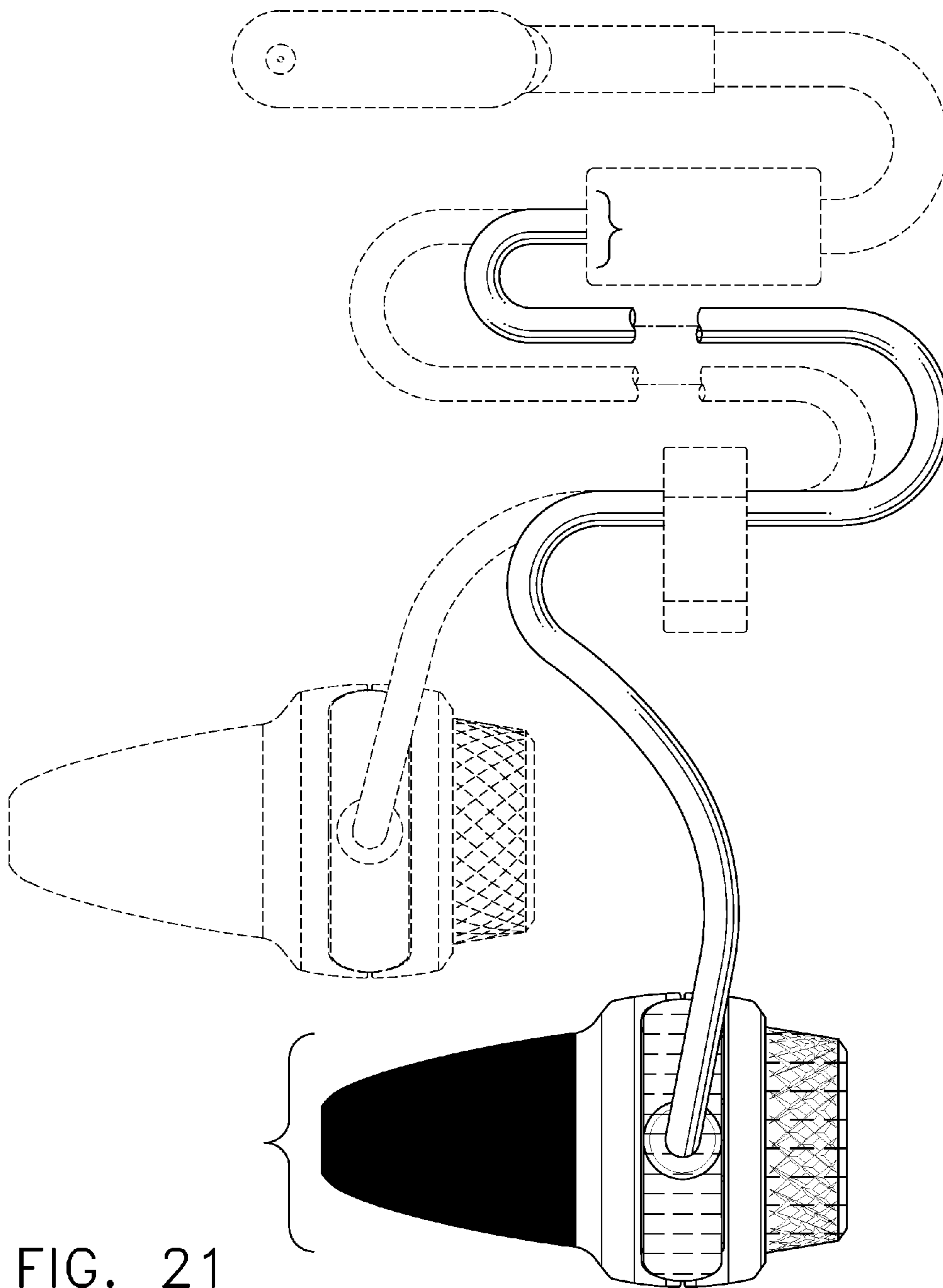


FIG. 21