



US00D633480S

(12) **United States Design Patent**
Behar et al.

(10) **Patent No.:** **US D633,480 S**
(45) **Date of Patent:** **** Mar. 1, 2011**

(54) **HEADSET**

(75) Inventors: **Yves Albert Behar**, San Francisco, CA (US); **Qin Li**, South San Francisco, CA (US); **Noah Murphy-Reinhertz**, San Francisco, CA (US); **Gabriel J. Lamb**, Burlingame, CA (US)

(73) Assignee: **AliphCom**, San Francisco, CA (US)

(**) Term: **14 Years**

(21) Appl. No.: **29/354,212**

(22) Filed: **Jan. 20, 2010**

(51) **LOC (9) Cl.** **14-01**

(52) **U.S. Cl.** **D14/223**

(58) **Field of Classification Search** D14/205, D14/206, 223, 168, 188, 192; 181/129, 130, 181/135; 379/430, 420.02, 420.04; 381/380, 381/381; 455/90.3, 569.1, 575.1; D24/174; 128/864, 865, 866; D11/15, 16; D5/39, D5/47, 57, 58; 428/156, 160

See application file for complete search history.

(56) **References Cited**

U.S. PATENT DOCUMENTS

D29,723 S	*	11/1898	Lowe	D5/47
D125,799 S	*	3/1941	Kivelson	D5/57
D140,194 S	*	1/1945	Bright	D23/318
D242,724 S		12/1976	Brodie		
D538,271 S	*	3/2007	Kim et al.	D14/223
D539,787 S	*	4/2007	Kim et al.	D14/223
D550,215 S	*	9/2007	Udagawa et al.	D14/223
D562,309 S	*	2/2008	Choi et al.	D14/223
D566,103 S	*	4/2008	Sade et al.	D14/223
D573,983 S	*	7/2008	Bang et al.	D14/223
D575,277 S	*	8/2008	Gaarde et al.	D14/223

D579,923 S	*	11/2008	Andre et al.	D14/223
D585,431 S	*	1/2009	Bradford et al.	D14/223
D595,698 S	*	7/2009	Guccione et al.	D14/223
D596,166 S		7/2009	Henning		
D602,006 S		10/2009	Kim et al.		
D602,007 S	*	10/2009	Lee et al.	D14/223
D602,476 S		10/2009	Lee et al.		
D602,477 S		10/2009	Lee et al.		
D603,377 S		11/2009	Chung		
D603,378 S		11/2009	Paradise		
D603,846 S		11/2009	Tkachuk		
D604,267 S		11/2009	Choe		
D604,718 S		11/2009	Paterson		
D604,722 S		11/2009	Mistry		
D609,922 S	*	2/2010	Bridges et al.	D5/53
D616,873 S	*	6/2010	Olivier	D14/223
D618,221 S	*	6/2010	Fahrendorff et al.	D14/223

* cited by examiner

Primary Examiner—Paula Greene

(74) *Attorney, Agent, or Firm*—Kilpatrick Townsend & Stockton LLP

(57) **CLAIM**

The ornamental design for a headset, as shown and described.

DESCRIPTION

FIG. 1 is a perspective view of a headset showing our new design;

FIG. 2 is a front elevational view thereof;

FIG. 3 is a rear elevational view thereof;

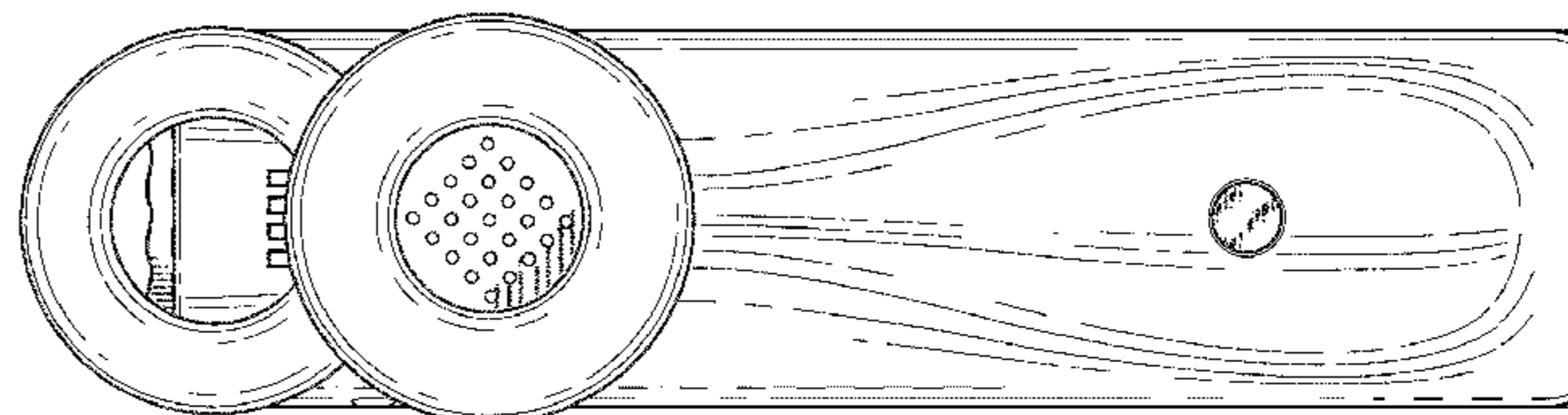
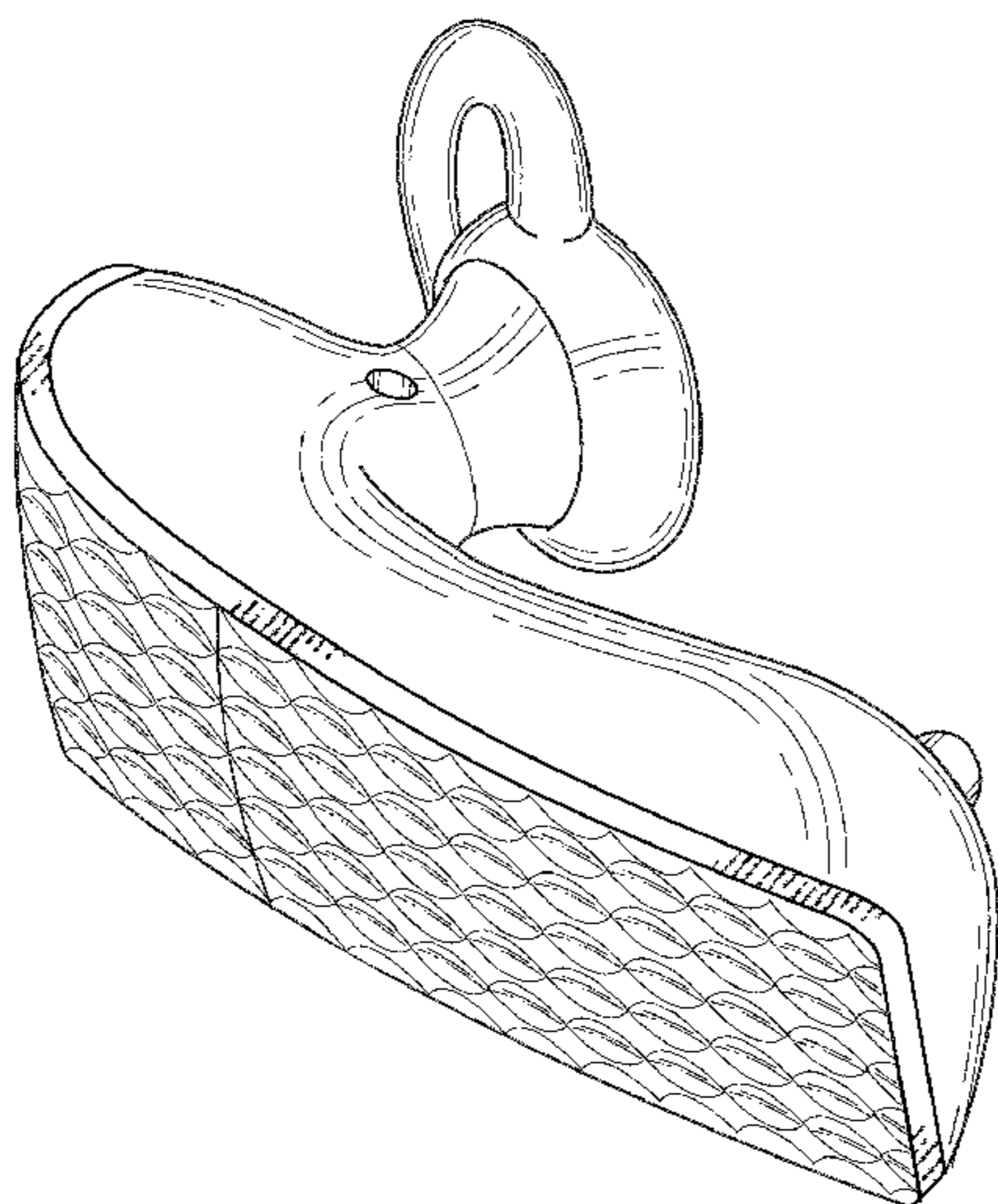
FIG. 4 is a right side elevational view thereof;

FIG. 5 is a left side elevational view thereof;

FIG. 6 is a bottom plan view thereof; and,

FIG. 7 is a top plan view thereof.

1 Claim, 4 Drawing Sheets



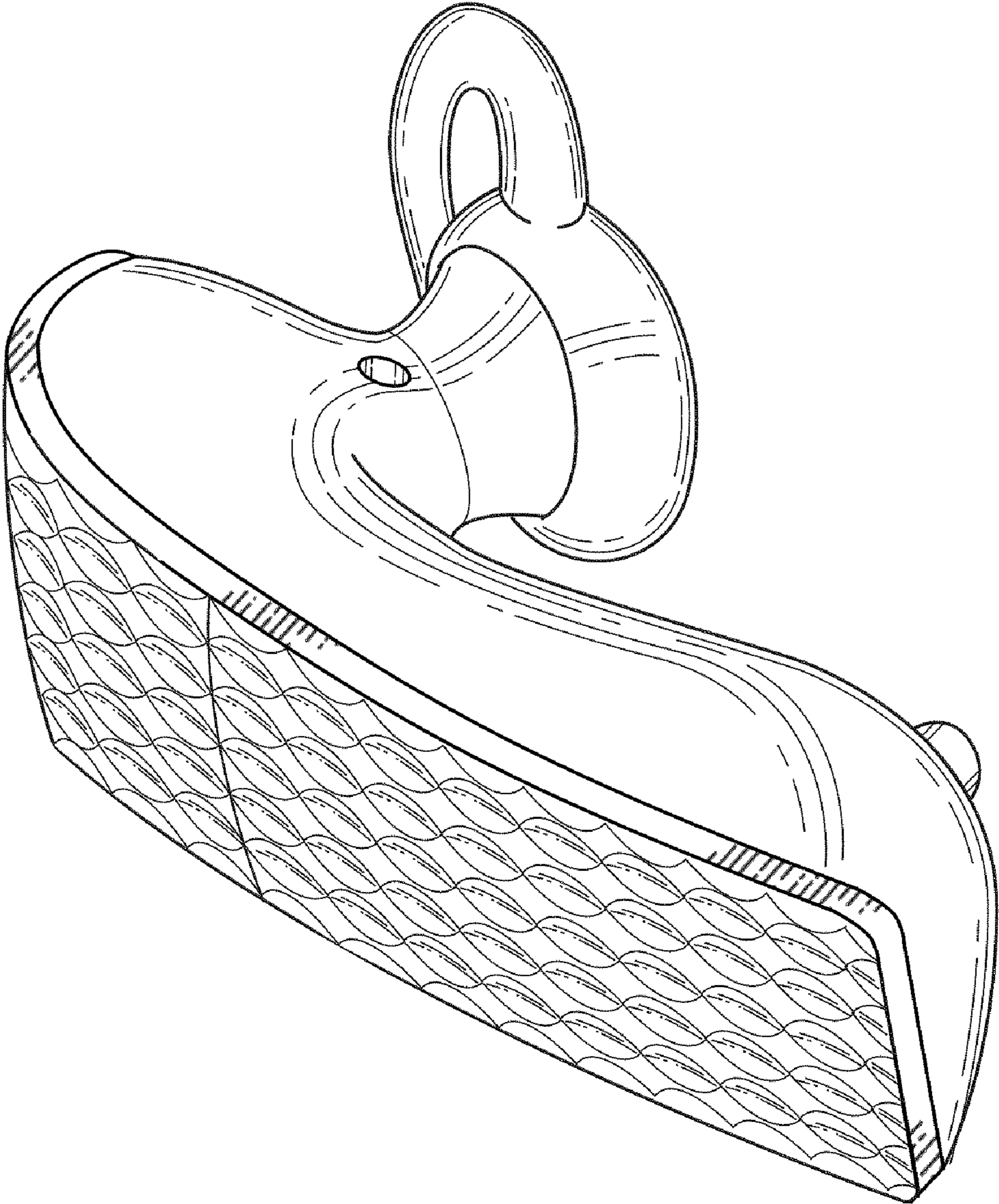


FIG. 1

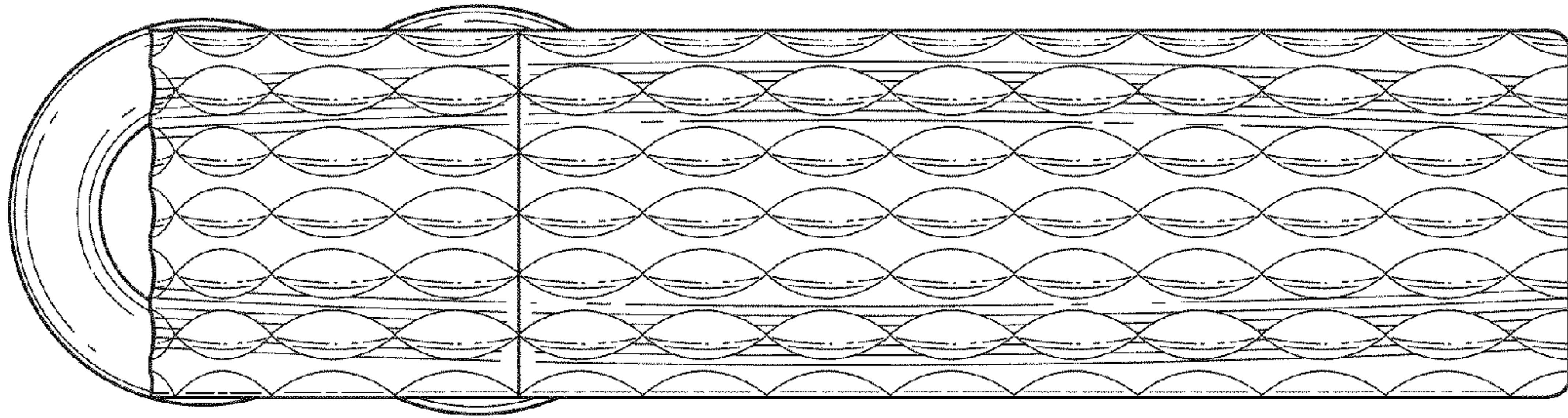


FIG. 2

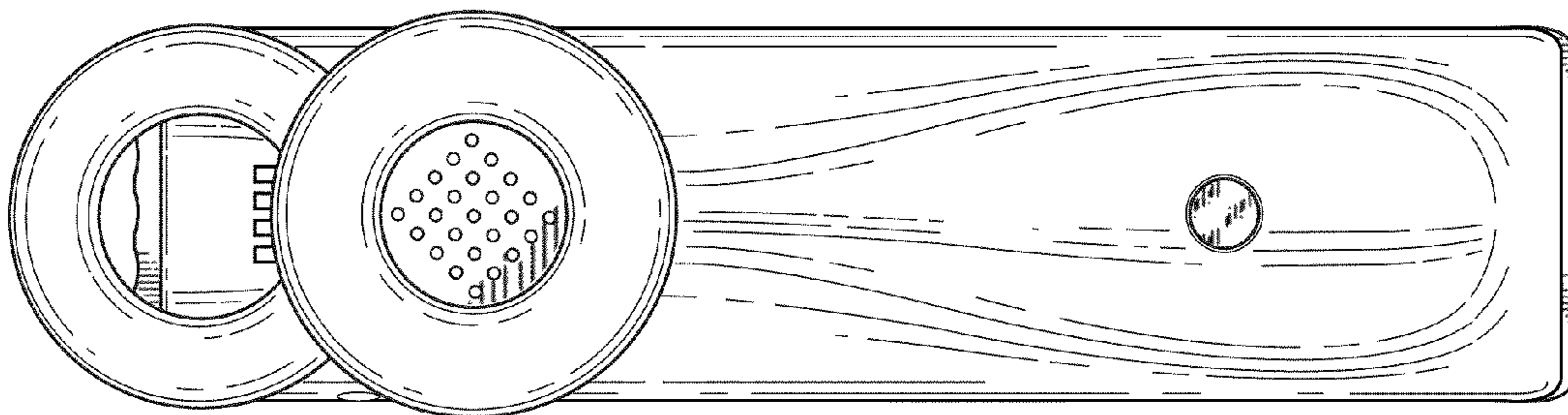


FIG. 3

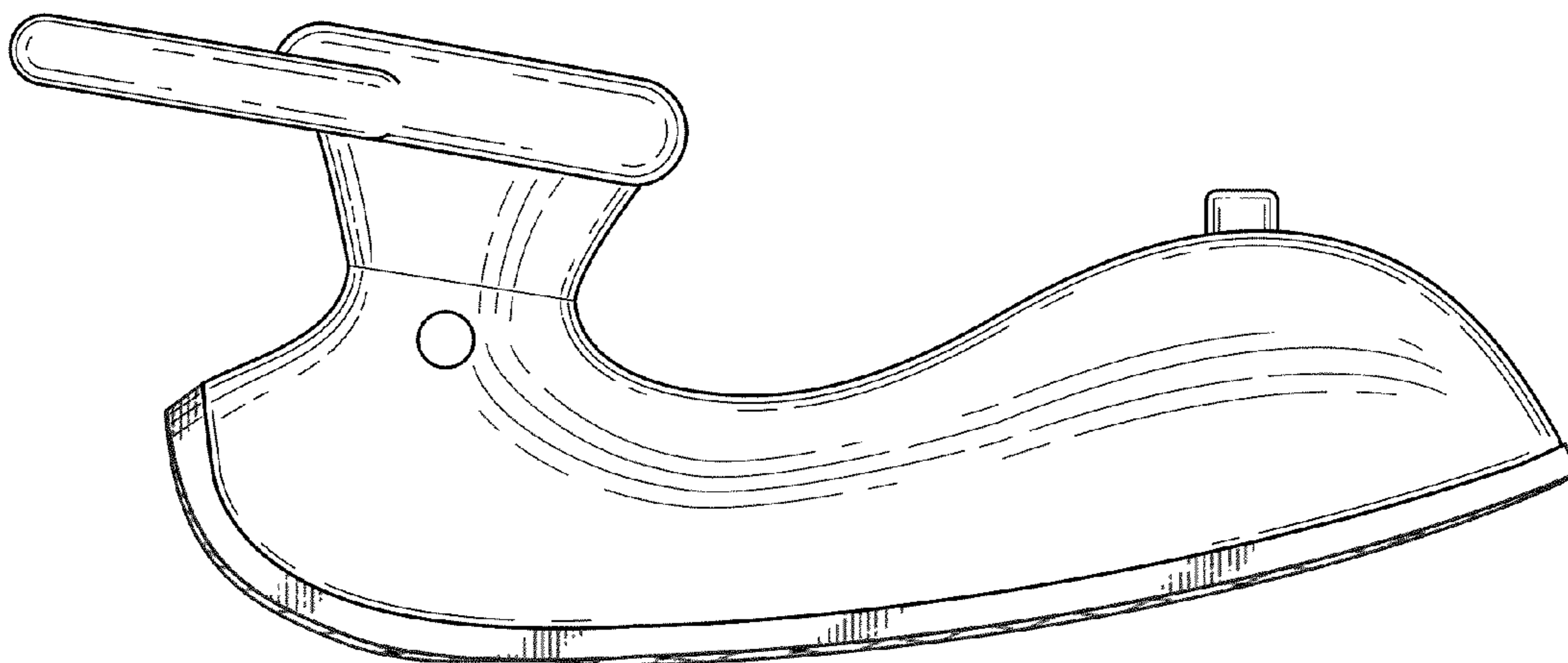


FIG. 4

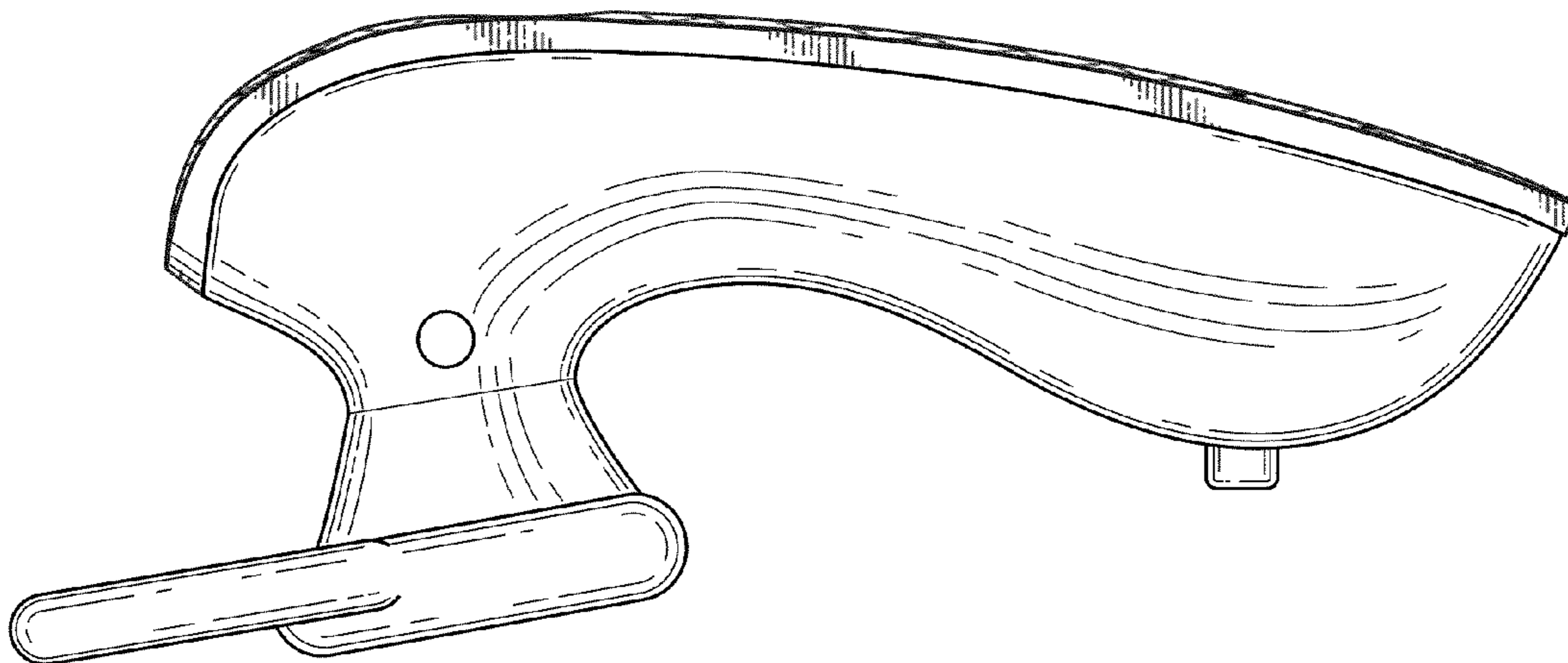


FIG. 5

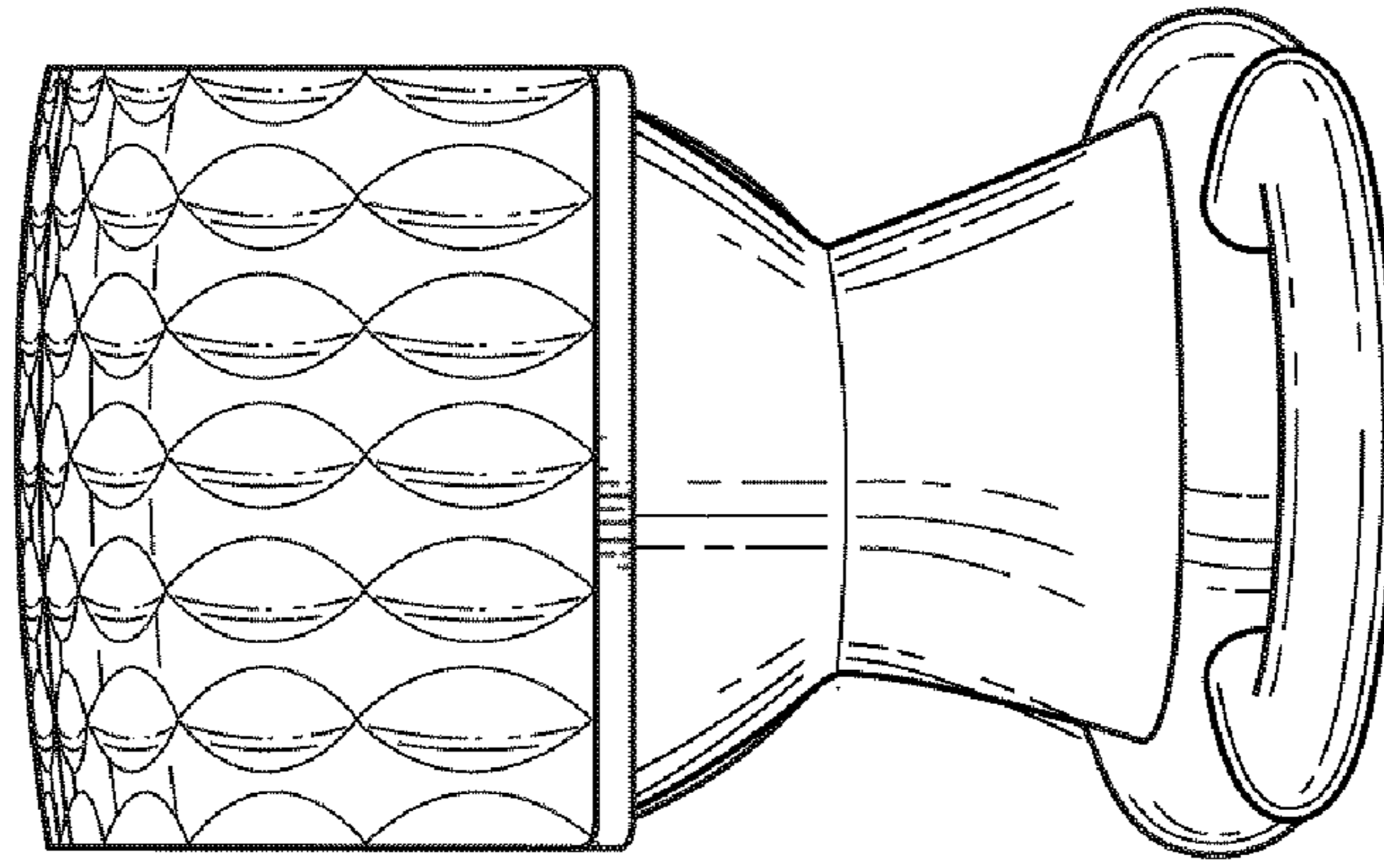


FIG. 6

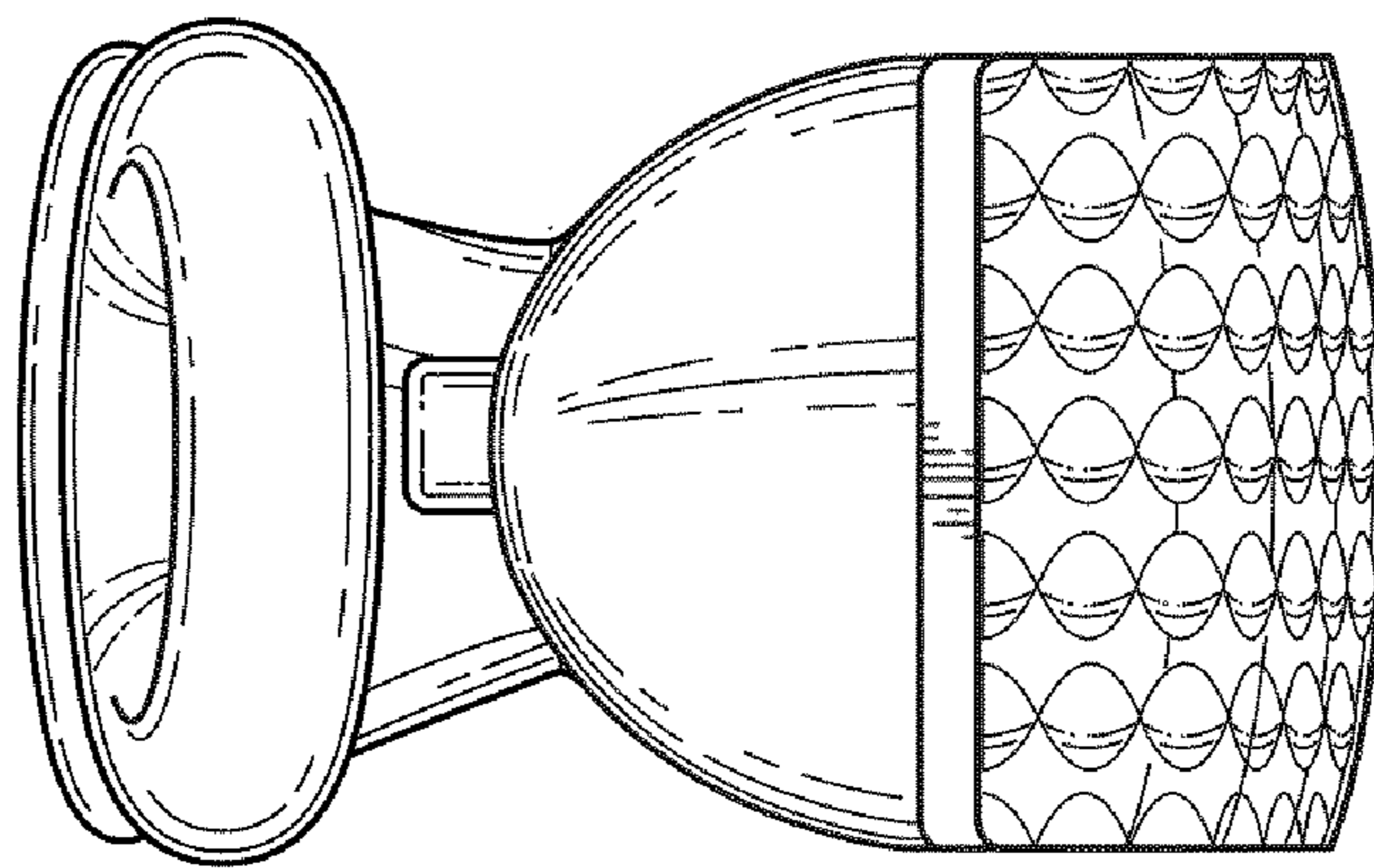


FIG. 7