



US00D633477S

(12) **United States Design Patent**  
**Lorenzo**

(10) **Patent No.:** **US D633,477 S**  
(45) **Date of Patent:** **\*\* Mar. 1, 2011**

(54) **COMBINED EARBUD CLIP AND JACK PROTECTOR**

(76) Inventor: **Erick Lorenzo**, Miami, FL (US)

(\*\*) Term: **14 Years**

(21) Appl. No.: **29/366,771**

(22) Filed: **Jul. 29, 2010**

(51) **LOC (9) Cl.** ..... **14-02**

(52) **U.S. Cl.** ..... **D14/217; D14/224.1; D14/238.1; D11/200; D13/154**

(58) **Field of Classification Search** .. D14/203.1–203.8, D14/204, 205, 217, 223, 224, 224.1, 238.1, D14/496; D13/118, 120, 133, 148, 149, D13/151, 156, 154; D3/207, 208, 215, 218; 248/221.11, 309.1; 320/107, 110, 113–115; 361/600; 439/529, 534; 455/556.1–556.2, 455/557; D11/200, 201, 212, 218, 184; 24/3.1, 24/3.12

See application file for complete search history.

(56) **References Cited**

**U.S. PATENT DOCUMENTS**

|              |      |         |              |       |         |
|--------------|------|---------|--------------|-------|---------|
| D212,006     | S *  | 8/1968  | Roberts      | ..... | D14/155 |
| D350,314     | S *  | 9/1994  | Schweitzer   | ..... | D11/200 |
| D372,420     | S *  | 8/1996  | Mendez       | ..... | D8/383  |
| D461,746     | S *  | 8/2002  | Olson et al. | ..... | D11/201 |
| D567,708     | S *  | 4/2008  | Jallen       | ..... | D11/200 |
| D590,371     | S *  | 4/2009  | Leinvuo      | ..... | D14/205 |
| D601,567     | S *  | 10/2009 | Lau          | ..... | D14/217 |
| 7,824,230    | B1 * | 11/2010 | Ho           | ..... | 439/669 |
| 2010/0000054 | A1 * | 1/2010  | Roser        | ..... | 24/3.12 |
| 2010/0112871 | A1 * | 5/2010  | Yin          | ..... | 439/669 |

\* cited by examiner

*Primary Examiner*—Stella M Reid

*Assistant Examiner*—Keli L Hill

(74) *Attorney, Agent, or Firm*—Allen, Dyer, Doppelt, Milbrath & Gilchrist, P.A.

(57) **CLAIM**

The ornamental design for a combined earbud clip and jack protector, as shown and described.

**DESCRIPTION**

FIG. 1 is a top front perspective view of a combination earbud clip and jack protector;

FIG. 2 is a bottom front perspective view of the combination earbud clip and jack protector;

FIG. 3 is a front view of the combination earbud clip and jack protector;

FIG. 4 is a rear view showing the earbud clip and jack protector;

FIG. 5 is a right side view of the earbud clip and jack protector;

FIG. 6 is a left side view of the earbud clip and jack protector;

FIG. 7 is top view of the earbud clip and jack protector;

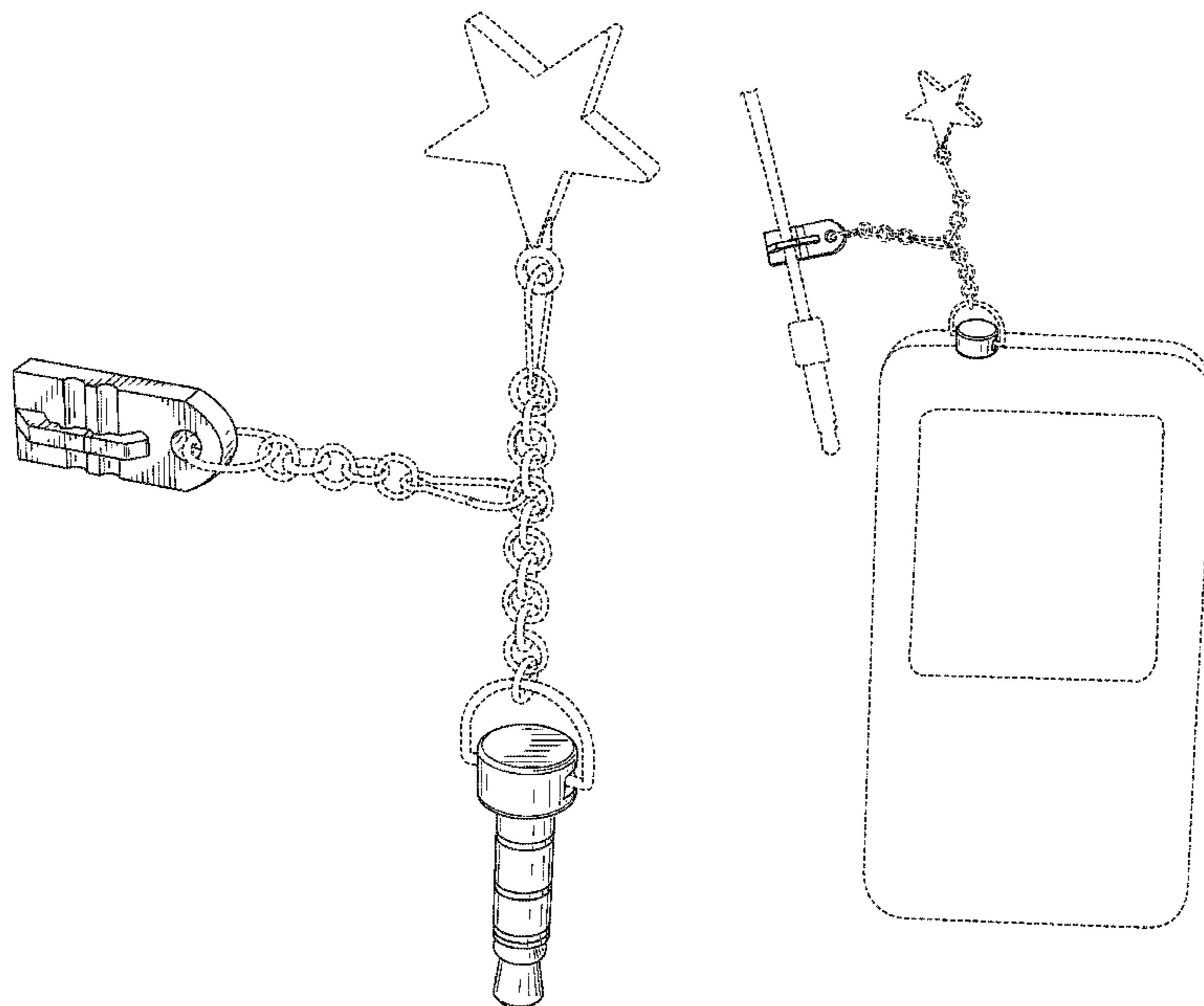
FIG. 8 is a bottom view of the earbud clip and jack protector;

FIG. 9 is a perspective view of the earbud clip and jack protector illustrating one use attached to earbuds of a digital music player; and,

FIG. 10 is a perspective view of the earbud clip and jack protector while in use on the digital music player of FIG. 9.

The broken lines shown are included for the purpose of illustrating the unclaimed portions of the article and form no part of the claim.

**1 Claim, 8 Drawing Sheets**



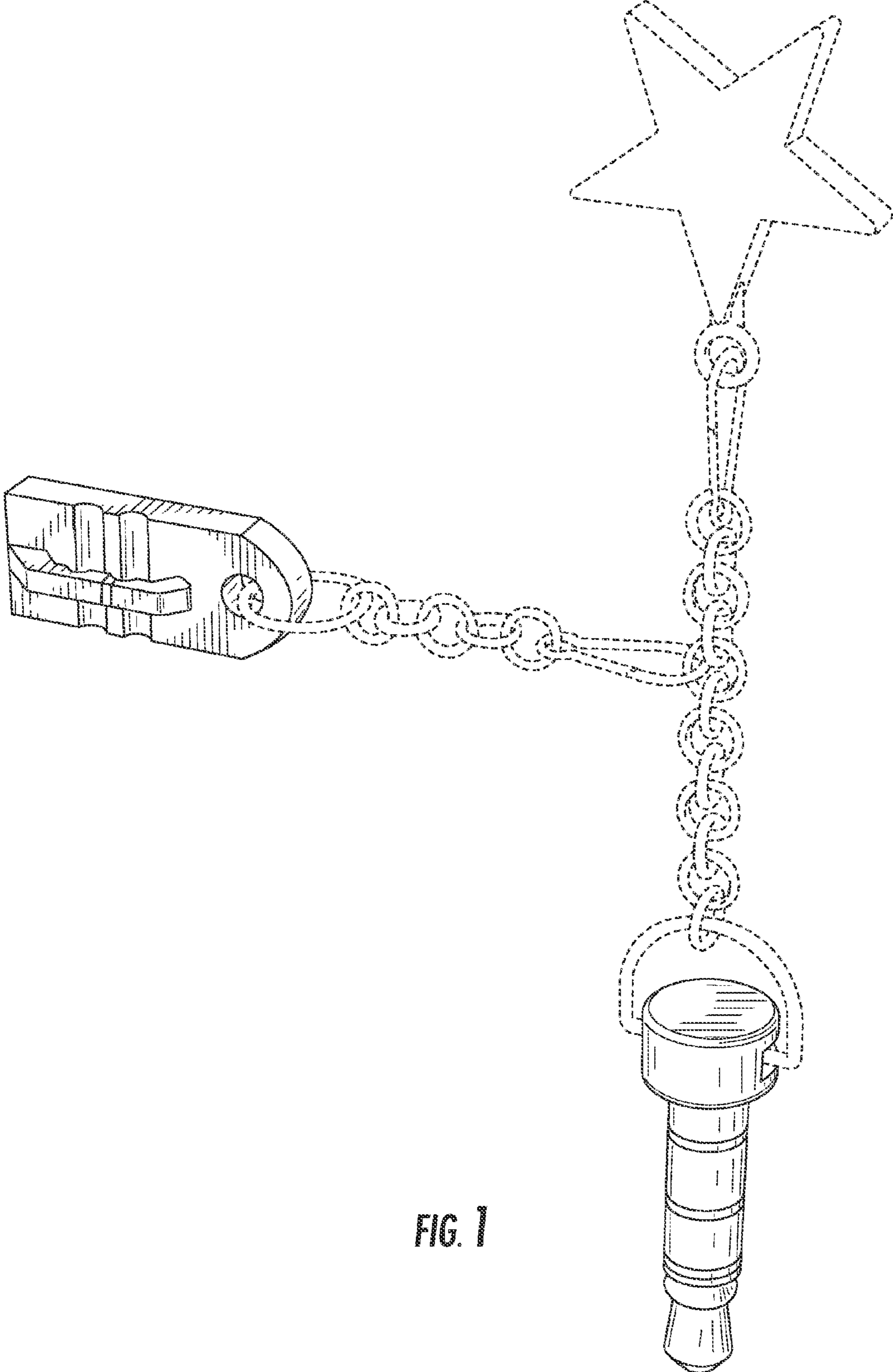


FIG. 1

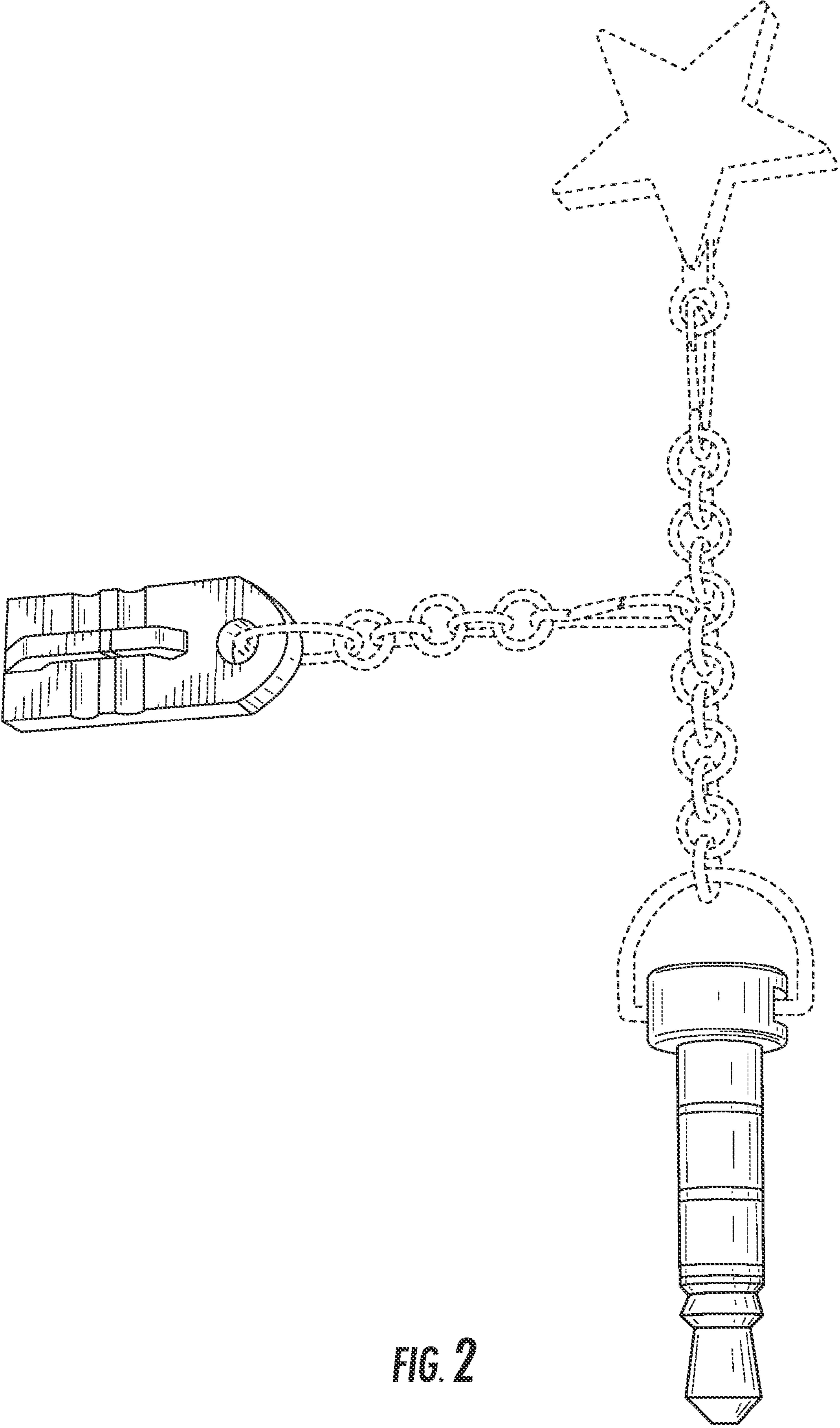


FIG. 2

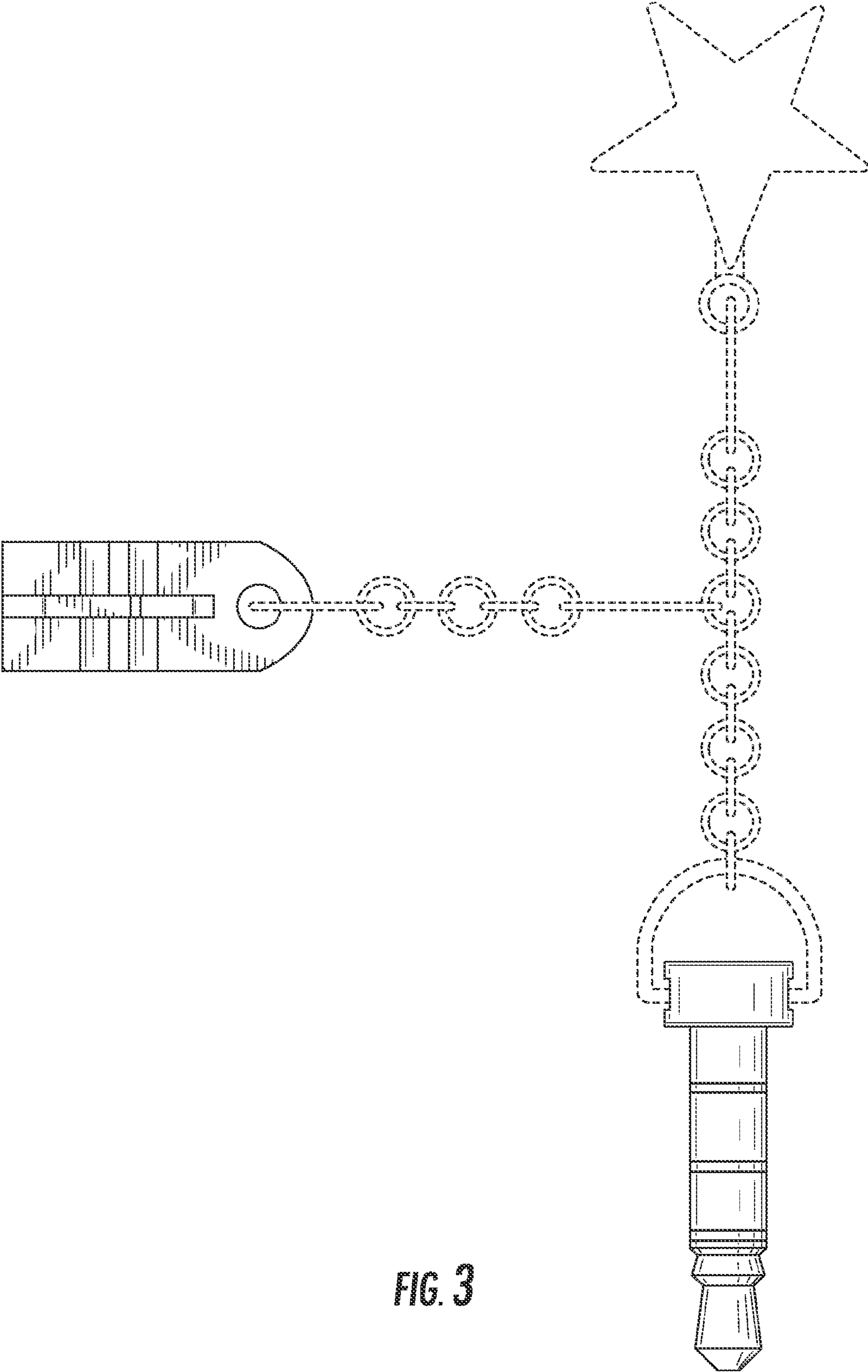


FIG. 3

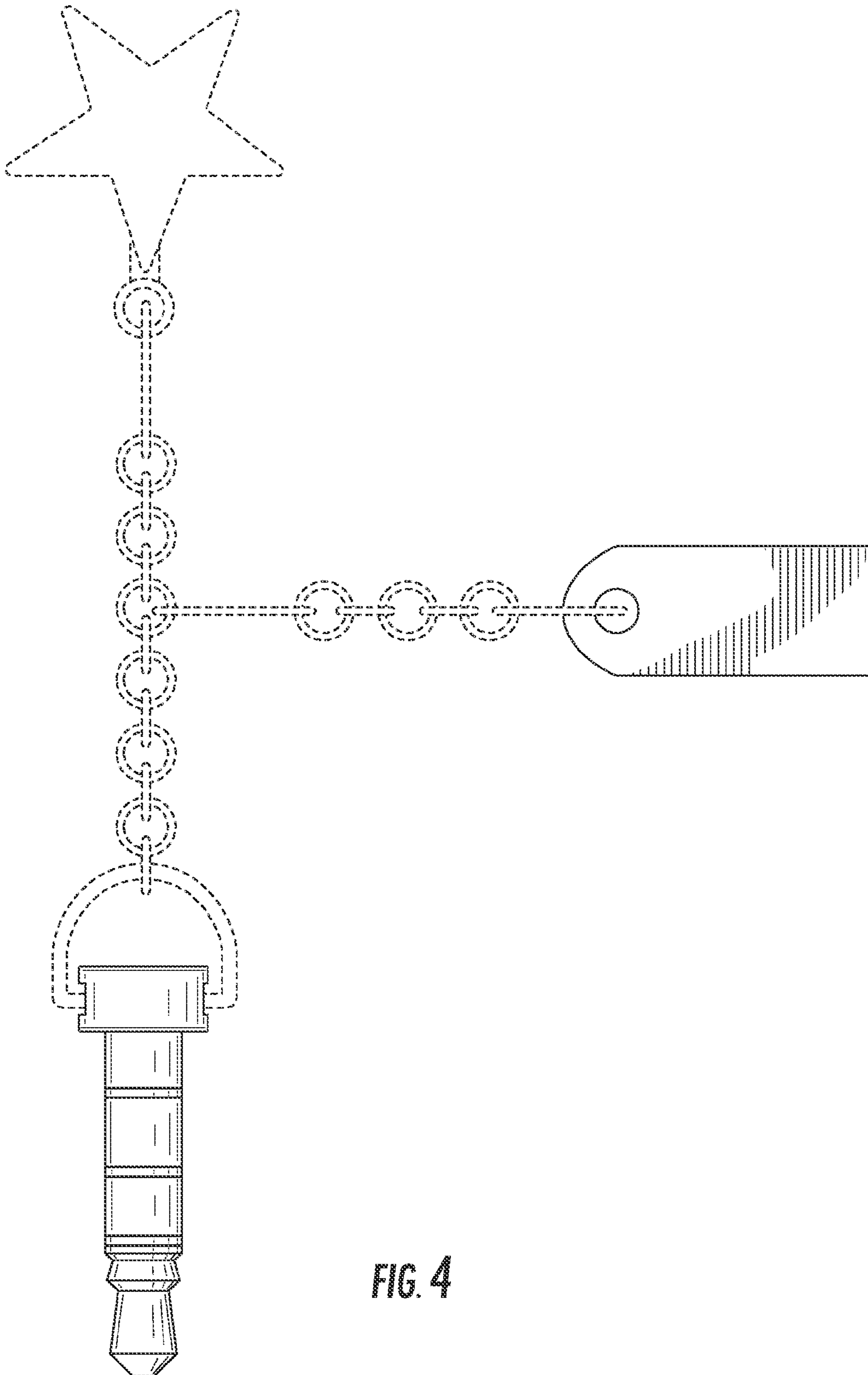


FIG. 4



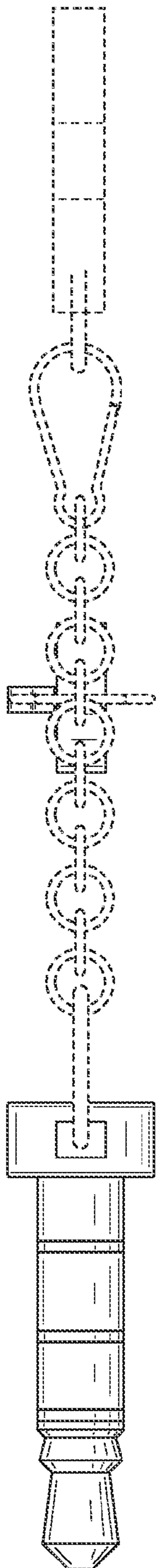


FIG. 5

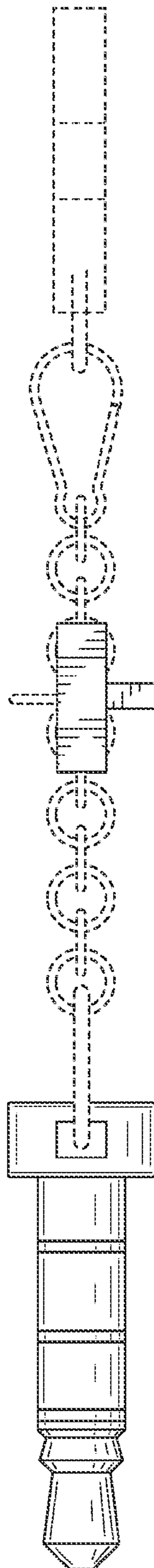


FIG. 6

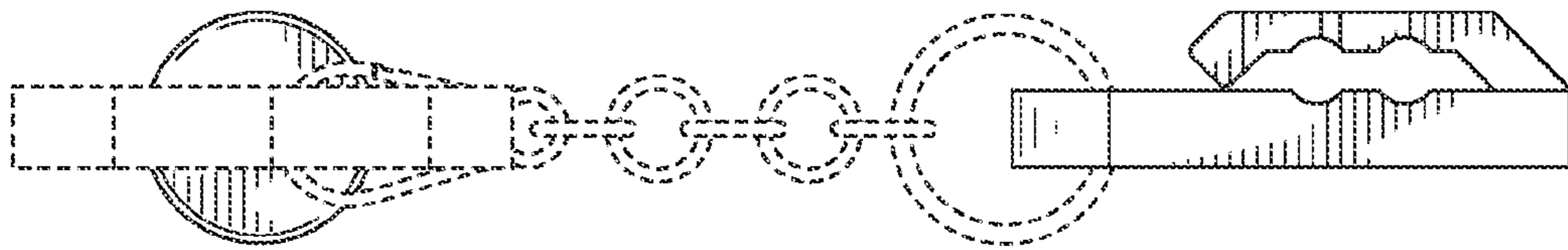


FIG. 7

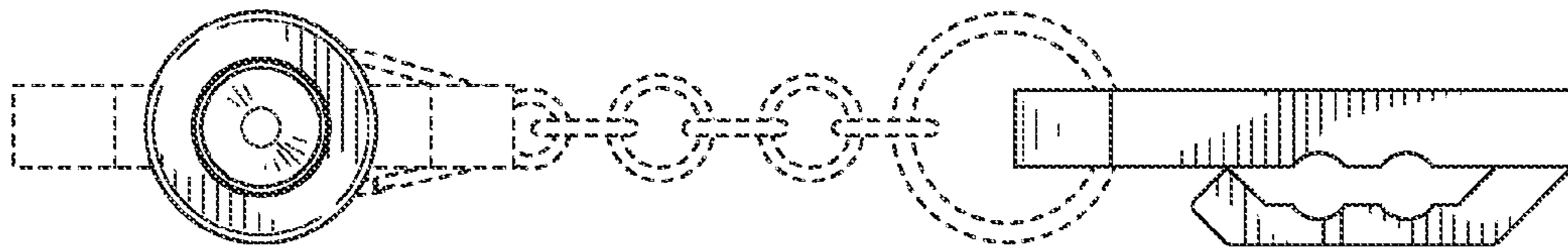


FIG. 8

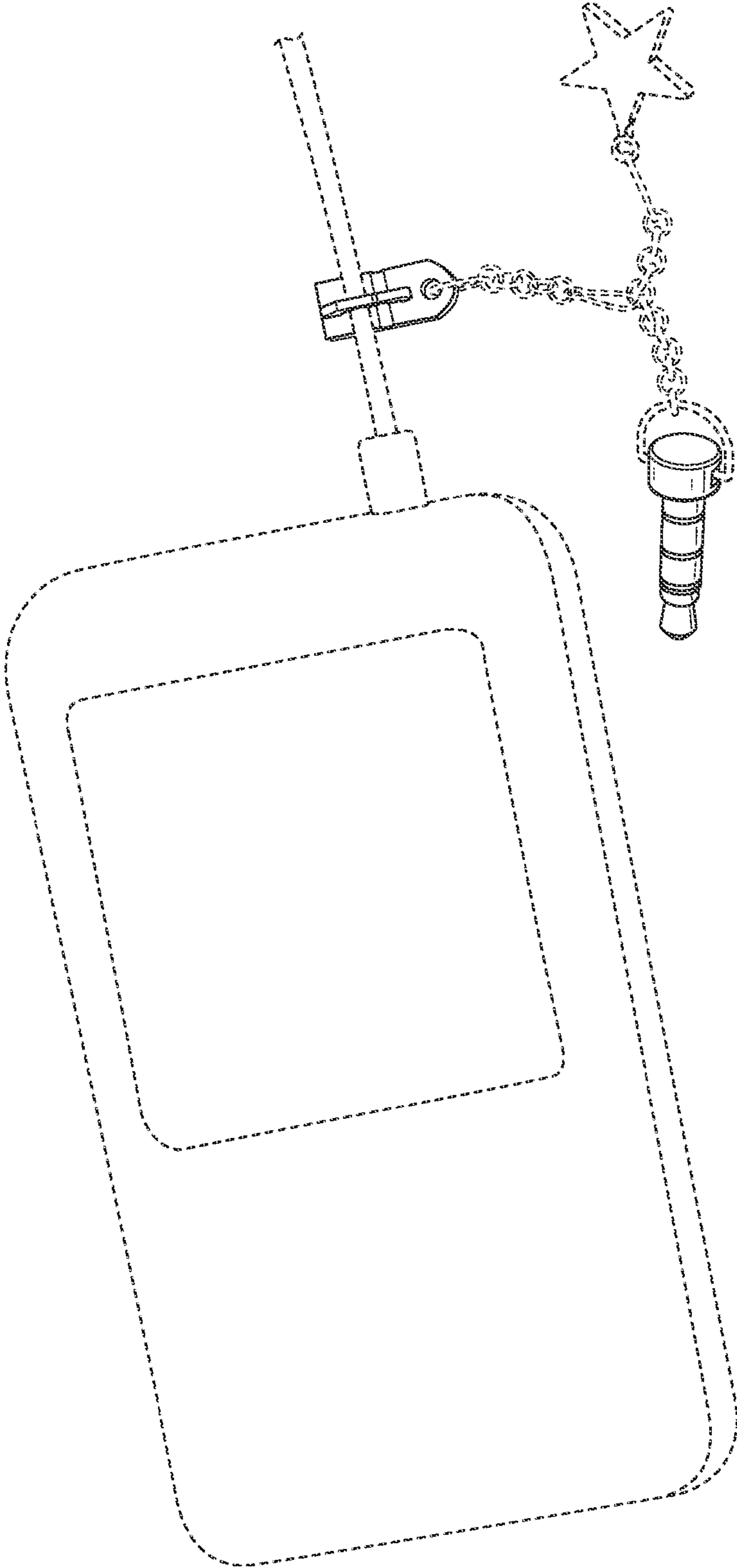


FIG. 9



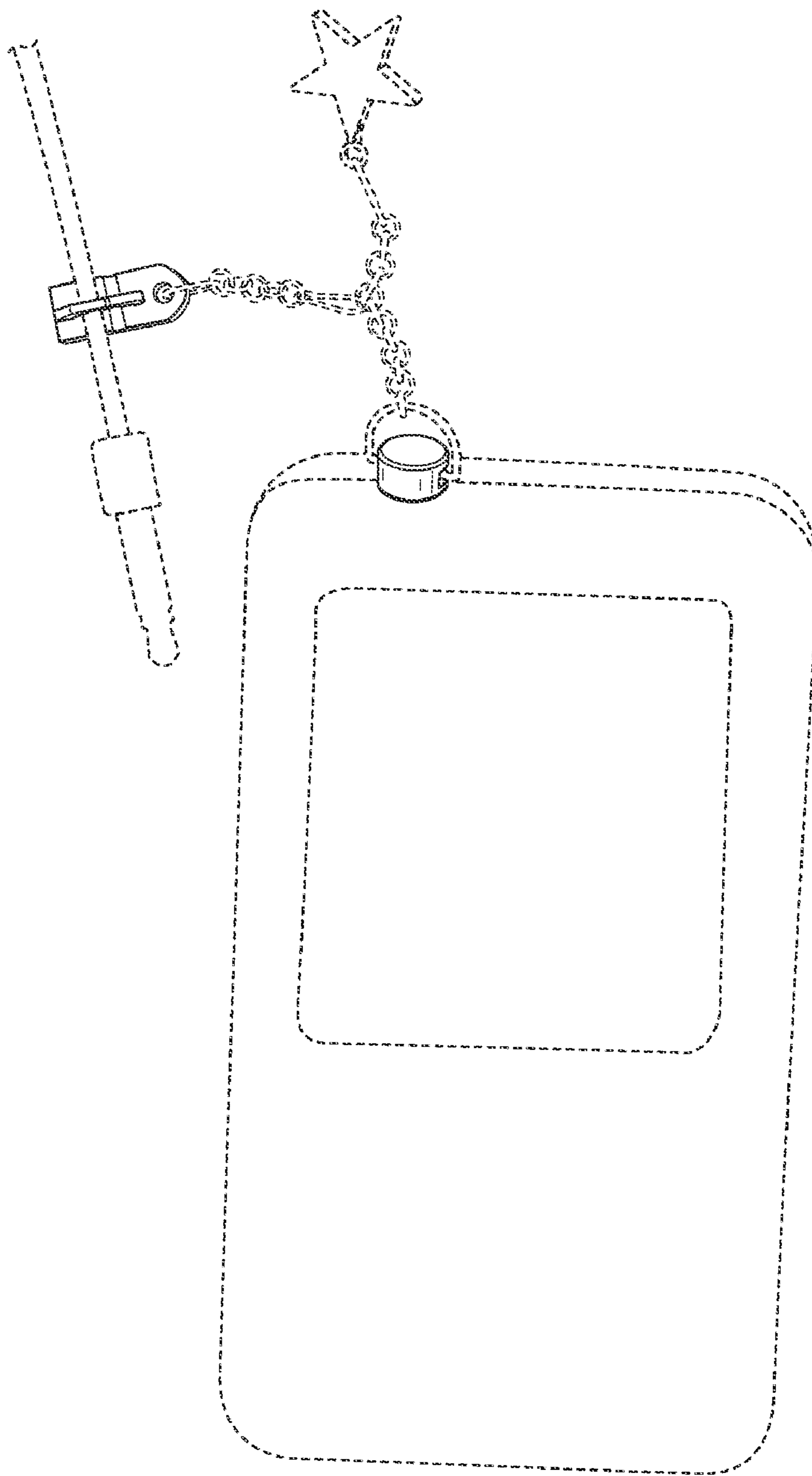


FIG. 10