



US00D633475S

(12) **United States Design Patent**
Cho

(10) **Patent No.:** **US D633,475 S**

(45) **Date of Patent:** **** Mar. 1, 2011**

(54) **AUDIO SET**

(75) Inventor: **Ju-Won Cho**, Seoul (KR)

(73) Assignee: **Samsung Electronics Co., Ltd.**,
Maetan-dong, Yeongtong-gu, Suwon-si,
Gyeonggi-do (KR)

(**) Term: **14 Years**

(21) Appl. No.: **29/348,764**

(22) Filed: **Feb. 11, 2010**

(51) **LOC (9) Cl.** **14-01**

(52) **U.S. Cl.** **D14/214**

(58) **Field of Classification Search** D14/204,
D14/210–216, 168, 172; 181/143–144, 147–148,
181/150–153, 157, 198–199; 381/300–303,
381/306, 332–333, 336, 345, 361–364, 386–388
See application file for complete search history.

(56) **References Cited**

U.S. PATENT DOCUMENTS

- D225,748 S * 1/1973 Boldt D14/212
- D247,490 S * 3/1978 Everidge D14/212
- D508,042 S * 8/2005 Oikawa D14/214
- D545,299 S * 6/2007 Tsuge D14/214

D587,676 S * 3/2009 Alberdi Alorda D14/212

* cited by examiner

Primary Examiner—Nanda Bondade

(74) *Attorney, Agent, or Firm*—Lexyoume IP Group, PLLC.

(57) **CLAIM**

The ornamental design for an audio set, as shown and described.

DESCRIPTION

FIG. 1 is a perspective view of an audio set showing my new design;

FIG. 2 is a front elevational view thereof;

FIG. 3 is a rear elevational view thereof;

FIG. 4 is a left side elevational view thereof;

FIG. 5 is a right side elevational view thereof;

FIG. 6 is a top plan view thereof;

FIG. 7 is a bottom plan view thereof; and,

FIG. 8 is a cross-sectional view omitted the internal structure of the audio set taken on line 8—8 in FIG. 2.

The broken lines in the drawings are for illustrative purpose only and form no part of the claimed design.

1 Claim, 8 Drawing Sheets

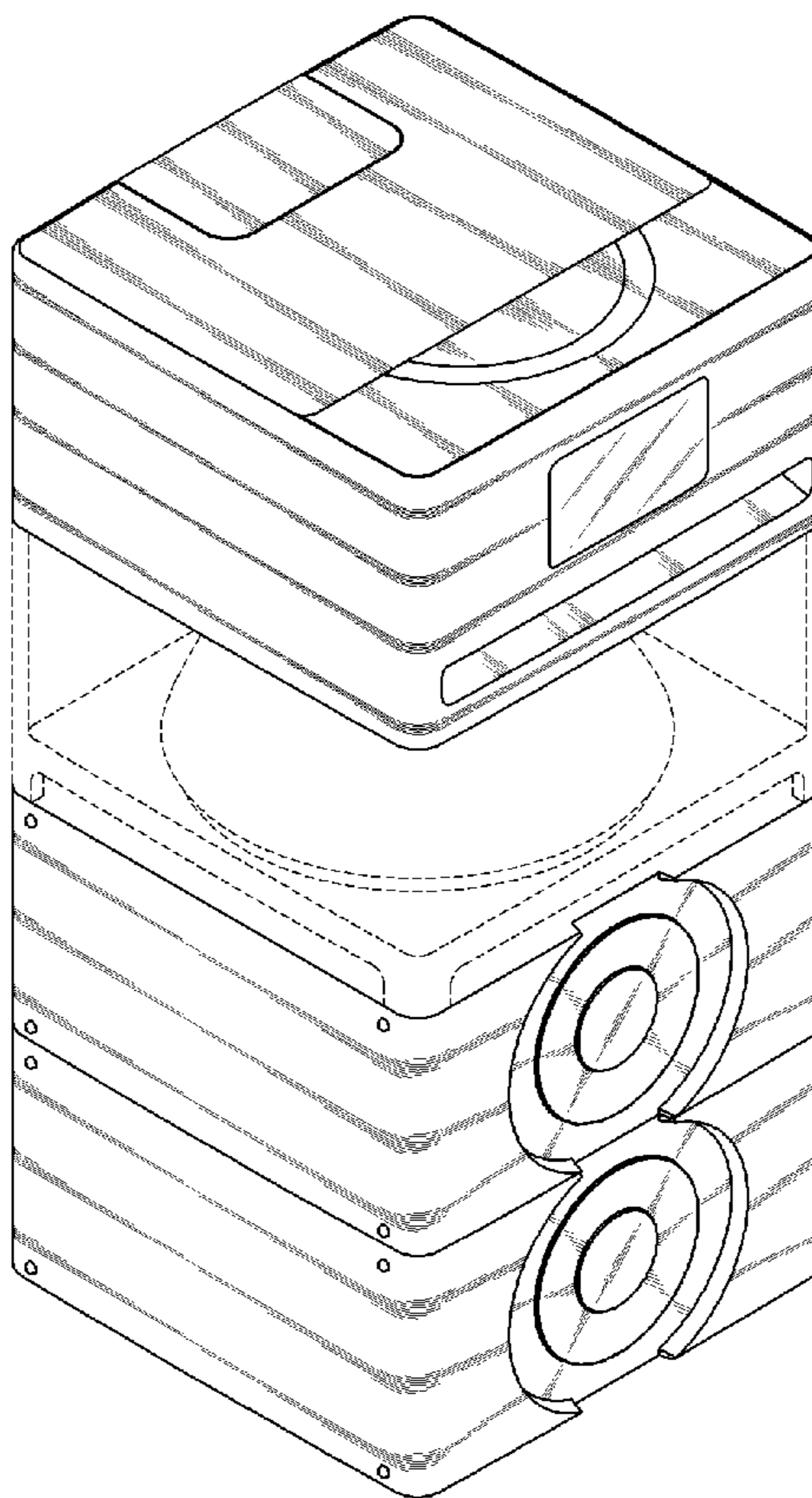


FIG. 1

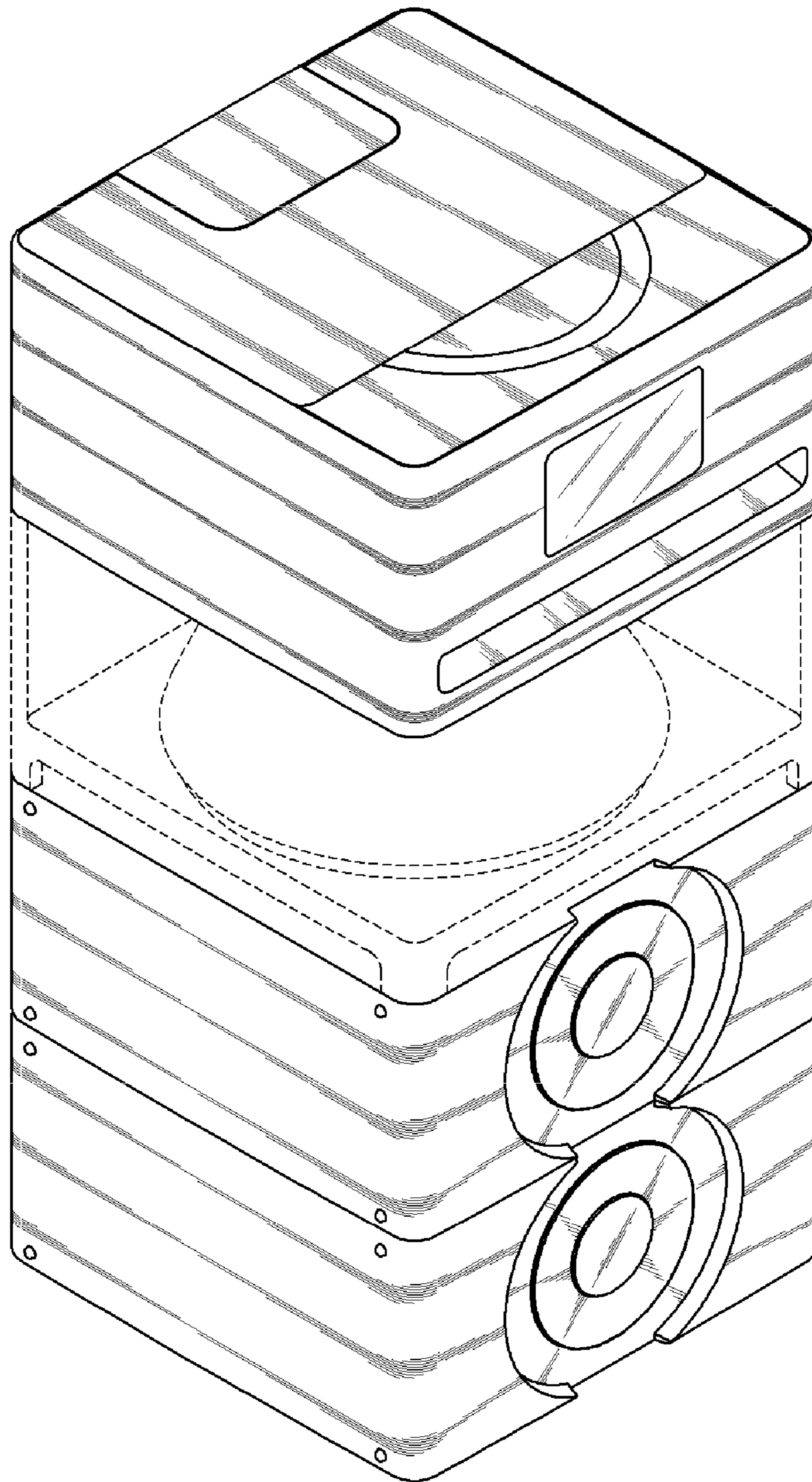


FIG. 2

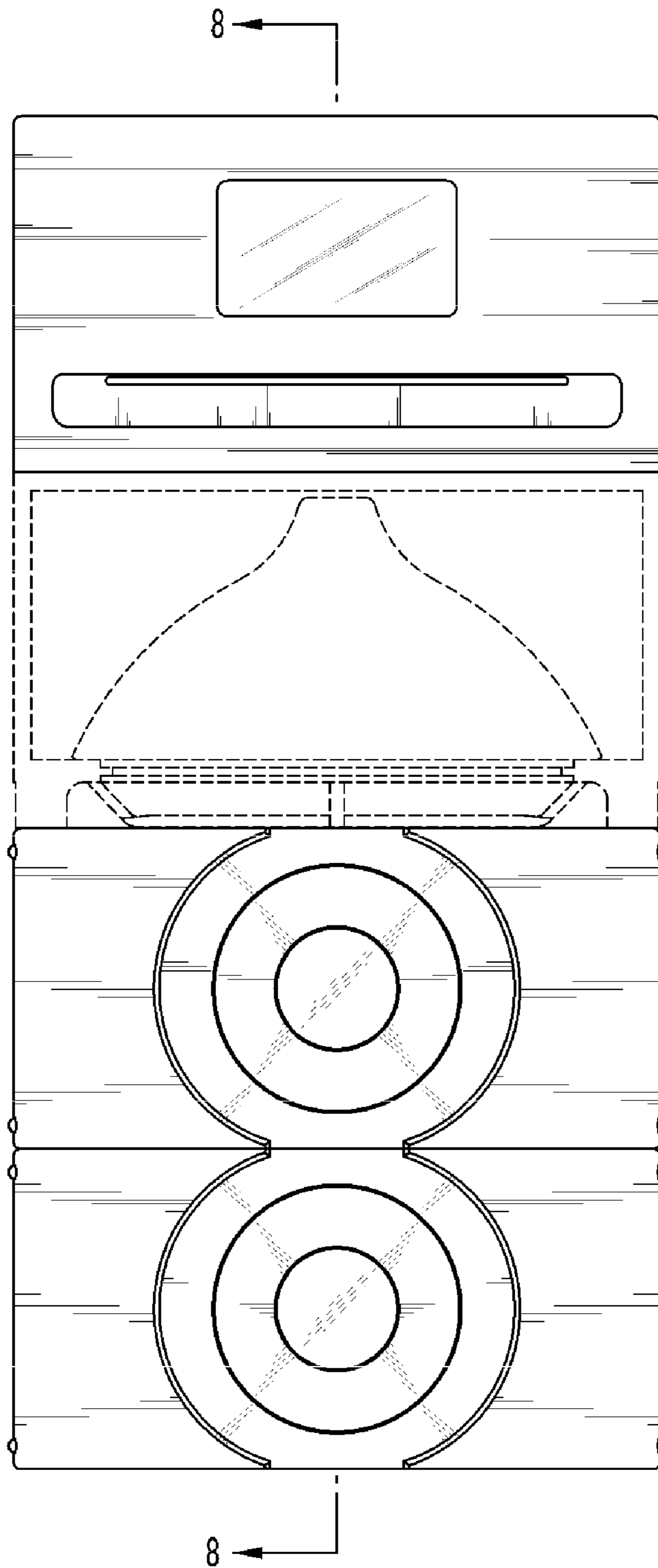


FIG. 3

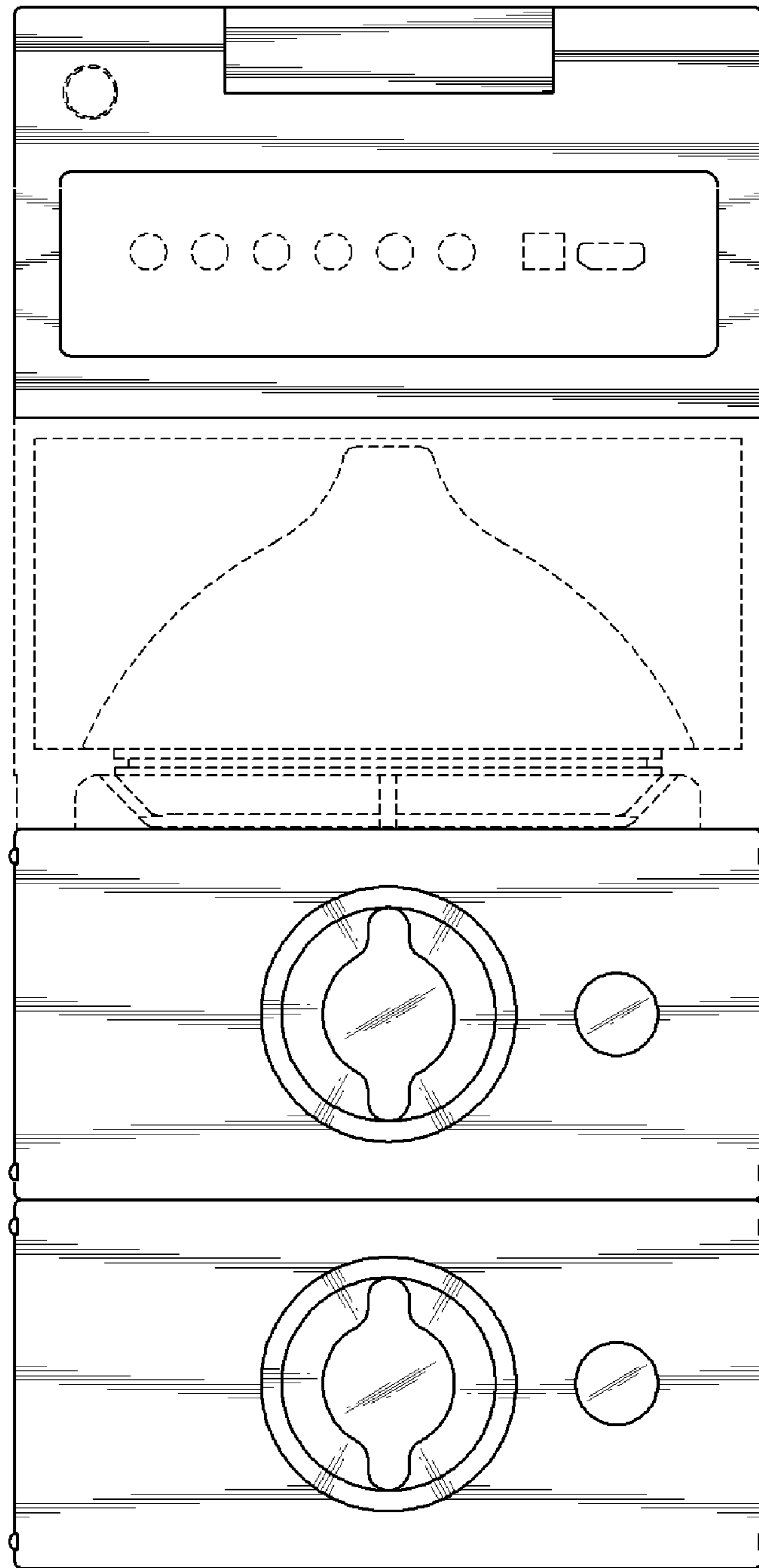


FIG. 4

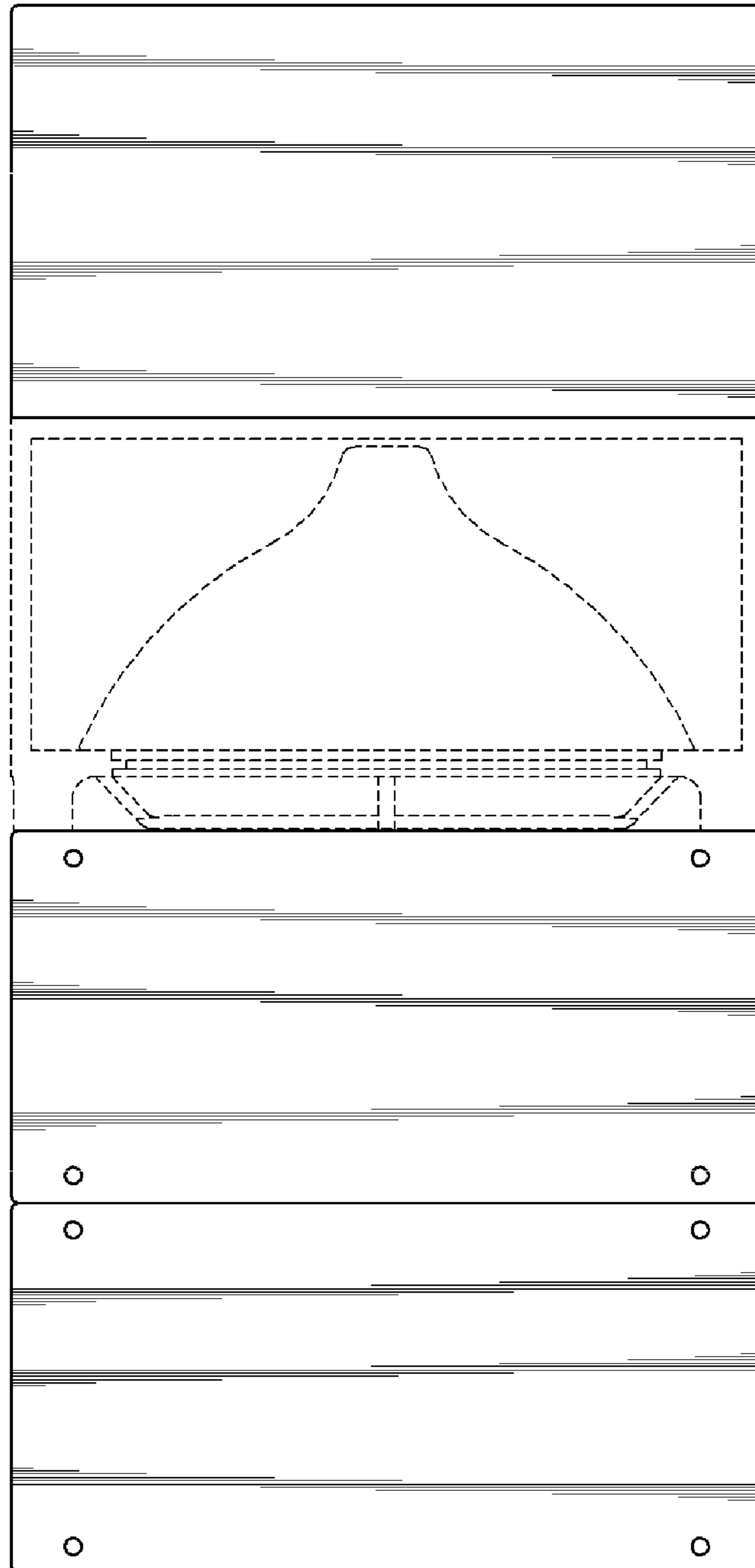


FIG. 5

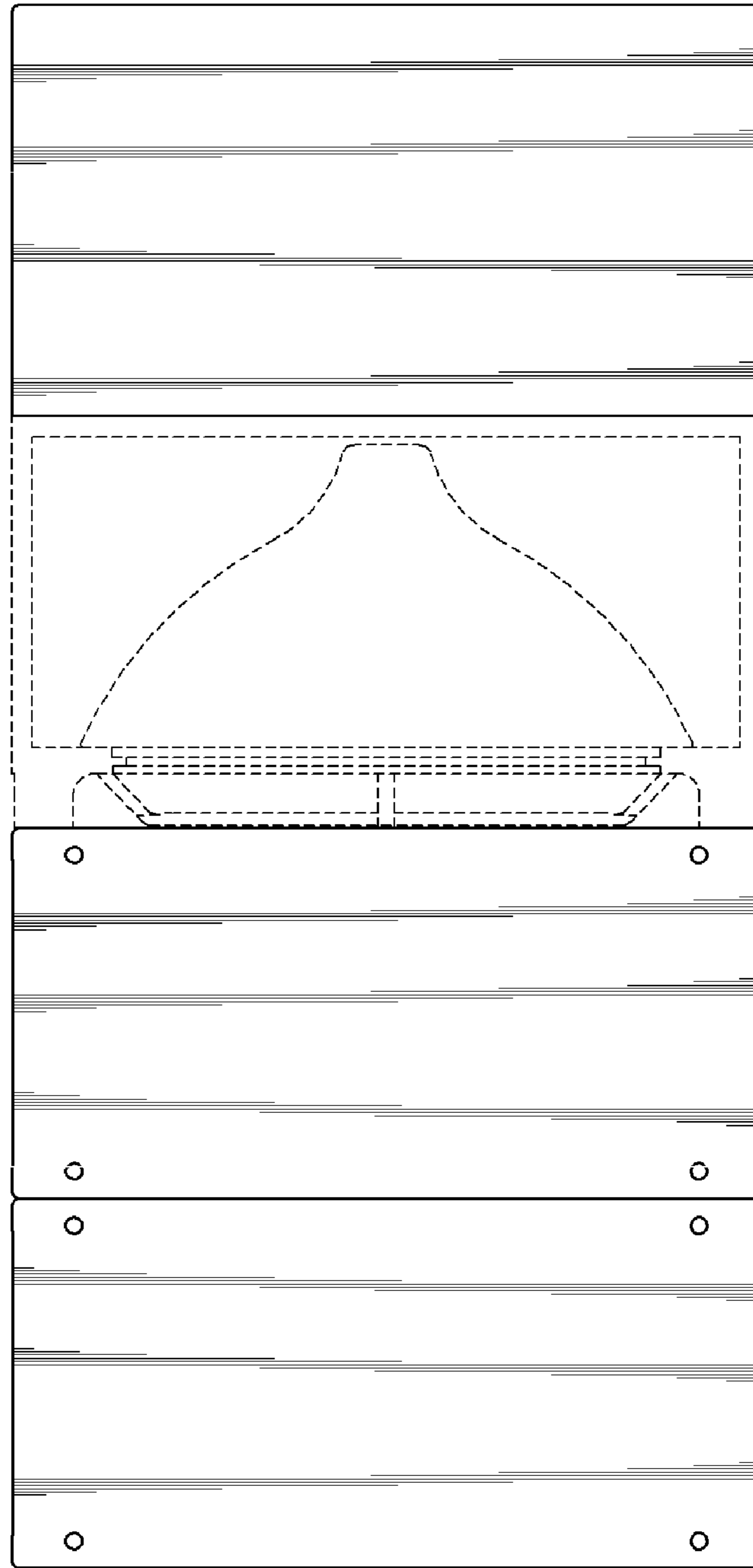


FIG. 6

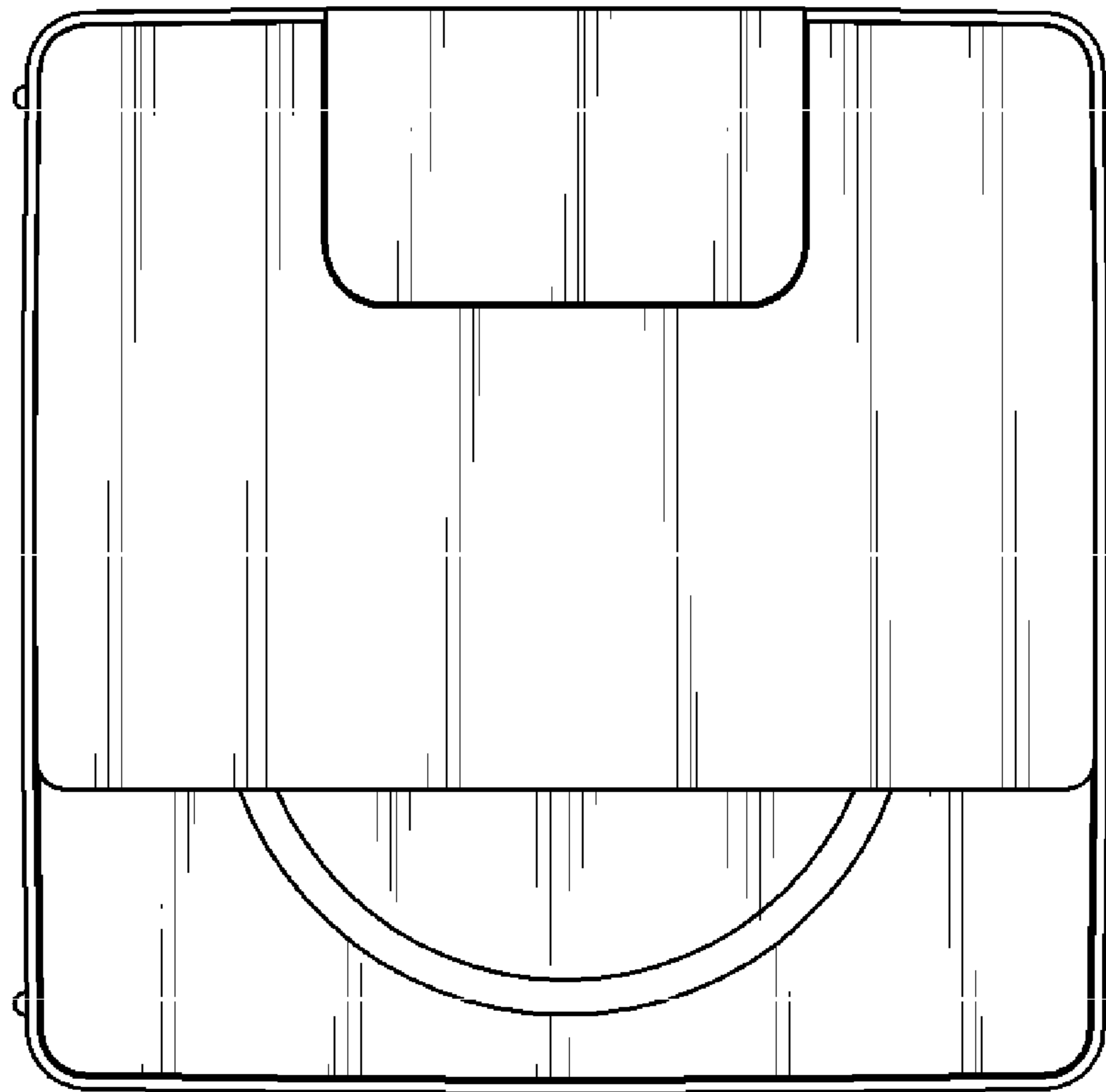


FIG. 7

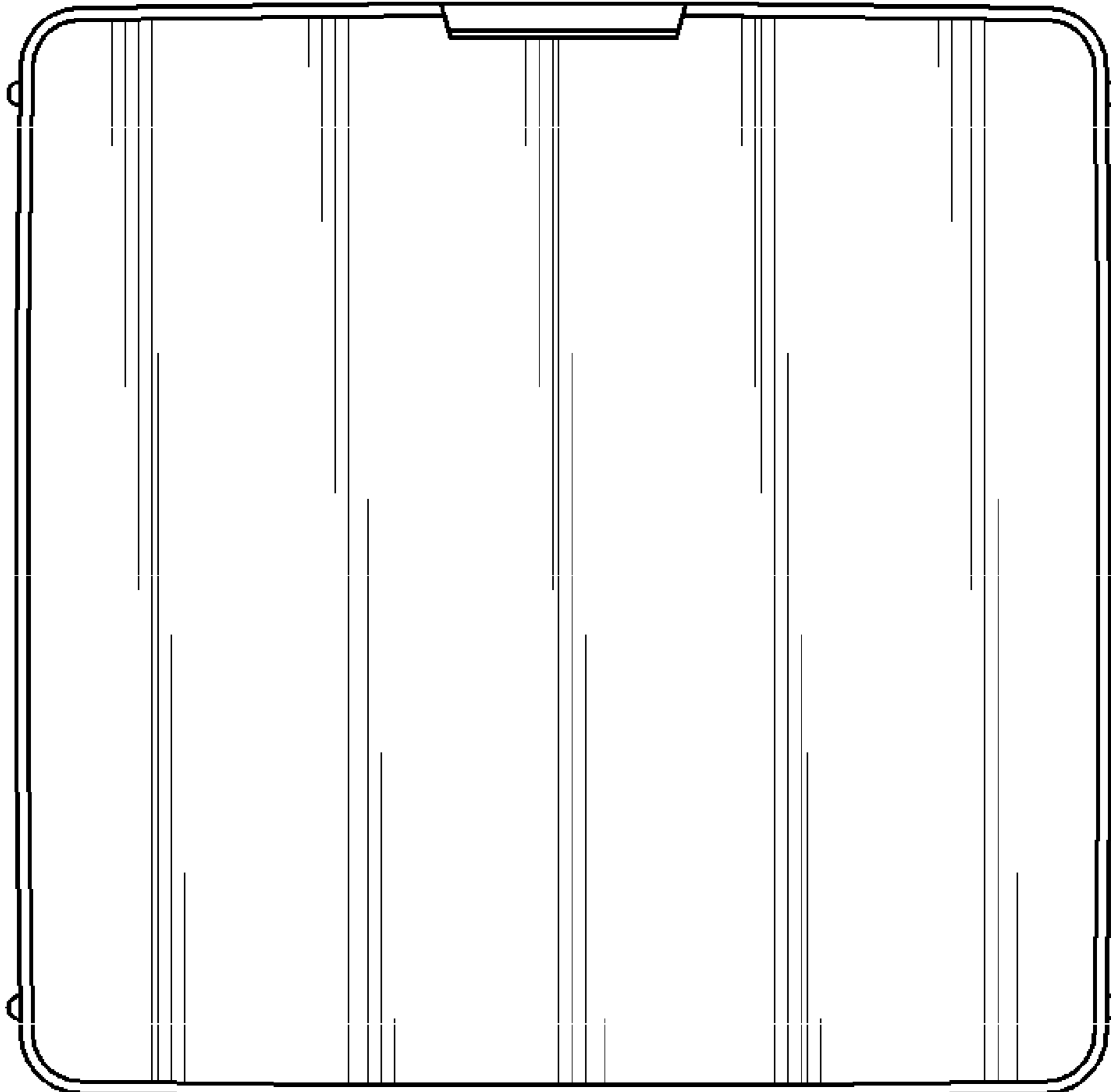


FIG. 8

