



US00D633473S

(12) **United States Design Patent**  
**Takeshi Yeung**

(10) **Patent No.:** **US D633,473 S**  
(45) **Date of Patent:** **\*\* Mar. 1, 2011**

(54) **ACOUSTICAL SPEAKER**

(76) Inventor: **Man Chiu Takeshi Yeung**, New York, NY (US)

(\*\*) Term: **14 Years**

(21) Appl. No.: **29/351,587**

(22) Filed: **Dec. 8, 2009**

(51) **LOC (9) Cl.** ..... **14-01**

(52) **U.S. Cl.** ..... **D14/207**

(58) **Field of Classification Search** ..... D14/204, D14/209, 209.1; 181/143-144, 147-148, 181/150-153, 157, 198-199; 381/300-303, 381/306, 332-333, 336, 345, 361-364, 386-388; D9/522, 526; D7/612, 615; 211/74, 181.1  
See application file for complete search history.

(56) **References Cited**

**U.S. PATENT DOCUMENTS**

D110,477 S *	7/1938	Carpenter	.....	D9/526
D370,834 S *	6/1996	Hartman	.....	D7/612
D406,988 S *	3/1999	Tisdale	.....	D7/612
D567,221 S *	4/2008	Liang	.....	D14/207
D576,883 S *	9/2008	Carapelli	.....	D9/522
D585,303 S *	1/2009	Fitzsimmons et al.	.....	D9/526

\* cited by examiner

*Primary Examiner*—Nanda Bondade  
(74) *Attorney, Agent, or Firm*—Seth H. Ostrow; Ostrow Kaufman LLP

(57) **CLAIM**

The ornamental design for an acoustical speaker, as shown and described.

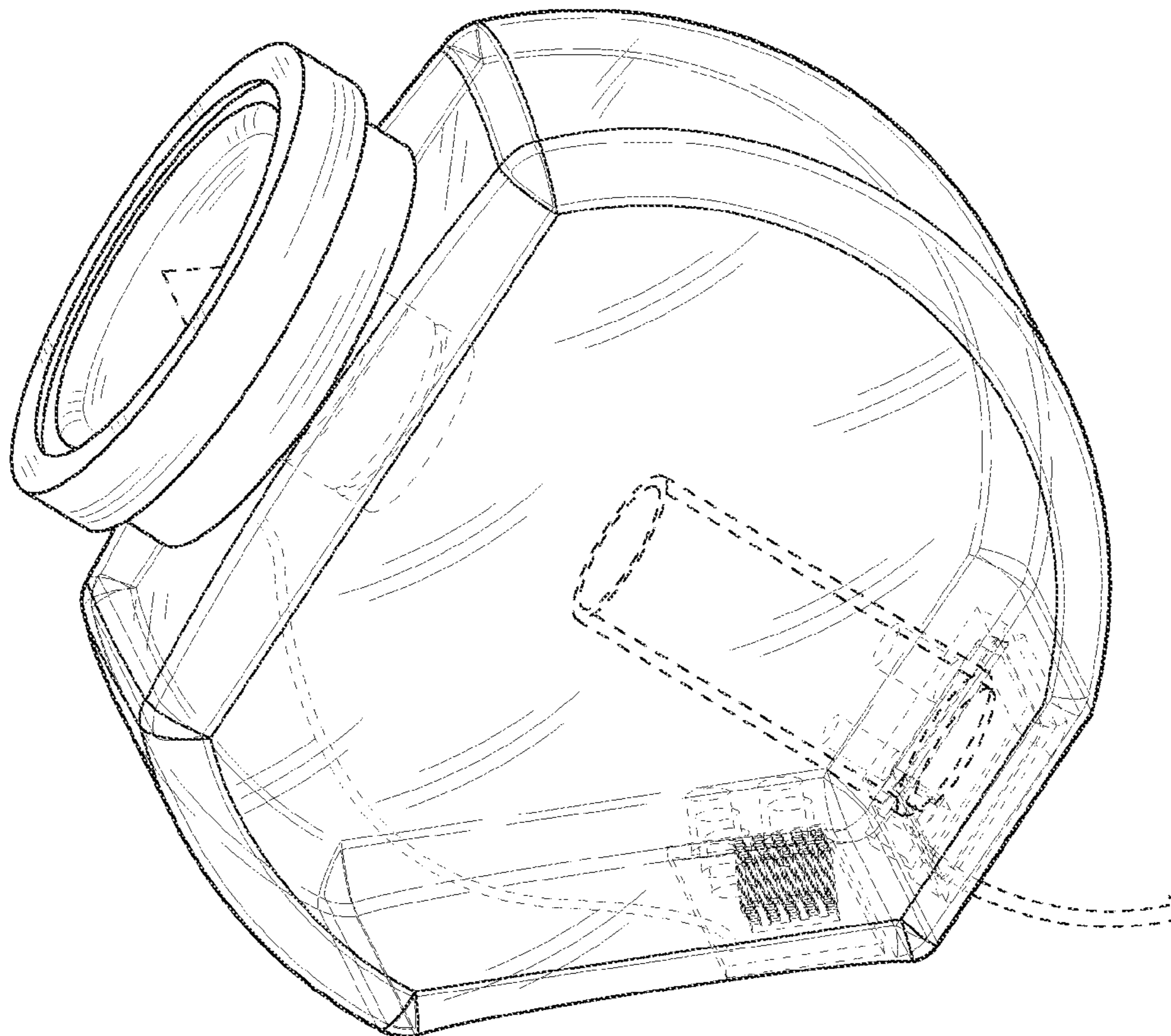
**DESCRIPTION**

FIG. 1 illustrates a perspective view of an acoustical speaker; FIG. 2 illustrates a right side view of the acoustical speaker; FIG. 3 illustrates a left side view of the acoustical speaker; FIG. 4 illustrates a front view of the acoustical speaker; FIG. 5 illustrates a rear view of the acoustical speaker; FIG. 6 illustrates a top view of the acoustical speaker; FIG. 7 illustrates a bottom view of the acoustical speaker; FIG. 8 illustrates a bottom and rear view of the acoustical speaker; and,

FIG. 9 illustrates a perspective view of another embodiment of the acoustical speaker.

The broken lines showing various internal and external acoustical speaker elements are for illustrative purposes only and form no part of the claimed design.

**1 Claim, 5 Drawing Sheets**



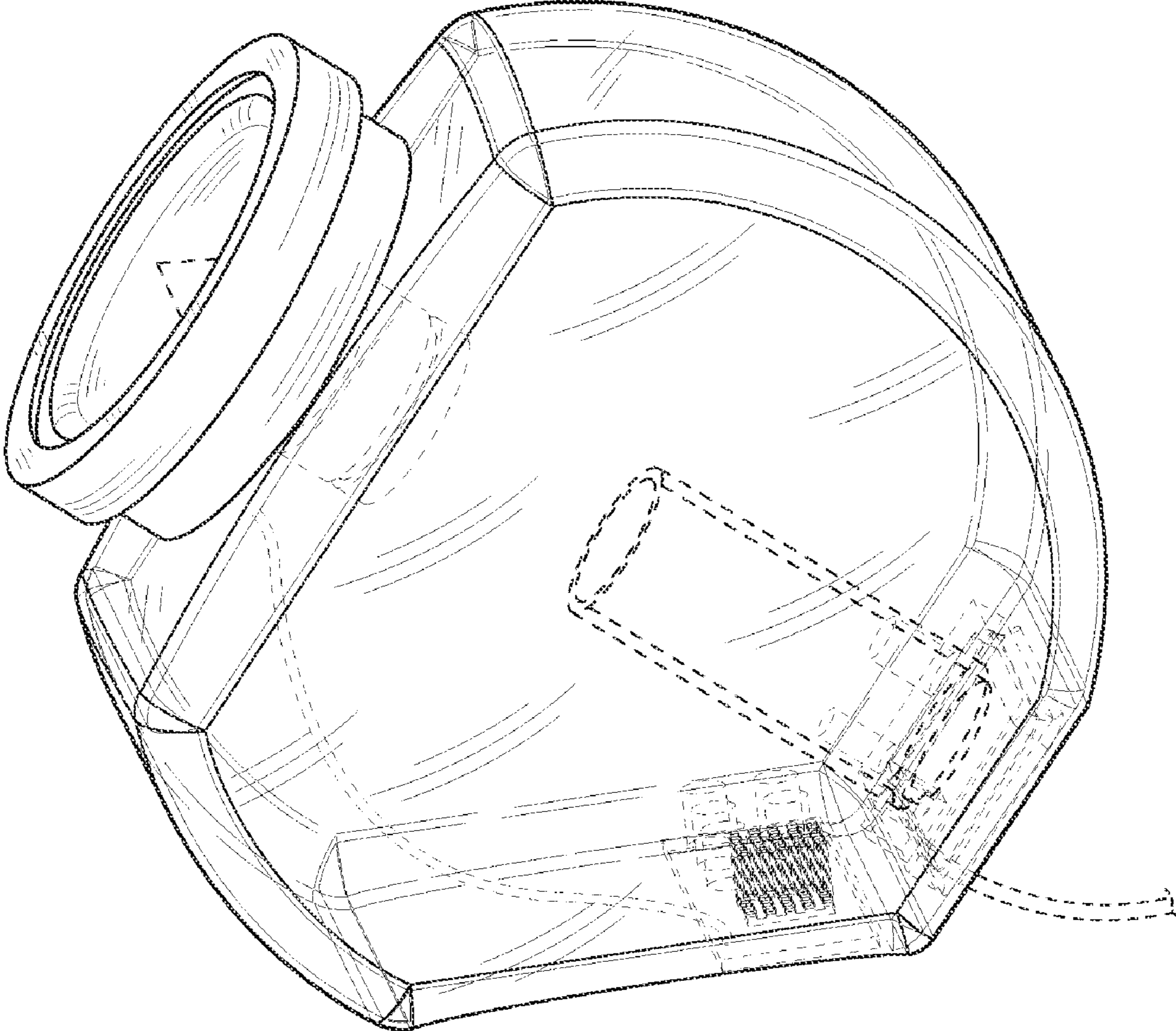


FIG. 1

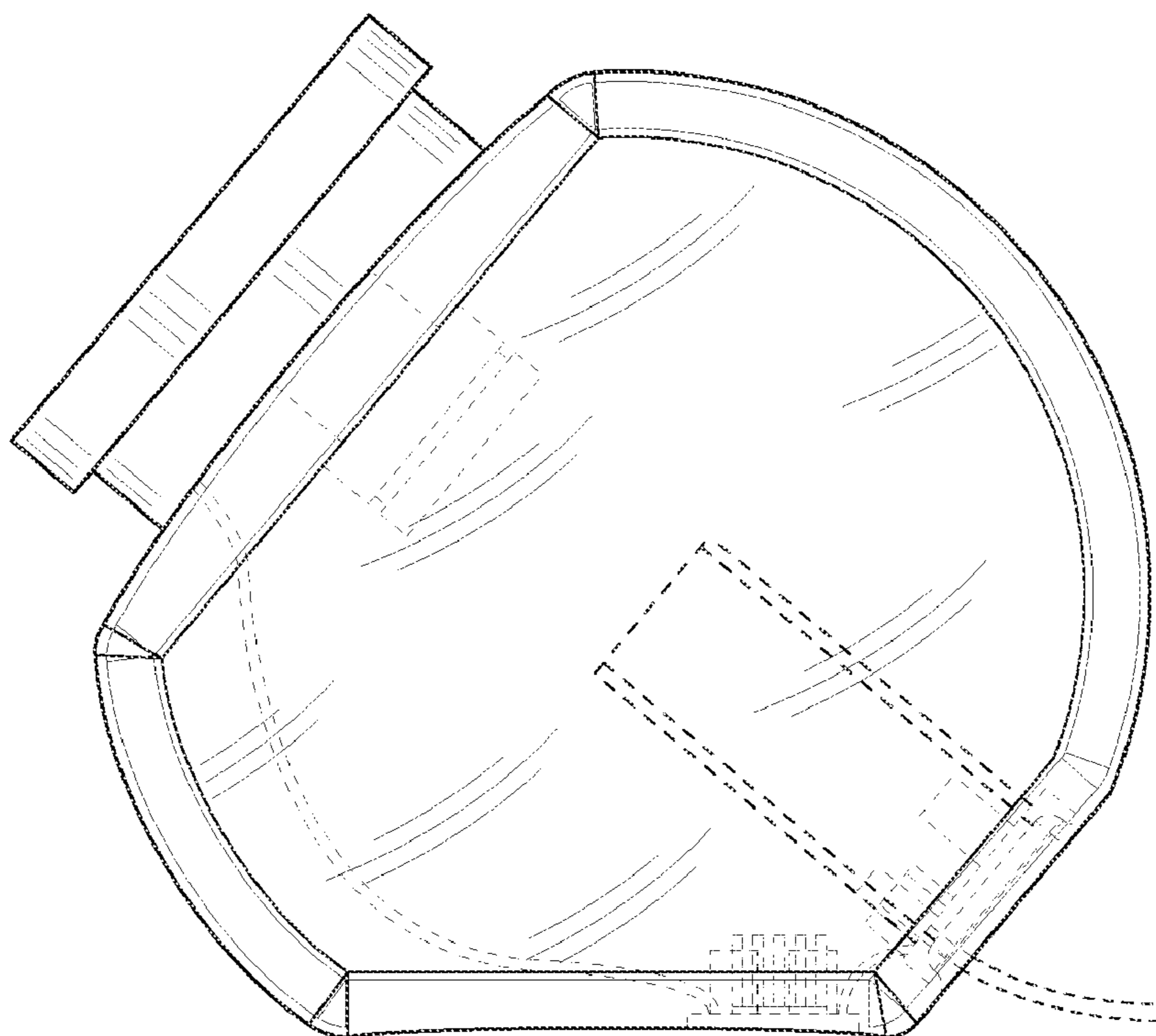


FIG. 2

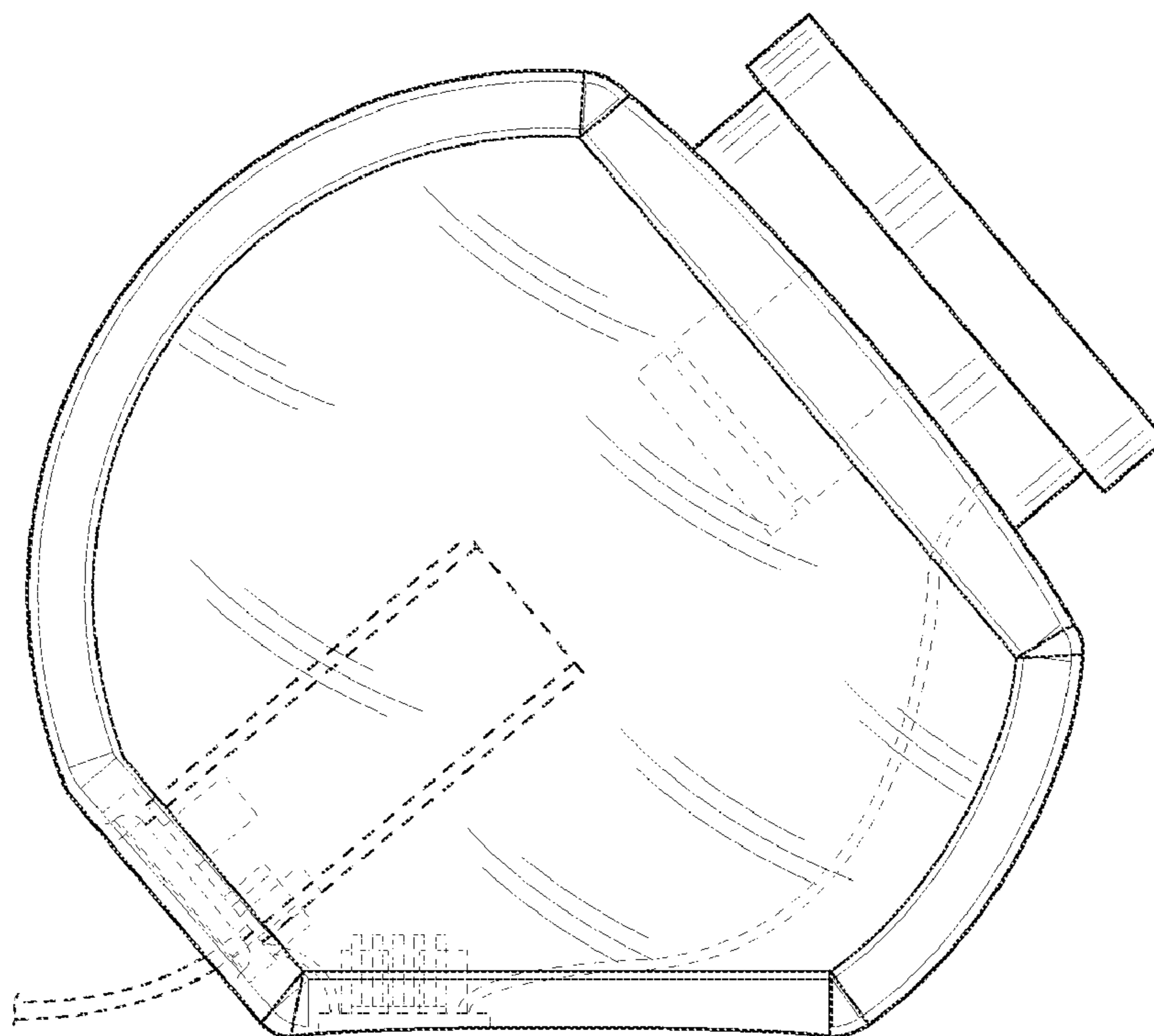


FIG. 3

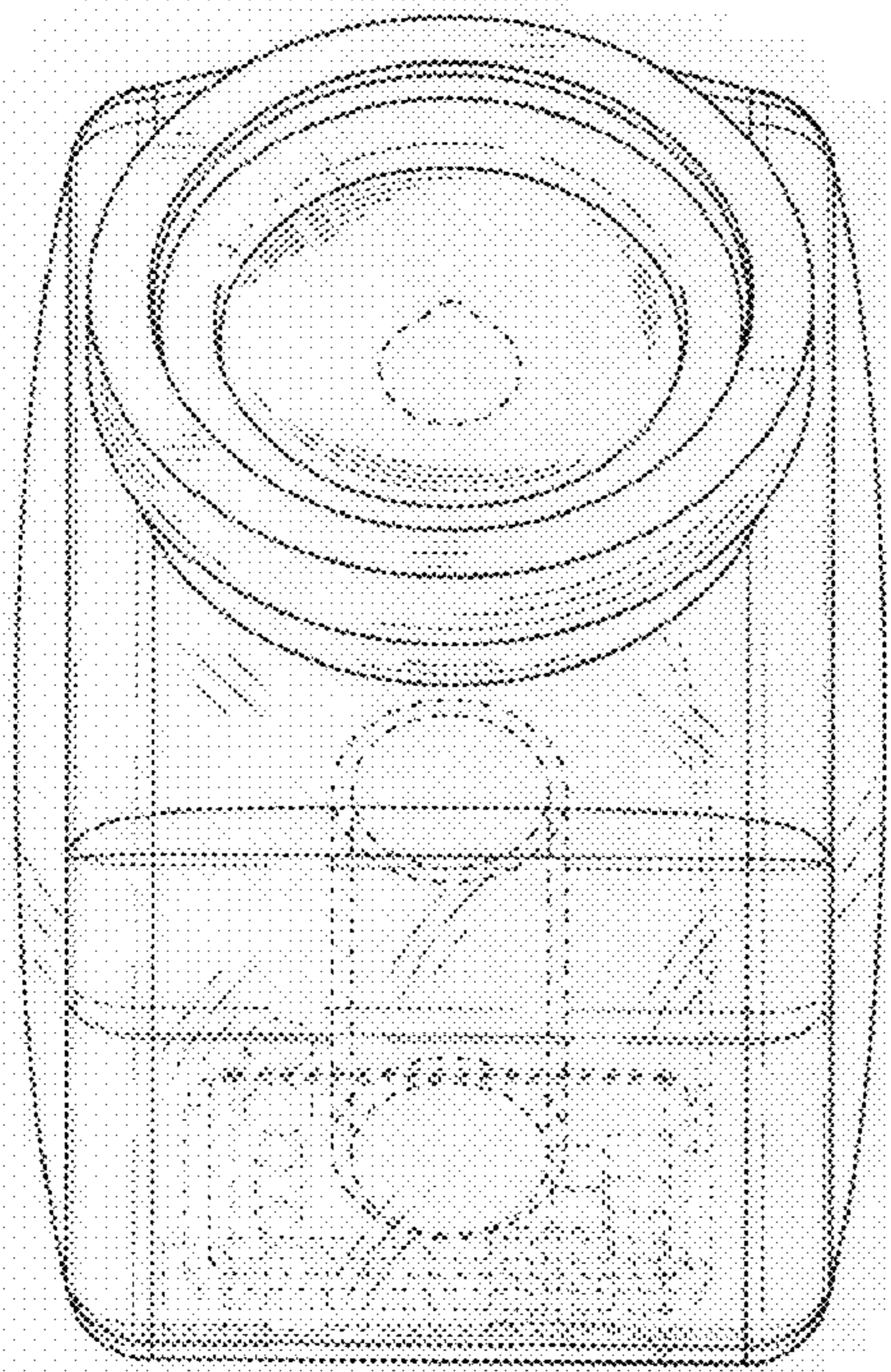


FIG. 4

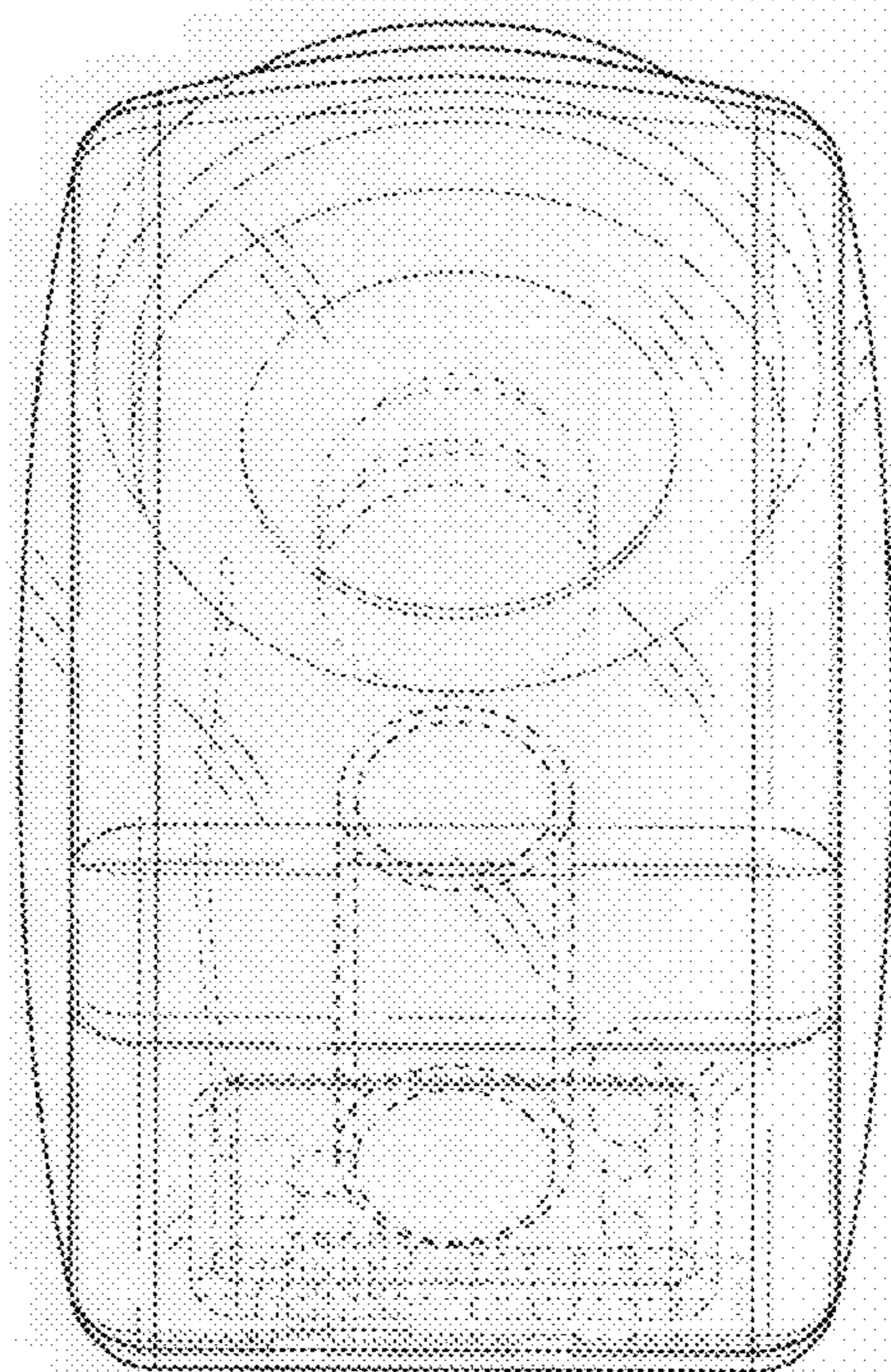


FIG. 5

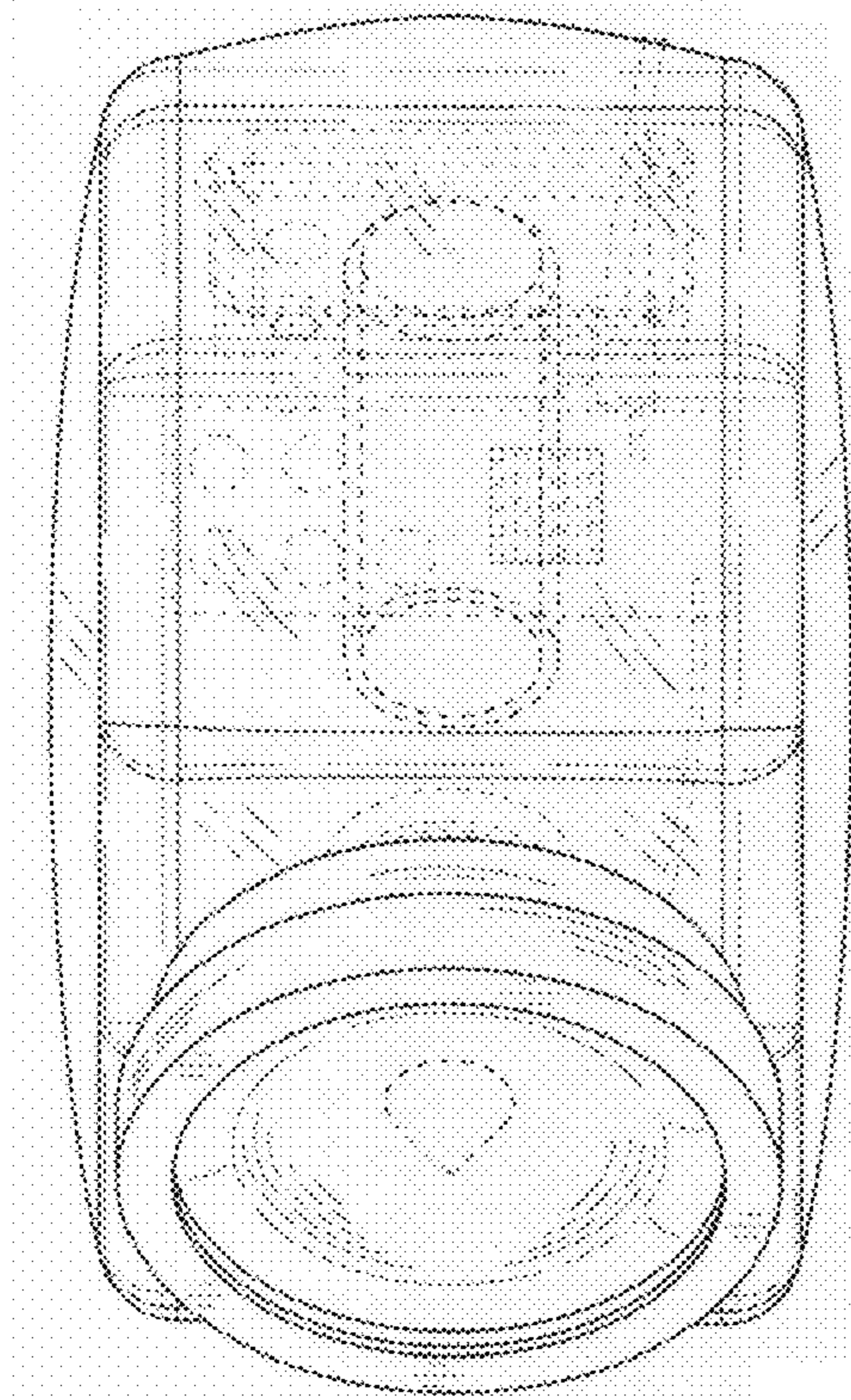


FIG. 6

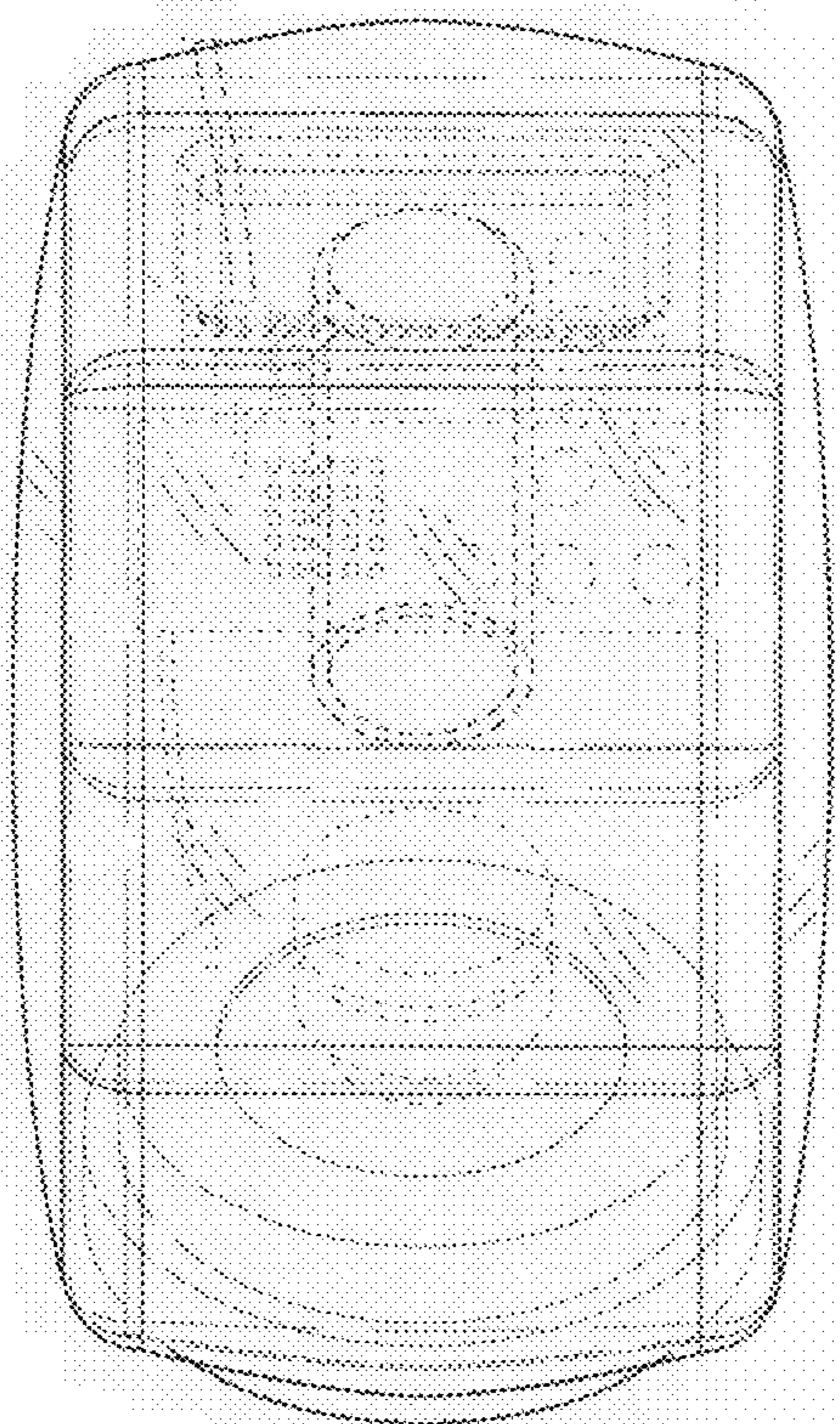


FIG. 7

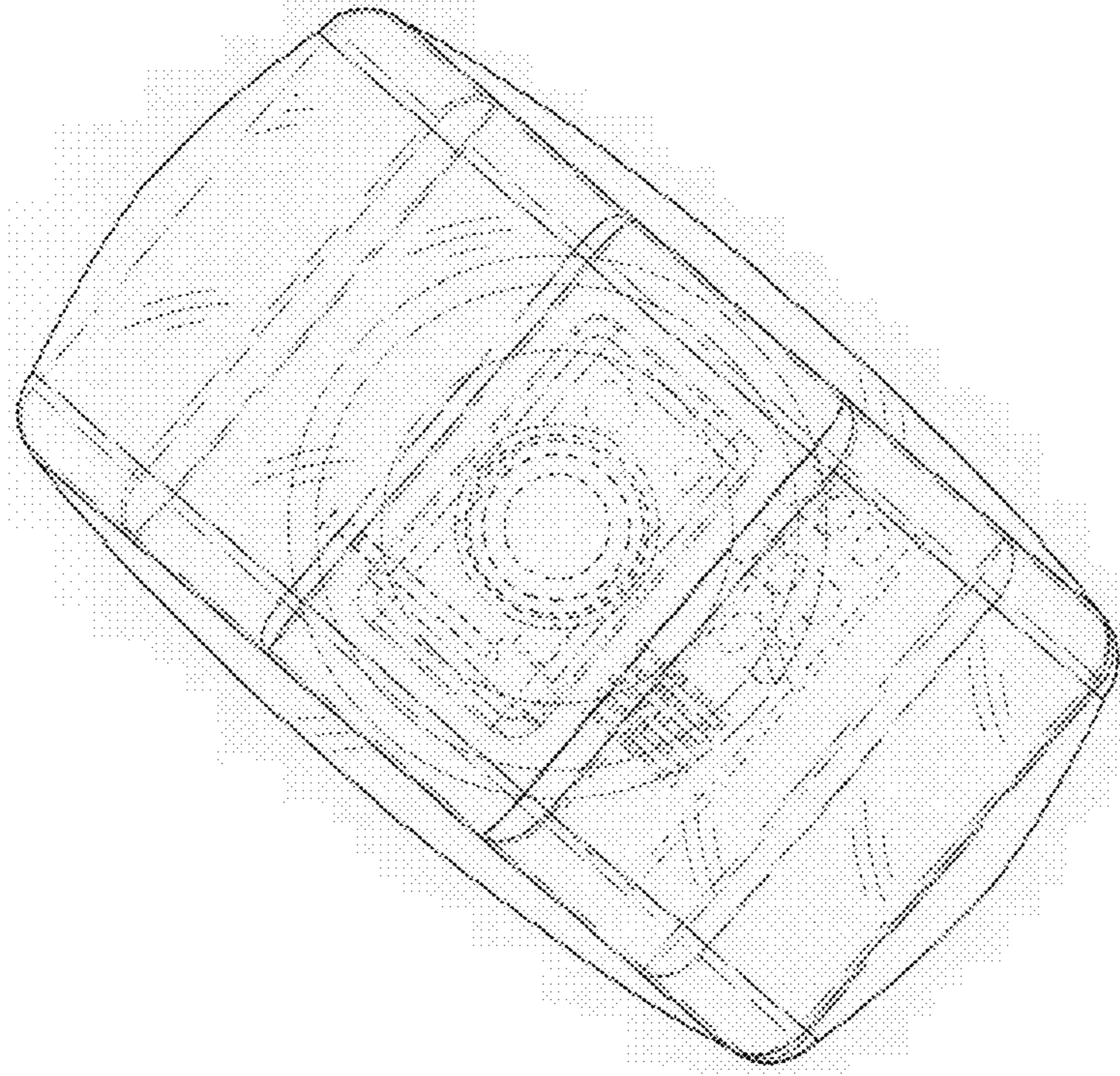


FIG. 8

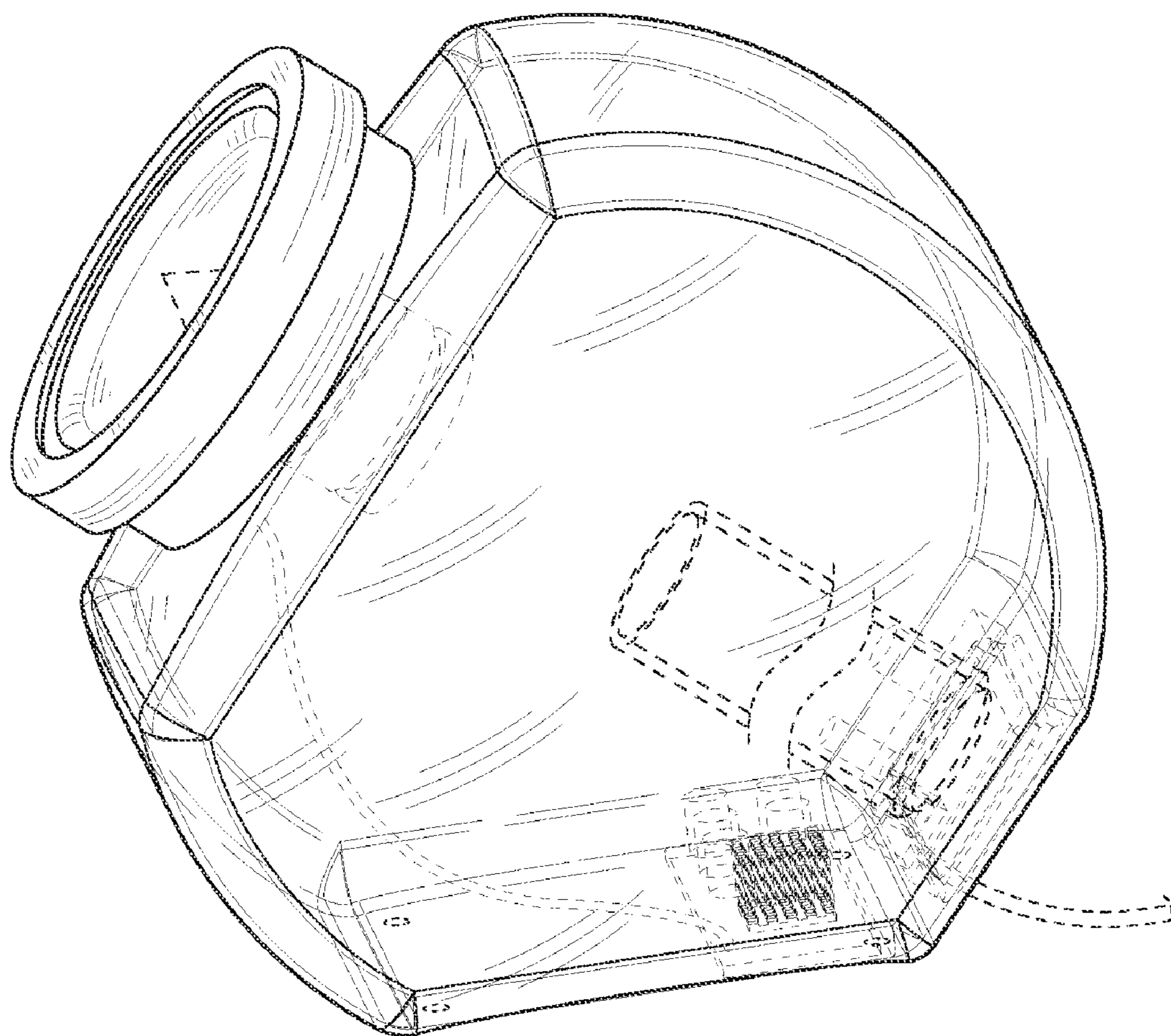


FIG. 9