



US00D633470S

(12) **United States Design Patent**
Andre et al.

(10) **Patent No.:** **US D633,470 S**
(45) **Date of Patent:** **** Mar. 1, 2011**

(54) **MEDIA PLAYER**

(75) Inventors: **Bartley K. Andre**, Menlo Park, CA (US); **Daniel J. Coster**, San Francisco, CA (US); **Daniele De Iuliis**, San Francisco, CA (US); **Richard P. Howarth**, San Francisco, CA (US); **Jonathan P. Ive**, San Francisco, CA (US); **Steve Jobs**, Palo Alto, CA (US); **Duncan Robert Kerr**, San Francisco, CA (US); **Matthew Dean Rohrbach**, San Francisco, CA (US); **Douglas B. Satzger**, Menlo Park, CA (US); **Calvin Q. Seid**, Palo Alto, CA (US); **Vincent Keane Seid**, legal representative, Los Gatos, CA (US); **Christopher J. Stringer**, Woodside, CA (US); **Eugene Antony Whang**, San Francisco, CA (US)

(73) Assignee: **Apple Inc.**, Cupertino, CA (US)

(**) Term: **14 Years**

(21) Appl. No.: **29/368,362**

(22) Filed: **Aug. 23, 2010**

Related U.S. Application Data

(63) Continuation of application No. 29/353,204, filed on Jan. 5, 2010, now Pat. No. Des. 622,261, which is a continuation of application No. 29/333,540, filed on Mar. 11, 2009, now Pat. No. Des. 610,126, which is a continuation of application No. 11/882,003, filed on Jul. 30, 2007, which is a continuation of application No. 11/806,957, filed on Jun. 5, 2007, now Pat. No. 7,333,092, which is a continuation of application No. 11/386,238, filed on Mar. 21, 2006, now Pat. No. 7,348,967, which is a continuation of application No. 10/188,182, filed on Jul. 1, 2002, now Pat. No. 7,046,230.

(51) **LOC (9) Cl.** **14-03**

(52) **U.S. Cl.** **D14/203.7; D14/203.3; D14/496**

(58) **Field of Classification Search** **D14/496, D14/401, 435, 474, 483, 217, 137, 138, 160, D14/168, 356, 203.1–203.8, 507; 345/156, 345/169, 173–179, 905; 715/727–729, 864; 710/1, 5, 8; 713/1, 600; 455/1.1, 1.7, 73, 455/344–347, 93, 95, 3.01–3.06, 550.1, 573.1; 370/342–344; 369/1, 2, 6–12; 463/43–47; 273/148 B**

See application file for complete search history.

(56) **References Cited**

U.S. PATENT DOCUMENTS

D425,885 S 5/2000 Amron

(Continued)

Primary Examiner—Prabhakar Deshmukh

(74) *Attorney, Agent, or Firm*—Sterne, Kessler, Goldstein & Fox PLLC

(57) **CLAIM**

The ornamental design for a media player, as shown and described.

DESCRIPTION

FIG. 1 is a front perspective view of a media player showing our new design;

FIG. 2 is a front view thereof;

FIG. 3 is a left side view thereof;

FIG. 4 is a right side view thereof;

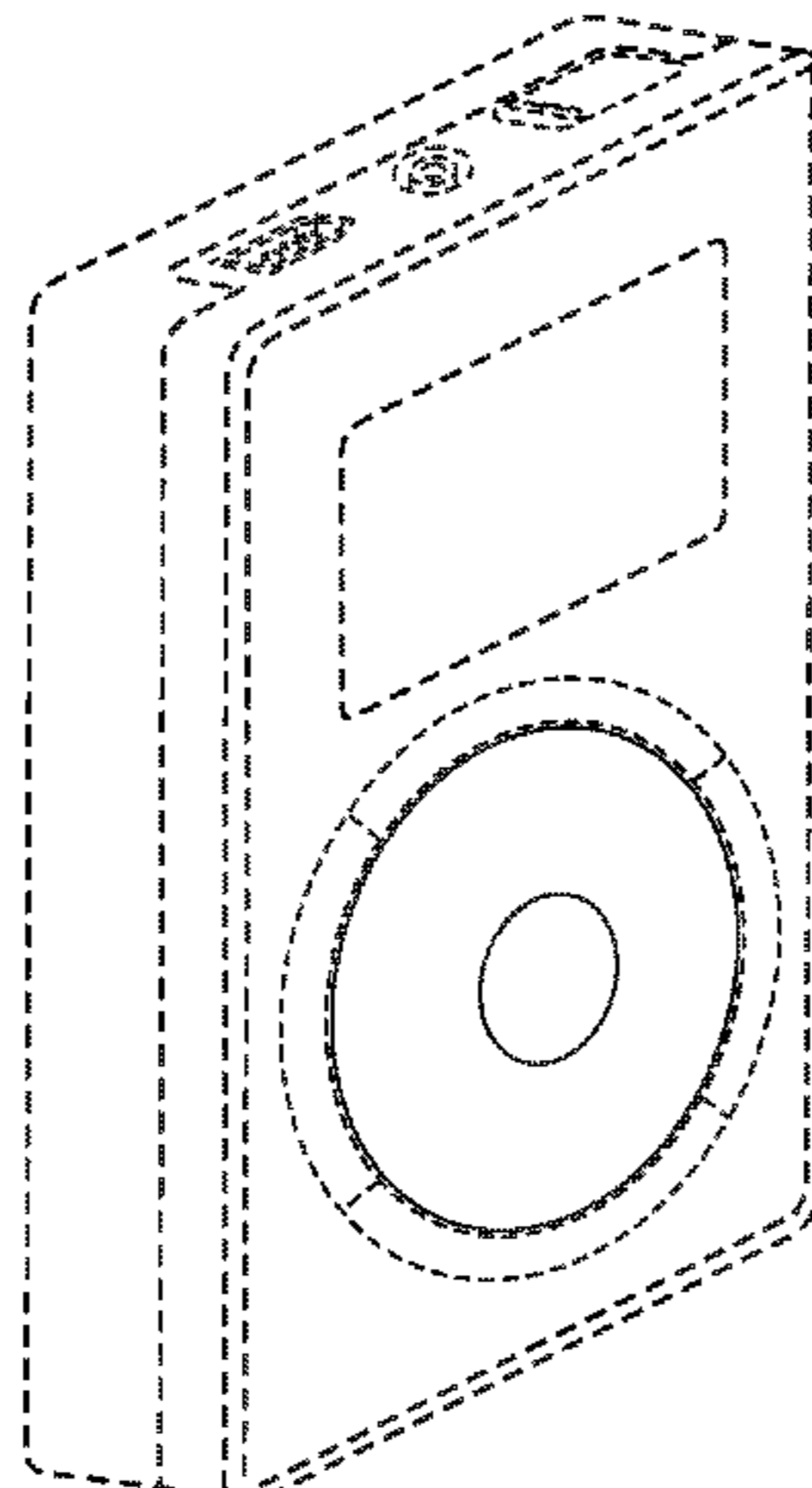
FIG. 5 is a bottom view thereof;

FIG. 6 is a top view thereof; and,

FIG. 7 is a rear view thereof.

The broken lines in the Figures show portions of the media device which form no part of the claimed design.

1 Claim, 5 Drawing Sheets



US D633,470 S

Page 2

U.S. PATENT DOCUMENTS						
			D527,015	S *	8/2006	Yang D14/203.7
			D532,425	S *	11/2006	Kim D14/203.7
			D538,822	S *	3/2007	Andre et al. D14/203.7
6,591,085	B1	7/2003	Grady			
6,593,914	B1 *	7/2003	Nuovo et al.	345/169	2004/0224638	A1 11/2004 Fadell et al.
D489,052	S	4/2004	Shiraki et al.			
D516,576	S *	3/2006	Ive et al.	D14/203.7		* cited by examiner

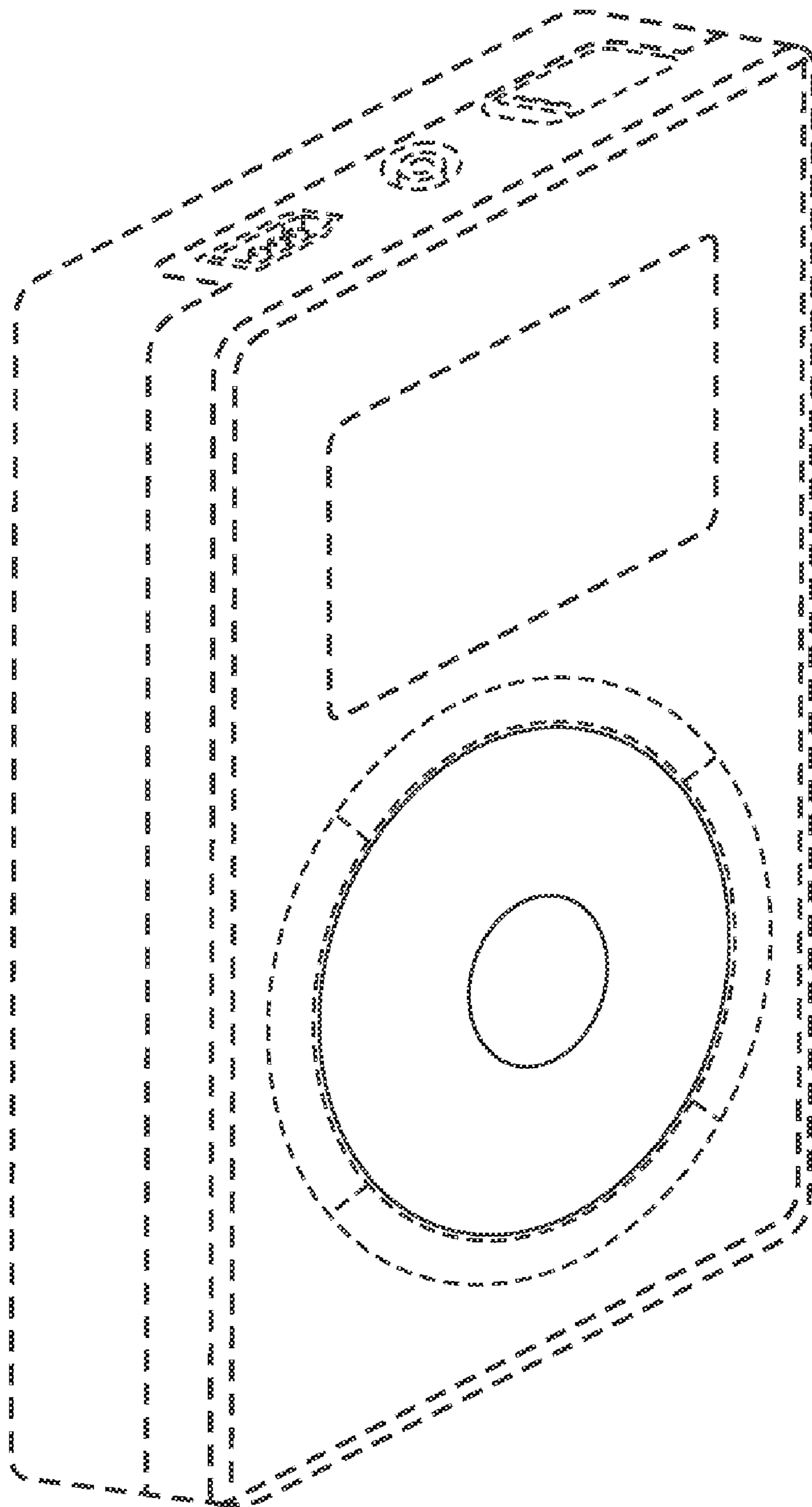


FIG. 1

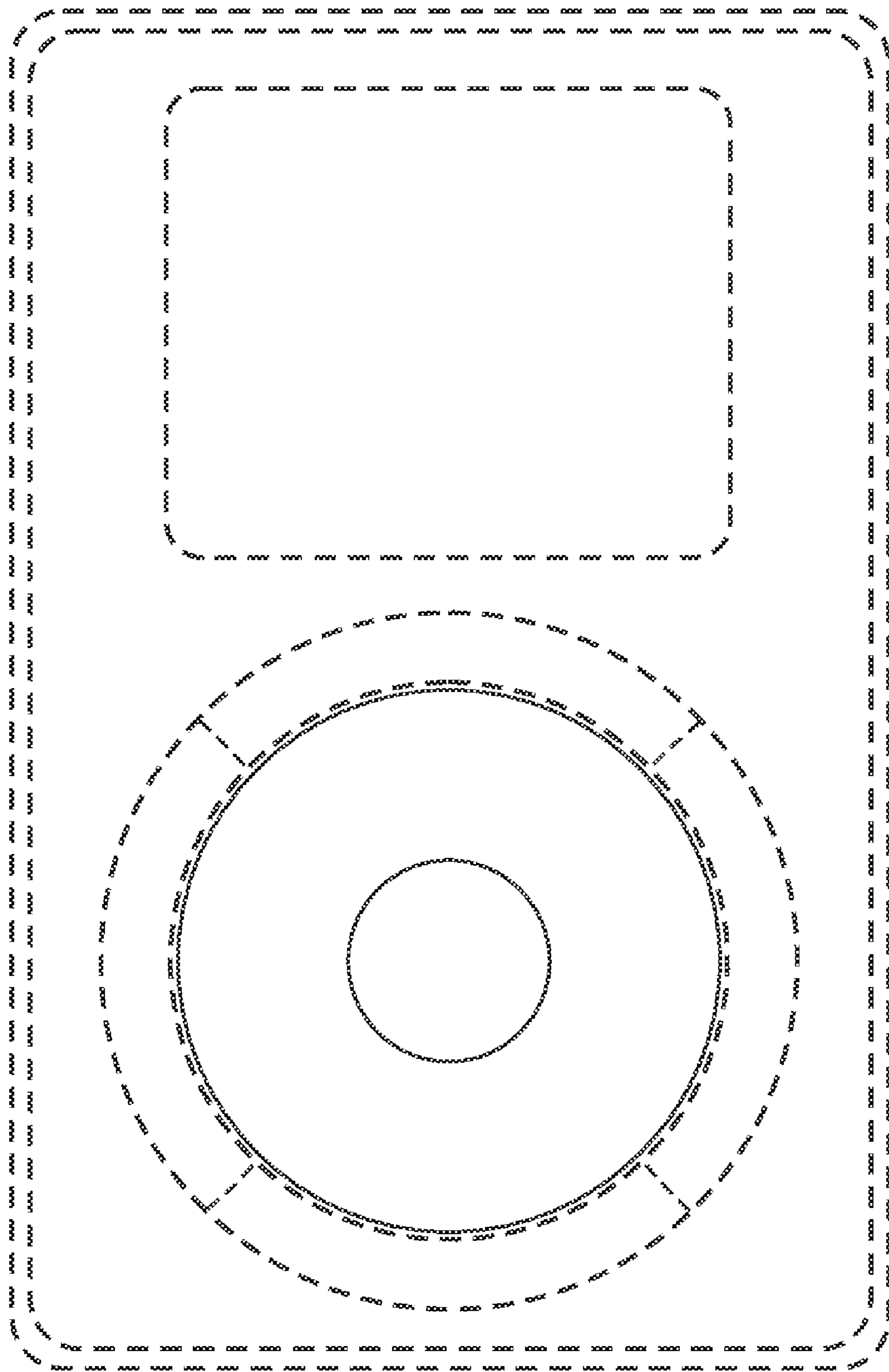


FIG. 2



FIG. 3

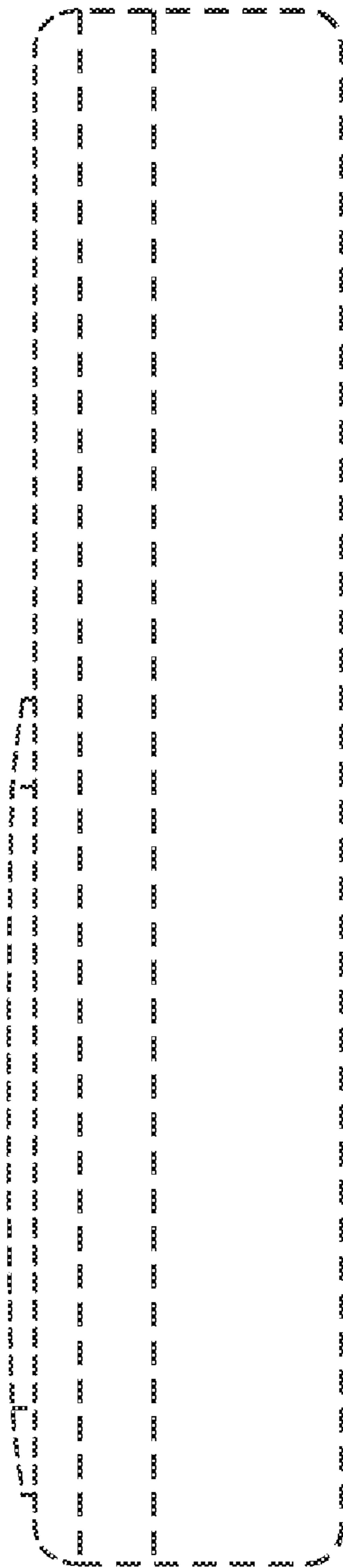


FIG. 4

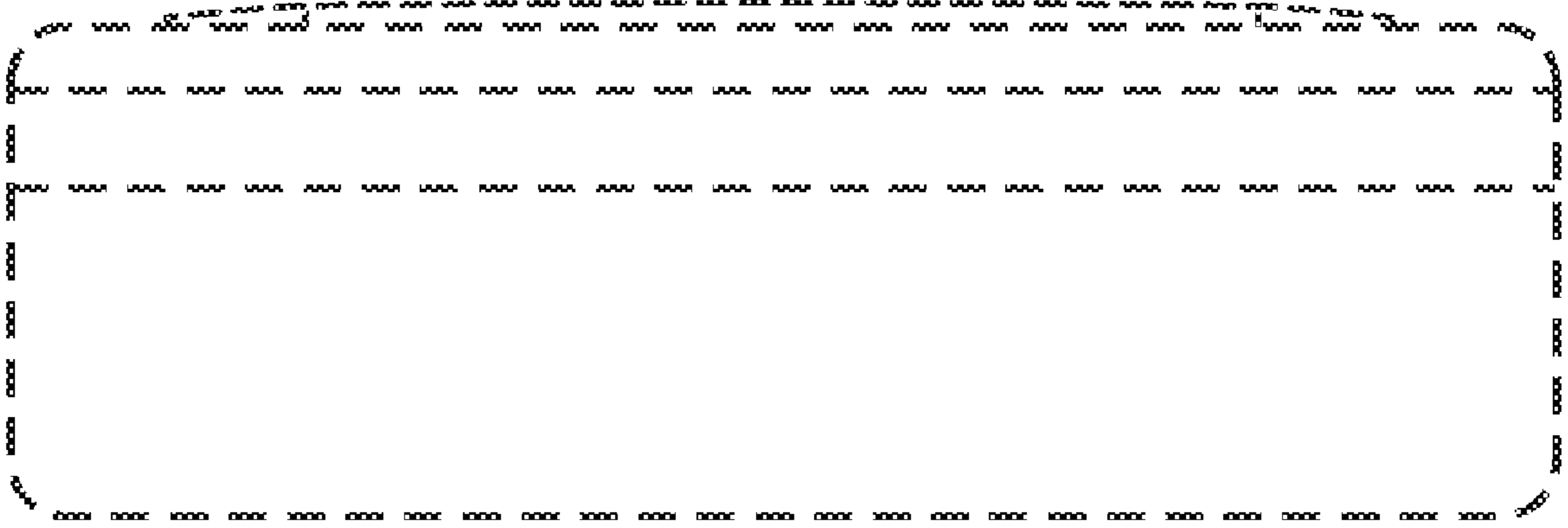


FIG. 5

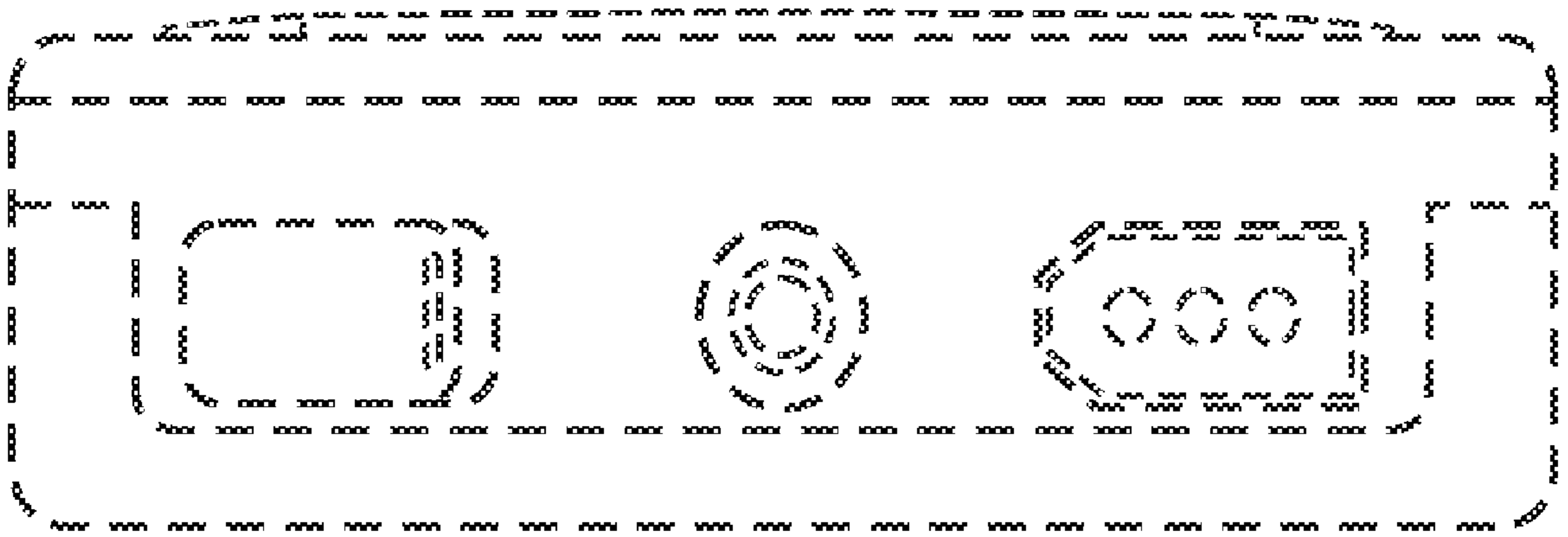


FIG. 6

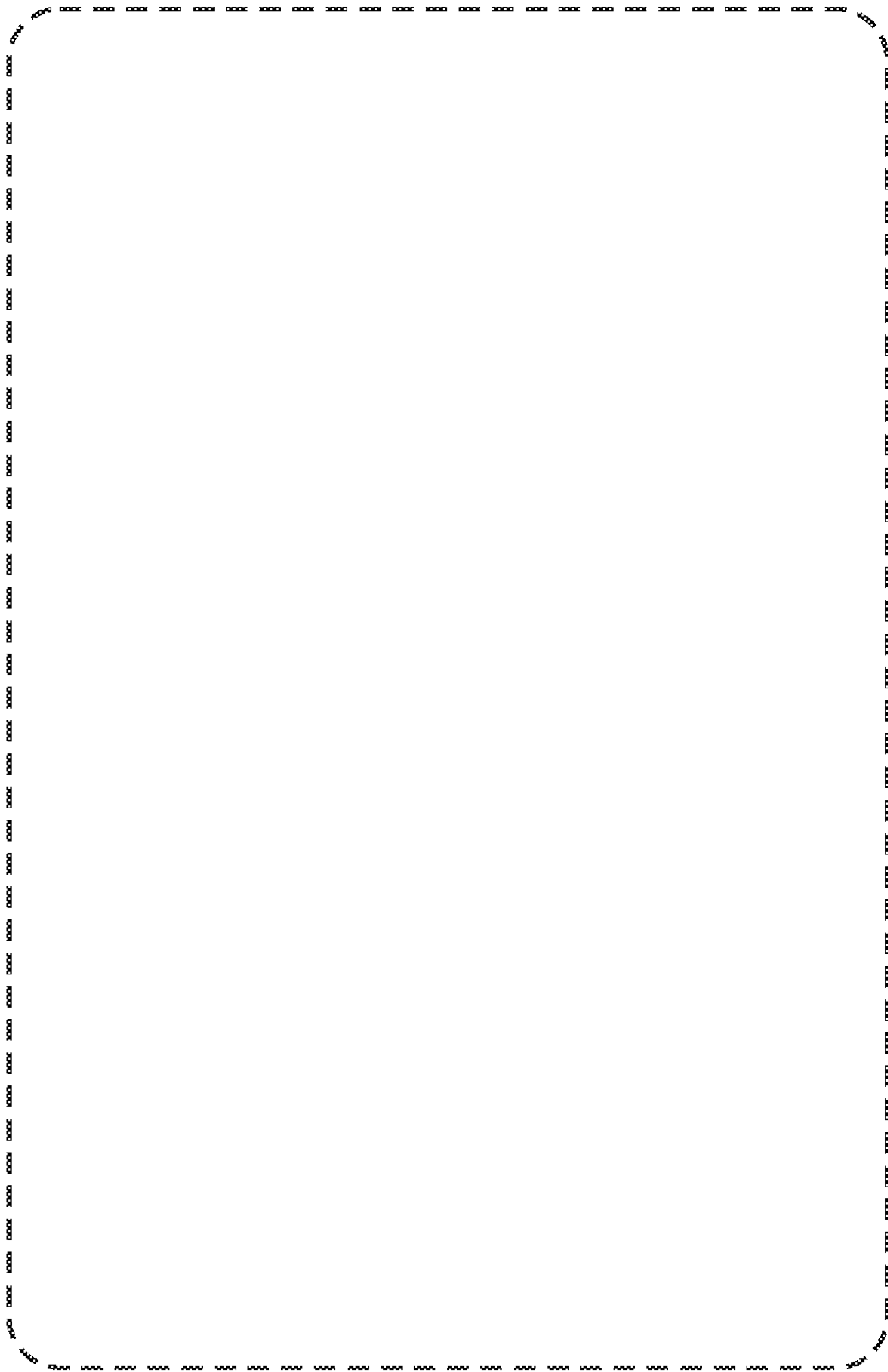


FIG. 7