



US00D633464S

(12) **United States Design Patent**
Park et al.

(10) **Patent No.:** **US D633,464 S**
(45) **Date of Patent:** **** Mar. 1, 2011**

(54) **MOBILE PHONE**

(75) Inventors: **Jun-Sang Park**, Anyang-si (KR);
Sang-Min Hyun, Seoul (KR);
Seog-Guen Kim, Seoul (KR)

(73) Assignee: **Samsung Electronics Co., Ltd.**,
Suwon-Si (KR)

(**) Term: **14 Years**

(21) Appl. No.: **29/362,483**

(22) Filed: **May 26, 2010**

(30) **Foreign Application Priority Data**

Jan. 8, 2010 (KR) 30-2010-0000675

(51) **LOC (9) Cl.** **14-03**

(52) **U.S. Cl.** **D14/138 AD**

(58) **Field of Classification Search** D14/138 R,
D14/138 AD, 138 AC, 138 C, 138 G, 191,
D14/203.1–203.8, 496, 138 AA, 138 AB,
D14/137, 147, 218, 341–347, 247–248; D10/65,
D10/78, 104; D13/168; D18/7; 455/566,
455/575.1, 575.3, 575.4

See application file for complete search history.

(56) **References Cited**

U.S. PATENT DOCUMENTS

D509,833 S * 9/2005 Yang D14/496
D533,530 S * 12/2006 Kim et al. D14/138 AC
D550,188 S * 9/2007 Lee et al. D14/138 AD
D552,574 S * 10/2007 Moss D14/138 AB
D554,096 S * 10/2007 Cho et al. D14/138 AD
D555,135 S * 11/2007 Chung et al. D14/138 AD
D555,622 S * 11/2007 Chung et al. D14/138 AD
D559,819 S * 1/2008 Kim et al. D14/138 AD
D560,190 S * 1/2008 Lee et al. D14/138 AD
D560,191 S * 1/2008 Choi et al. D14/138 AD
D561,512 S * 2/2008 Park et al. D14/138 AD
D562,280 S * 2/2008 Kim et al. D14/138 AD

D565,016 S * 3/2008 Kwon et al. D14/138 AD
D576,596 S * 9/2008 Moon et al. D14/138 AD
D579,899 S * 11/2008 Park et al. D14/138 AD
D587,234 S * 2/2009 Kim et al. D14/138 AD
D604,260 S * 11/2009 Choi et al. D14/138 AD
D611,448 S * 3/2010 Kim et al. D14/138 AD

(Continued)

OTHER PUBLICATIONS

BenQ U700, announced 1st quarter 2005, [online], [retrieved on Feb. 20, 2007]. Retrieved from Internet ,<URL: <http://www.gsmarena.com>>.*

Primary Examiner—Bridget L Eland

(74) *Attorney, Agent, or Firm*—Staas & Halsey LLP

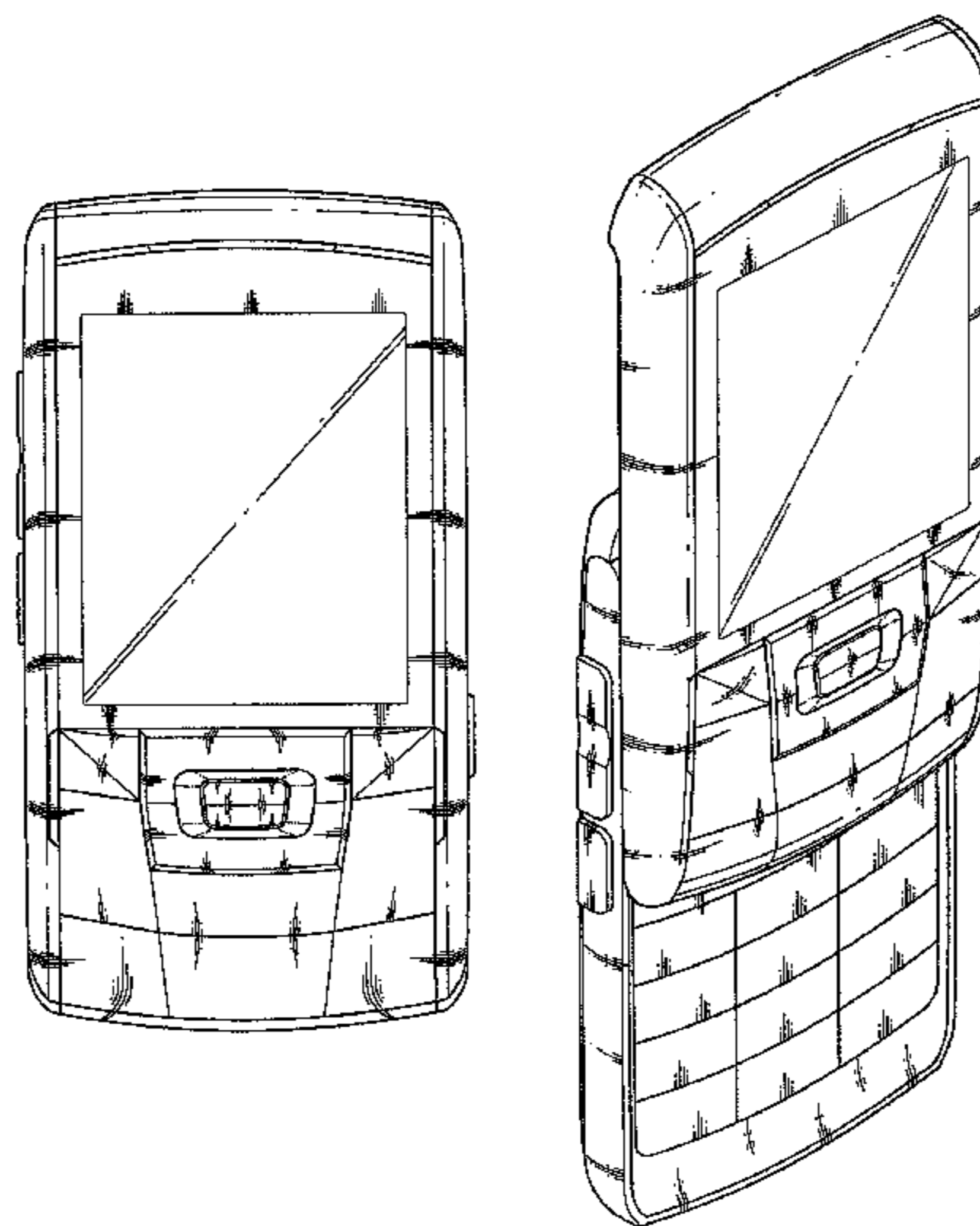
(57) **CLAIM**

The ornamental design for a mobile phone, as shown and described.

DESCRIPTION

FIG. 1 is a front perspective view of a mobile phone;
FIG. 2 is a front view of the mobile phone of FIG. 1;
FIG. 3 is a rear view of the mobile phone of FIG. 1;
FIG. 4 is a left-side view of the mobile phone of FIG. 1;
FIG. 5 is a right-side view of the mobile phone of FIG. 1;
FIG. 6 is a top plan view of the mobile phone of FIG. 1;
FIG. 7 is a bottom plan view of the mobile phone of FIG. 1;
and,
FIG. 8 is an open front perspective view of the mobile phone of FIG. 1.

1 Claim, 5 Drawing Sheets



US D633,464 S

Page 2

U.S. PATENT DOCUMENTS

2001/0009847	A1*	7/2001	Kim et al.	455/90			
2005/0250532	A1*	11/2005	Hwang et al.	455/550.1			
					2005/0255897	A1*	11/2005 Lee et al. 455/575.4
					2005/0277439	A1*	12/2005 Brelo et al. 455/556.2

* cited by examiner

FIG. 1

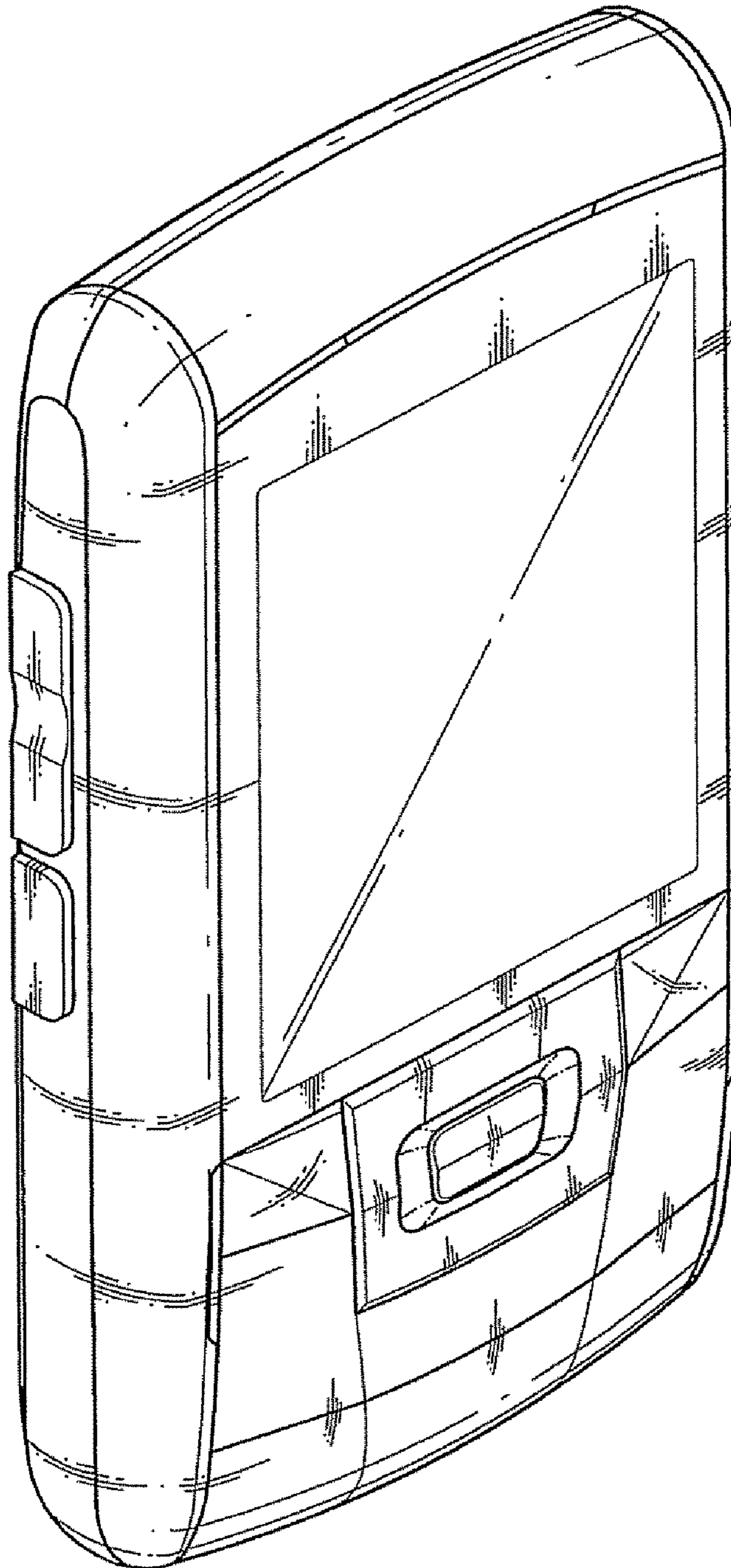


FIG.2

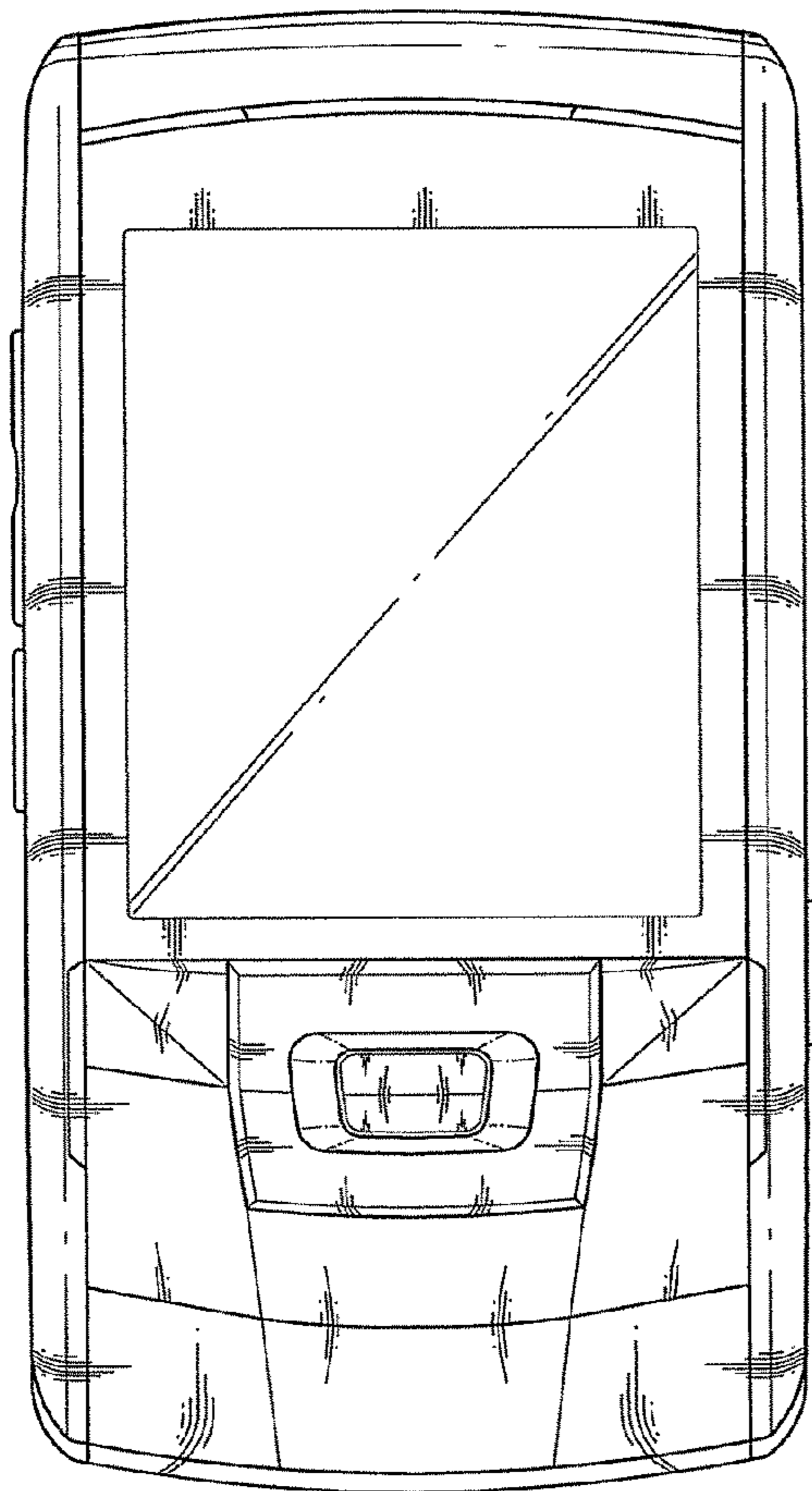


FIG.3

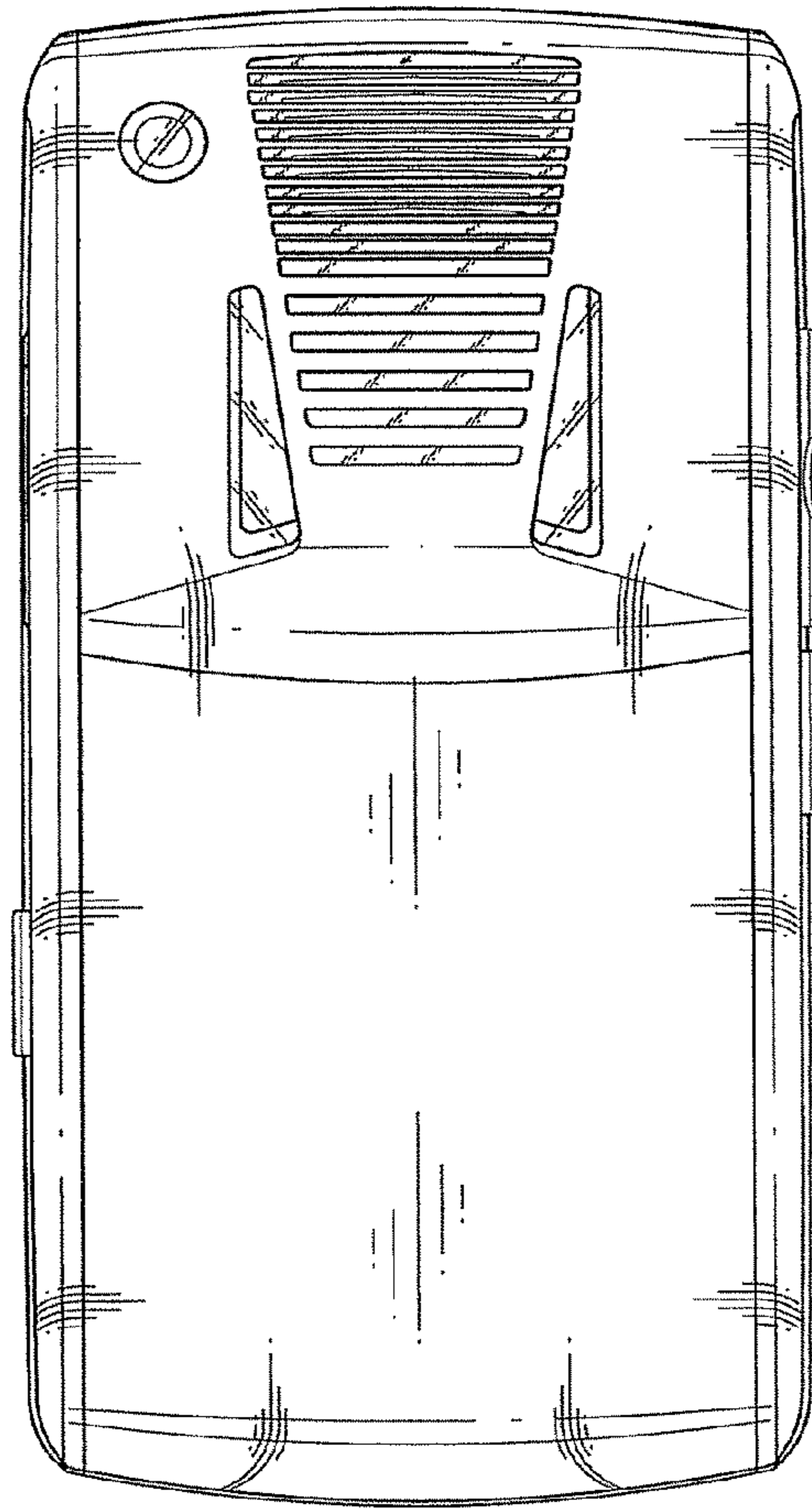


FIG.4

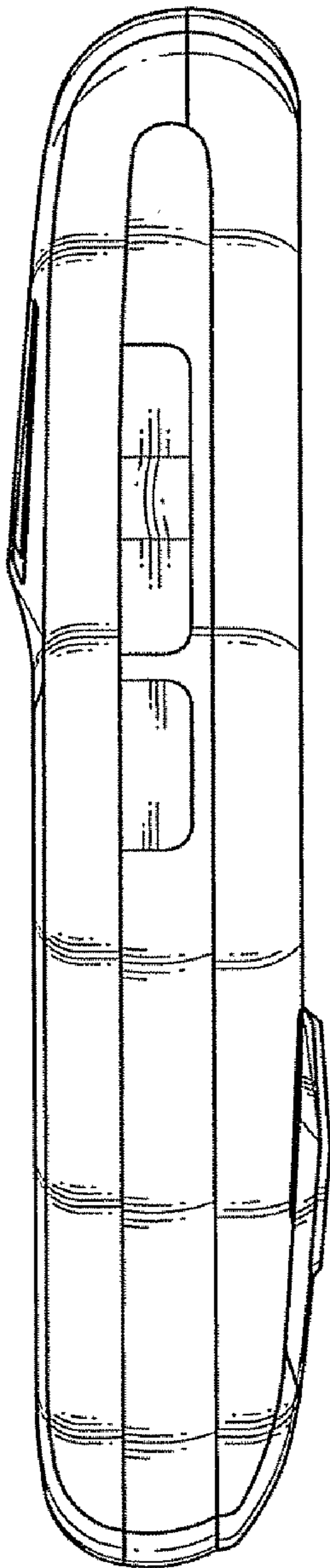


FIG.5

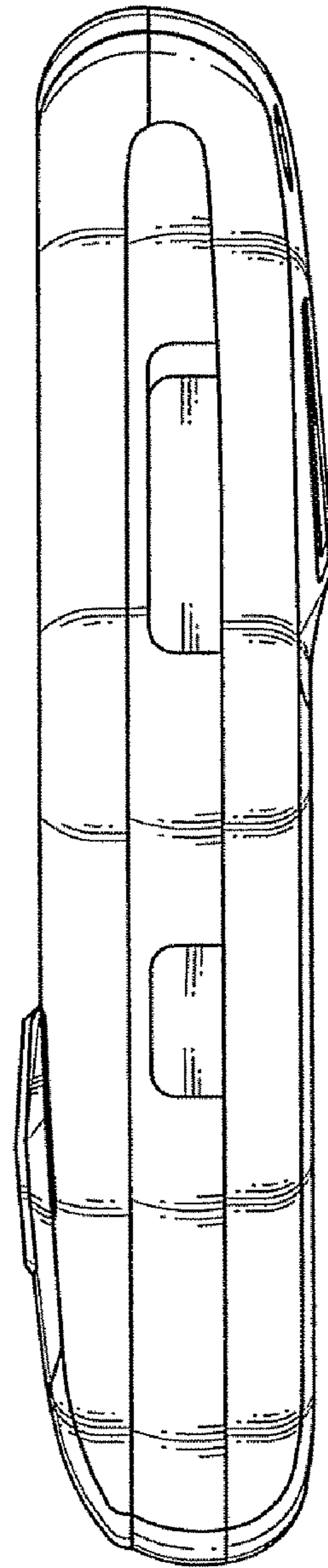


FIG. 6

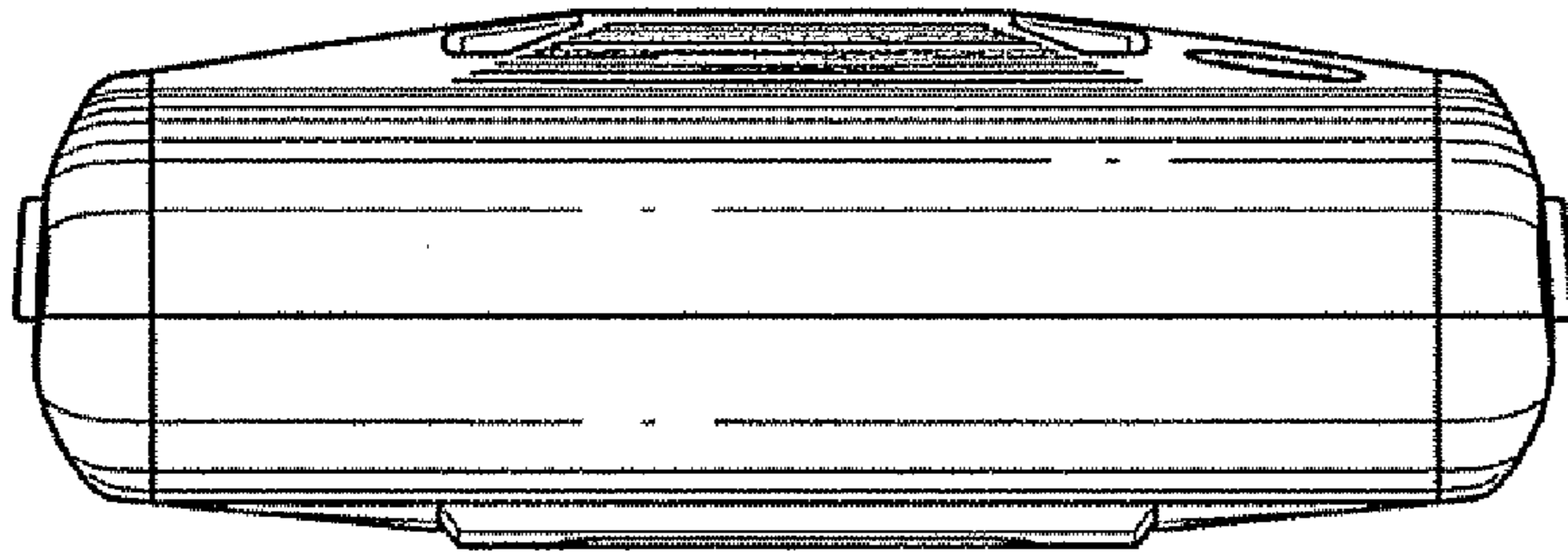


FIG. 7

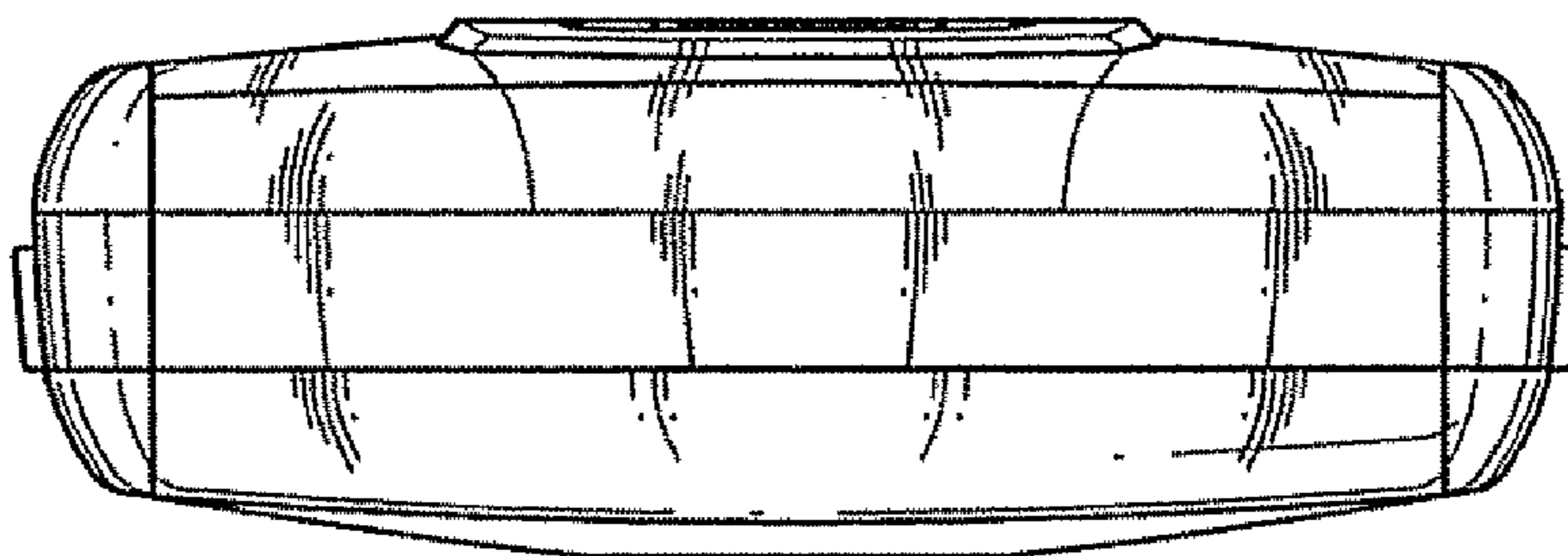


FIG.8

