



US00D633458S

(12) **United States Design Patent**
Jinkinson et al.

(10) **Patent No.:** **US D633,458 S**
(45) **Date of Patent:** **** Mar. 1, 2011**

(54) **COMMUNICATION DEVICE**

(75) Inventors: **Nick A. Jinkinson**, Reading (GB); **Won Suk Chung**, Chicago, IL (US); **Dickon Isaacs**, Chicago, IL (US)

(73) Assignee: **Motorola Mobility, Inc.**, Libertyville, IL (US)

(**) Term: **14 Years**

(21) Appl. No.: **29/346,416**

(22) Filed: **Oct. 30, 2009**

(51) **LOC (9) Cl.** **14-03**

(52) **U.S. Cl.** **D14/138 AA**

(58) **Field of Classification Search** D14/138 AA,
D14/496, 341, 345, 346, 203.3, 203.4, 203.7,
D14/138 AD, 138 R; 455/575.1, 556.2; D21/517;
379/433.01, 433.04

See application file for complete search history.

(56) **References Cited**

U.S. PATENT DOCUMENTS

D529,024 S 9/2006 Daw et al.
D529,909 S 10/2006 Daw et al.

(Continued)

OTHER PUBLICATIONS

Motorola Charm telephone, announced Jul. 2010, [online], [site visited Aug. 17, 2010]. Available from Internet, <URL: <http://www.gsmarena.com>>.*

(Continued)

Primary Examiner—Jeffrey D Asch

(57) **CLAIM**

The ornamental design for a communication device, as shown and described.

DESCRIPTION

FIG. 1 is a front perspective view of a first embodiment of an ornamental design for a communication device;

FIG. 2 is a rear perspective view of the first embodiment thereof;

FIG. 3 is a front view of the first embodiment thereof;

FIG. 4 is a rear view of the first embodiment thereof;

FIG. 5 is a first side view of the first embodiment thereof;

FIG. 6 is a second side view of the first embodiment thereof;

FIG. 7 is a top view of the first embodiment thereof; and

FIG. 8 is a bottom view of the first embodiment thereof.

FIG. 9 is a front perspective view of a second embodiment of an ornamental design for a communication device;

FIG. 10 is a rear perspective view of the second embodiment thereof;

FIG. 11 is a front view of the second embodiment thereof;

FIG. 12 is a rear view of the second embodiment thereof;

FIG. 13 is a first side view of the second embodiment thereof;

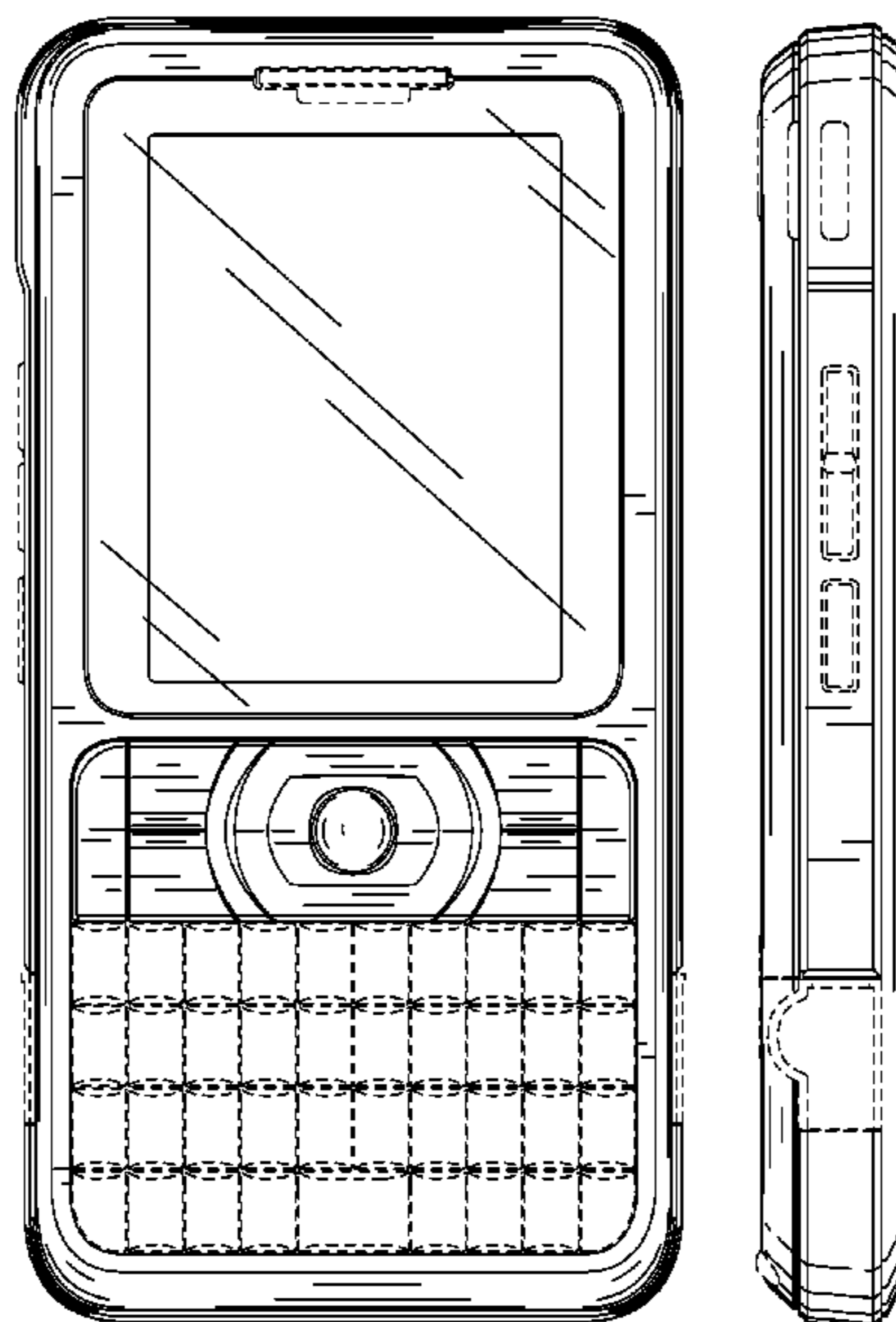
FIG. 14 is a second side view of the second embodiment thereof;

FIG. 15 is a top view of the second embodiment thereof; and,

FIG. 16 is a bottom view of the second embodiment thereof.

The broken lines shown in FIGS. 9-16 that are immediately adjacent to the shaded areas, and define unshaded regions, represent the bounds of the second embodiment, while all other broken lines are directed to environment and are for illustrative purposes only; the broken lines form no part of the second embodiment.

1 Claim, 12 Drawing Sheets



US D633,458 S

Page 2

U.S. PATENT DOCUMENTS

D546,810 S * 7/2007 Kwak D14/138 AA
D548,218 S * 8/2007 Hong et al. D14/138 AA
D555,624 S * 11/2007 Lee et al. D14/138 AA
D562,312 S 2/2008 Hu et al.
D572,697 S * 7/2008 Lee et al. D14/138 AA
D572,700 S * 7/2008 Kwon et al. D14/138 AA
D576,988 S * 9/2008 Kim et al. D14/138 AA
D582,372 S * 12/2008 Lee et al. D14/138 AA
D583,348 S * 12/2008 Lee et al. D14/138 AA
D598,887 S * 8/2009 Xiao et al. D14/138 AA
D600,231 S * 9/2009 Lee et al. D14/138 AA
D601,528 S * 10/2009 Lim et al. D14/138 AA
D601,540 S * 10/2009 Kim et al. D14/138 AA
D601,987 S * 10/2009 Park et al. D14/138 AA
D608,328 S * 1/2010 Nilsen et al. D14/138 AA
D609,678 S * 2/2010 Ham D14/138 AA
D610,117 S * 2/2010 Kim et al. D14/138 AA
D611,922 S * 3/2010 Yoshihara D14/138 AA
D612,349 S * 3/2010 Lee D14/138 AA
D614,159 S * 4/2010 Lee et al. D14/138 AA
D615,058 S * 5/2010 Lee et al. D14/138 AA
D615,540 S * 5/2010 Lan et al. D14/345
D622,251 S * 8/2010 Kim et al. D14/138 AA
2008/0090608 A1* 4/2008 Kim et al. 455/556.1

2009/0203398 A1* 8/2009 Griffin 455/556.1

OTHER PUBLICATIONS

Micromax Q7 telephone, announced May 2010, [online], [site visited Aug. 17, 2010]. Available from Internet, <URL: <http://www.gsmarena.com>>.*
Vodafone 546 telephone, announced Apr. 2010, [online], [site visited Aug. 17, 2010]. Available from Internet, <URL: <http://www.gsmarena.com>>.*
Nte E N72 telephone, announced Aug. 2010, [online], [site visited Aug. 17, 2010]. Available from Internet, <URL: <http://www.gsmarena.com>>.*
HP iPAQ 910c telephone, announced Sep. 2007, [online], [site visited Aug. 17, 2010]. Available from Internet, <URL: <http://www.gsmarena.com>>.*
Gigabyte GSmart q60 telephone, announced Feb. 2007, [online], [site visited Aug. 17, 2010]. Available from Internet, <URL: <http://www.gsmarena.com>>.*
Sony Ericsson Aspen telephone, announced Feb. 2010, [online], [site visited Aug. 17, 2010]. Available from Internet, <URL: <http://www.gsmarena.com>>.*
Samsung A257 Magnet telephone, announced Mar. 2009, [online], [site visited Aug. 17, 2010]. Available from Internet, <URL: <http://www.gsmarena.com>>.*
U.S. Appl. No. 29/332,946, filed Feb. 27, 2009, in the name of Ryan Nilsen, et al, entitled "Communication Device".
U.S. Appl. No. 29/324,810, filed Sep. 22, 2008, in the name of Yiting Hu, et al, entitled "Communication Device".

* cited by examiner

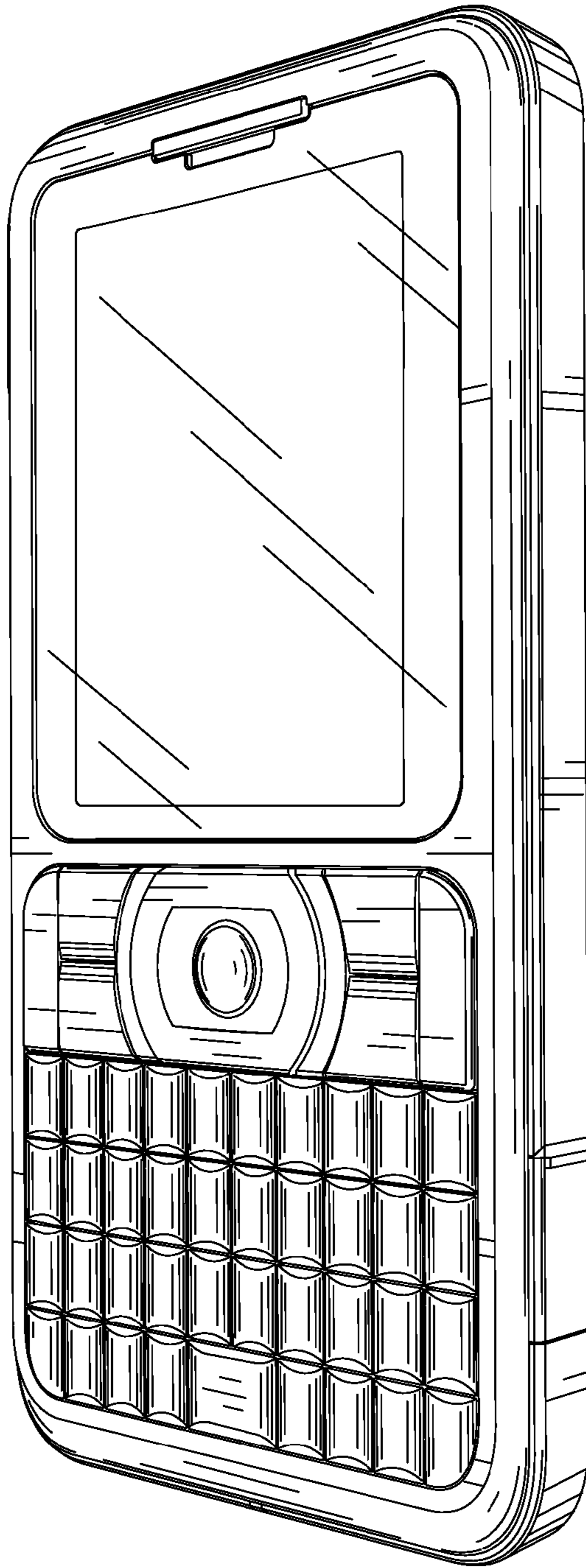


FIG. 1

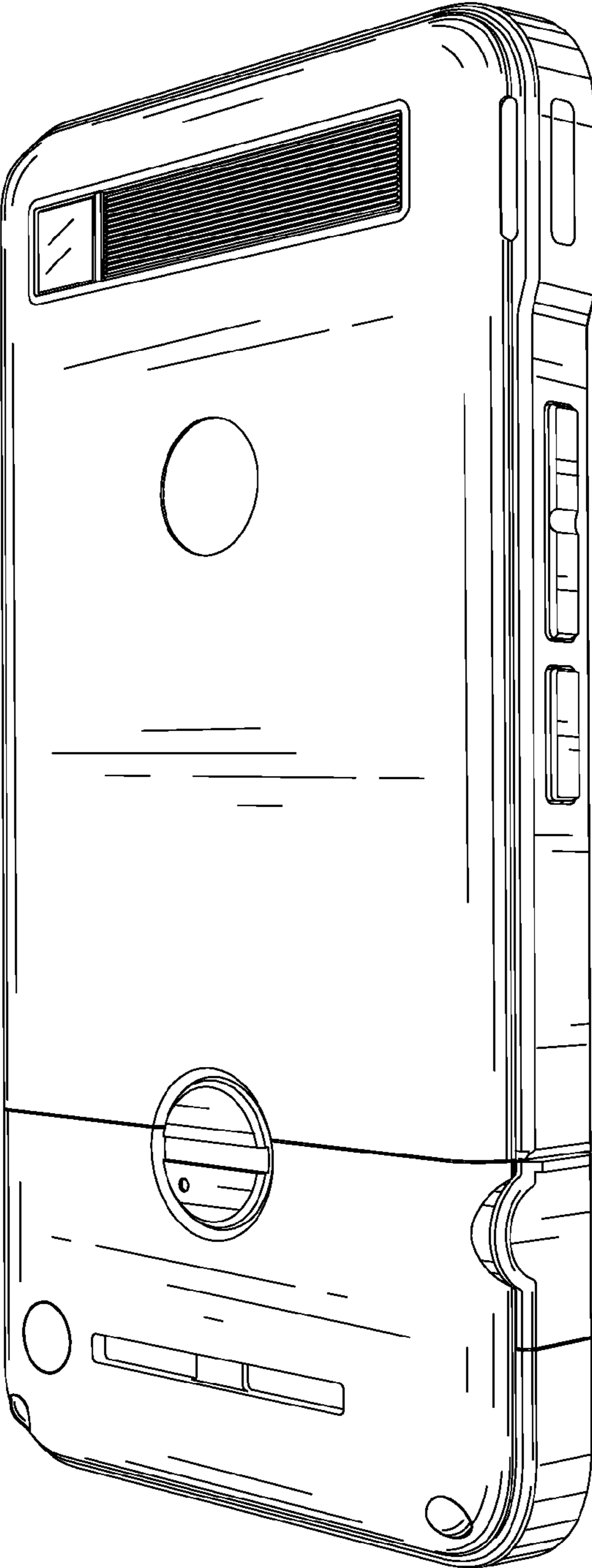


FIG. 2

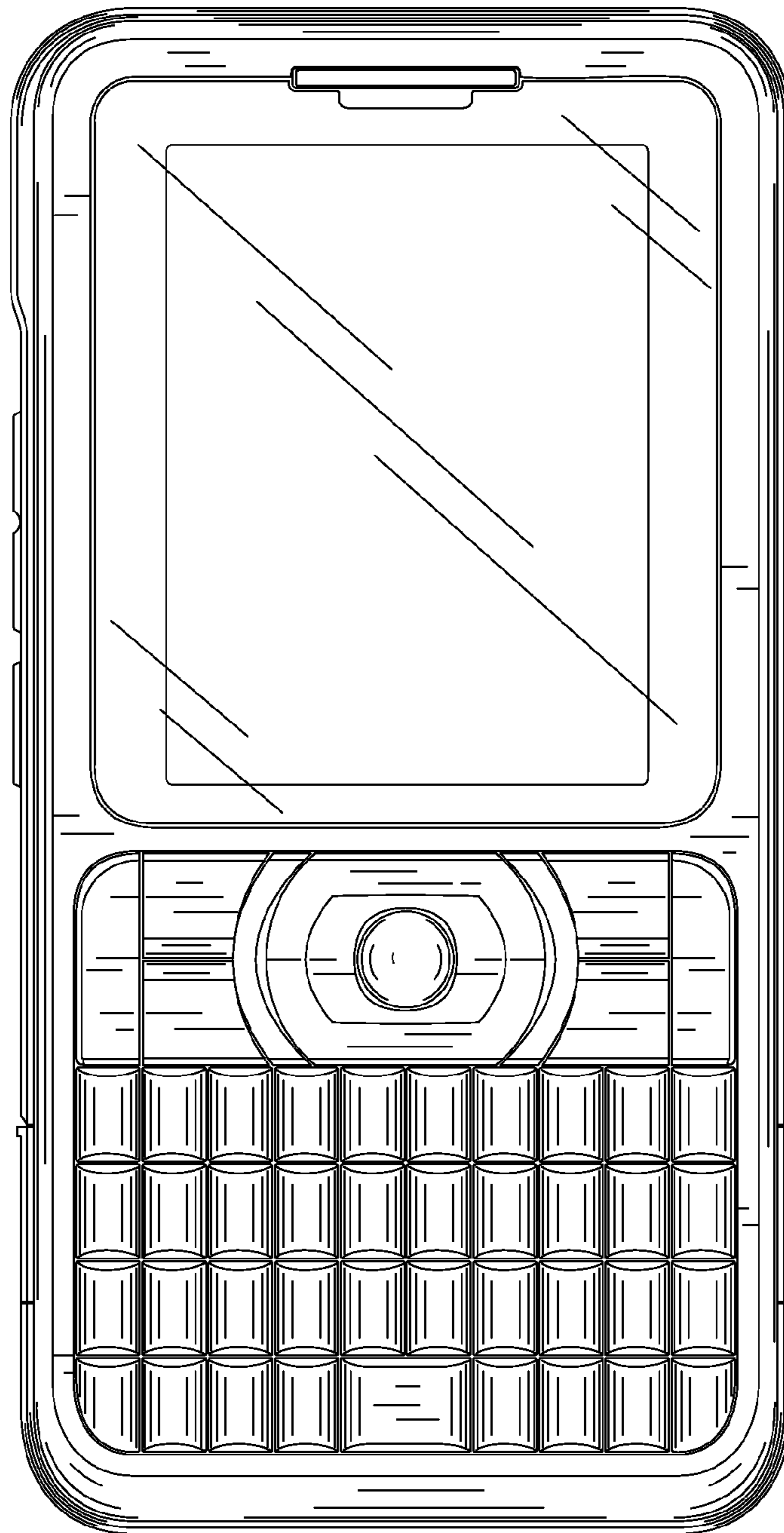


FIG. 3

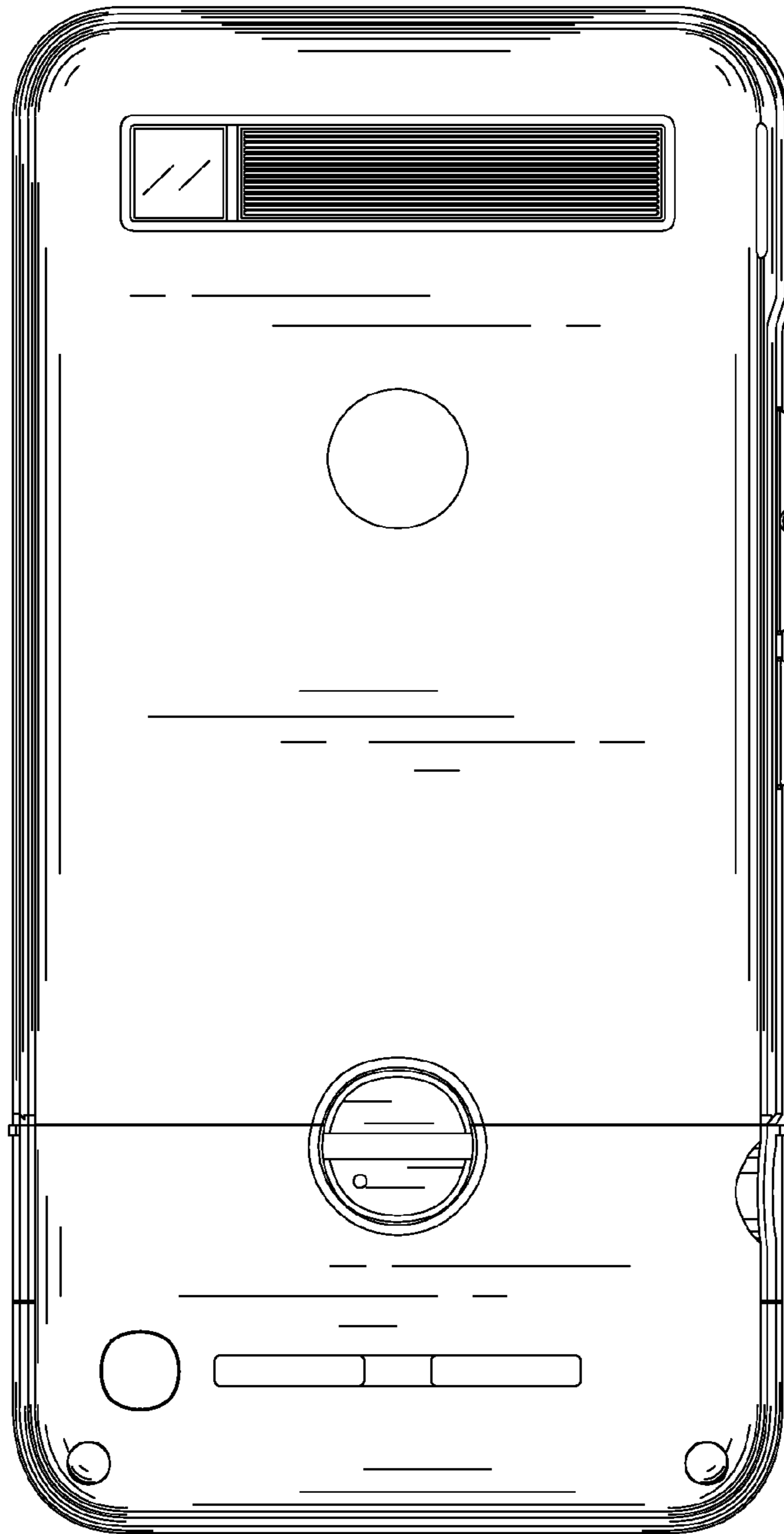


FIG. 4

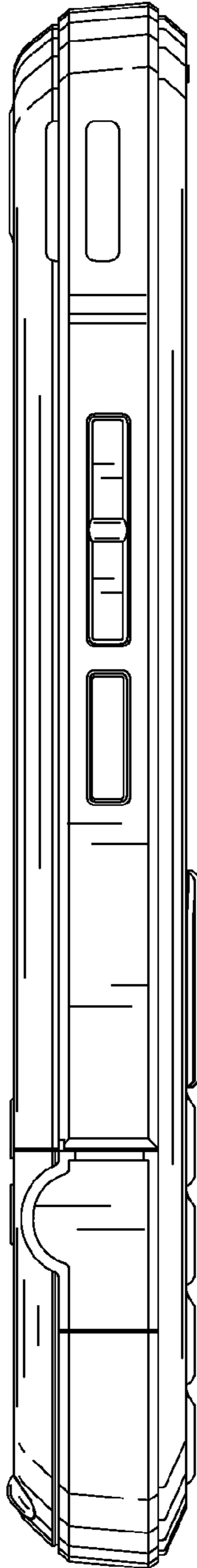


FIG. 5

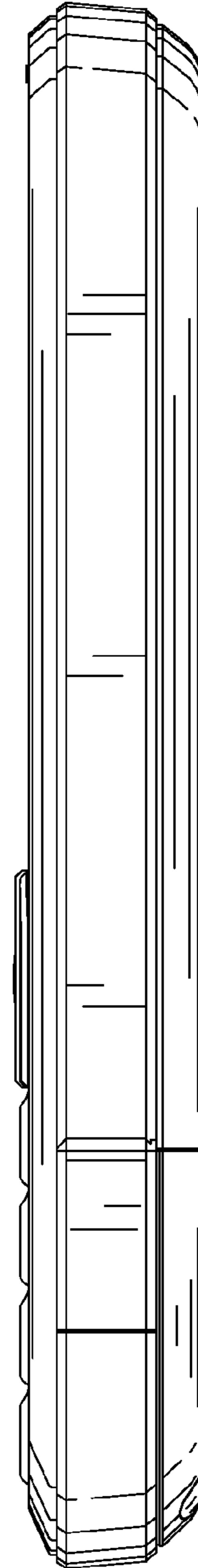


FIG. 6

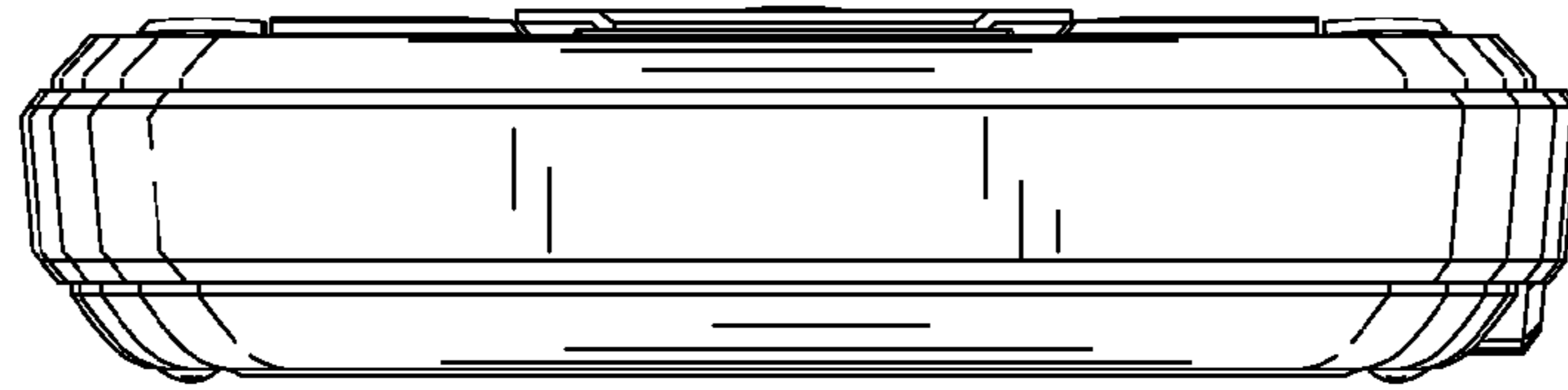


FIG. 7

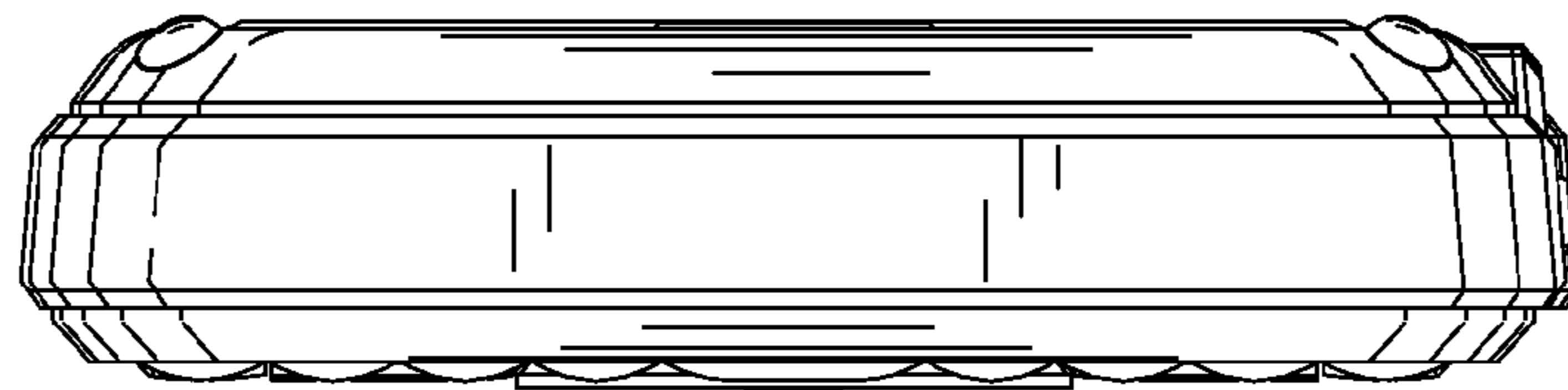


FIG. 8

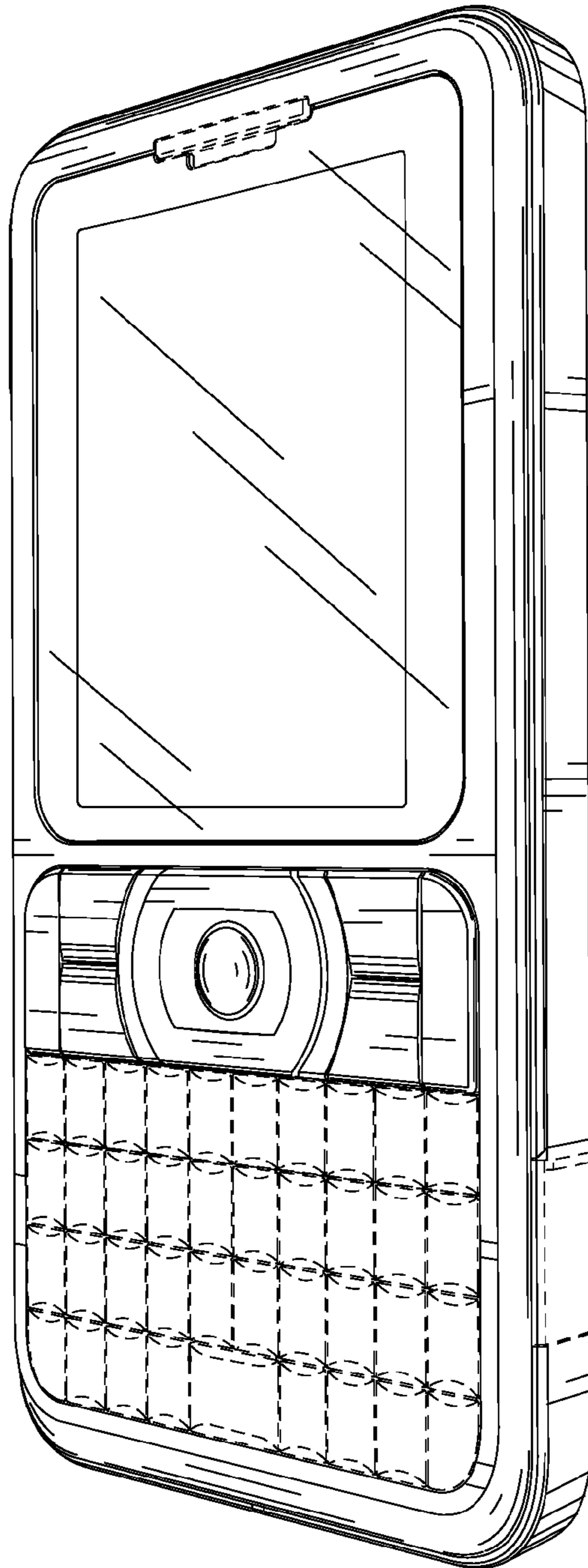


FIG. 9

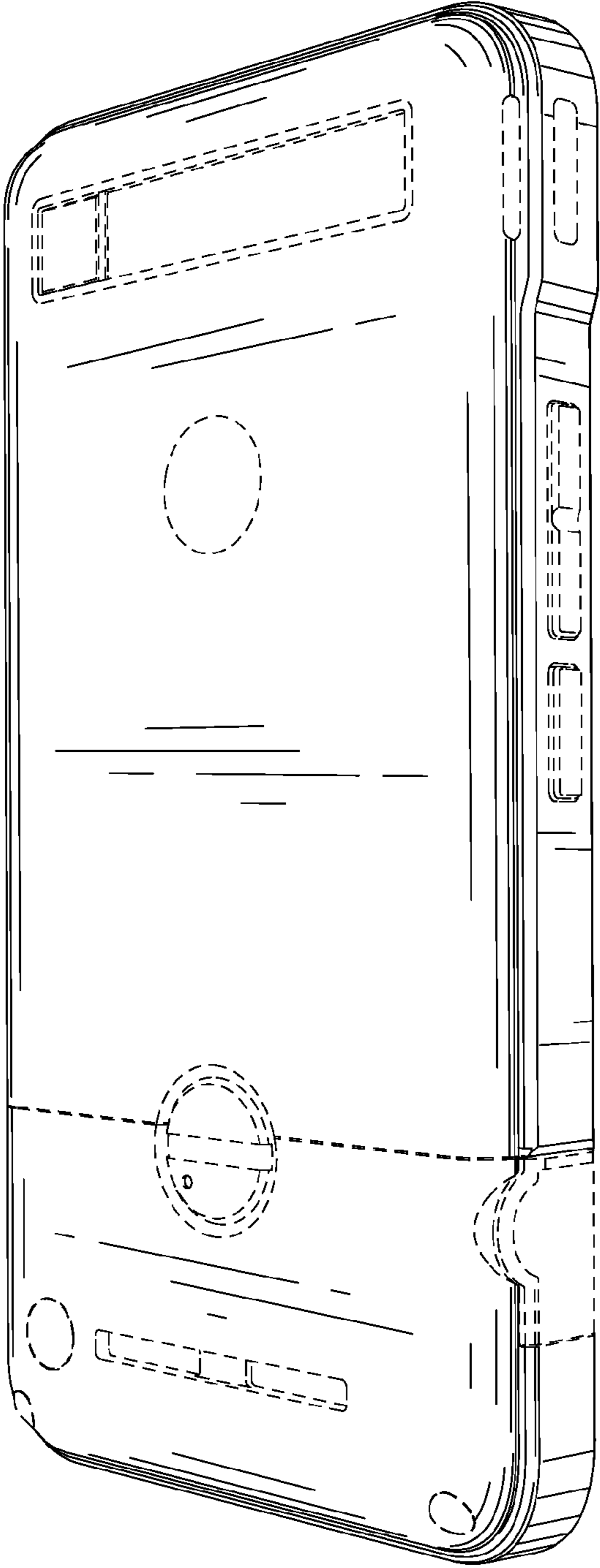


FIG. 10

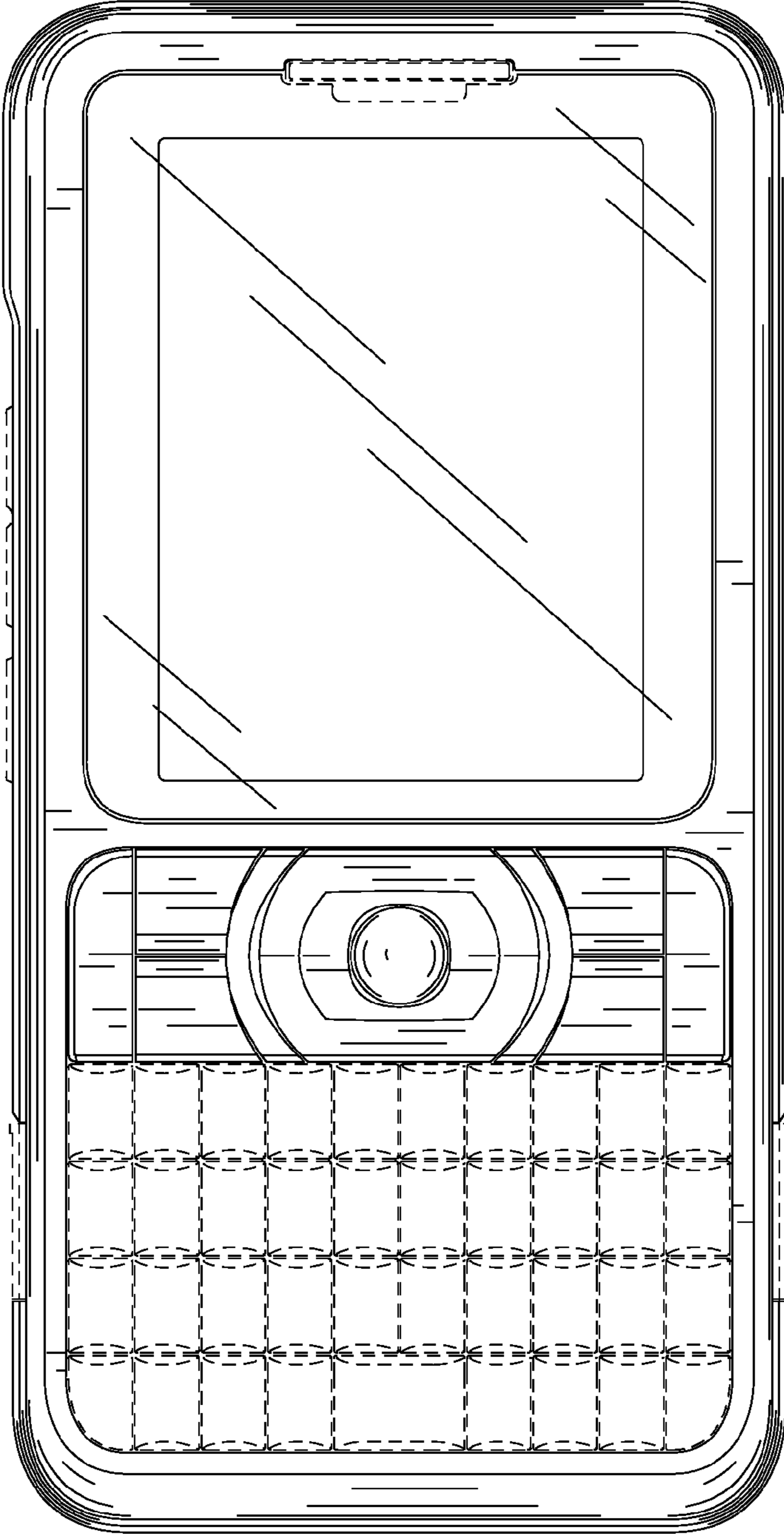


FIG. 11

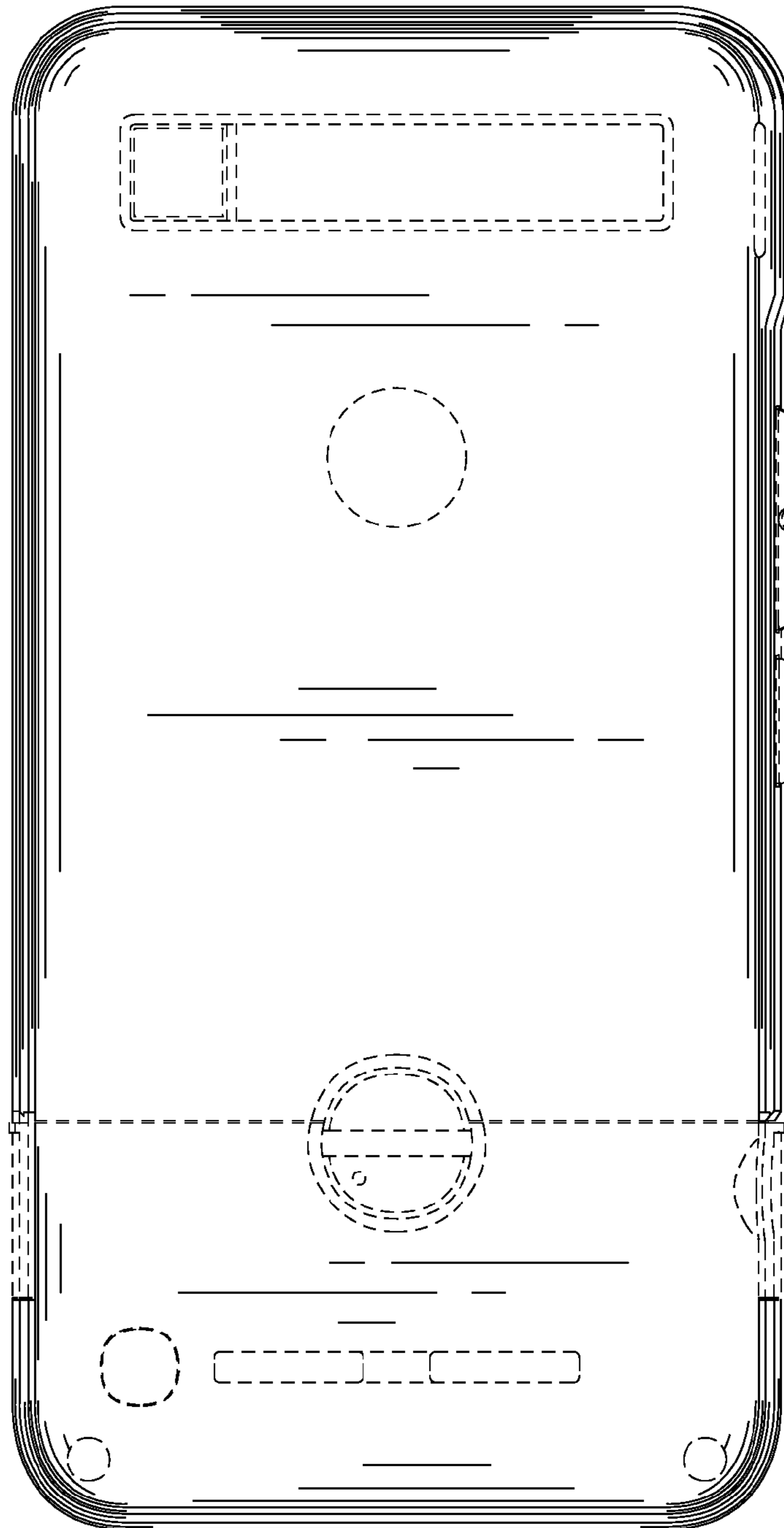


FIG. 12

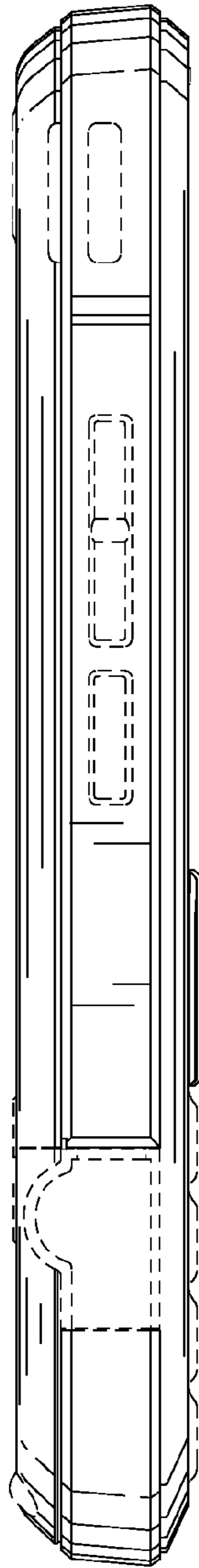


FIG. 13

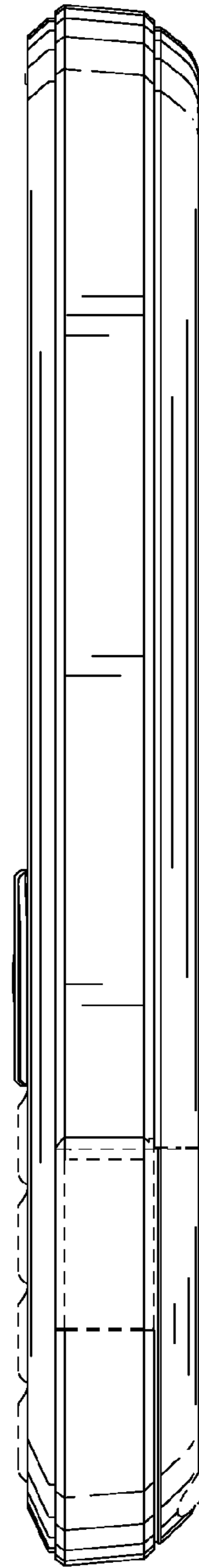


FIG. 14

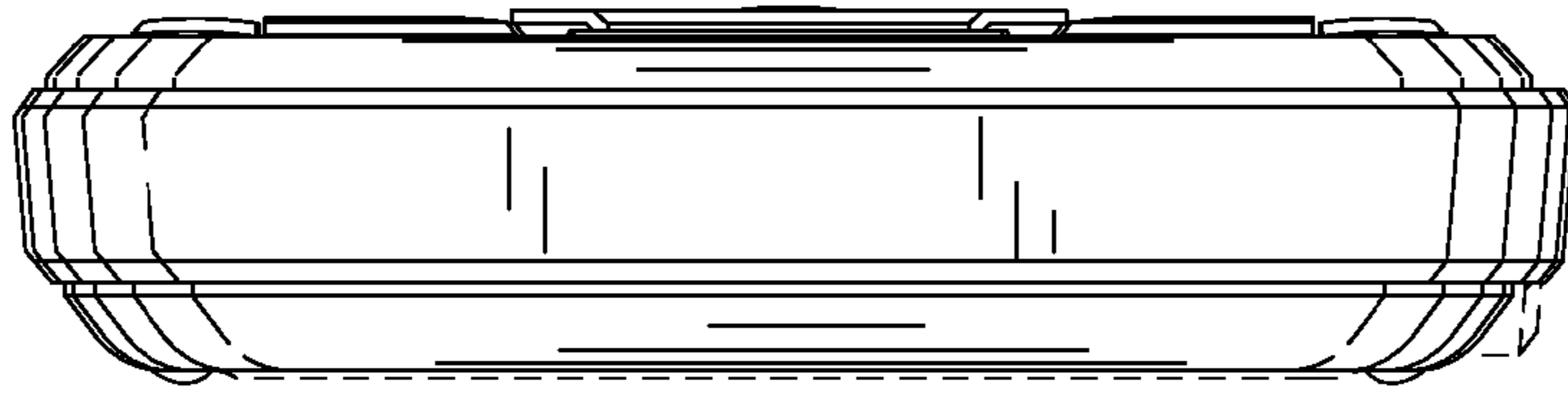


FIG. 15

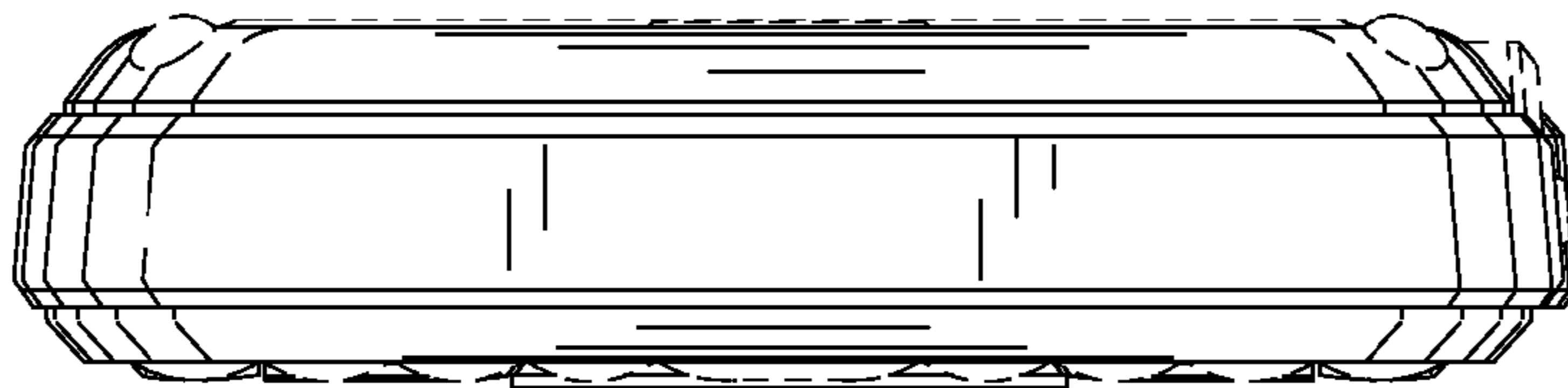


FIG. 16