

US00D633454S

(12) **United States Design Patent**  
**Mitsubishi**

(10) **Patent No.:** **US D633,454 S**

(45) **Date of Patent:** **\*\* \*Mar. 1, 2011**

(54) **DISPLAY**

(75) Inventor: **Renichi Mitsubishi**, Tokyo (JP)

(73) Assignee: **NEC Display Solutions, Ltd.**, Toyko (JP)

(\*) Notice: This patent is subject to a terminal disclaimer.

(\*\*) Term: **14 Years**

(21) Appl. No.: **29/355,161**

(22) Filed: **Feb. 3, 2010**

(30) **Foreign Application Priority Data**

Aug. 6, 2009 (JP) ..... 2009-018074

(51) **LOC (9) Cl.** ..... **14-03**

(52) **U.S. Cl.** ..... **D14/126; D14/127**

(58) **Field of Classification Search** ..... D14/125-134, D14/239, 371, 136, 374-377, 440, 450, 448, D14/336, 342; 312/7.2; 348/836, 838, 180, 348/184, 325, 739; 341/12; 248/917-924, 248/465; 345/104, 133, 156, 168, 87, 173; 720/605, 669, 600, 655; 369/99, 197; 455/344, 455/347; D21/329, 515, 577, 622, 333, 433, D21/448, 452, 450, 331; D6/477, 479, 300; 273/148 B; D10/15, 26

See application file for complete search history.

(56) **References Cited**

**U.S. PATENT DOCUMENTS**

- 6,343,006 B1 \* 1/2002 Moscovitch et al. ... 361/679.04
- 6,554,238 B1 \* 4/2003 Hibberd ..... 248/278.1
- D499,704 S \* 12/2004 Song ..... D14/127
- D526,286 S \* 8/2006 Anzures ..... D14/126
- D542,243 S \* 5/2007 Lewis ..... D14/126
- D548,708 S \* 8/2007 Park et al. .... D14/126
- D550,635 S \* 9/2007 DeMaio et al. .... D14/126

- D562,785 S \* 2/2008 Fujii et al. .... D14/126
- D566,072 S \* 4/2008 Yamaguchi ..... D14/126
- D579,888 S \* 11/2008 Lunde et al. .... D14/127
- D582,867 S \* 12/2008 Song et al. .... D14/126
- D589,511 S \* 3/2009 Han ..... D14/373
- D589,918 S \* 4/2009 Arai et al. .... D14/126
- D593,516 S \* 6/2009 Orne et al. .... D14/127
- D597,505 S \* 8/2009 Hirasawa et al. .... D14/126
- D600,233 S \* 9/2009 Birsal et al. .... D14/203.3
- D604,708 S \* 11/2009 Ichikawa ..... D14/127
- D609,658 S \* 2/2010 Kim et al. .... D14/126
- D615,054 S \* 5/2010 Mellingen et al. .... D14/127

\* cited by examiner

*Primary Examiner*—Raphael Barkai

(74) *Attorney, Agent, or Firm*—Sughrue Mion, PLLC

(57) **CLAIM**

The ornamental design for a display, as shown and described.

**DESCRIPTION**

FIG. 1 is a front, left side, top perspective view of a display showing my new design;

FIG. 2 is a front elevational view thereof;

FIG. 3 is a rear elevational view thereof;

FIG. 4 is a left side view thereof;

FIG. 5 is a right side view thereof;

FIG. 6 is a top plan view thereof;

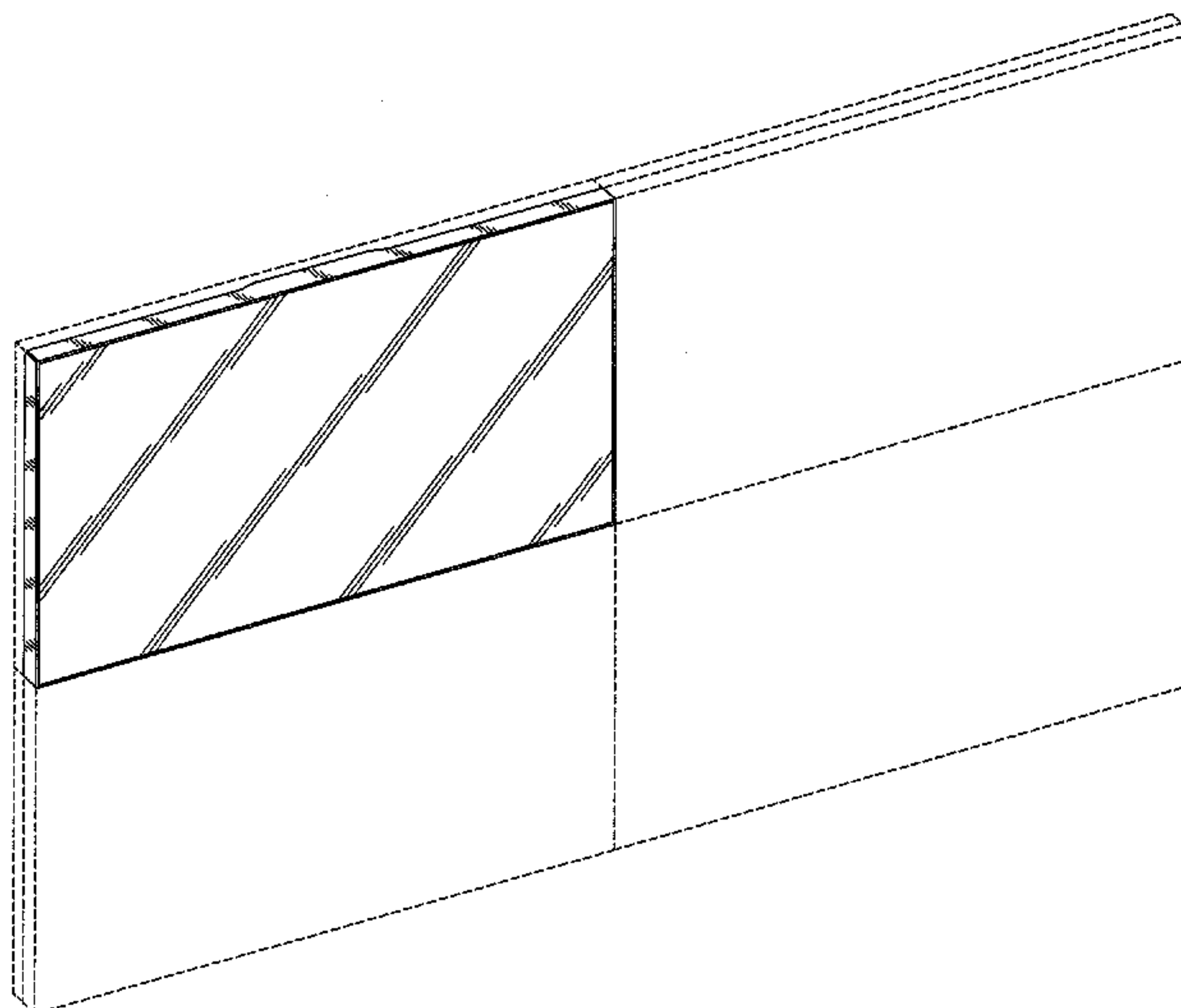
FIG. 7 is a bottom plan view thereof;

FIG. 8 is a partial enlarged perspective view of the upper left corner of FIG. 1; and,

FIG. 9 is a reference view thereof showing a state in which this article is connected with other displays.

The portions of the display in broken lines are shown for illustrative purposes only and form no part of the claimed design.

**1 Claim, 8 Drawing Sheets**



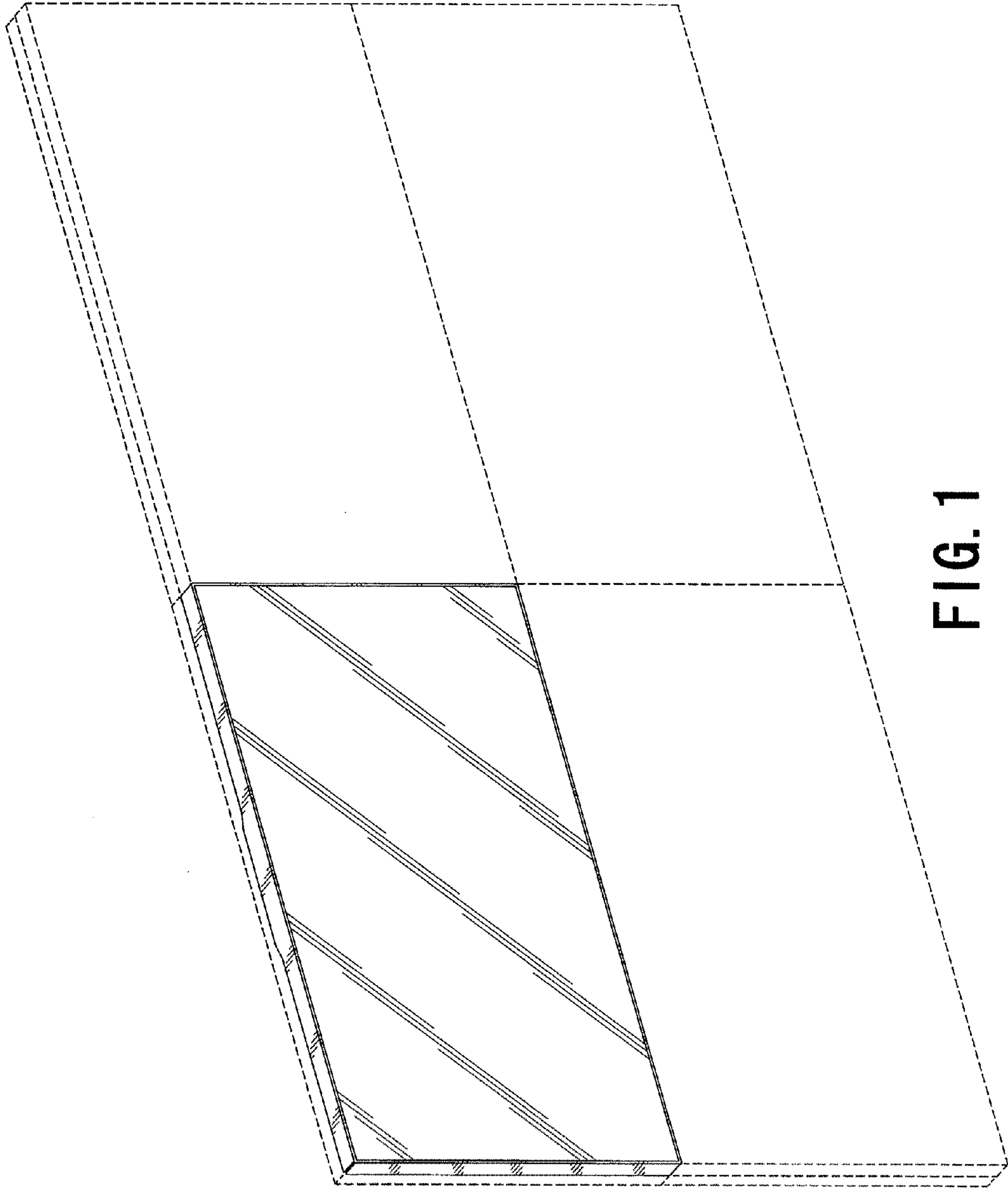


FIG. 1

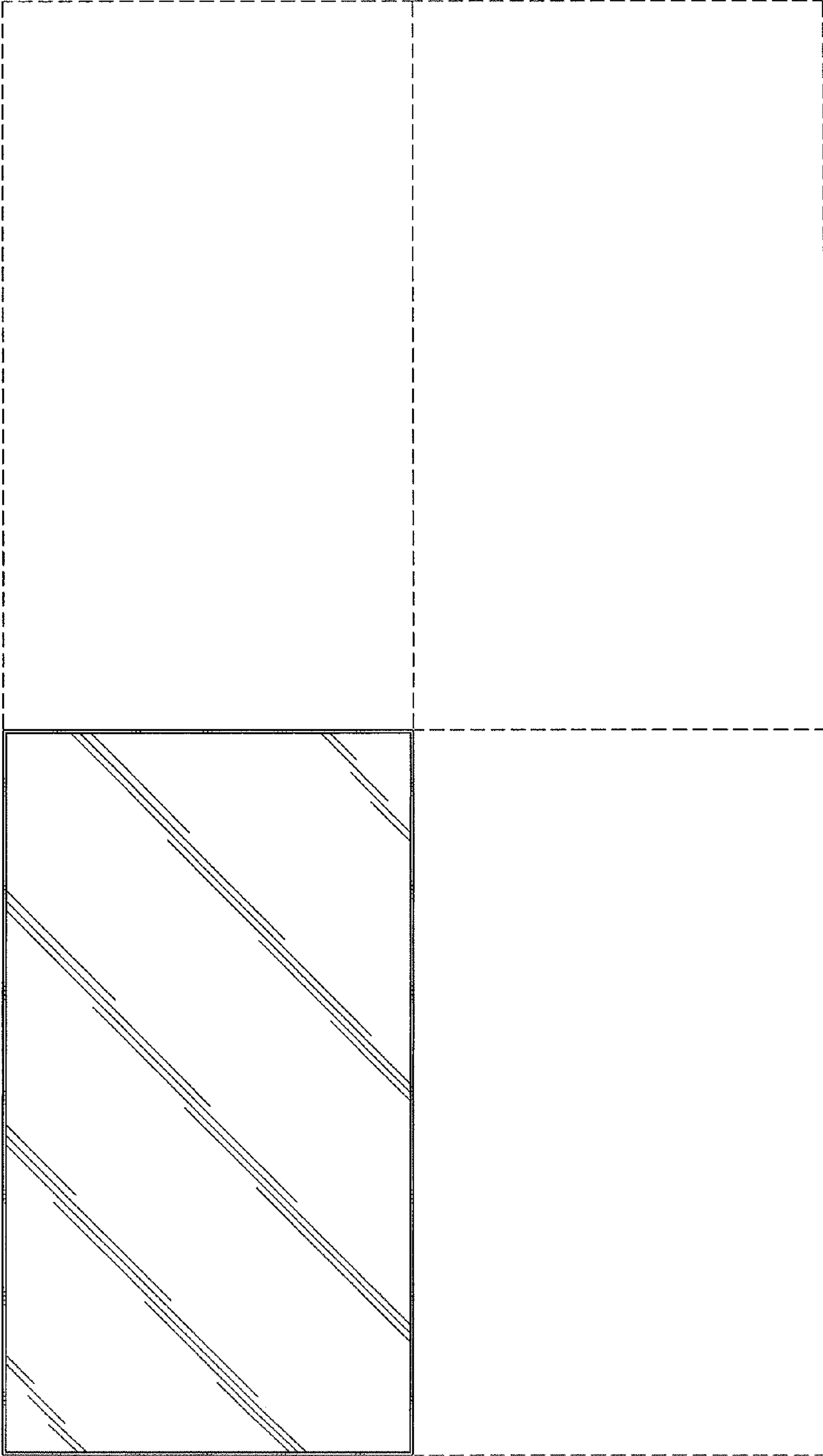


FIG. 2

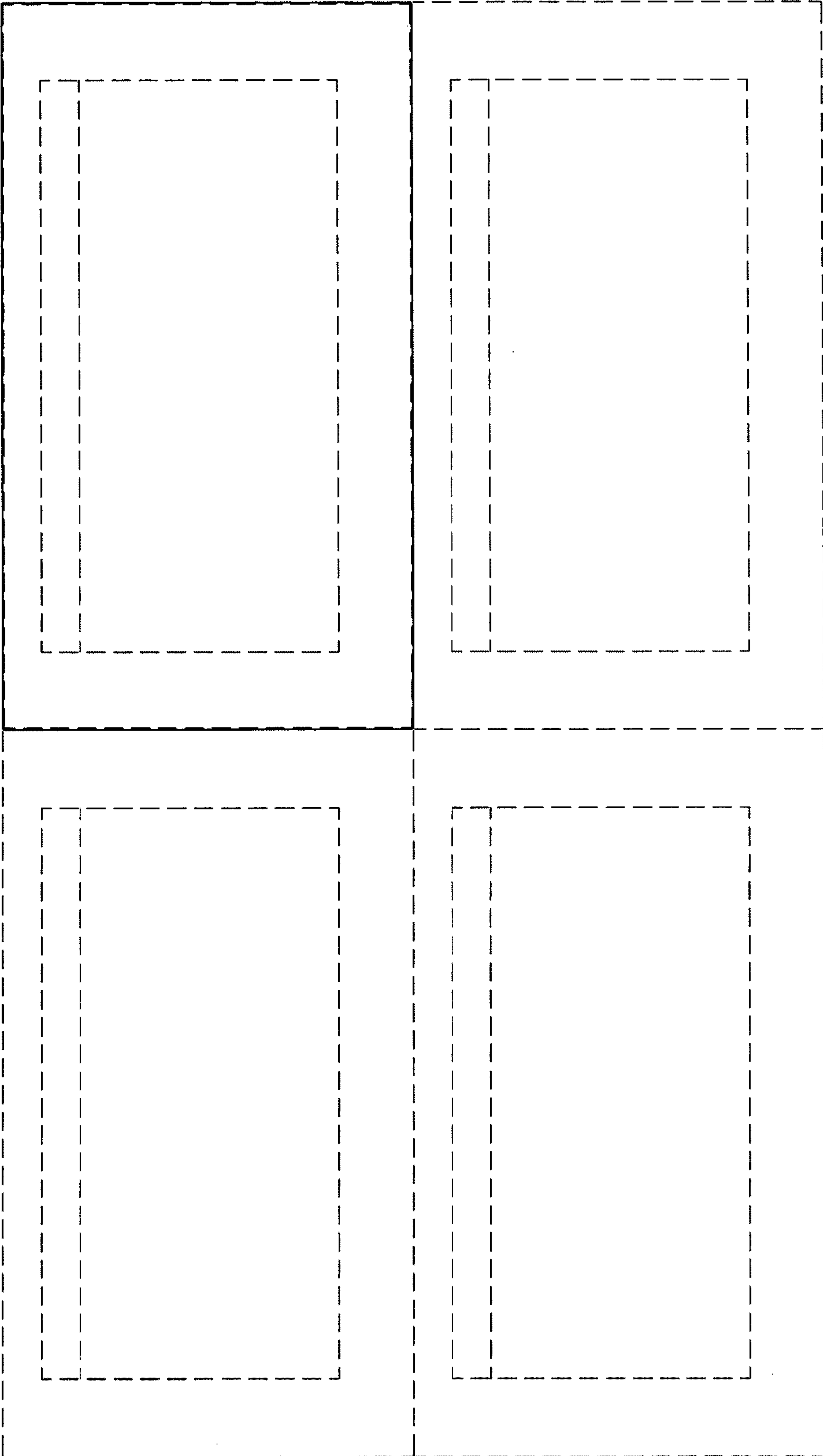
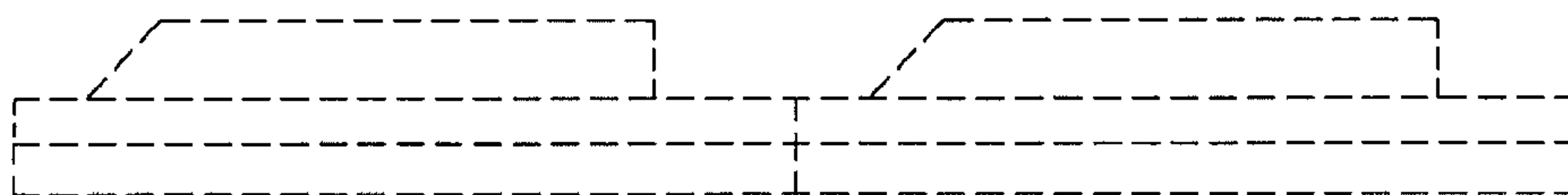


FIG. 3



**FIG. 5**



**FIG. 4**

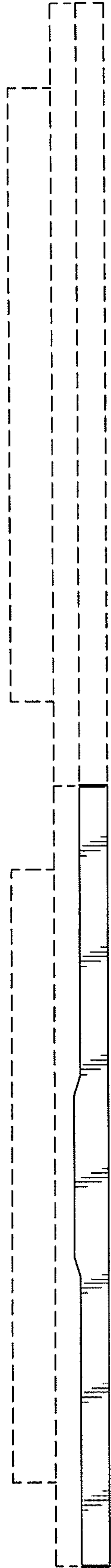
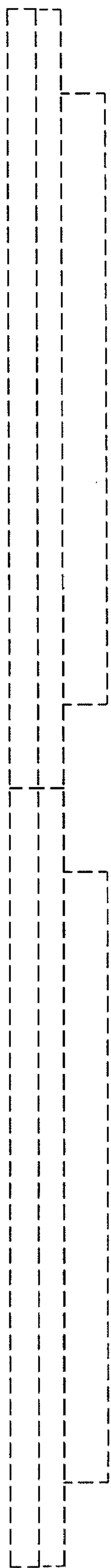


FIG. 6



**FIG. 7**

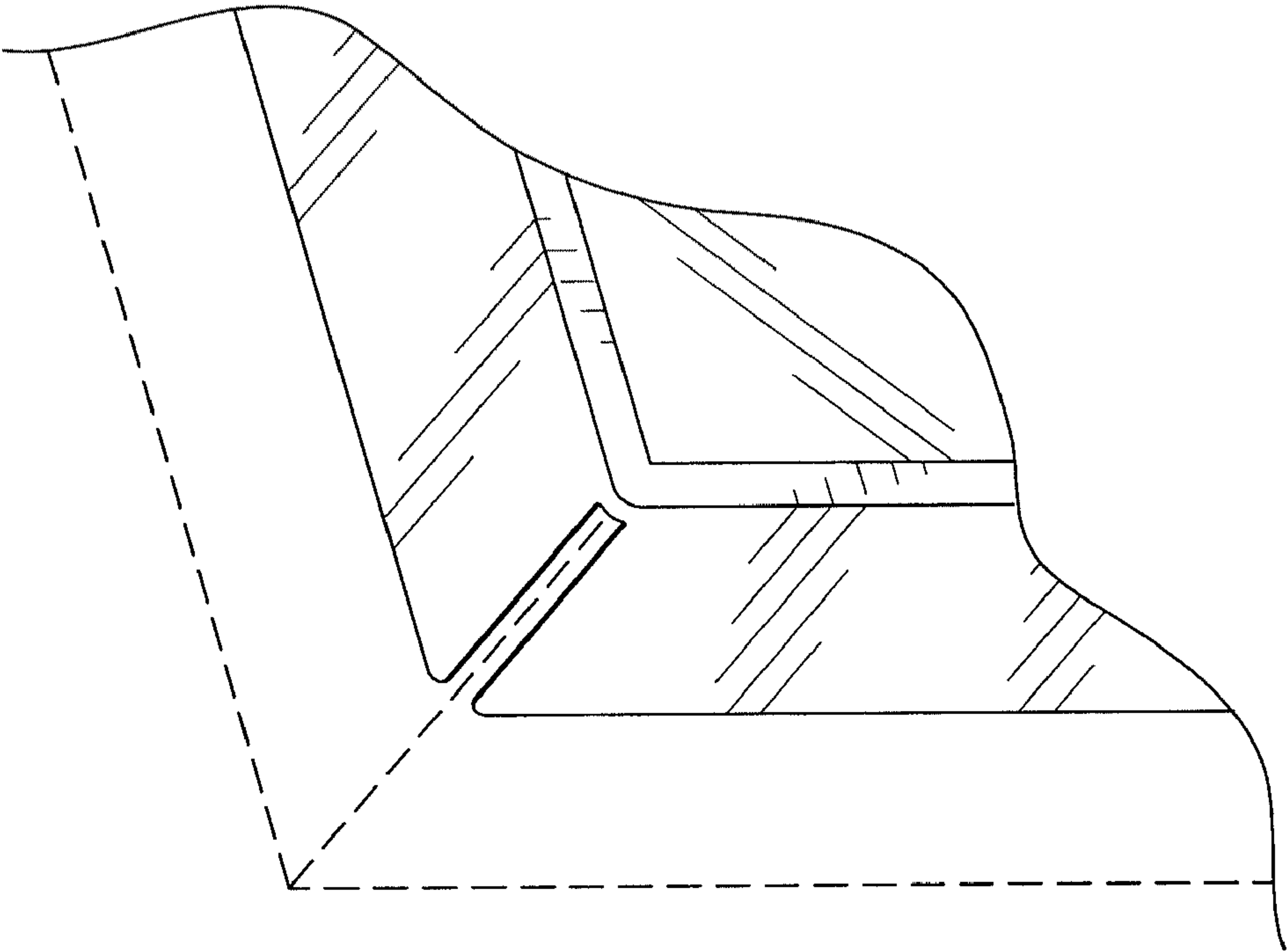


FIG. 8



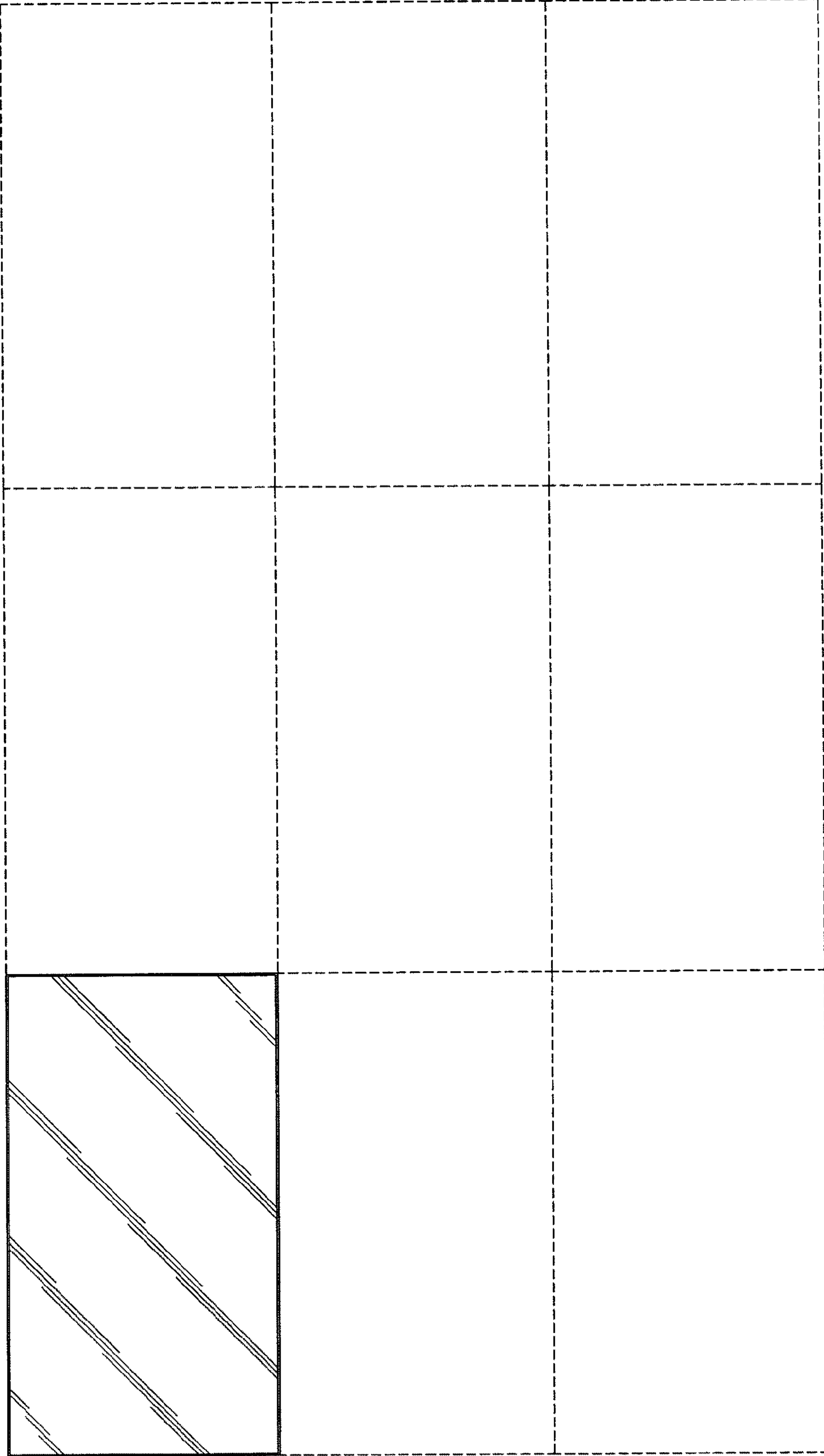


FIG. 9