



US00D633447S

(12) **United States Design Patent**
Schaal et al.

(10) **Patent No.:** **US D633,447 S**
(45) **Date of Patent:** **** Mar. 1, 2011**

(54) **CONTROL MODULE**

(75) Inventors: **Nathan David Schaal**, Cambridge, MA (US); **Adam A. Carr**, Marlborough, MA (US); **Kevin M. Krauss**, Maynard, MA (US); **Michael E. Laude**, Upton, MA (US); **David H. Pitcher**, Worcester, MA (US)

(73) Assignee: **Bose Corporation**, Framingham, MA (US)

(**) Term: **14 Years**

(21) Appl. No.: **29/365,877**

(22) Filed: **Jul. 16, 2010**

(51) **LOC (9) Cl.** **14-03**
(52) **U.S. Cl.** **D13/168**
(58) **Field of Classification Search** D13/168;
D10/104, 106; D14/218, 247; 340/825.22,
340/825.24, 825.25, 825.31, 825.36, 825.69,
340/825.72; 341/176; 455/352; 345/156,
345/169; 348/734; 463/39; 700/17, 65,
700/83

See application file for complete search history.

(56) **References Cited**

U.S. PATENT DOCUMENTS

D381,417 S * 7/1997 Simmons et al. D24/112
D451,077 S * 11/2001 Montagnino et al. D13/168
D480,370 S * 10/2003 Kosumsuppamala et al. D13/
168
D481,364 S * 10/2003 Kosumsuppamala et al. D13/
168
D513,234 S * 12/2005 Martin D13/168
D525,947 S * 8/2006 Gerard et al. D13/168
D530,680 S * 10/2006 Fox et al. D13/168

D571,737 S * 6/2008 Koury et al. D13/168
D607,847 S * 1/2010 Elliott et al. D13/168
D611,914 S * 3/2010 Chiang et al. D13/164
2008/0252793 A1 * 10/2008 Choi et al. 348/734

* cited by examiner

Primary Examiner—Selina Sikder

(57) **CLAIM**

The ornamental design for a control module, substantially as shown and described.

DESCRIPTION

FIG. 1 is a perspective view of a control module as seen from the front, top and right side;

FIG. 2 is a top view thereof;

FIG. 3 is a bottom view thereof;

FIG. 4 is a right side view thereof;

FIG. 5 is a left side view thereof;

FIG. 6 is a rear view thereof;

FIG. 7 is a front view thereof;

FIG. 8 is a perspective view of another example of a control module as seen from the front, top and right side;

FIG. 9 is a top view thereof;

FIG. 10 is a bottom view thereof;

FIG. 11 is a right side view thereof;

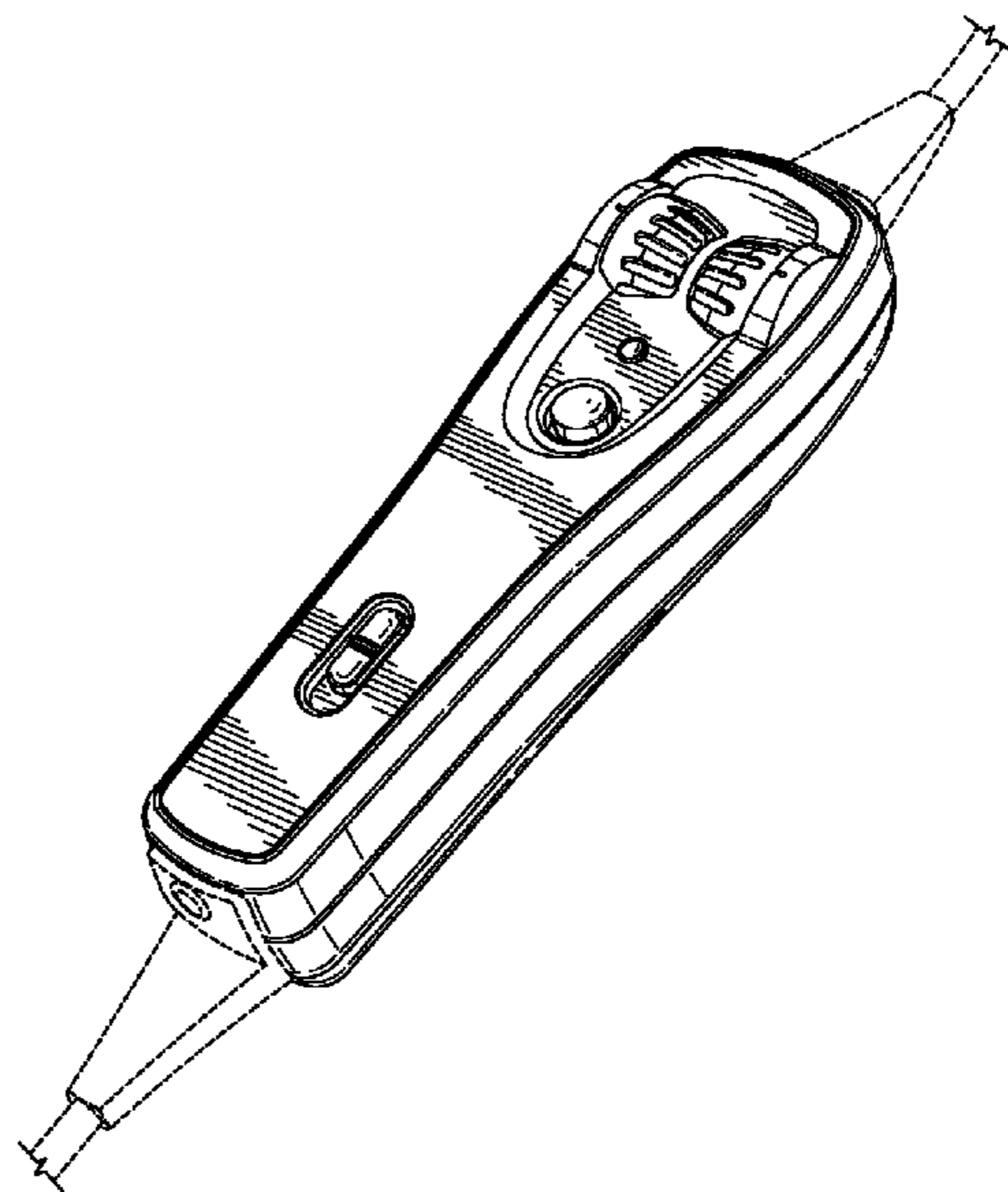
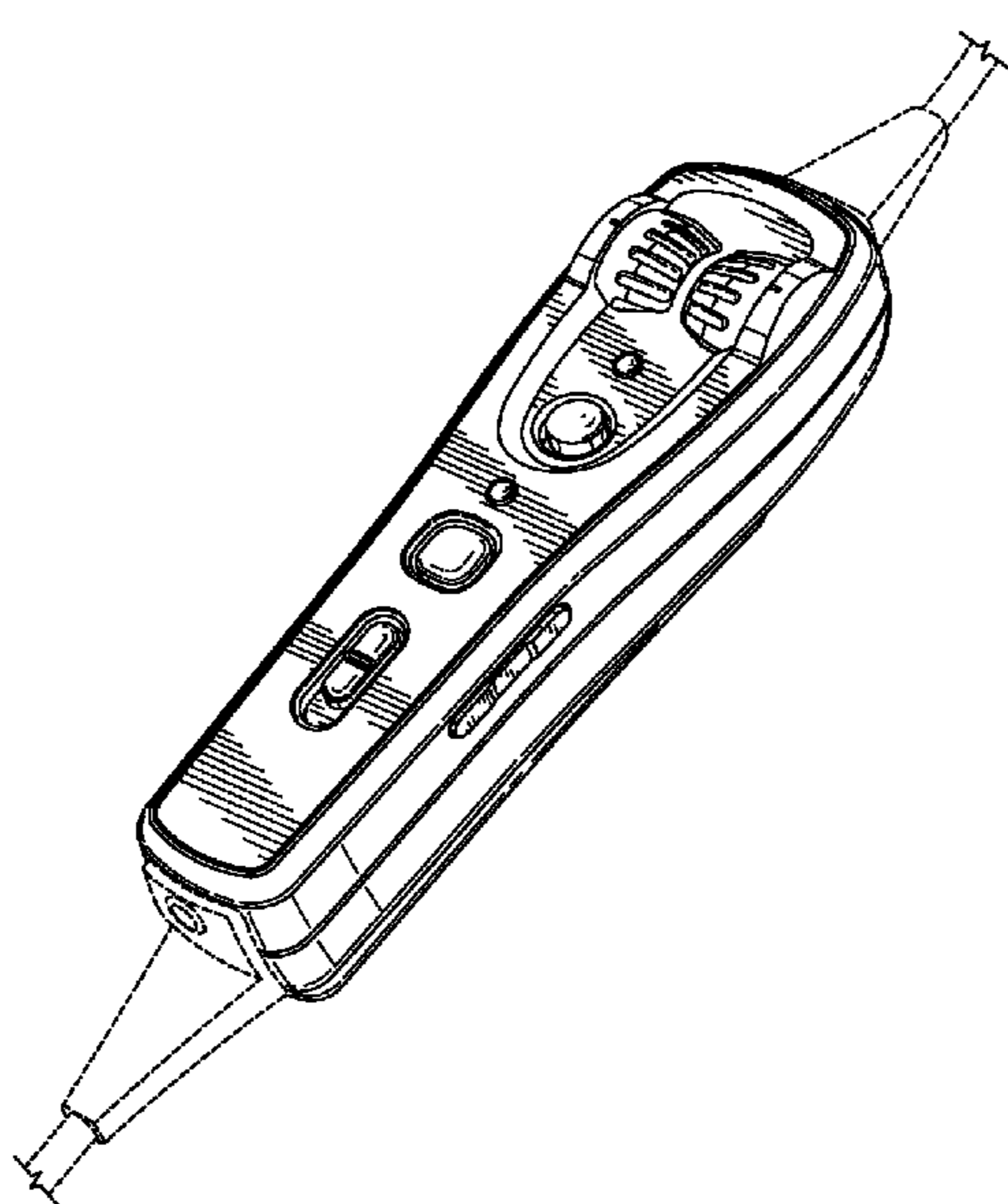
FIG. 12 is a left side view thereof;

FIG. 13 is a rear view thereof; and,

FIG. 14 is a front view thereof.

The dotted lines depict environmental structure only and do not form any part of the claimed design.

1 Claim, 10 Drawing Sheets



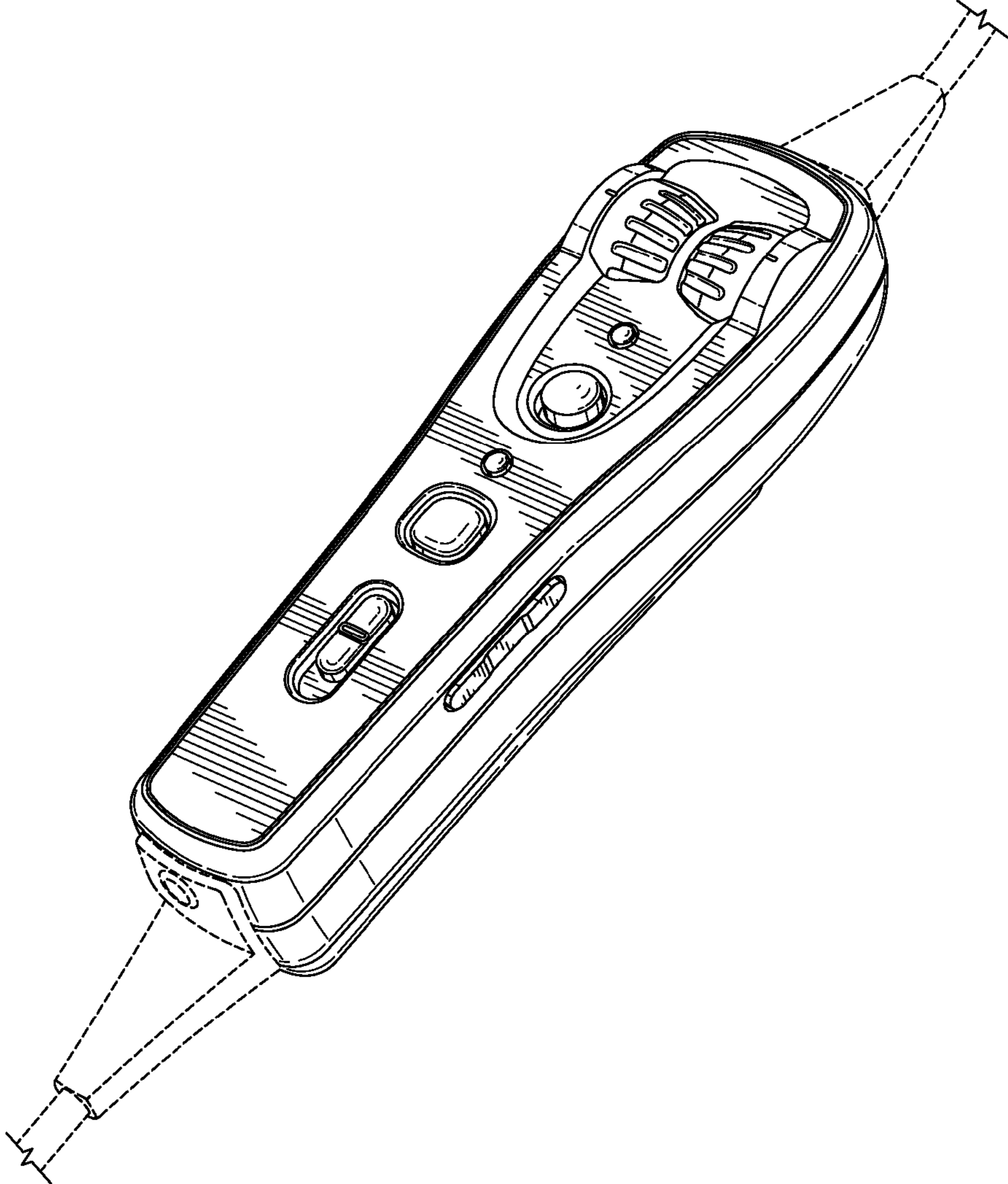


FIG. 1

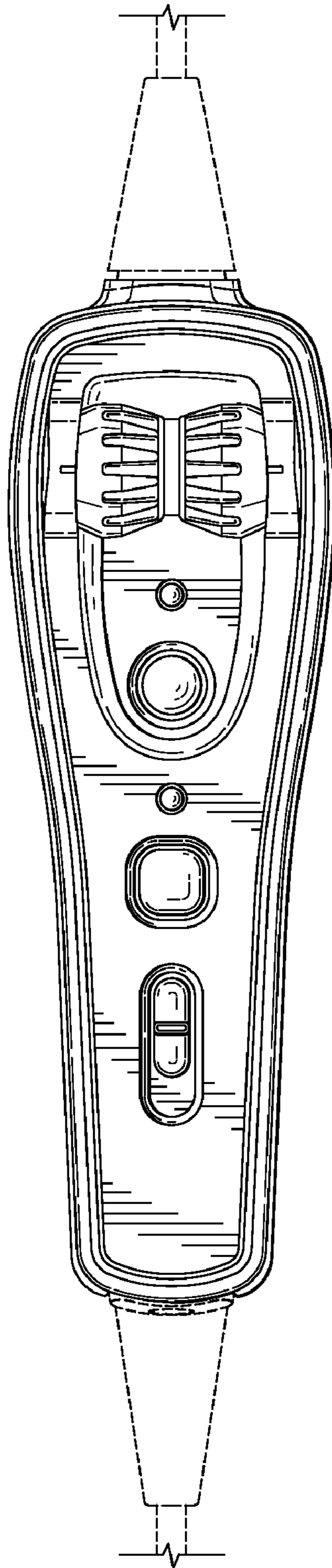


FIG. 2

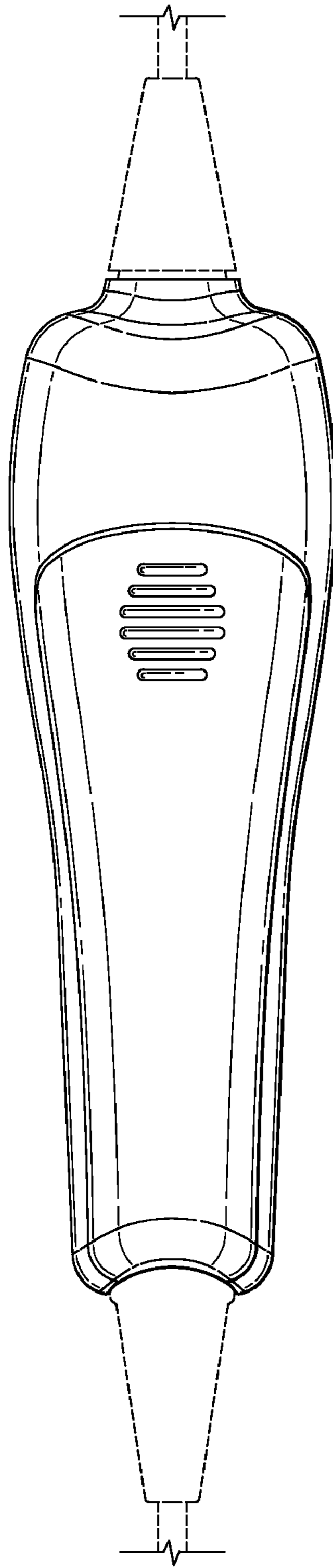


FIG. 3

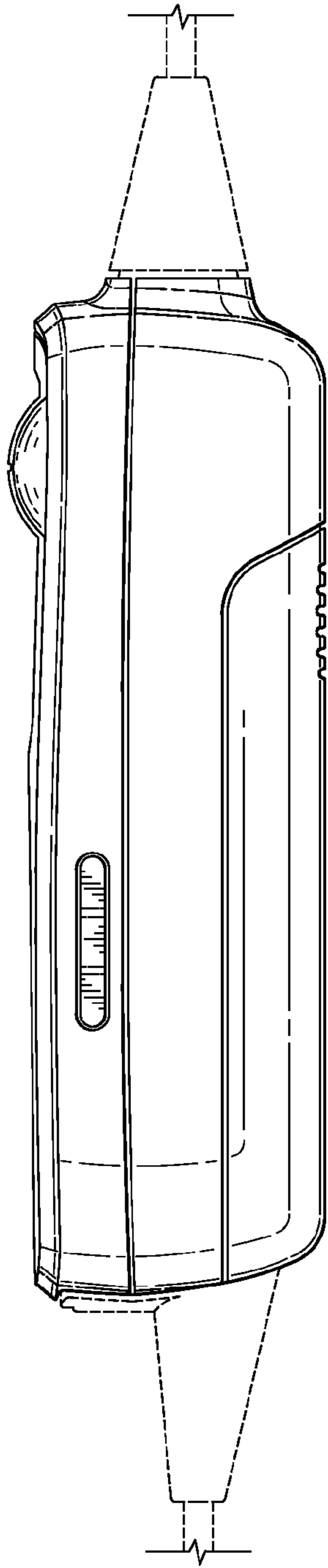


FIG. 4

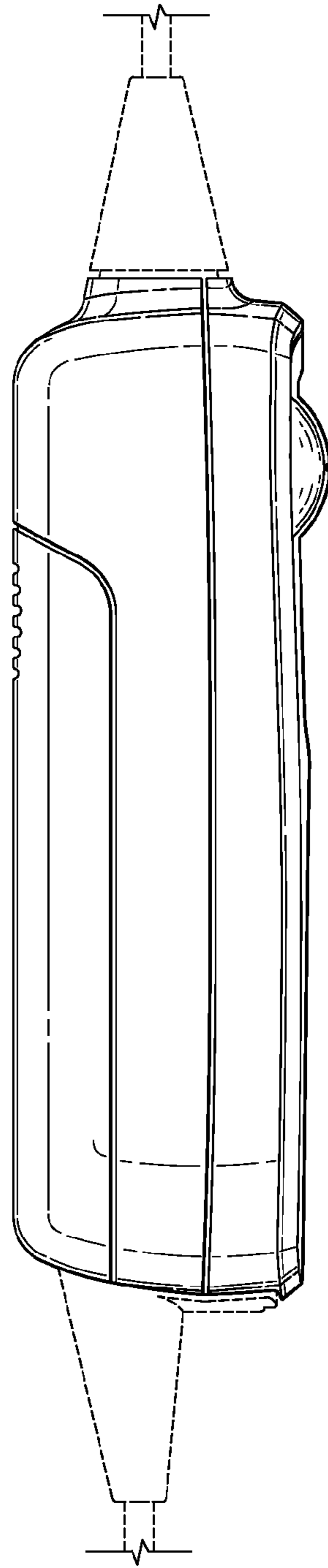


FIG. 5

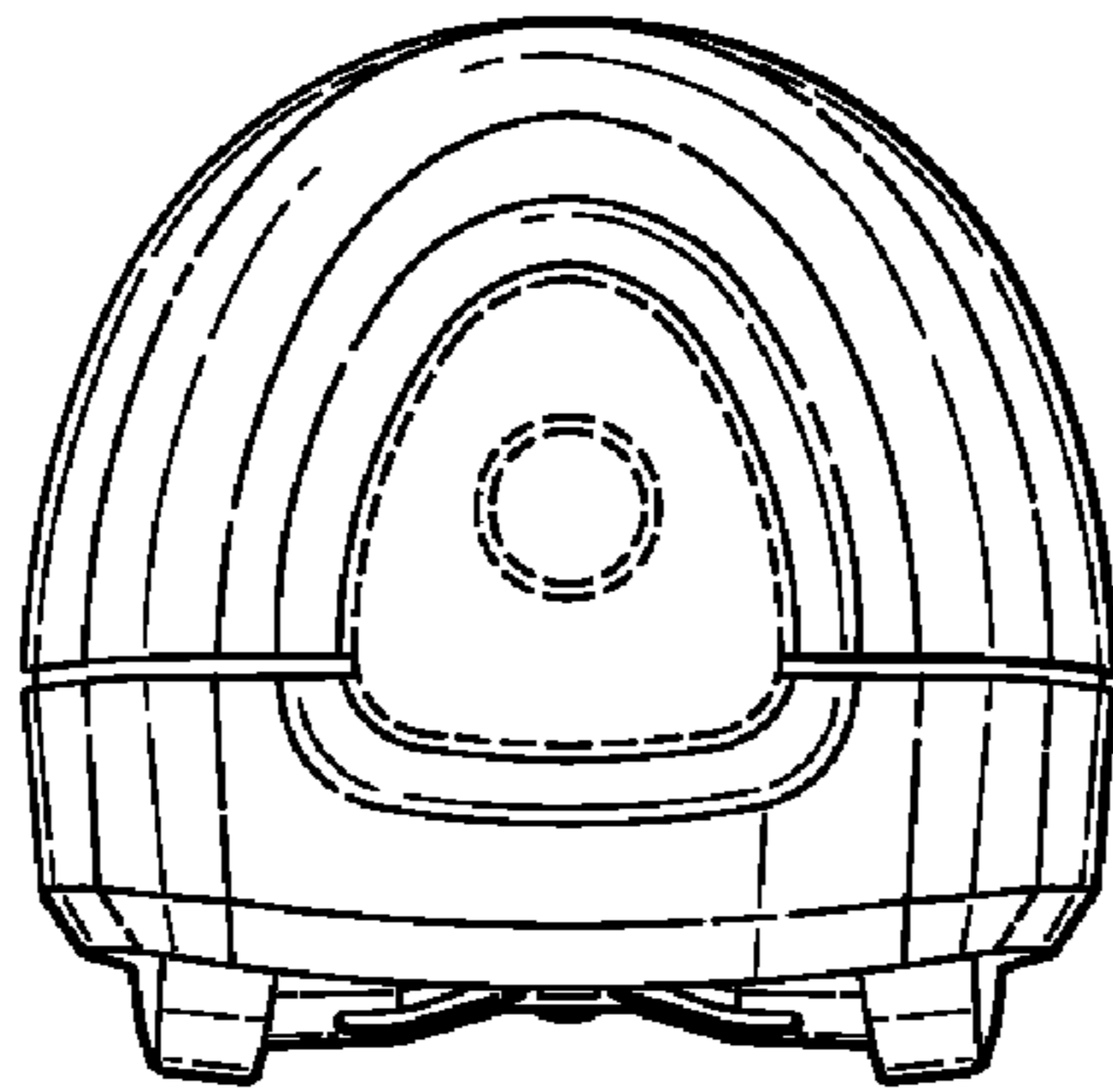


FIG. 6

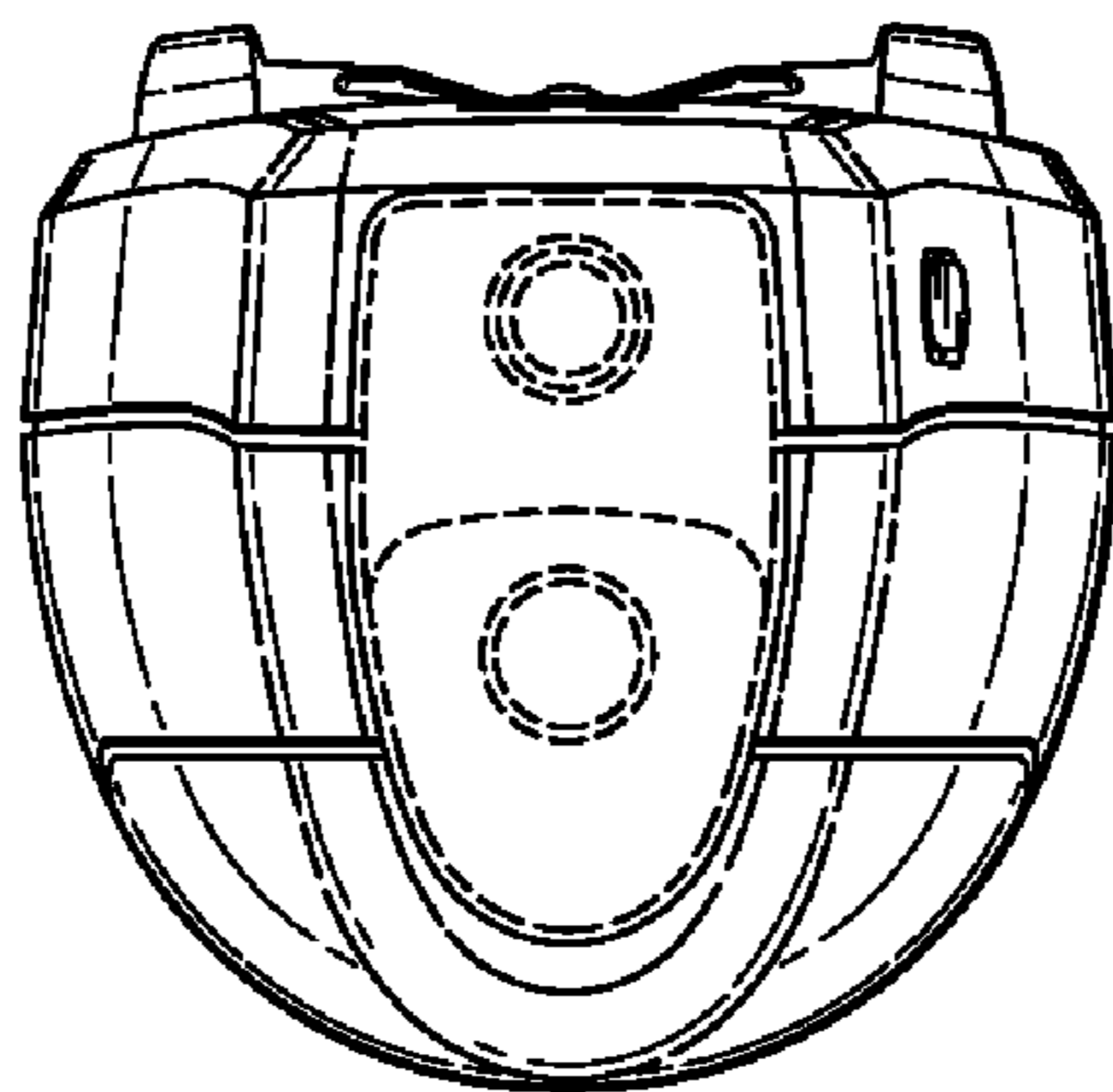


FIG. 7

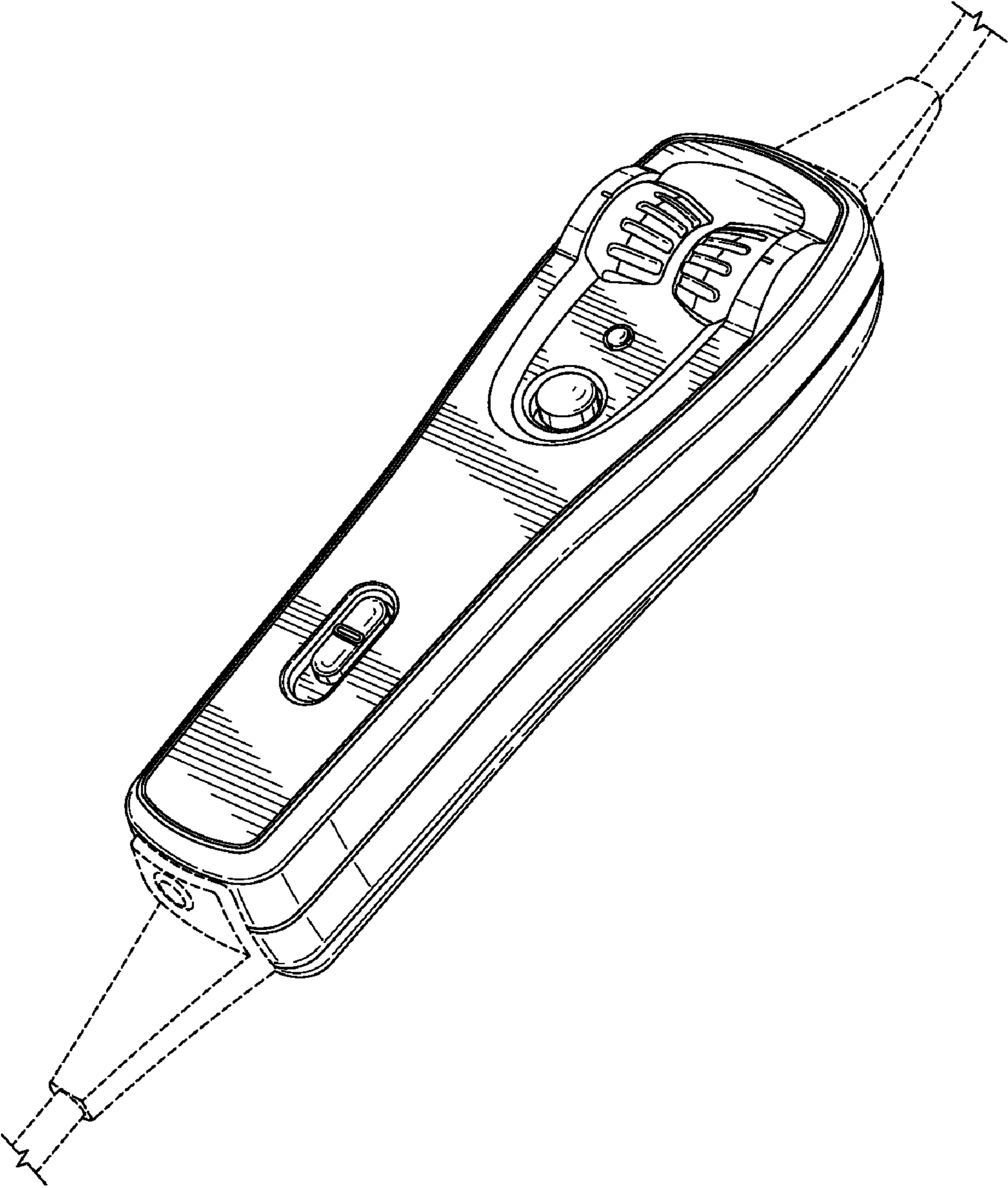


FIG. 8

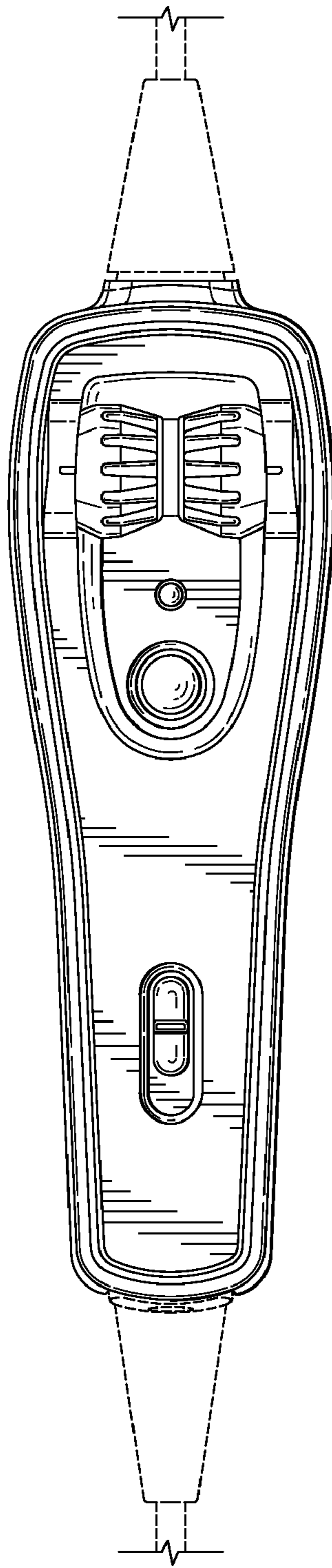


FIG. 9

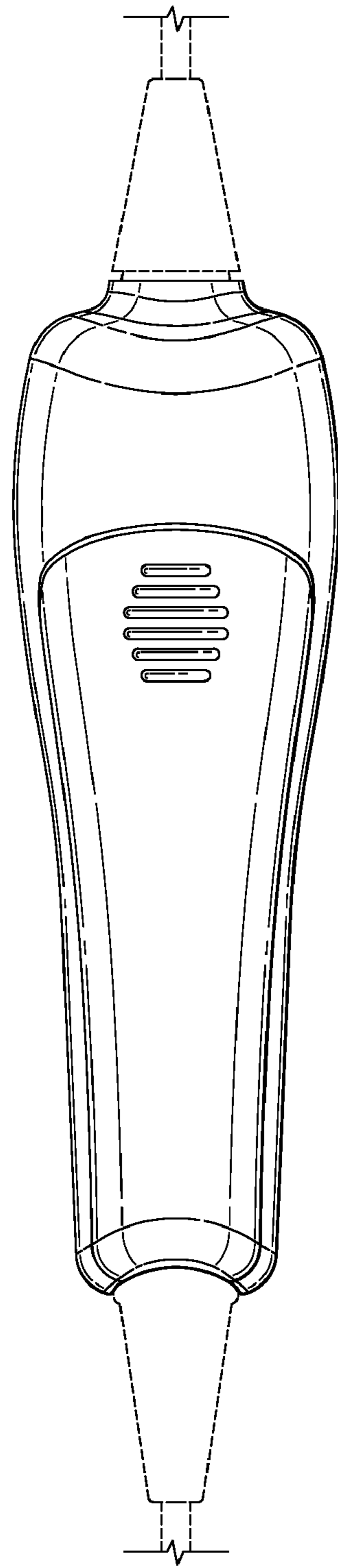


FIG. 10

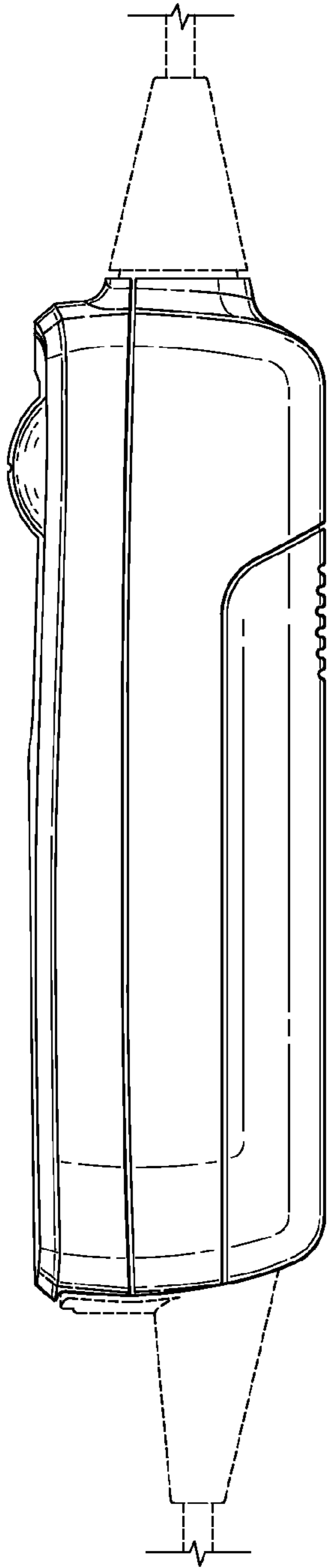


FIG. 11

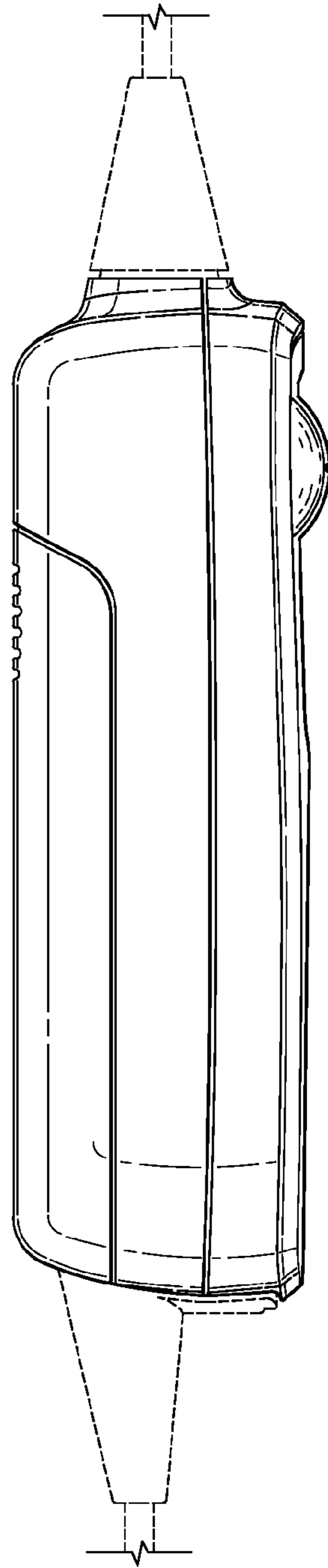


FIG. 12

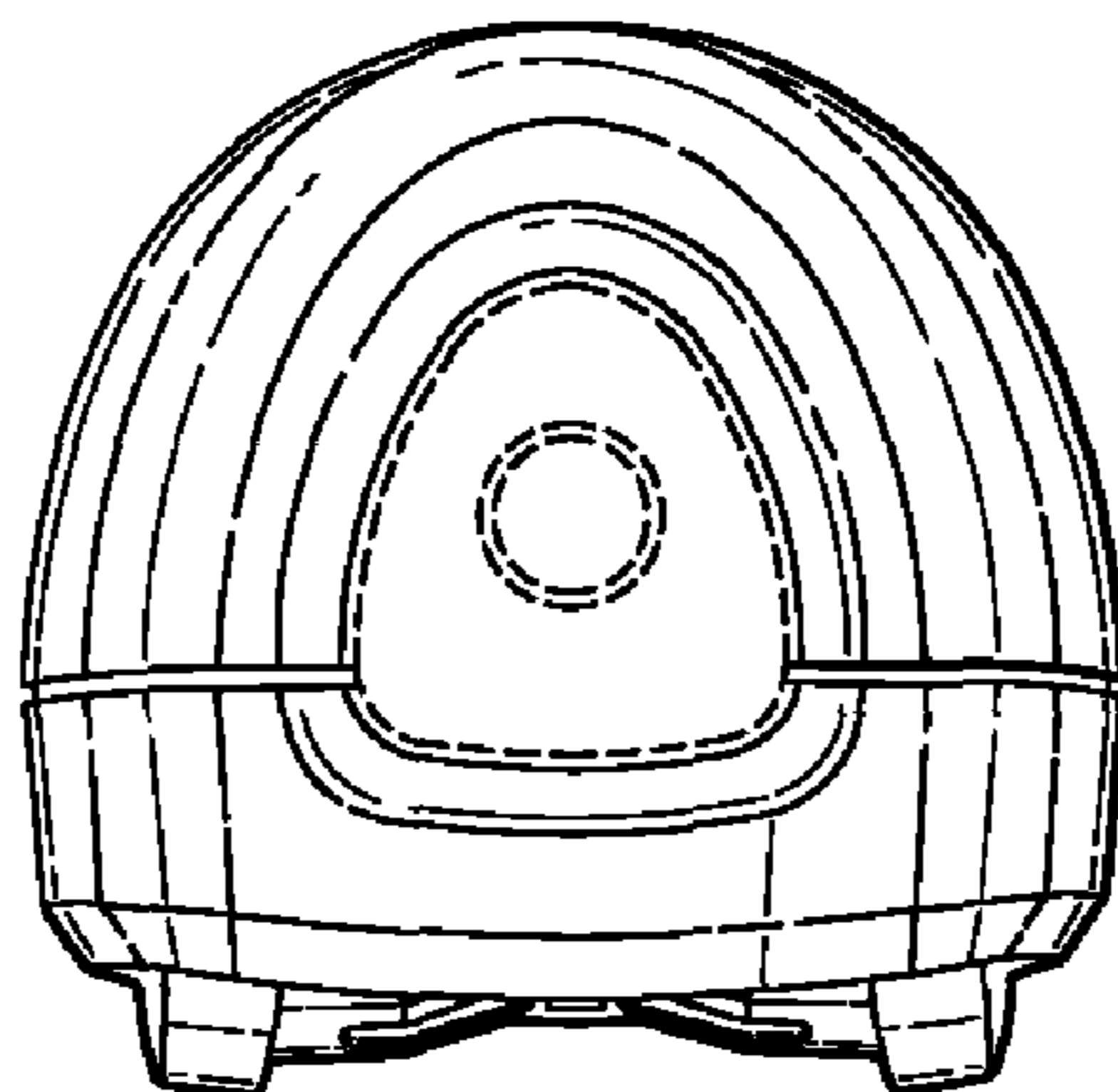


FIG. 13

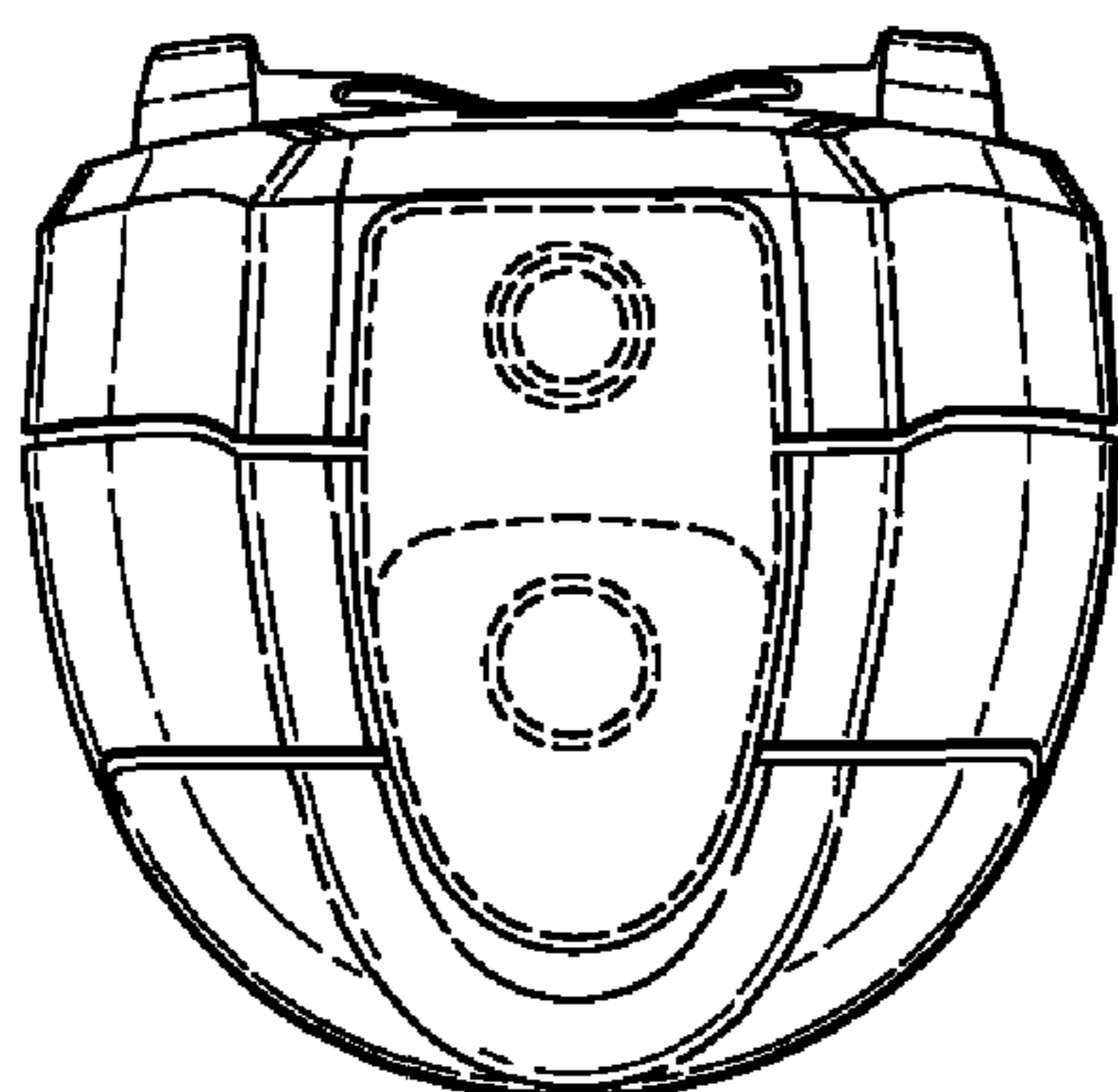


FIG. 14