



US00D633446S

(12) **United States Design Patent**
Besana et al.

(10) **Patent No.:** **US D633,446 S**
(45) **Date of Patent:** **** Mar. 1, 2011**

(54) **CIRCUIT BREAKER**
(75) Inventors: **Stefano Besana**, Terno d'Isola (IT);
Lucio Azzola, Bergamo (IT)
(73) Assignee: **ABB S.p.A.**, Milan (IT)
(**) Term: **14 Years**
(21) Appl. No.: **29/341,449**

6,512,433 B1 1/2003 Bouchard et al.
D498,464 S 11/2004 Kim
D499,700 S 12/2004 Raabe et al.
D499,701 S 12/2004 Kim
D506,185 S 6/2005 Kim
7,064,283 B2 6/2006 Deylitz et al.
D535,626 S 1/2007 Azzola et al.
D547,729 S 7/2007 Azzola et al.

(Continued)

(22) Filed: **Aug. 5, 2009**

FOREIGN PATENT DOCUMENTS

(51) **LOC (9) Cl.** **13-03**
(52) **U.S. Cl.** **D13/160**
(58) **Field of Classification Search** D13/158,
D13/159, 160, 161, 162, 184, 199; 200/43.14,
200/50.01, 50.21-50.23, 51 R, 293, 400,
200/401; 361/42, 44, 45, 50, 71, 115, 608,
361/634

WO DM-055 273 4/2001

OTHER PUBLICATIONS

ABB Sace L.V., Sace Emax. A system that's open to any solution,
604060/011 en, Jul. 1999.

(Continued)

See application file for complete search history.

Primary Examiner—Thomas J Johannes
(74) *Attorney, Agent, or Firm*—Connolly Bove Lodge & Hutz
LLP

(56) **References Cited**

U.S. PATENT DOCUMENTS

4,728,757 A 3/1988 Buxton et al.
D315,333 S * 3/1991 Barbier et al. D13/160
D318,460 S * 7/1991 Heath et al. D13/160
D319,627 S 9/1991 Smith et al.
D325,727 S * 4/1992 Murata et al. D13/160
D334,174 S * 3/1993 Hosogai et al. D13/160
5,296,664 A 3/1994 Crookston et al.
5,362,933 A 11/1994 Kutsche et al.
D359,948 S 7/1995 Merlin
5,587,570 A 12/1996 Kelaita, Jr. et al.
5,610,375 A 3/1997 Sinthomez
D378,914 S 4/1997 Smith et al.
5,717,178 A 2/1998 Turner et al.
D402,267 S 12/1998 M'Sadoques
5,902,973 A 5/1999 Ramey et al.
6,008,459 A 12/1999 Faber et al.
6,078,017 A 6/2000 Blessitt et al.
6,177,641 B1 1/2001 Morel et al.
D442,146 S 5/2001 Greenberg et al.
6,361,848 B1 3/2002 Katsube et al.
6,388,867 B1 5/2002 Rakus et al.
6,445,559 B1 9/2002 Phillips et al.
6,489,577 B2 12/2002 Kurata

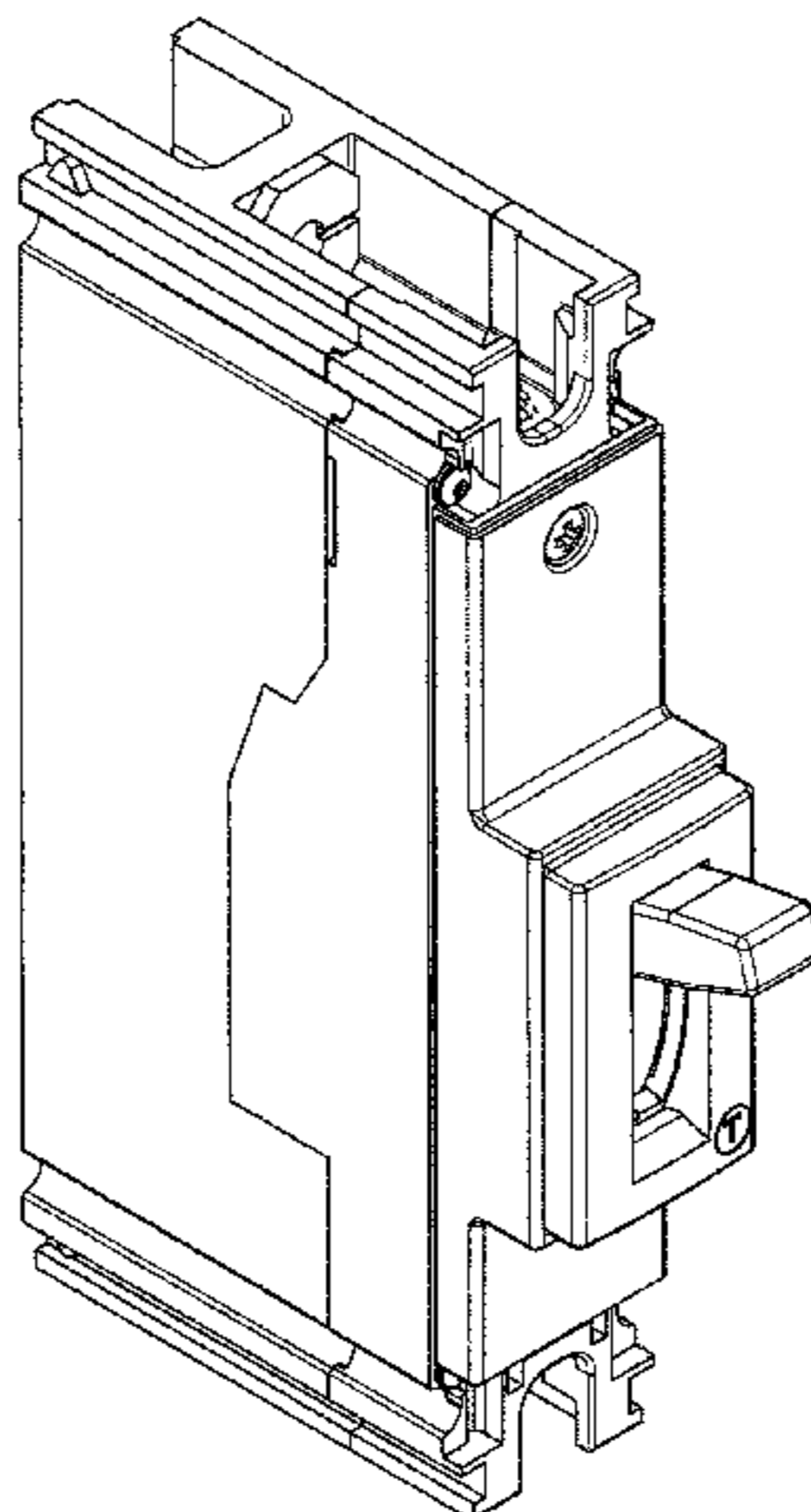
(57) **CLAIM**

The ornamental design for a circuit breaker, as shown and described.

DESCRIPTION

FIG. 1 is a front perspective view of a circuit breaker showing our new design;
FIG. 2 is a front view thereof;
FIG. 3 is a rear view thereof;
FIG. 4 is a top view thereof;
FIG. 5 is a bottom view thereof;
FIG. 6 is a left view thereof; and,
FIG. 7 is a right view thereof.
The broken line portion of the figure drawings is included to show unclaimed subject matter only and forms no part of the claimed design.

1 Claim, 7 Drawing Sheets



US D633,446 S

Page 2

U.S. PATENT DOCUMENTS

D547,730 S 7/2007 Azzola et al.
D551,629 S 9/2007 Azzola et al.
D562,777 S 2/2008 Azzola et al.
D576,111 S 9/2008 Azzola et al.
D585,839 S 2/2009 Azzola et al.
D587,658 S 3/2009 Azzola et al.
D593,506 S * 6/2009 Azzola et al. D13/160
D599,301 S 9/2009 Azzola et al.
D611,002 S * 3/2010 Azzola et al. D13/160
D616,832 S * 6/2010 Corteel D13/161

2001/0022713 A1 9/2001 Gimenez et al.
2001/0025773 A1 10/2001 Rane et al.
2004/0045796 A1 3/2004 Azzola et al.
2005/0109597 A1 5/2005 Etscheidt et al.
2006/0118397 A1 6/2006 Dahl et al.

OTHER PUBLICATIONS

Terasaki Electric, Revolution in circuit breaker technology, 35 pp
(date unknown).

* cited by examiner

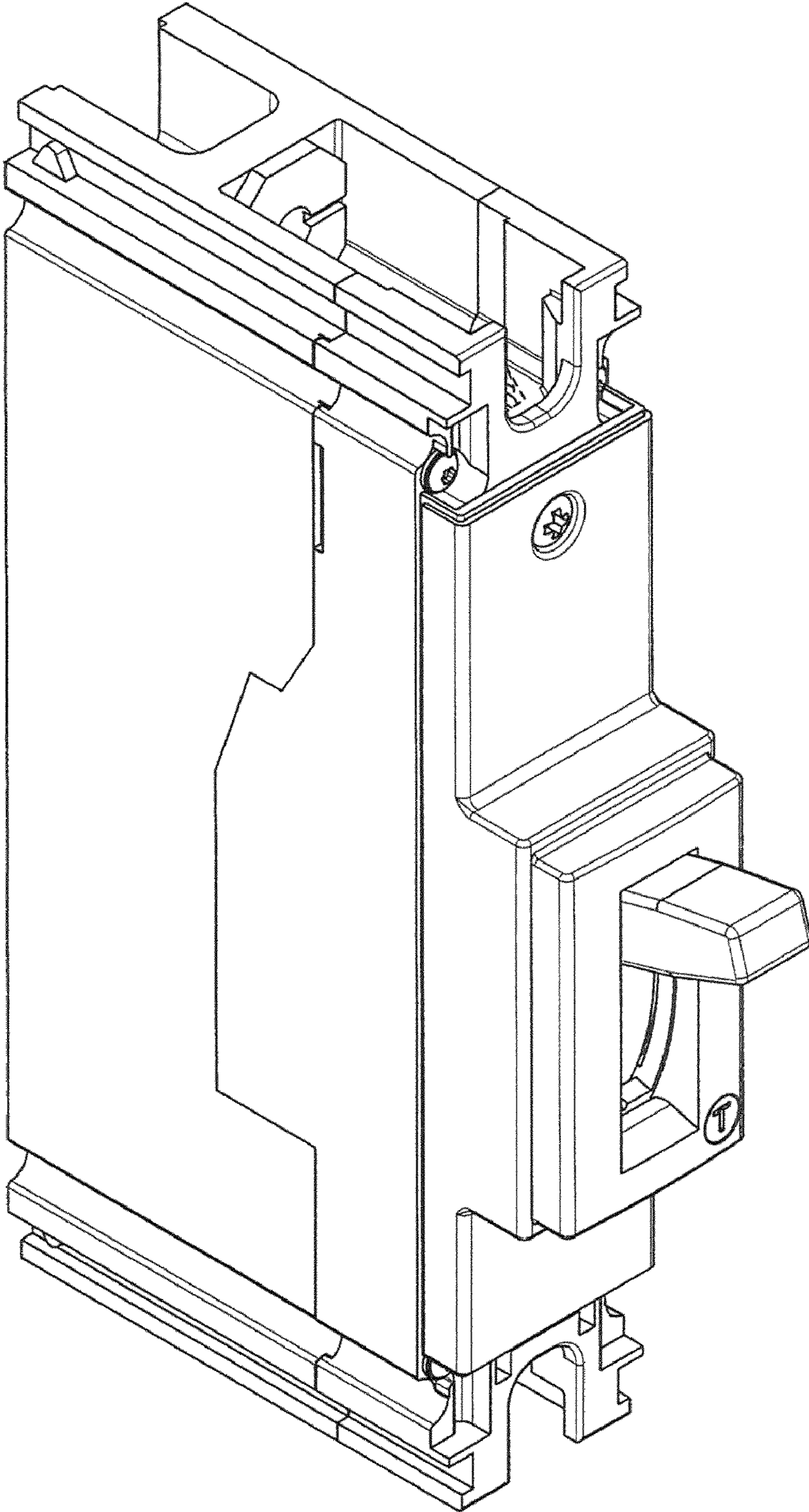


Fig. 1

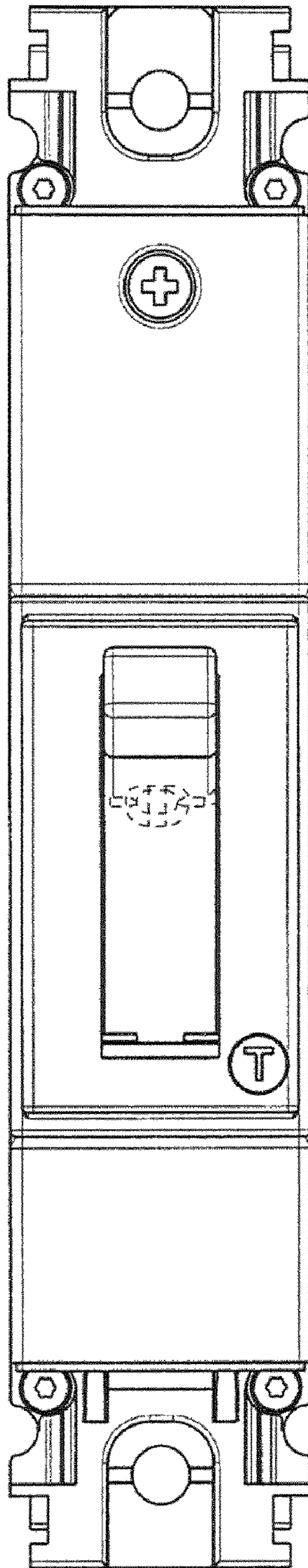


Fig. 2

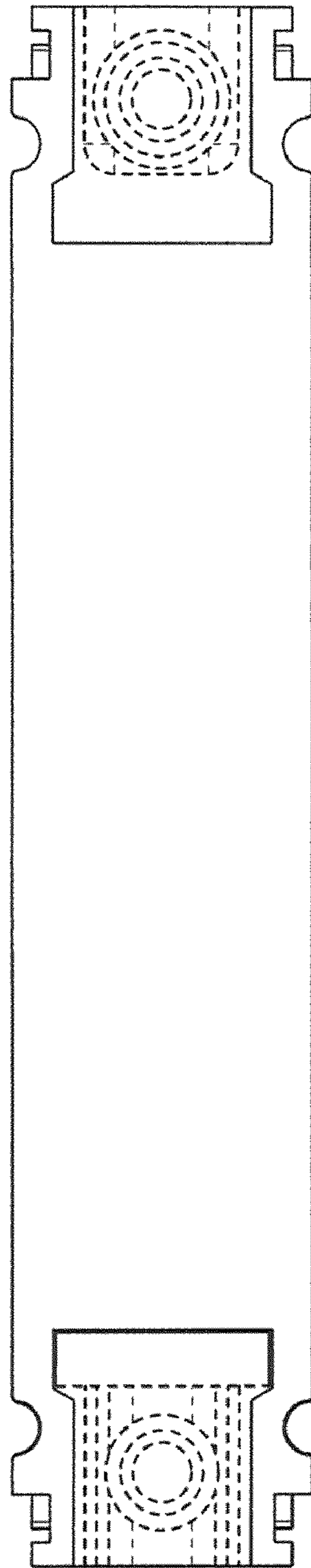


Fig. 3

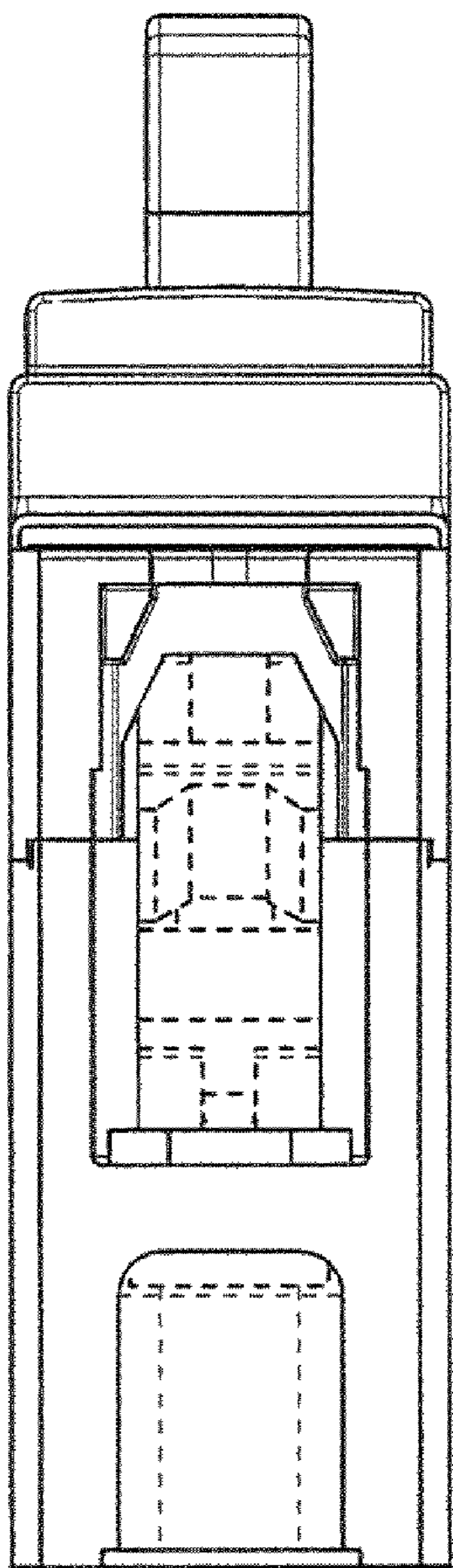


Fig. 4

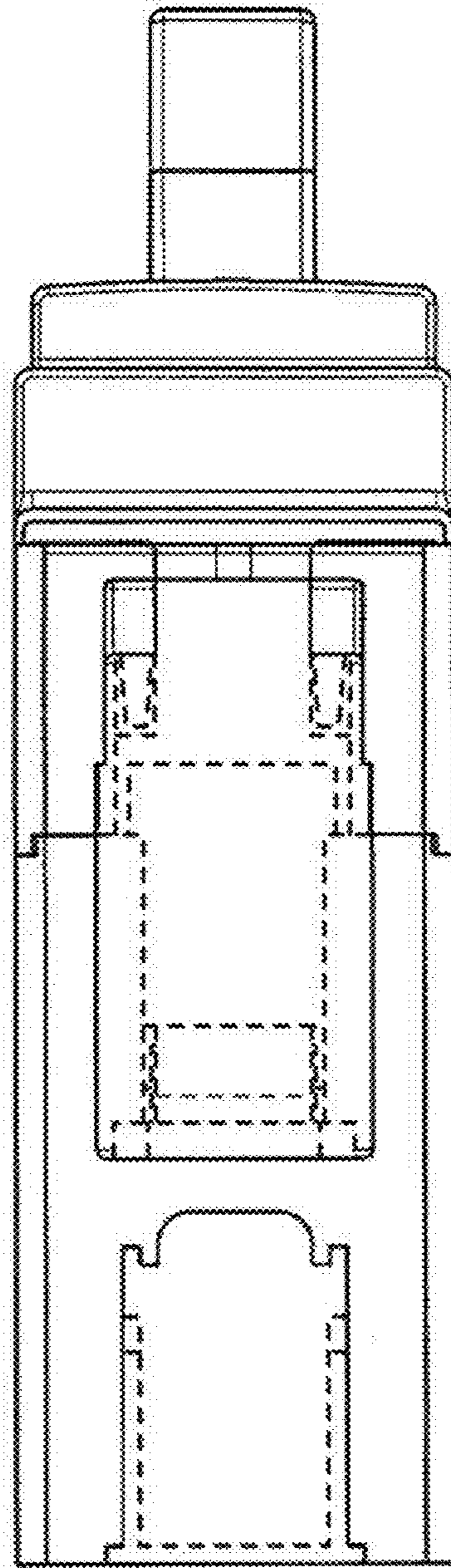


Fig. 5

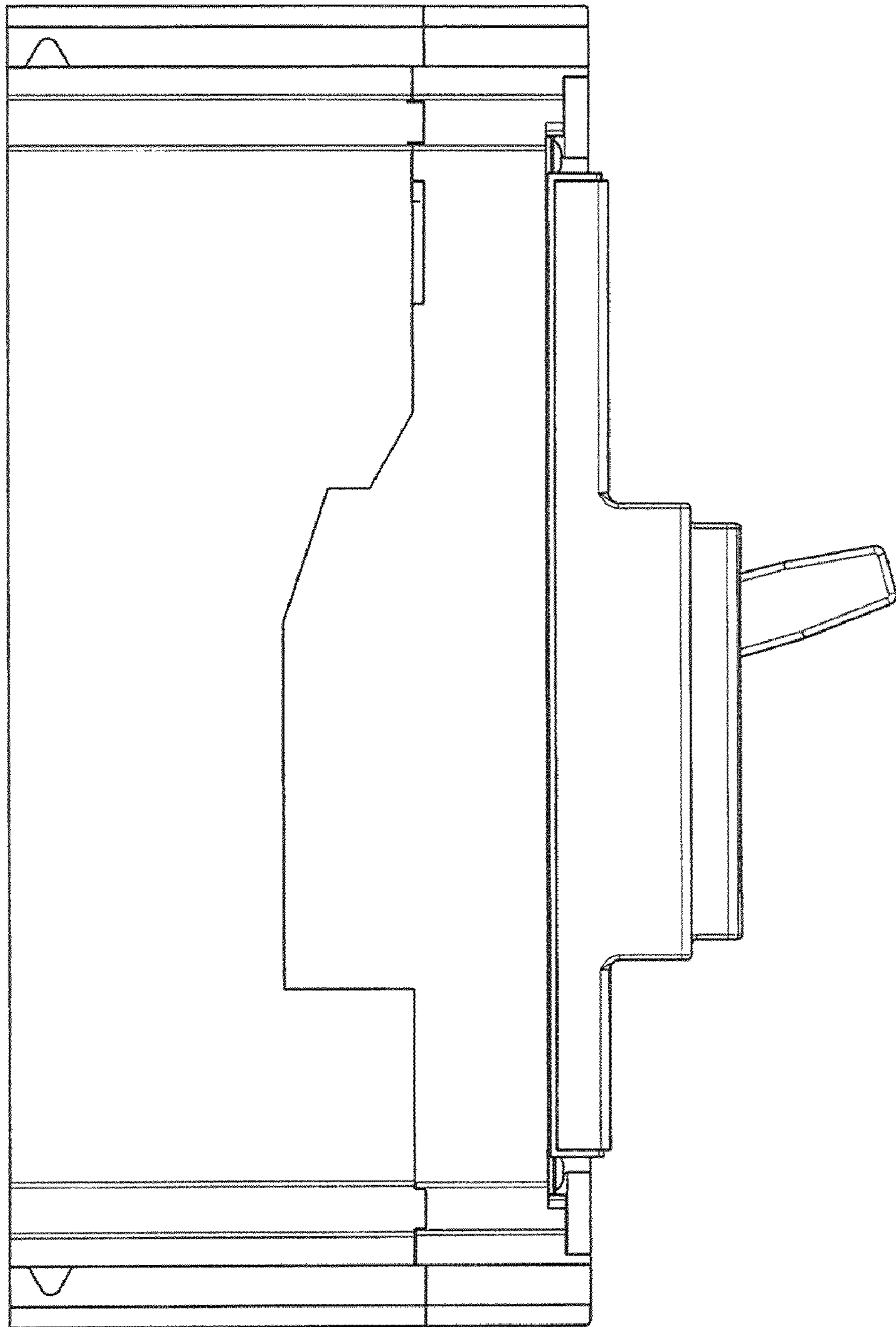


Fig. 6

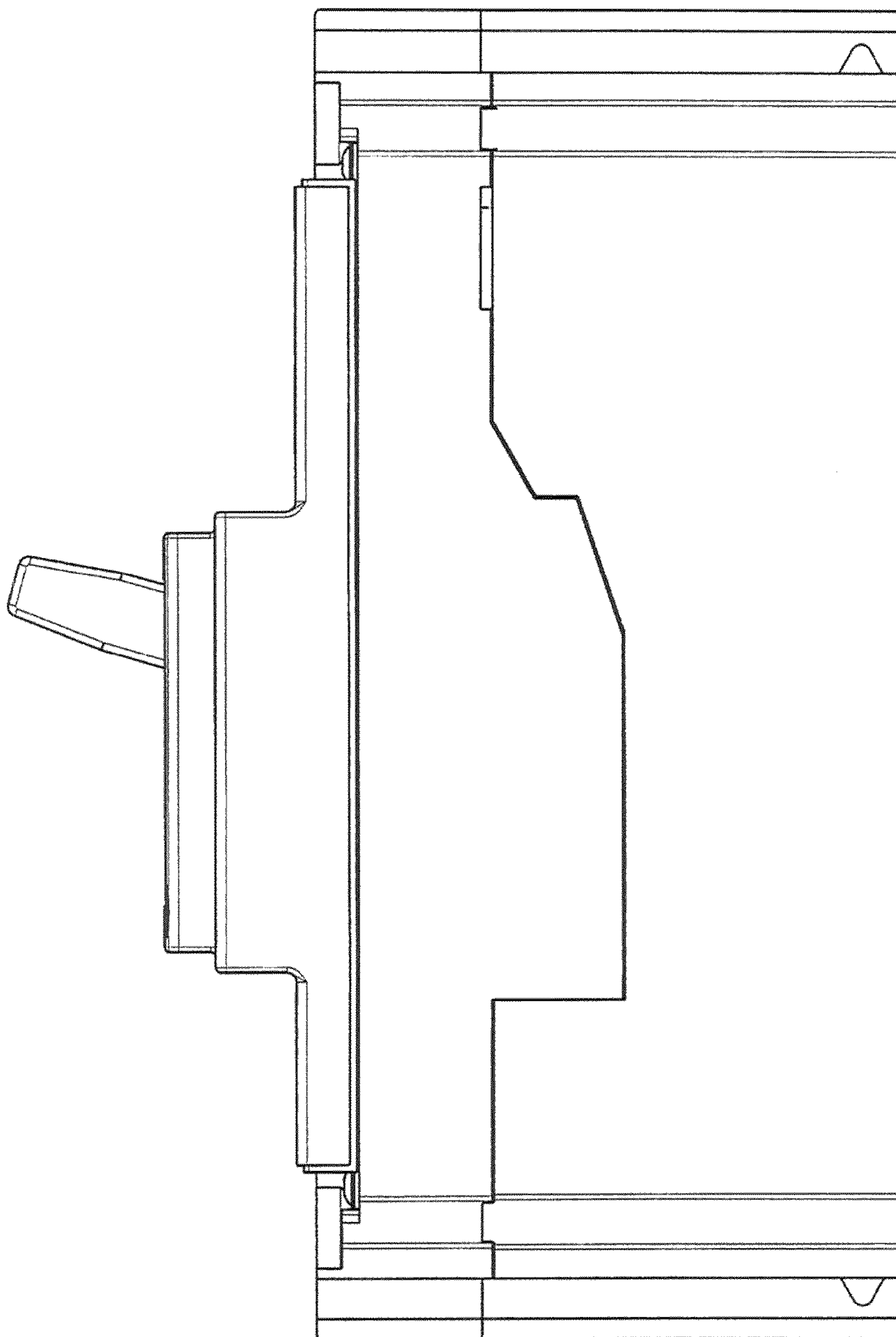


Fig. 7

UNITED STATES PATENT AND TRADEMARK OFFICE
CERTIFICATE OF CORRECTION

PATENT NO. : D633,446 S
APPLICATION NO. : 29/341449
DATED : March 1, 2011
INVENTOR(S) : Stefano Besana et al.

Page 1 of 1

It is certified that error appears in the above-identified patent and that said Letters Patent is hereby corrected as shown below:

On the Title Page, please add Item (30):

-- Foreign Application Priority Document

(30) Foreign priority documents EM 001083992, filed February 06, 2009. --

In the Specifications:

At column 1, line 3, please add the following:

**-- The instant application claims priority to foreign priority document EM 001083992,
filed February 6, 2009. --**

Signed and Sealed this
Fourteenth Day of May, 2013



Teresa Stanek Rea
Acting Director of the United States Patent and Trademark Office