



US00D633445S

(12) **United States Design Patent**  
**Christiansen**

(10) **Patent No.:** **US D633,445 S**  
(45) **Date of Patent:** **\*\* Mar. 1, 2011**

(54) **CONNECTOR WITH GFCI**

D605,143 S \* 12/2009 Von Arx et al. .... D13/184  
7,632,159 B2 \* 12/2009 Nelson ..... 439/813

(75) Inventor: **Leif Christiansen**, Sonderborg (DK)

\* cited by examiner

(73) Assignee: **OJ Electronics A/S**, Sonderborg (DK)

*Primary Examiner*—Daniel D Bui

(\*\*) Term: **14 Years**

(74) *Attorney, Agent, or Firm*—Fish & Richardson P.C.

(21) Appl. No.: **29/337,721**

(57) **CLAIM**

(22) Filed: **May 28, 2009**

The ornamental design for a connector with GFCI, as shown and described.

(51) **LOC (9) Cl.** ..... **13-03**

(52) **U.S. Cl.** ..... **D13/147**

(58) **Field of Classification Search** ..... D13/110,  
D13/118, 123, 126, 147, 156, 184; 439/810-813,  
439/778-780, 793

See application file for complete search history.

**DESCRIPTION**

(56) **References Cited**

**U.S. PATENT DOCUMENTS**

- D318,850 S \* 8/1991 Matsumoto et al. .... D13/147
- 5,414,395 A \* 5/1995 Garnto et al. .... 335/18
- D409,569 S \* 5/1999 Francis ..... D13/147
- D573,090 S \* 7/2008 Savolainen et al. .... D13/110
- D585,838 S \* 2/2009 Tiedemann et al. .... D13/158

FIG. 1 is a top perspective view of a connector with GFCI according to my new and ornamental design;  
 FIG. 2 is a bottom perspective view thereof;  
 FIG. 3 is a top plan view thereof;  
 FIG. 4 is a left side elevation view thereof;  
 FIG. 5 is a front elevation view thereof;  
 FIG. 6 is a right side elevation view thereof;  
 FIG. 7 is a bottom plan view thereof; and,  
 FIG. 8 is a back elevation view thereof.

**1 Claim, 3 Drawing Sheets**

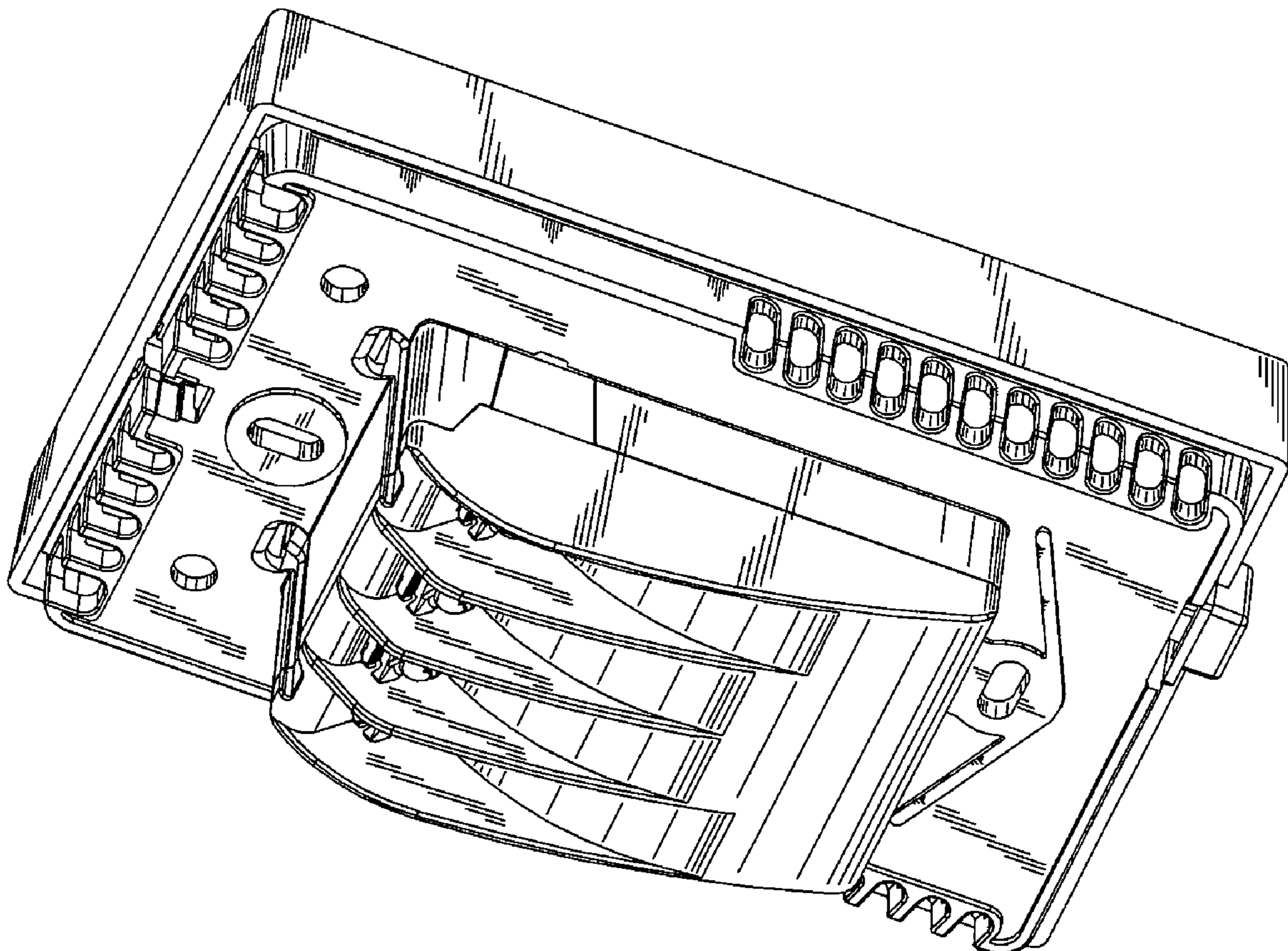


Fig. 1

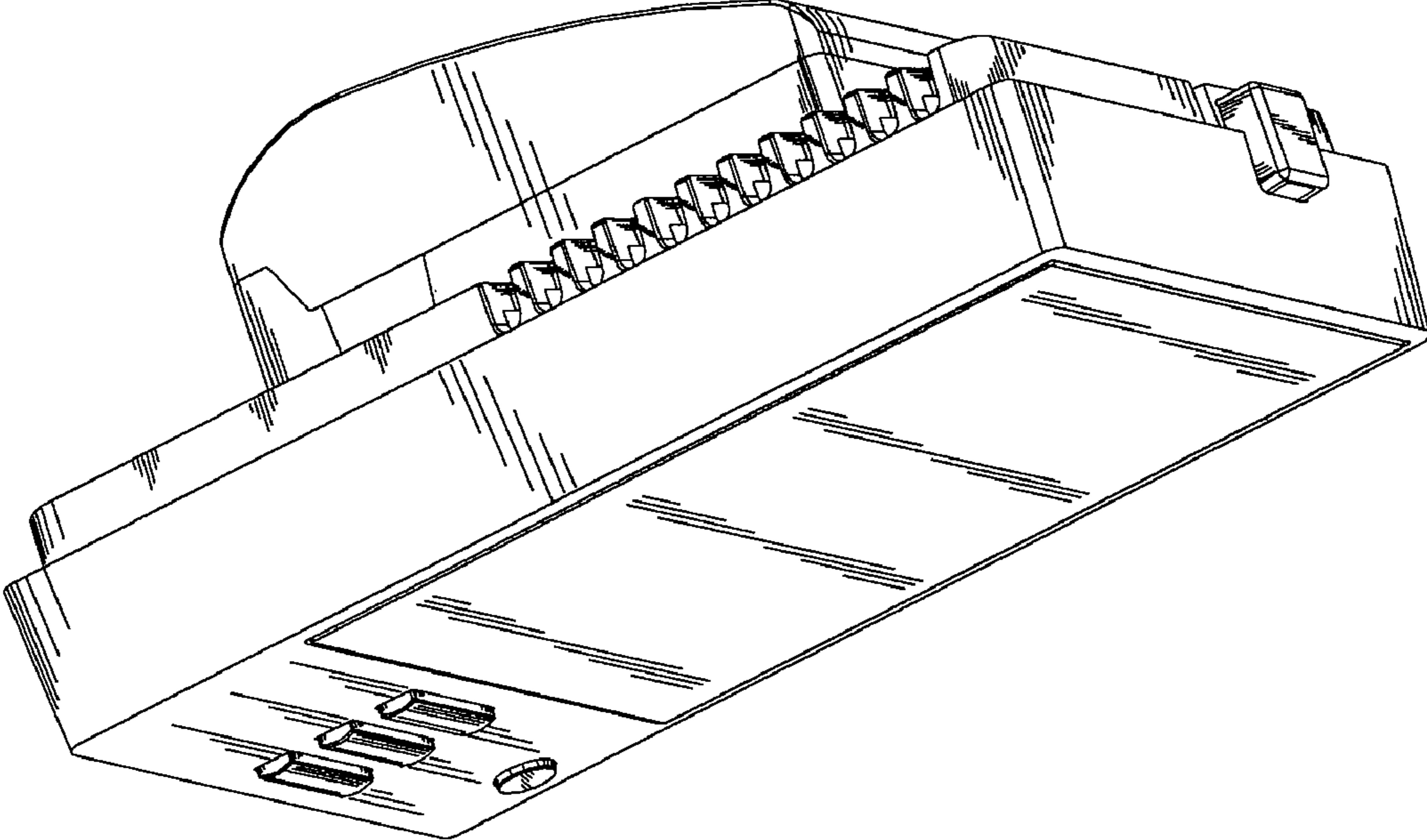


Fig. 2

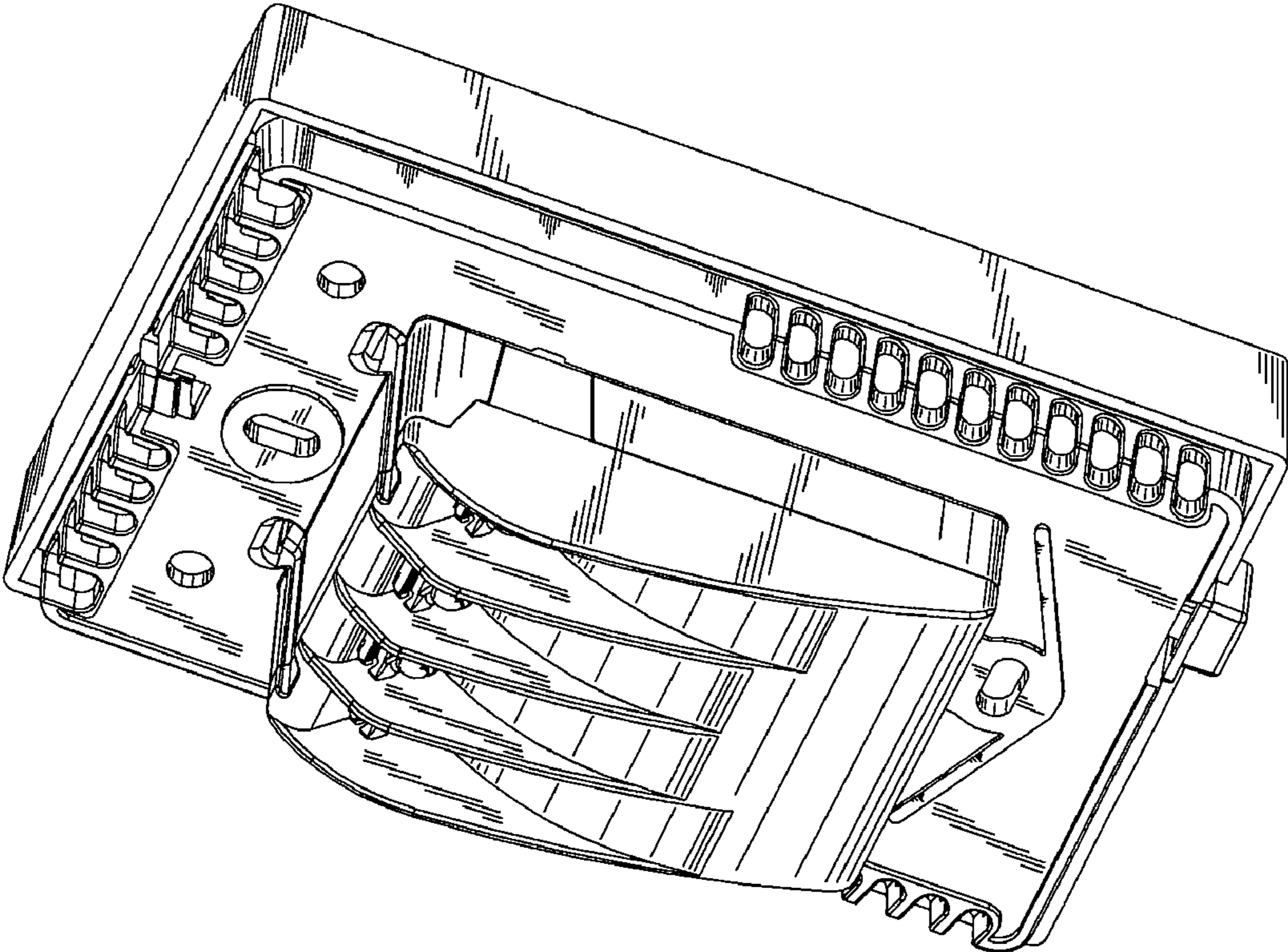


Fig. 3

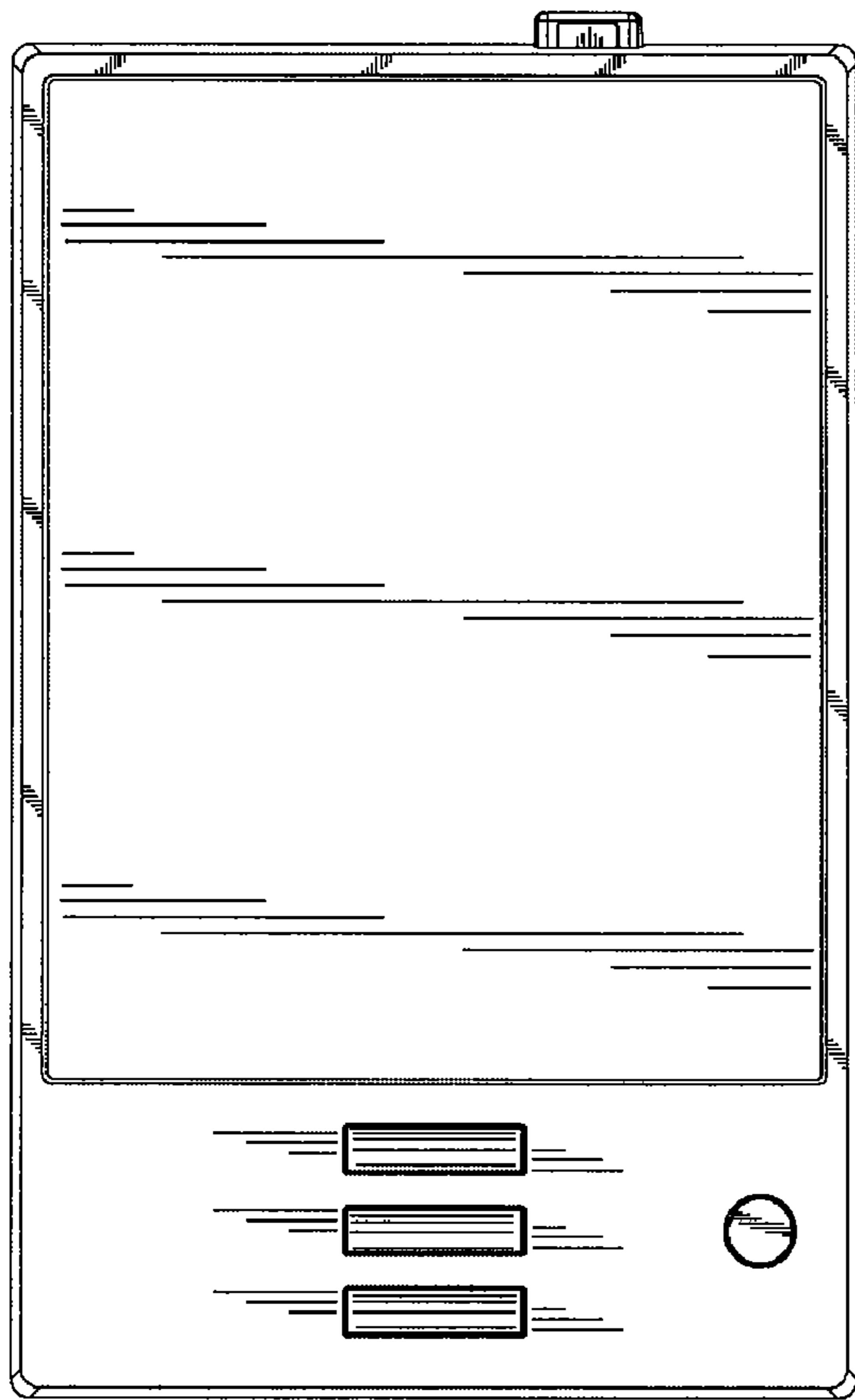


Fig. 4

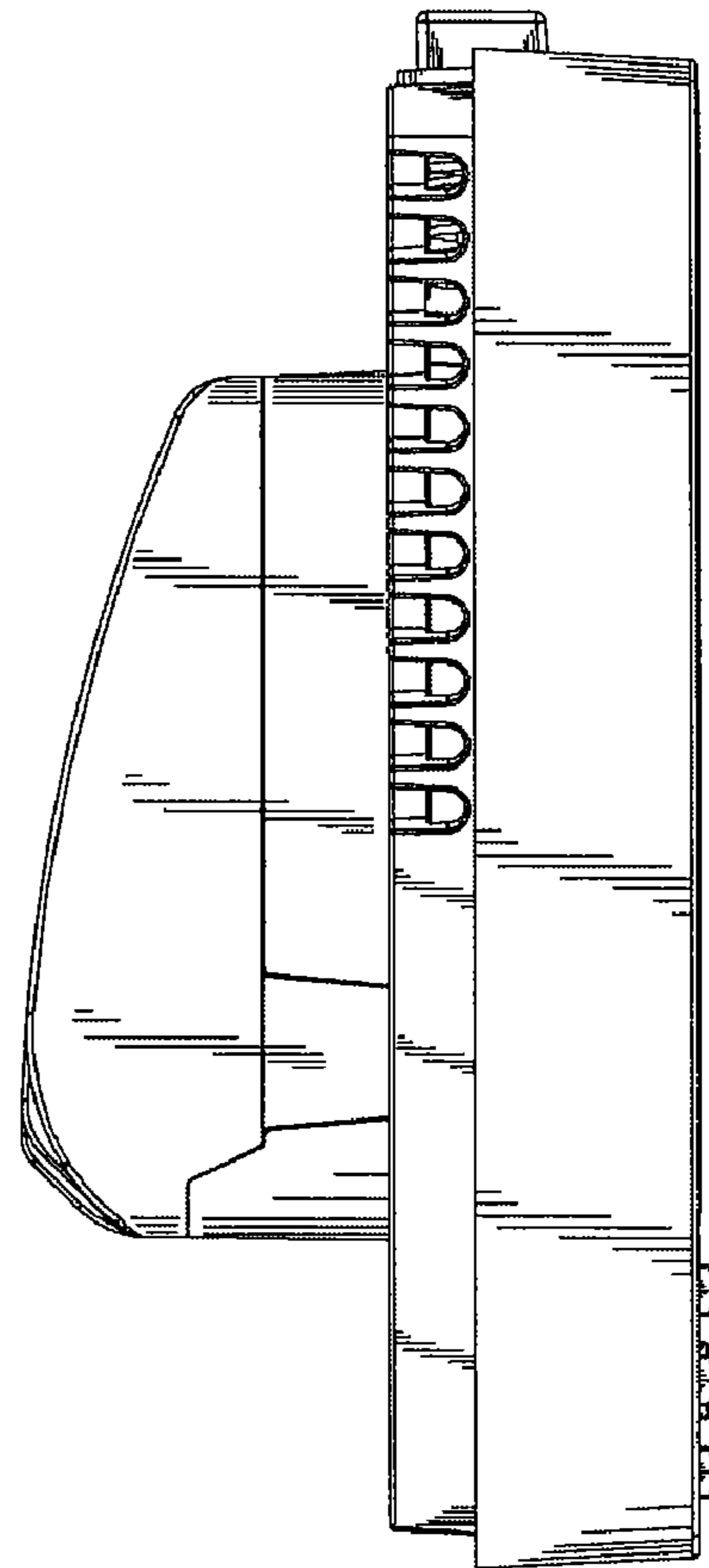


Fig. 5

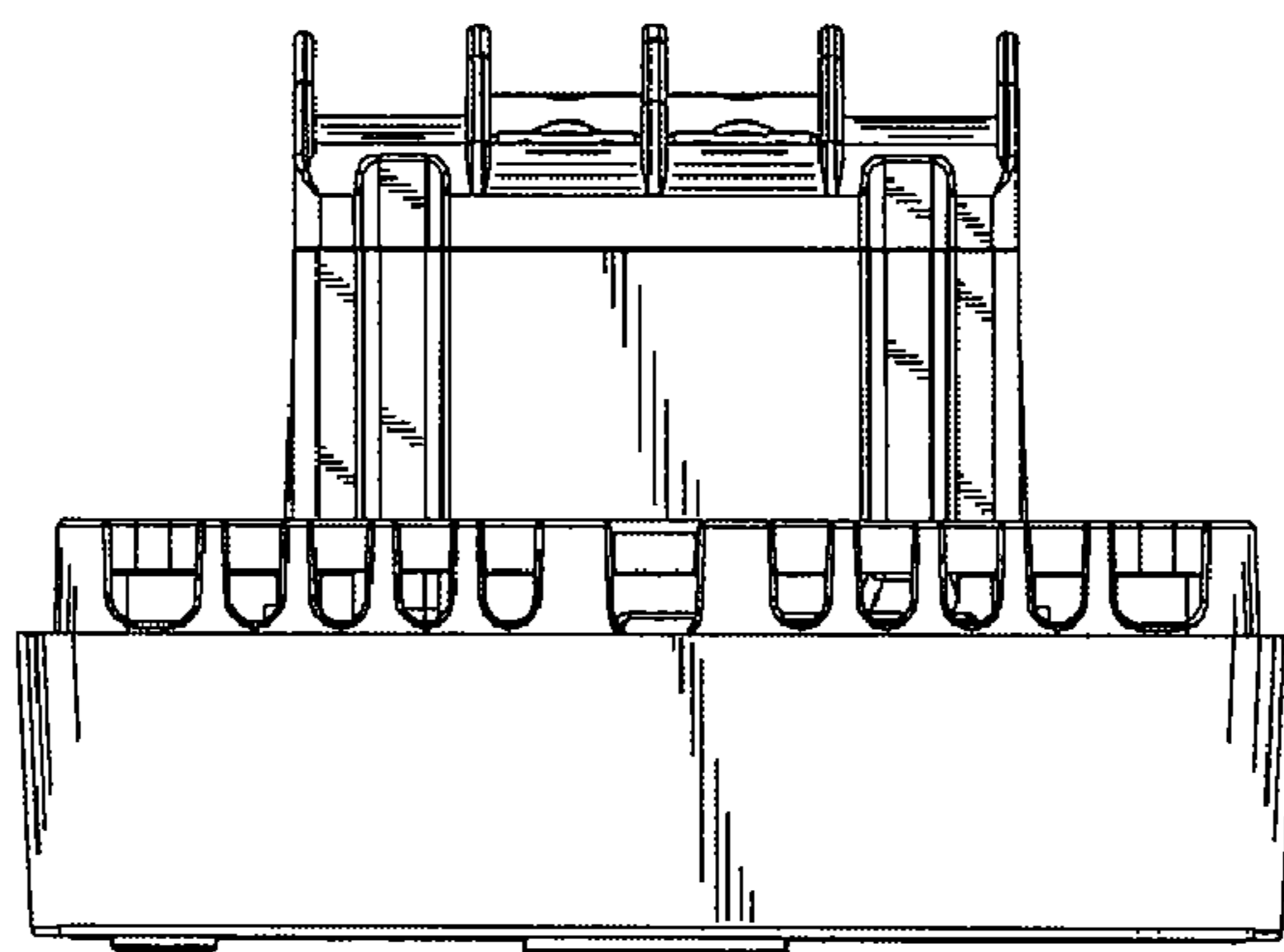


Fig. 6

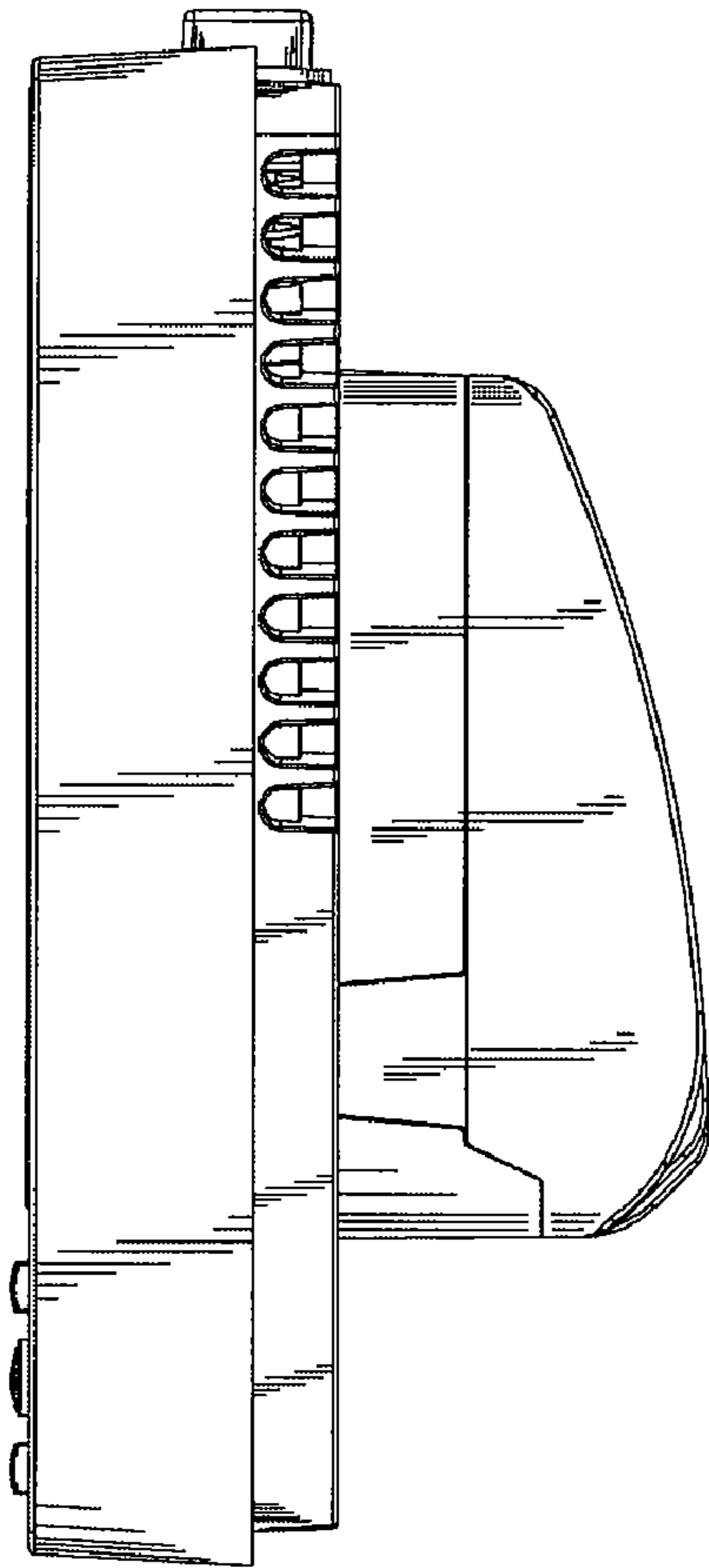


Fig. 7

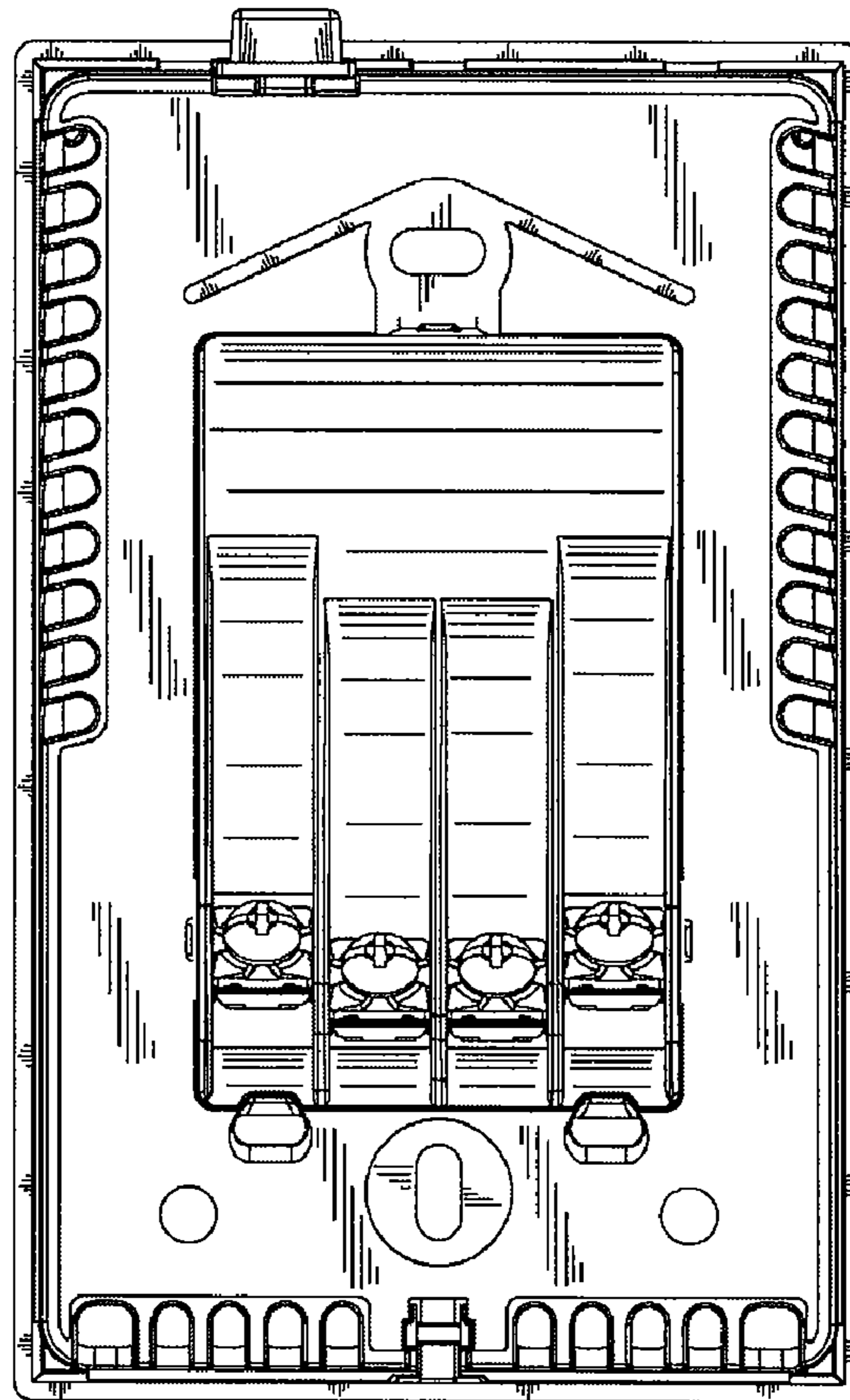


Fig. 8

