



US00D633444S

(12) **United States Design Patent**  
**Chau et al.**

(10) **Patent No.:** **US D633,444 S**  
(45) **Date of Patent:** **\*\* Mar. 1, 2011**

(54) **STARTER**

7,576,461 B2 \* 8/2009 Wong et al. .... 310/89

(75) Inventors: **Ming Wai Chau**, Hong Kong (CN);  
**Kam Sum Wong**, Hong Kong (CN); **Yao Liang Gao**, Shenzhen (CN)

\* cited by examiner

*Primary Examiner*—Thomas J Johannes  
(74) *Attorney, Agent, or Firm*—Muncy, Geissler, Olds & Lowe, PLLC

(73) Assignee: **Johnson Electric S.A.**, Murten (CH)

(\*\*) Term: **14 Years**

(57) **CLAIM**

(21) Appl. No.: **29/360,249**

The ornamental design for a starter, as shown and described.

(22) Filed: **Apr. 22, 2010**

**DESCRIPTION**

(30) **Foreign Application Priority Data**

FIG. 1 is a front elevational view of a starter showing our new design;

Oct. 30, 2009 (CN) ..... 2009 3 0170494

FIG. 2 is a rear elevational view thereof;

(51) **LOC (9) Cl.** ..... **13-03**

FIG. 3 is a top plan view thereof;

(52) **U.S. Cl.** ..... **D13/126**

FIG. 4 is a bottom plan view thereof;

(58) **Field of Classification Search** ..... D13/101,  
D13/112, 113, 118, 122–126, 133, 154, 184,  
D13/199; D15/5; 310/75 R, 89; 476/42  
See application file for complete search history.

FIG. 5 is a right side elevational view thereof;

FIG. 6 is a left side elevational view thereof;

FIG. 7 is a view from the front, right side and above thereof;  
and,

(56) **References Cited**

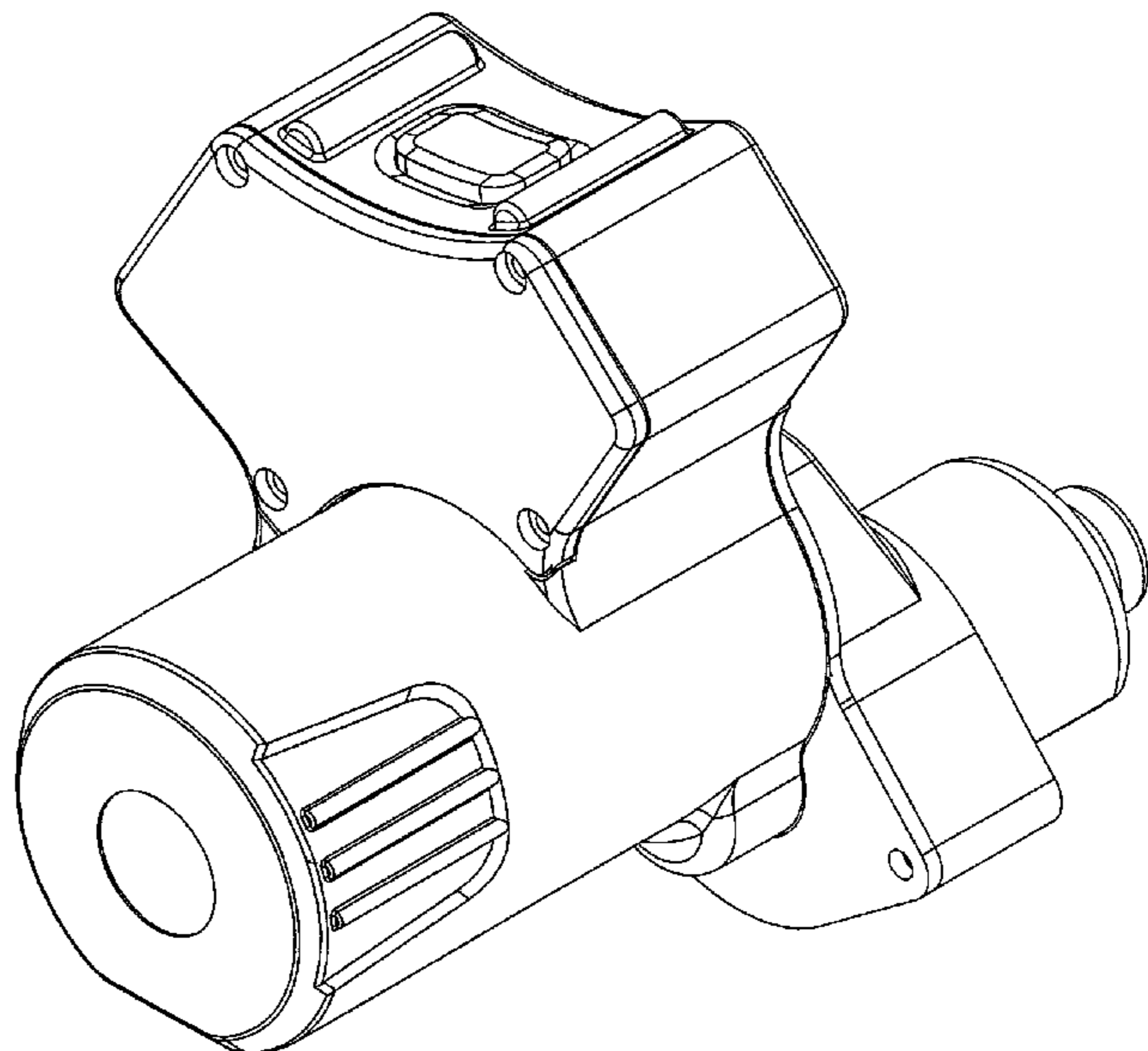
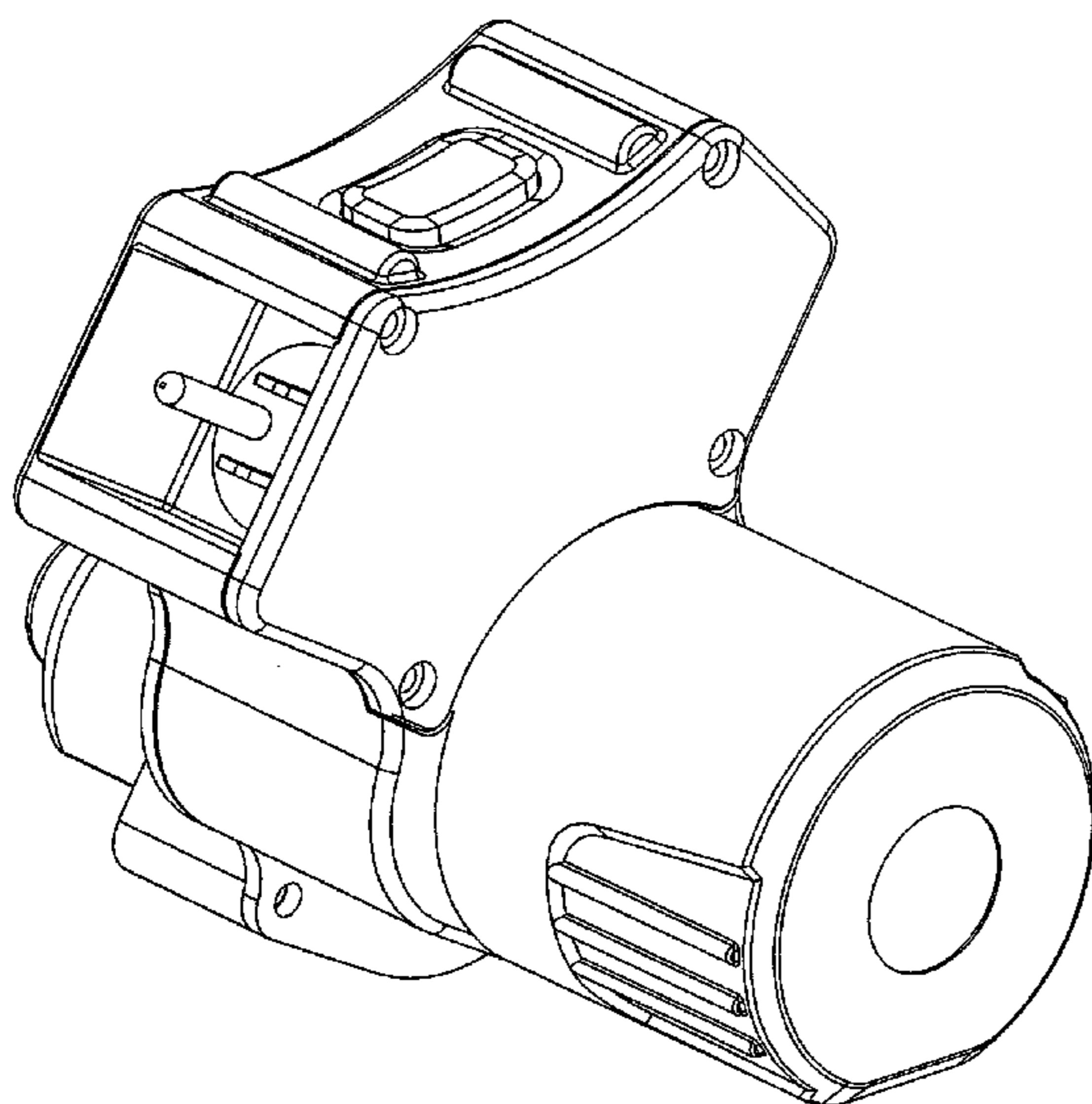
FIG. 8 is a view from the rear, right side and above thereof.

**U.S. PATENT DOCUMENTS**

The broken line portion of the figure drawings is included to show unclaimed subject matter only and forms no part of the claimed design.

D262,366 S \* 12/1981 Davis et al. .... D13/166  
D331,387 S \* 12/1992 Burns ..... D13/158  
D511,138 S \* 11/2005 Kwan ..... D13/112  
D528,981 S \* 9/2006 Bennett et al. .... D13/113

**1 Claim, 8 Drawing Sheets**



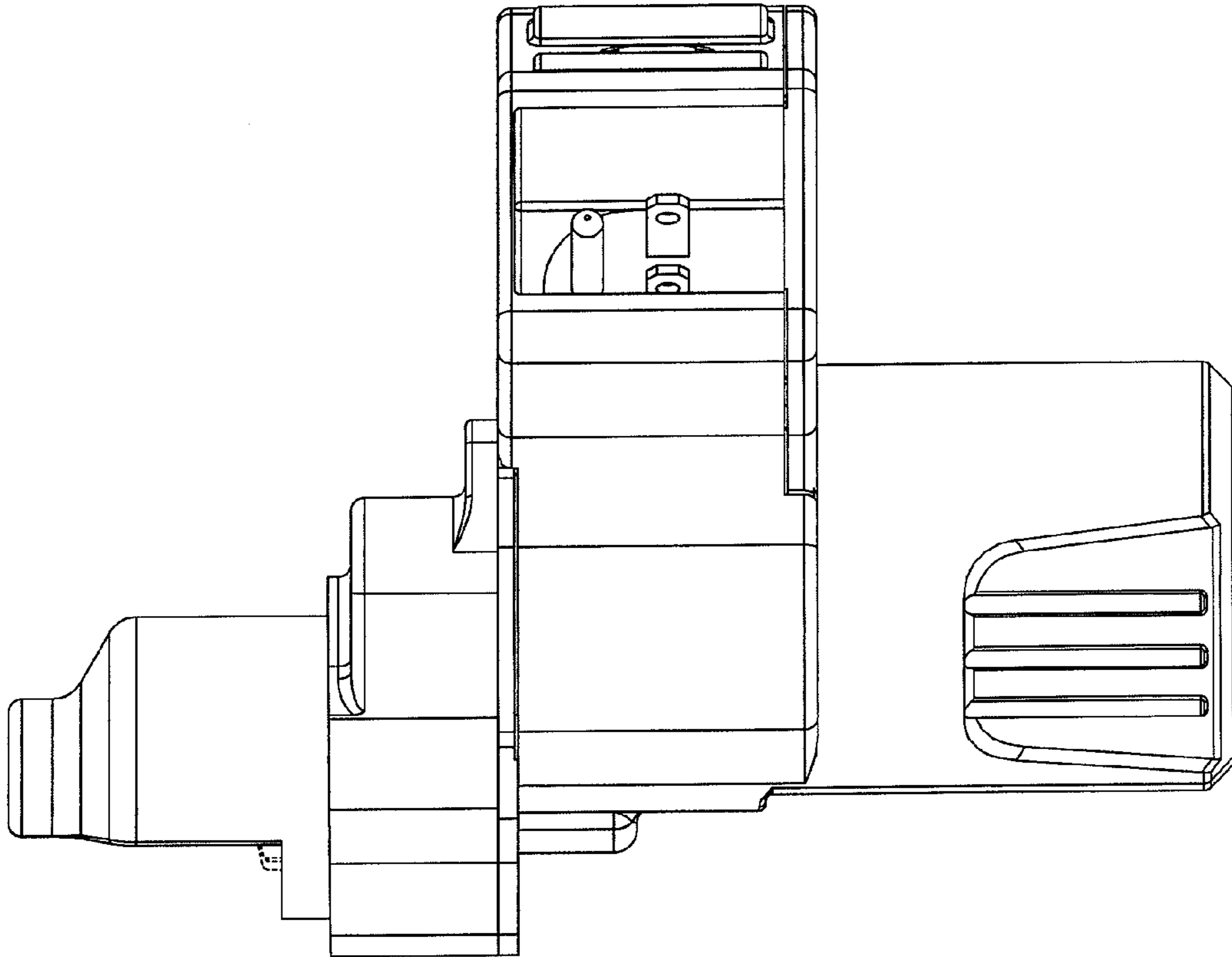


FIG. 1

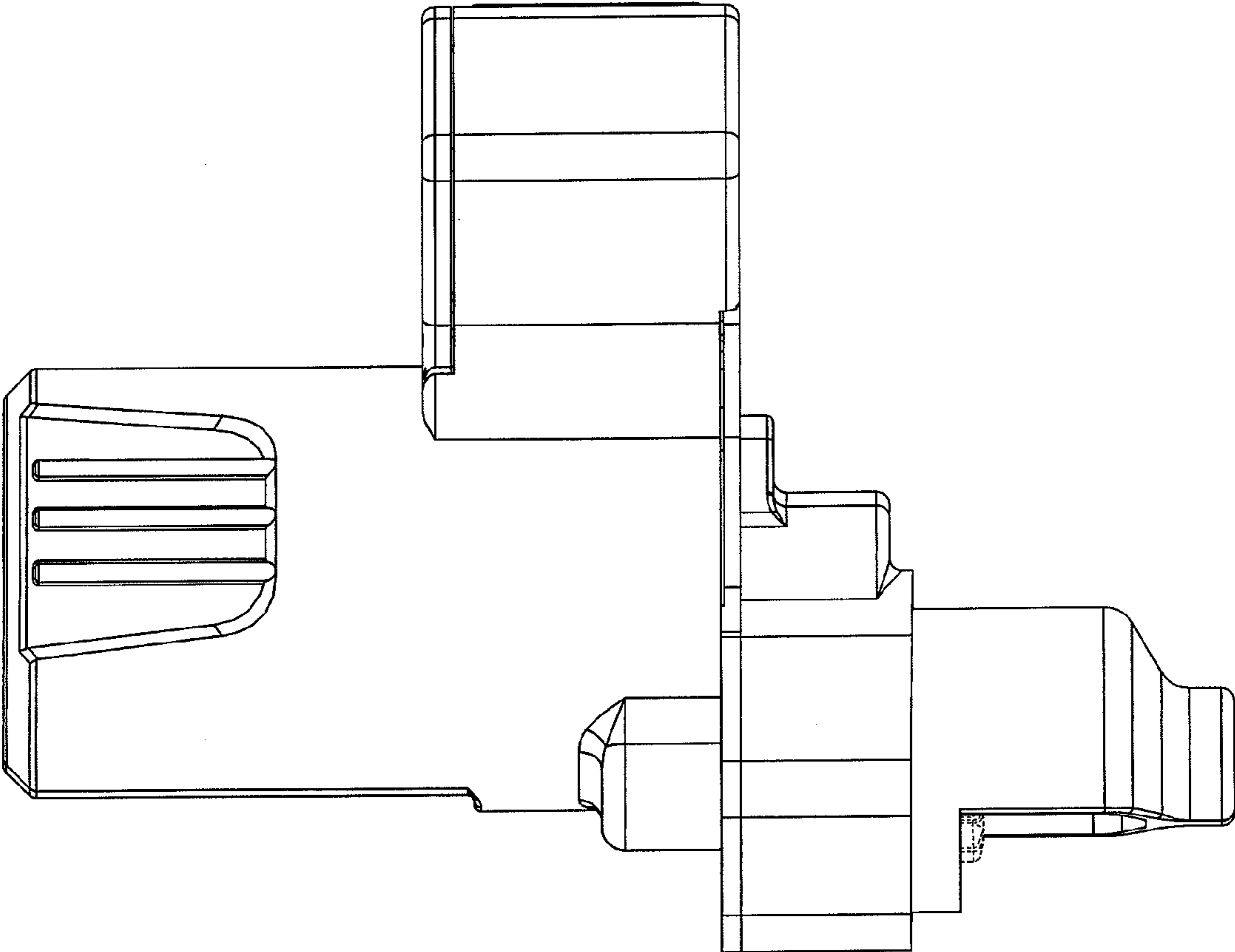


FIG. 2

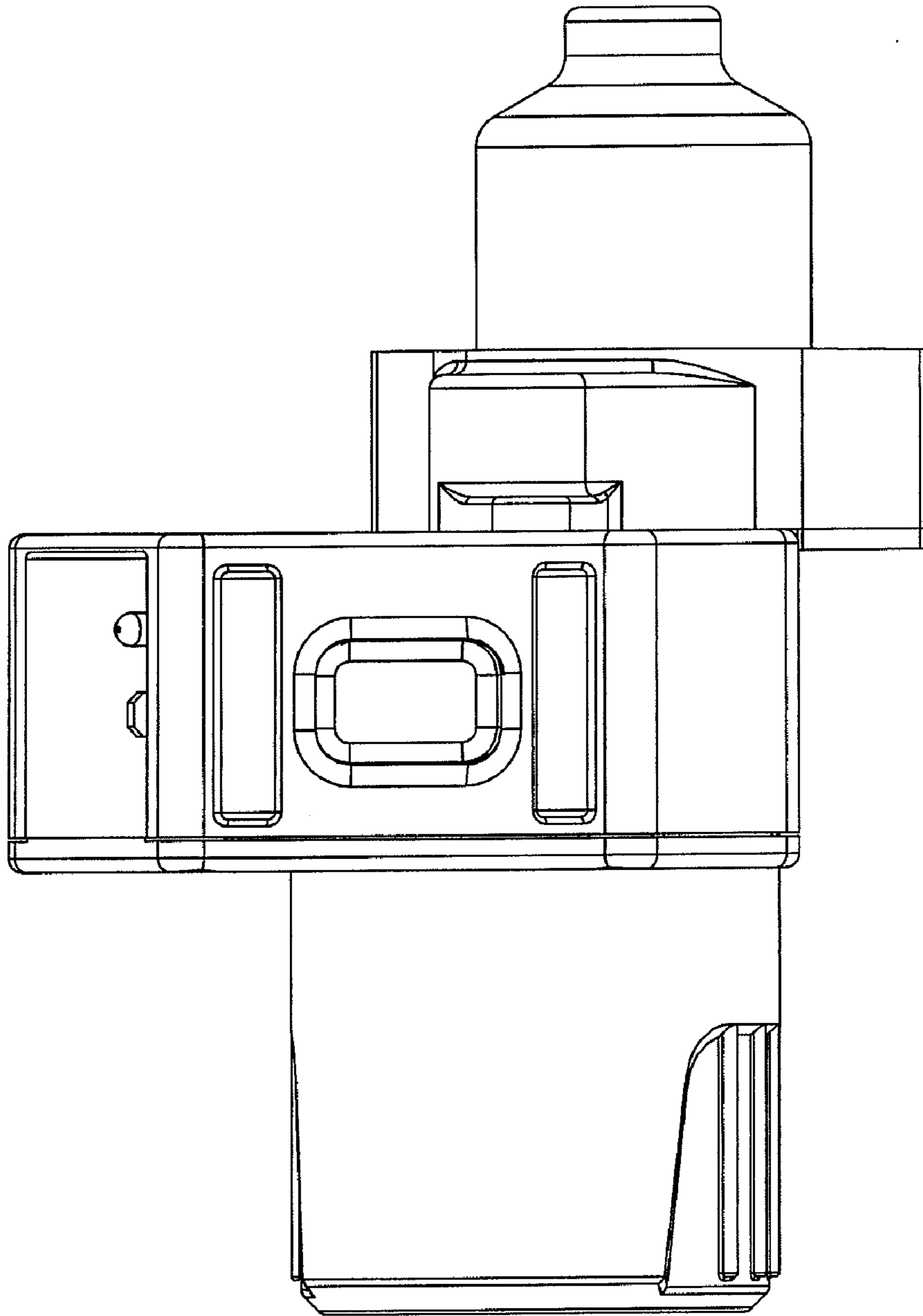


FIG. 3

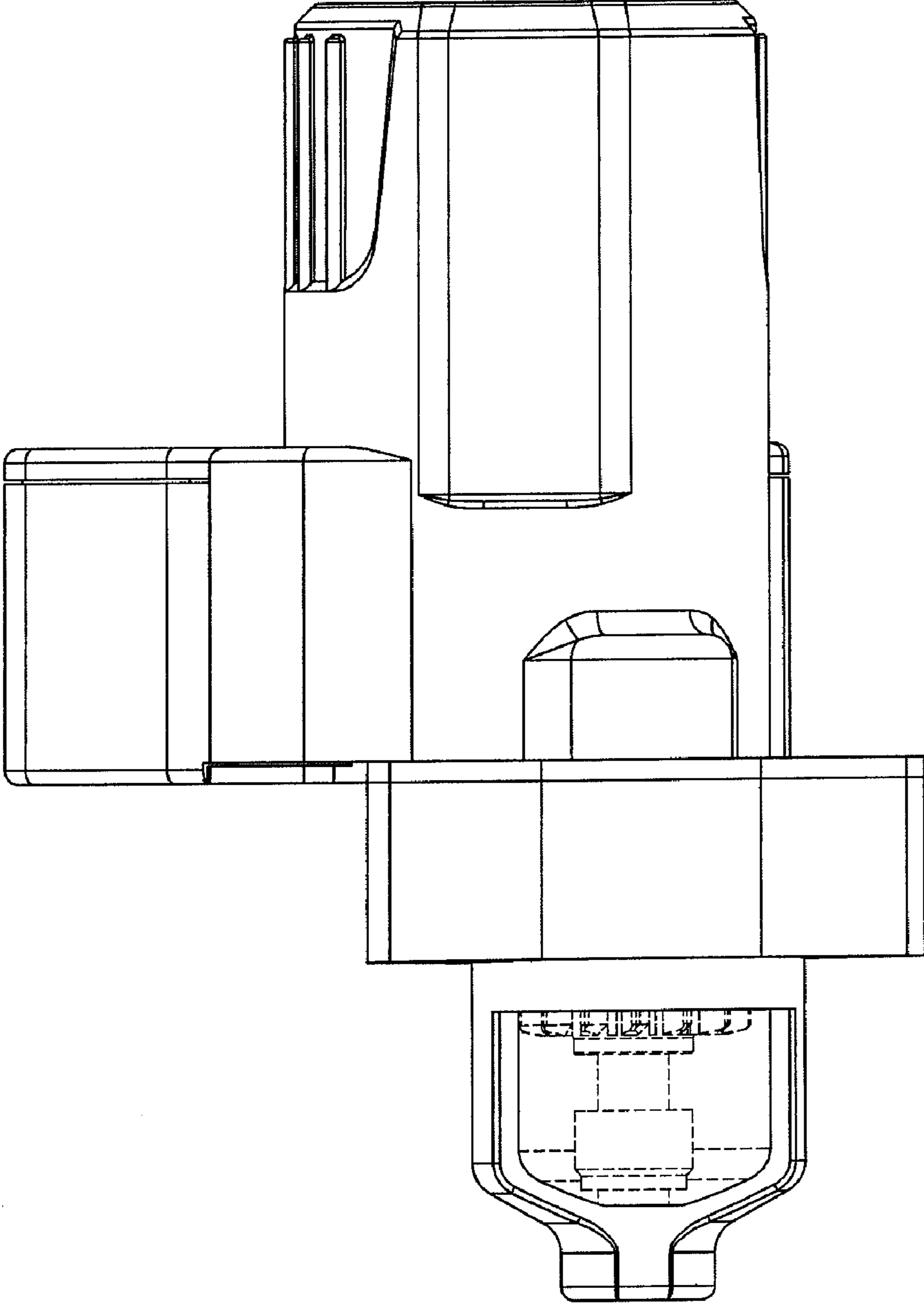


FIG. 4

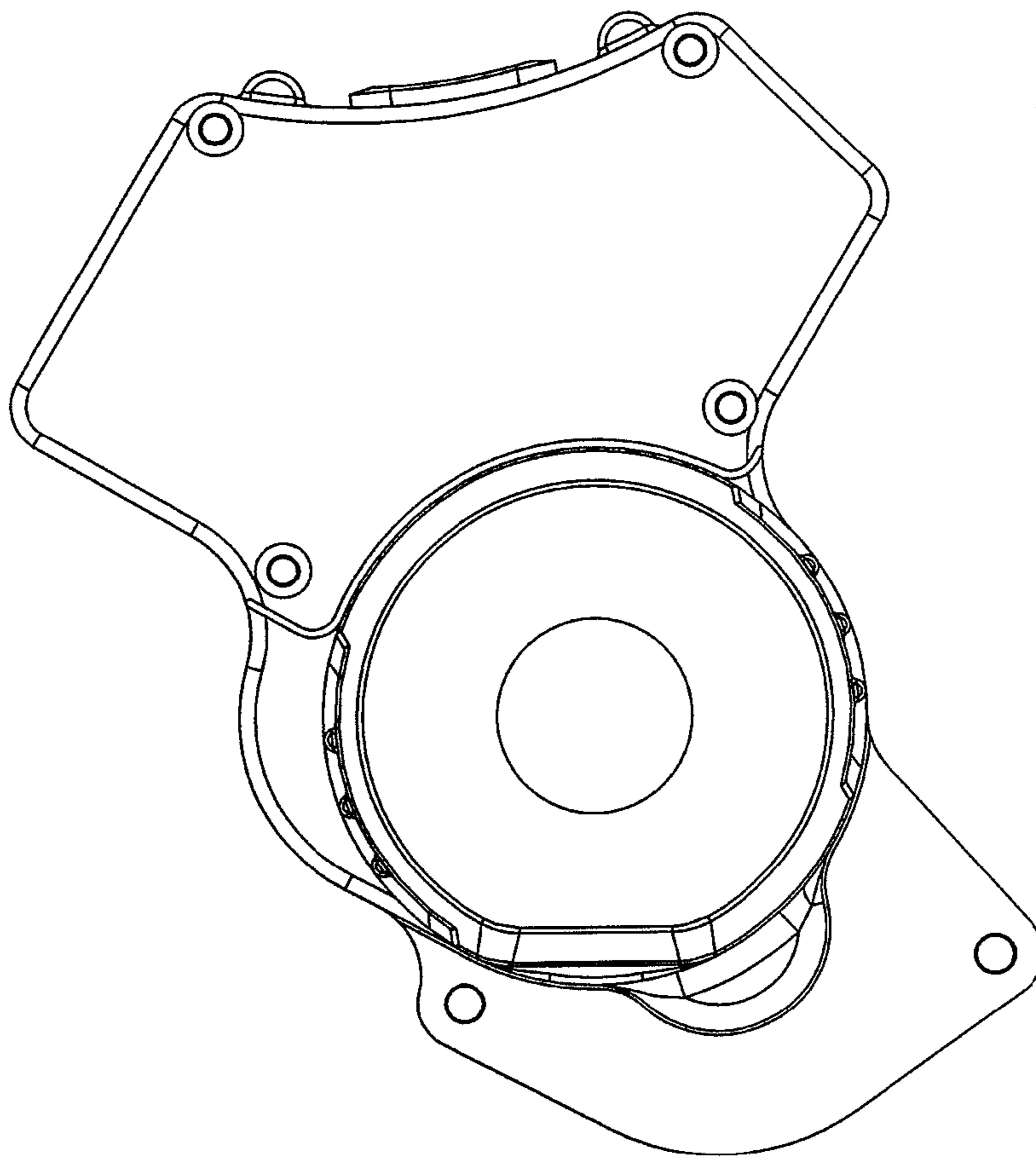


FIG. 5

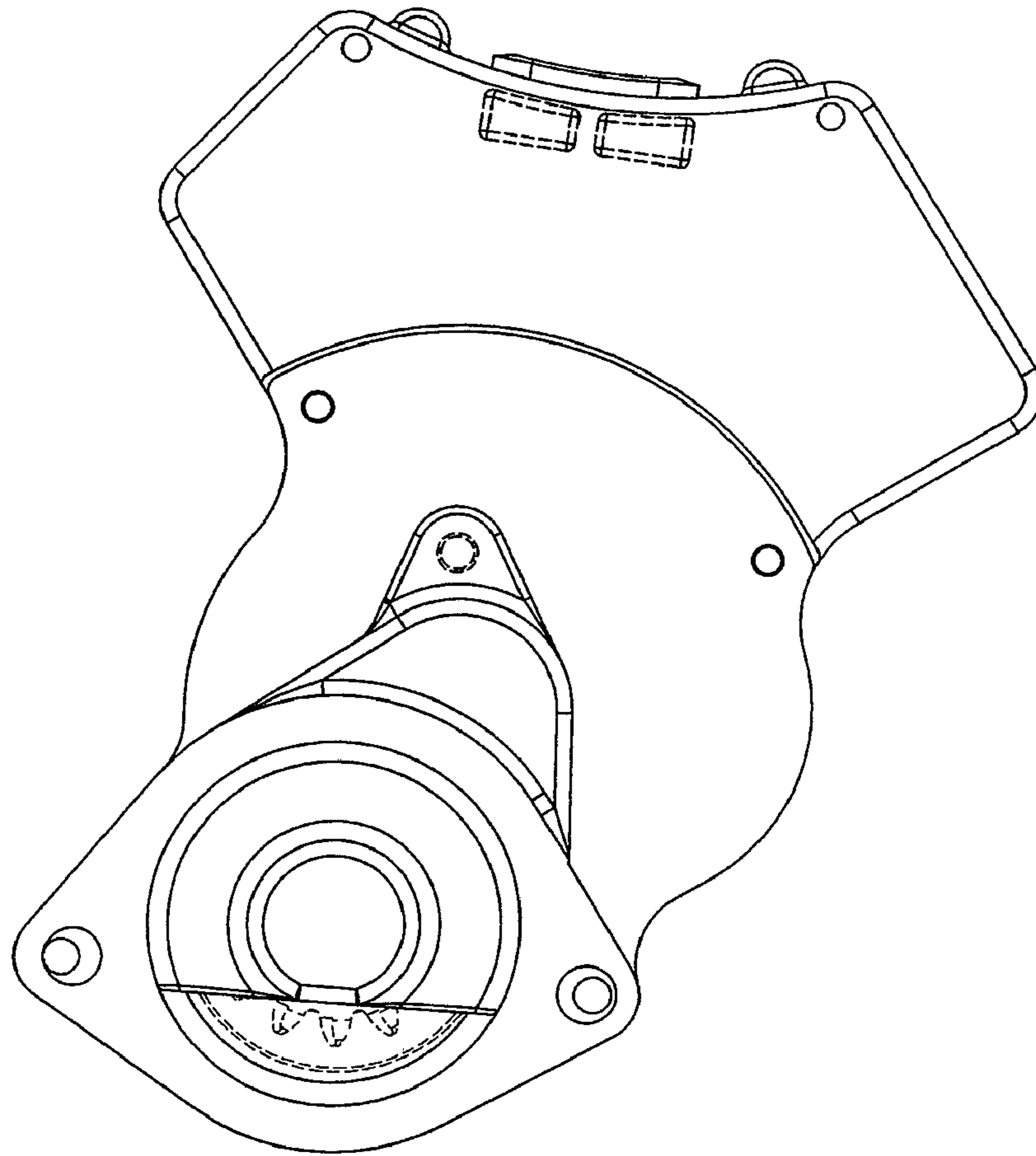


FIG. 6



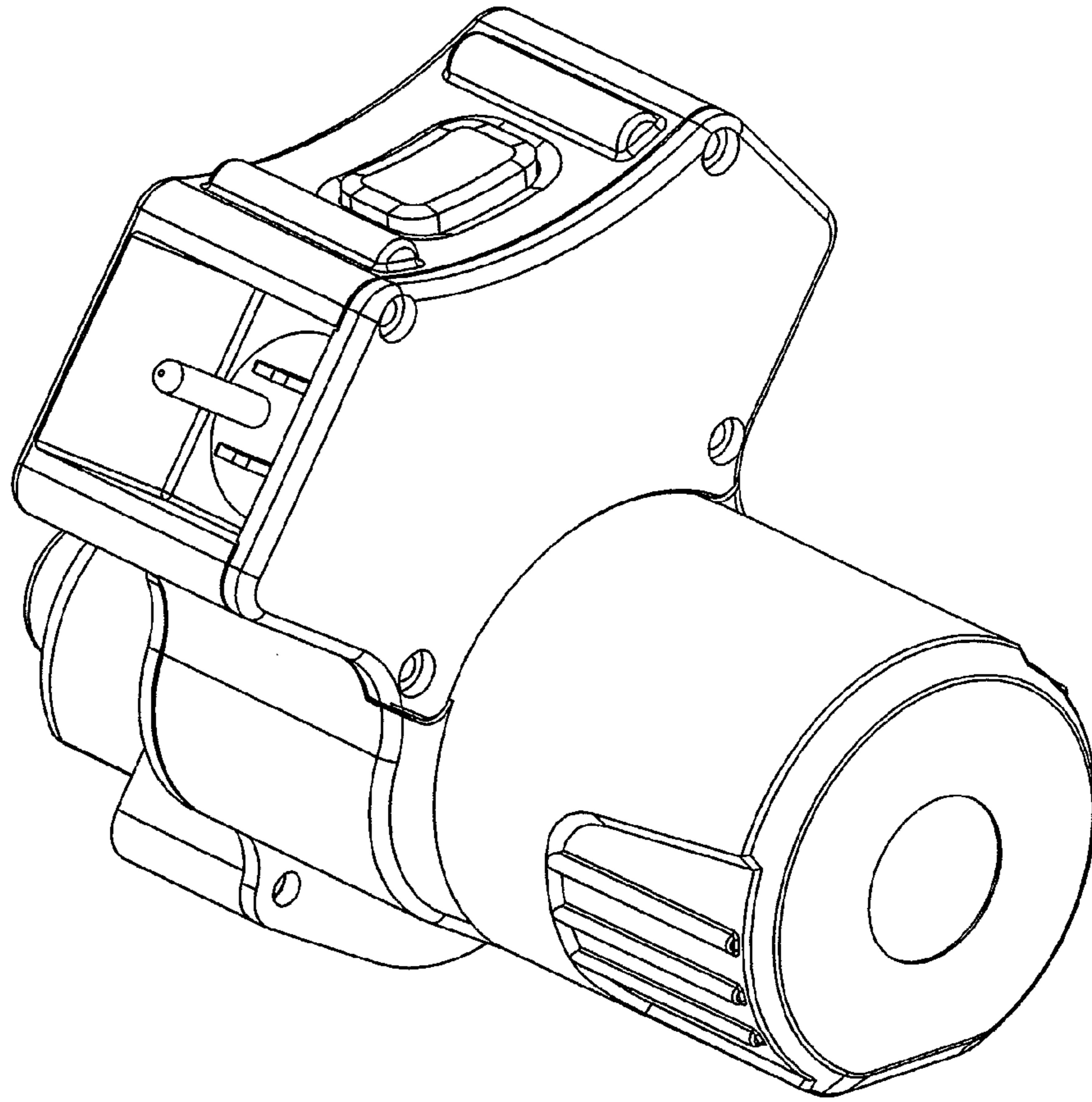


FIG. 7



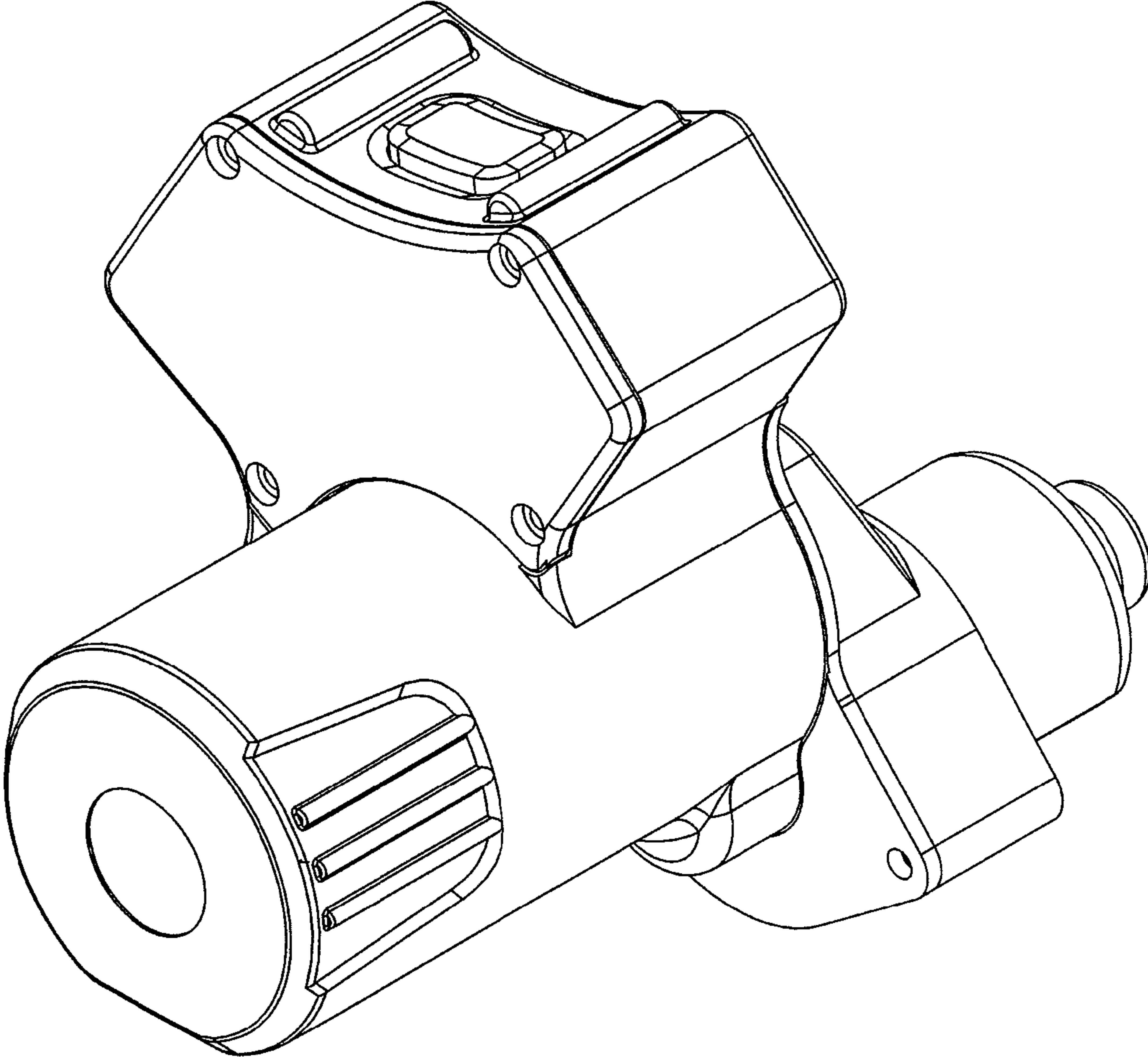


FIG. 8