



US00D633442S

(12) **United States Design Patent**
Charleux

(10) **Patent No.:** **US D633,442 S**
(45) **Date of Patent:** **** Mar. 1, 2011**

(54) **EQUIPMENT FOR CONTROL OF ELECTRIC POWER**

D552,643 S * 10/2007 Bonomi D15/199
D558,683 S * 1/2008 Pape et al. D13/158
D578,147 S * 10/2008 Fukano et al. D15/143

(75) Inventor: **Olivier Charleux**, Thonon les Bains (FR)

* cited by examiner

(73) Assignee: **Somfy SAS**, Cluses (FR)

Primary Examiner—Prabhakar Deshmukh

Assistant Examiner—Derrick Holland

(**) Term: **14 Years**

(74) *Attorney, Agent, or Firm*—Frommer Lawrence & Haug LLP; Ronald R. Santucci

(21) Appl. No.: **29/360,564**

(57) **CLAIM**

(22) Filed: **Apr. 28, 2010**

The ornamental design of an equipment for control of electric power, as shown and described.

(30) **Foreign Application Priority Data**

Oct. 29, 2009 (WO) DM/072 500

DESCRIPTION

(51) **LOC (9) Cl.** **13-02**

FIG. 1 is a perspective view of the equipment for control of electric power;

(52) **U.S. Cl.** **D13/110**

FIG. 2 is a rear elevational view thereof;

(58) **Field of Classification Search** D13/110,
D13/101, 123, 158, 182, 184, 199; D15/143,
D15/199; 307/126, 139, 142, 143, 150, 151;
310/10, 20, 27, 31, 80

FIG. 3 is a front elevational view thereof;

FIG. 4 is a left side view thereof;

See application file for complete search history.

FIG. 5 is a right side view thereof;

FIG. 6 is a top plan view thereof; and,

FIG. 7 is a bottom plan view thereof.

(56) **References Cited**

U.S. PATENT DOCUMENTS

D341,124 S * 11/1993 Krokauger D13/123
D355,887 S * 2/1995 Rodeffer et al. D13/110
D389,808 S * 1/1998 Yamada et al. D13/182
D466,076 S * 11/2002 Nagashima et al. D13/110

The broken lines shown in the figures are for the purpose of illustrating environmental structure and form no part of the claimed design.

1 Claim, 3 Drawing Sheets

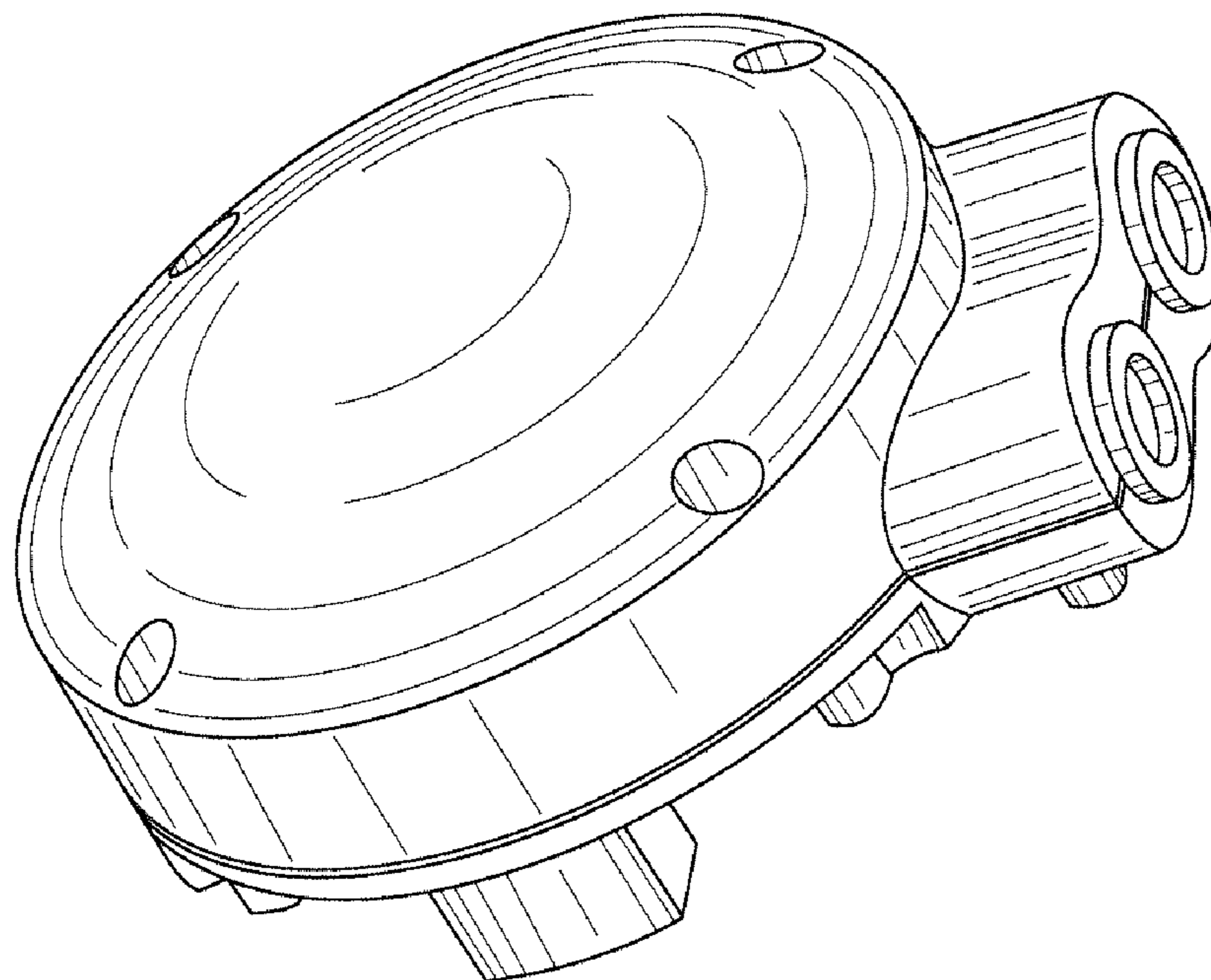


Fig.1

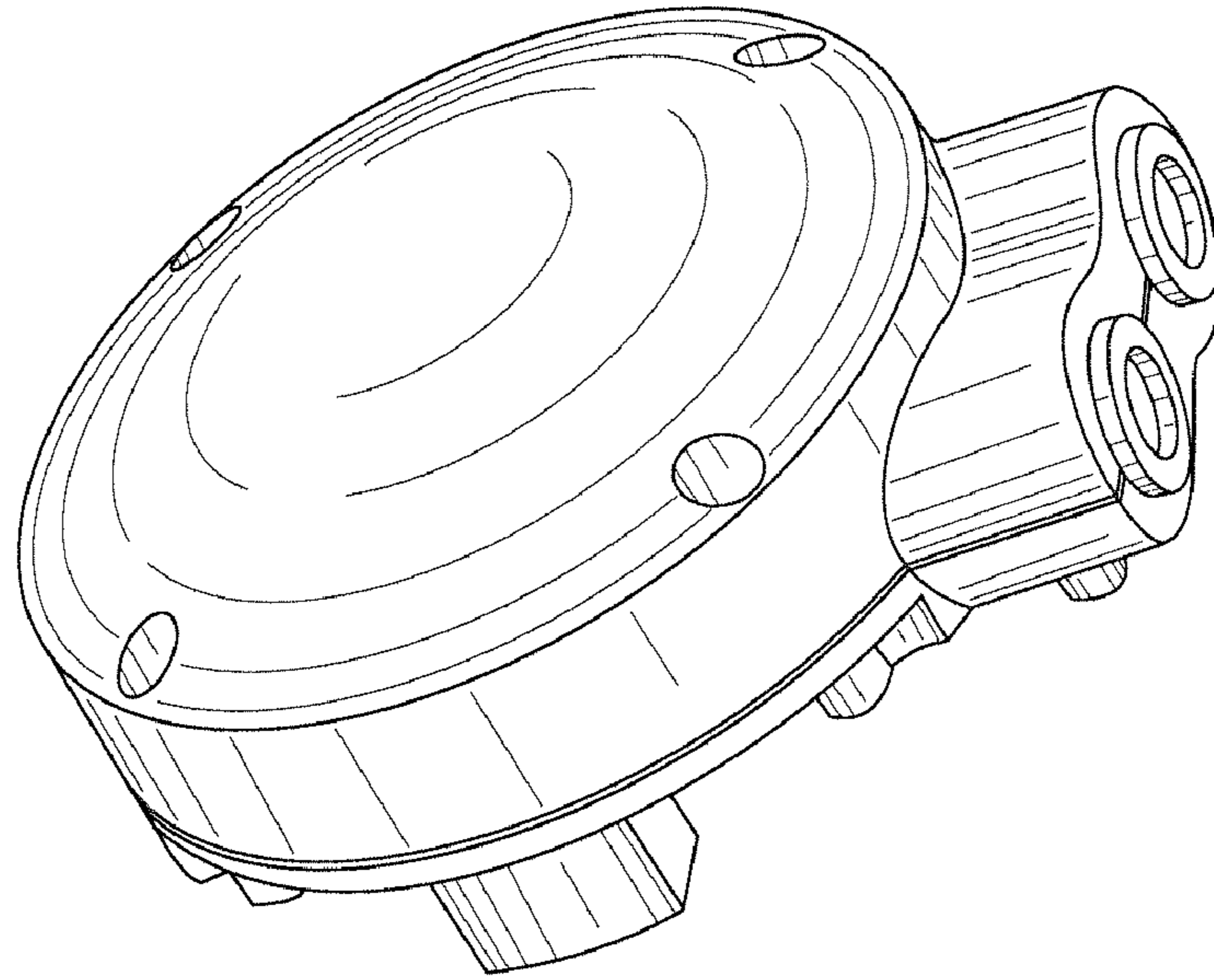


Fig.2

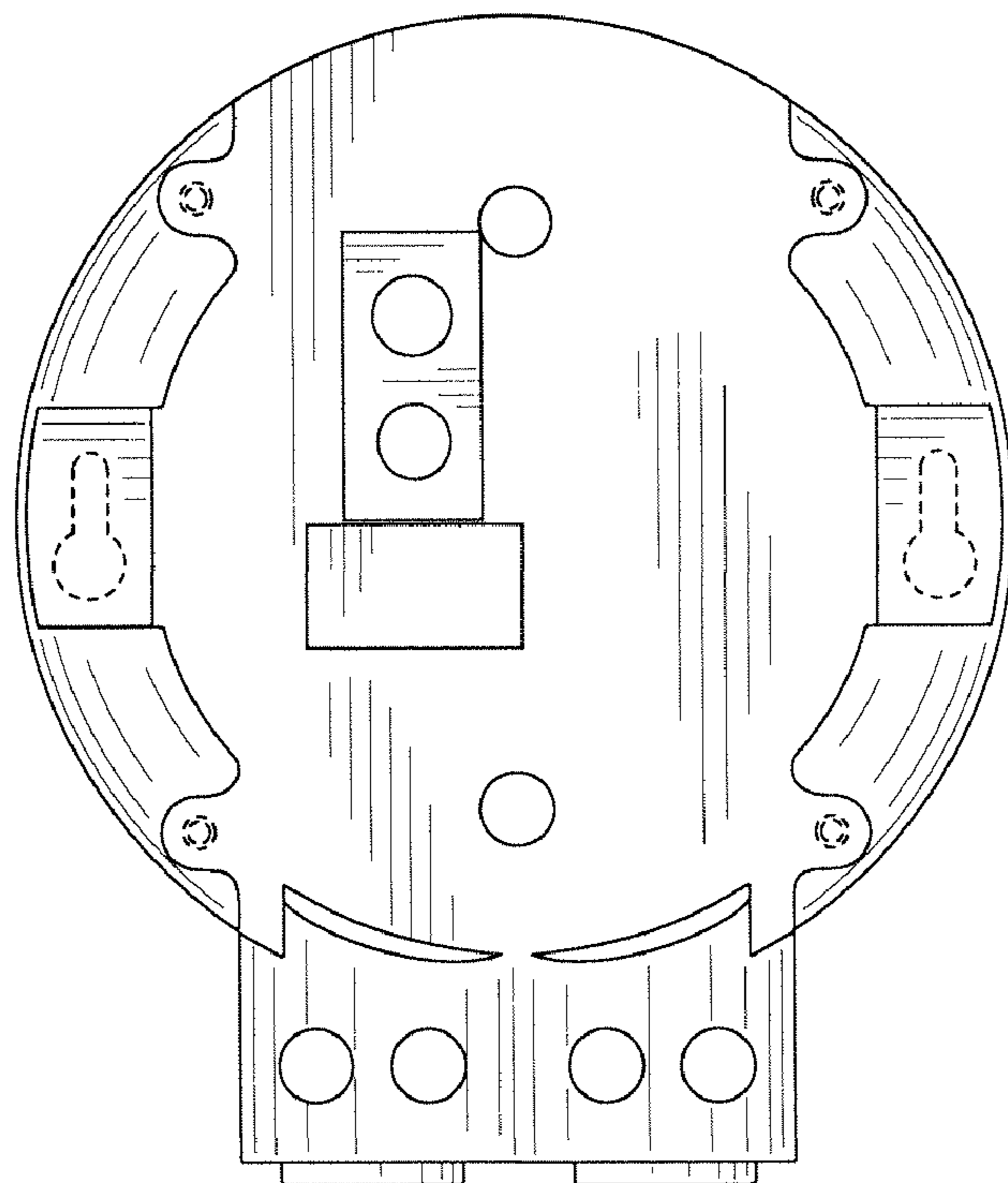


Fig.5

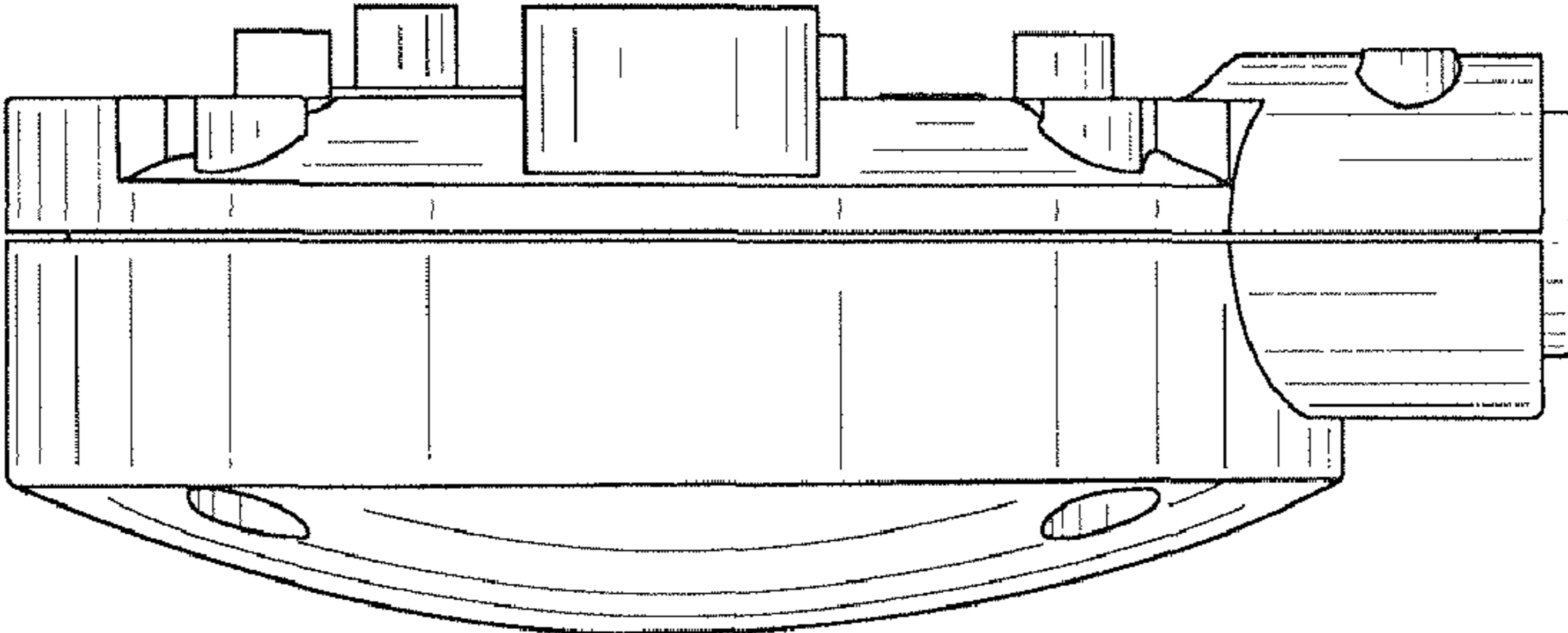


Fig.4

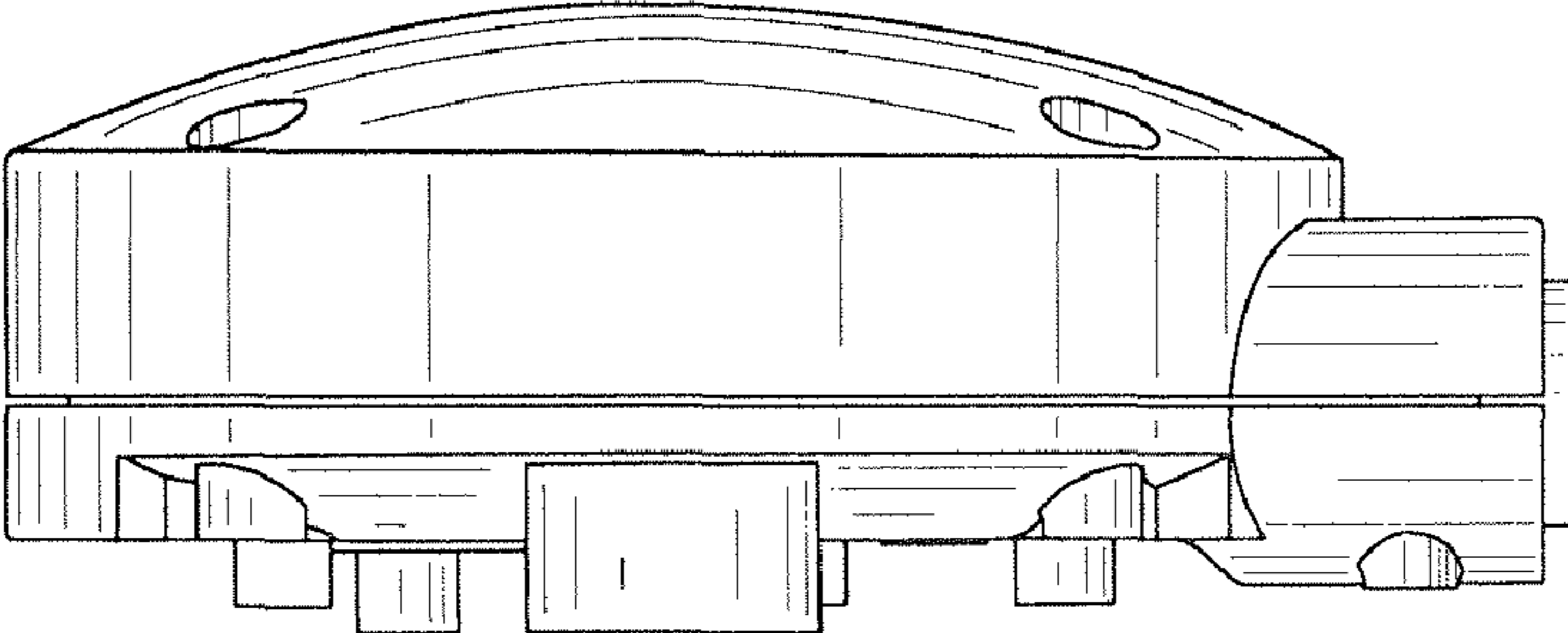


Fig.3

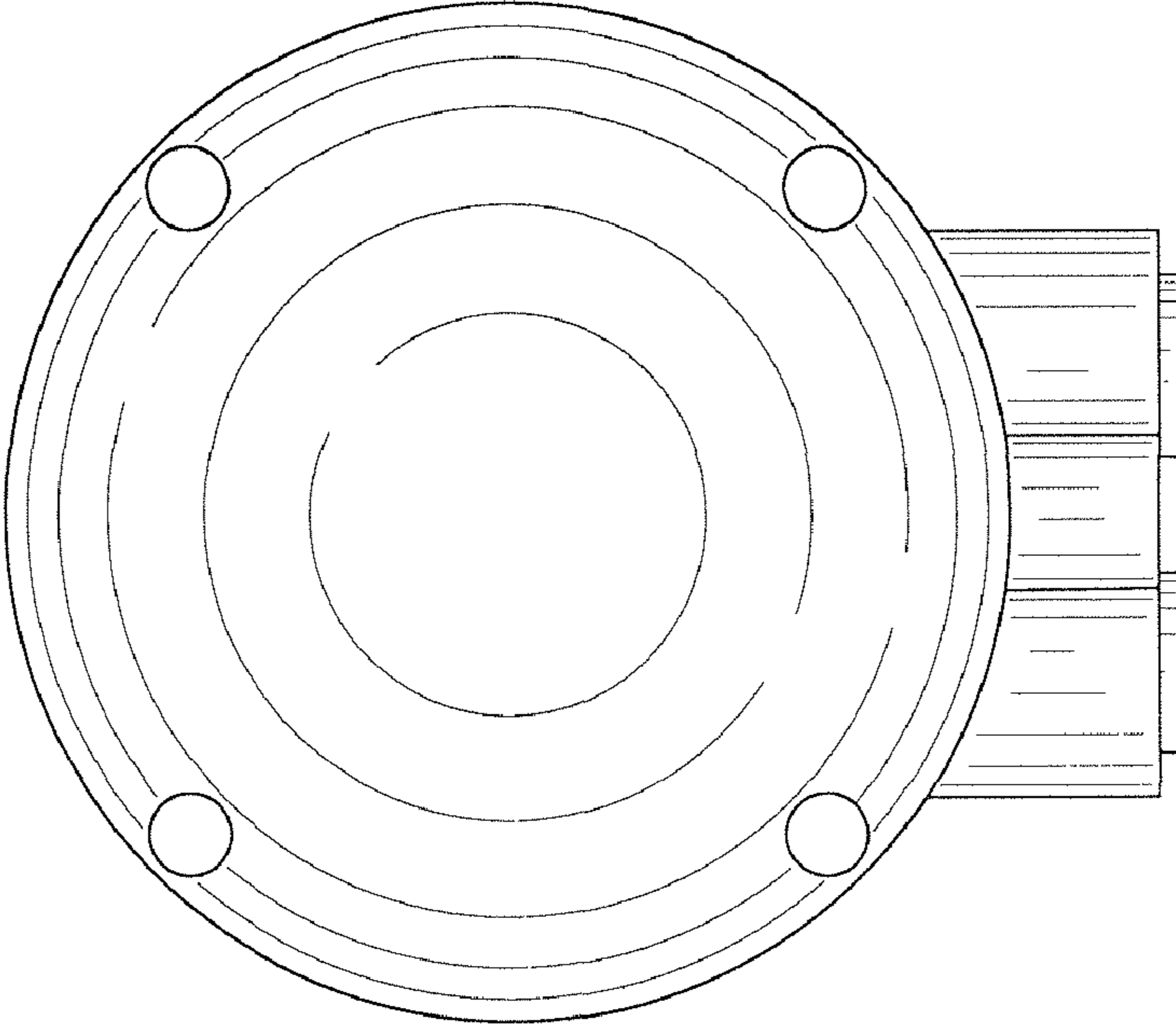


Fig.6

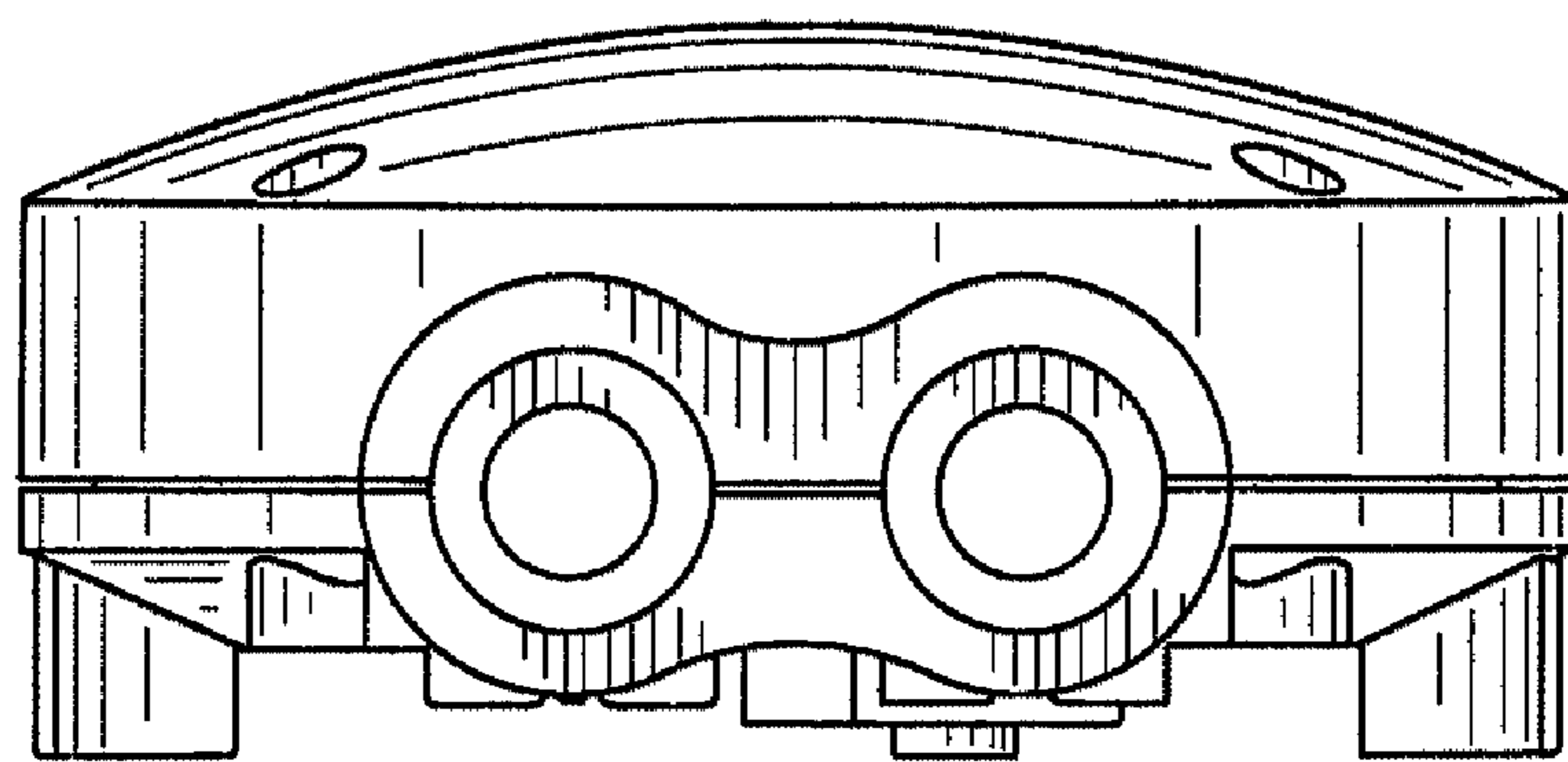
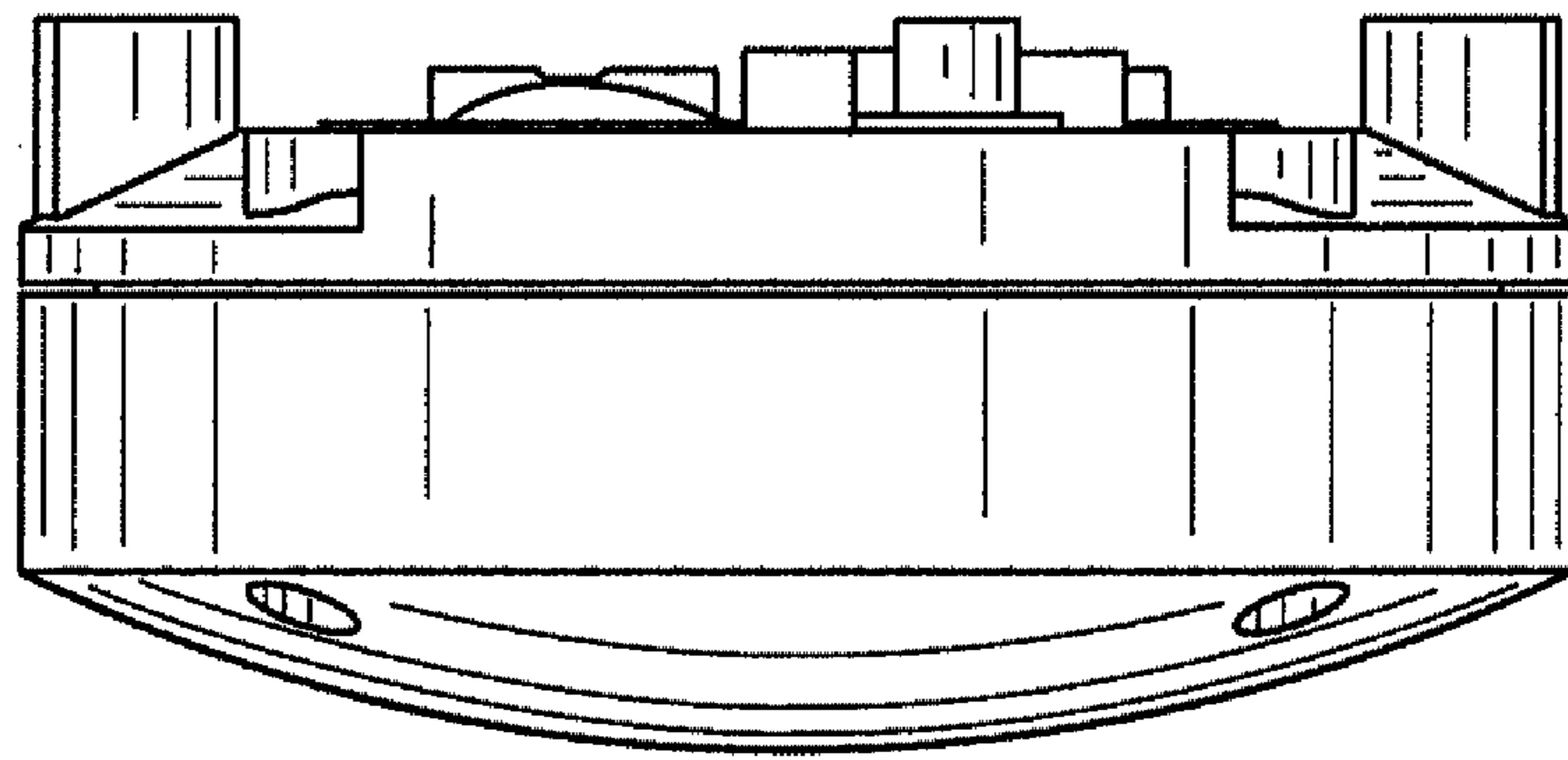


Fig.7