



US00D633441S

(12) **United States Design Patent**  
**Ishimaru et al.**

(10) **Patent No.:** **US D633,441 S**  
(45) **Date of Patent:** **\*\* Mar. 1, 2011**

(54) **INVERTER**

(75) Inventors: **Keizo Ishimaru**, Fuchu (JP); **Hitoshi Otsuka**, Tokyo (JP); **Kazuhiko Nakao**, Ichihara (JP)

(73) Assignee: **Toshiba Schneider Inverter Corporation**, Mie Prefecture (JP)

(\*\*) Term: **14 Years**

(21) Appl. No.: **29/350,166**

(22) Filed: **Nov. 12, 2009**

(30) **Foreign Application Priority Data**

May 15, 2009 (JP) ..... 2009-010878

(51) **LOC (9) Cl.** ..... **13-02**

(52) **U.S. Cl.** ..... **D13/110**

(58) **Field of Classification Search** ..... D13/110,  
D13/101, 123, 184, 199; 307/150–152; 361/600,  
361/601, 622, 702, 703, 730, 796, 809; 363/141,  
363/142

See application file for complete search history.

(56) **References Cited**

**U.S. PATENT DOCUMENTS**

D343,382 S *	1/1994	Hagura et al.	.....	D13/110
D372,017 S *	7/1996	Suematsu et al.	.....	D13/110
6,239,986 B1 *	5/2001	Otsuka	.....	361/796
D455,121 S *	4/2002	Takeuchi et al.	.....	D13/110
D494,132 S *	8/2004	Song	.....	D13/110
D494,133 S *	8/2004	Song	.....	D13/110
D502,914 S *	3/2005	Higuchi et al.	.....	D13/110
D510,321 S *	10/2005	Nakao et al.	.....	D13/110
D540,252 S *	4/2007	Hsien et al.	.....	D13/110
D540,253 S *	4/2007	Tsai et al.	.....	D13/110

D560,607 S *	1/2008	Suematsu et al.	.....	D13/110
D561,095 S *	2/2008	Sakai et al.	.....	D13/110
D563,316 S *	3/2008	Higuchi	.....	D13/110
D563,317 S *	3/2008	Higuchi	.....	D13/110

\* cited by examiner

*Primary Examiner*—Prabhakar Deshmukh

*Assistant Examiner*—Derrick Holland

(74) *Attorney, Agent, or Firm*—Pillsbury Winthrop Shaw Pittman, LLP

(57) **CLAIM**

The ornamental design for an inverter, as shown and described.

**DESCRIPTION**

FIG. 1 is a top, right side and front perspective view of an inverter, showing our new design;

FIG. 2 is a bottom, right side and front perspective view thereof;

FIG. 3 is a front elevational view thereof;

FIG. 4 is a rear elevational view thereof;

FIG. 5 is a right elevational view thereof;

FIG. 6 is a left elevational view thereof;

FIG. 7 is a top plan view thereof;

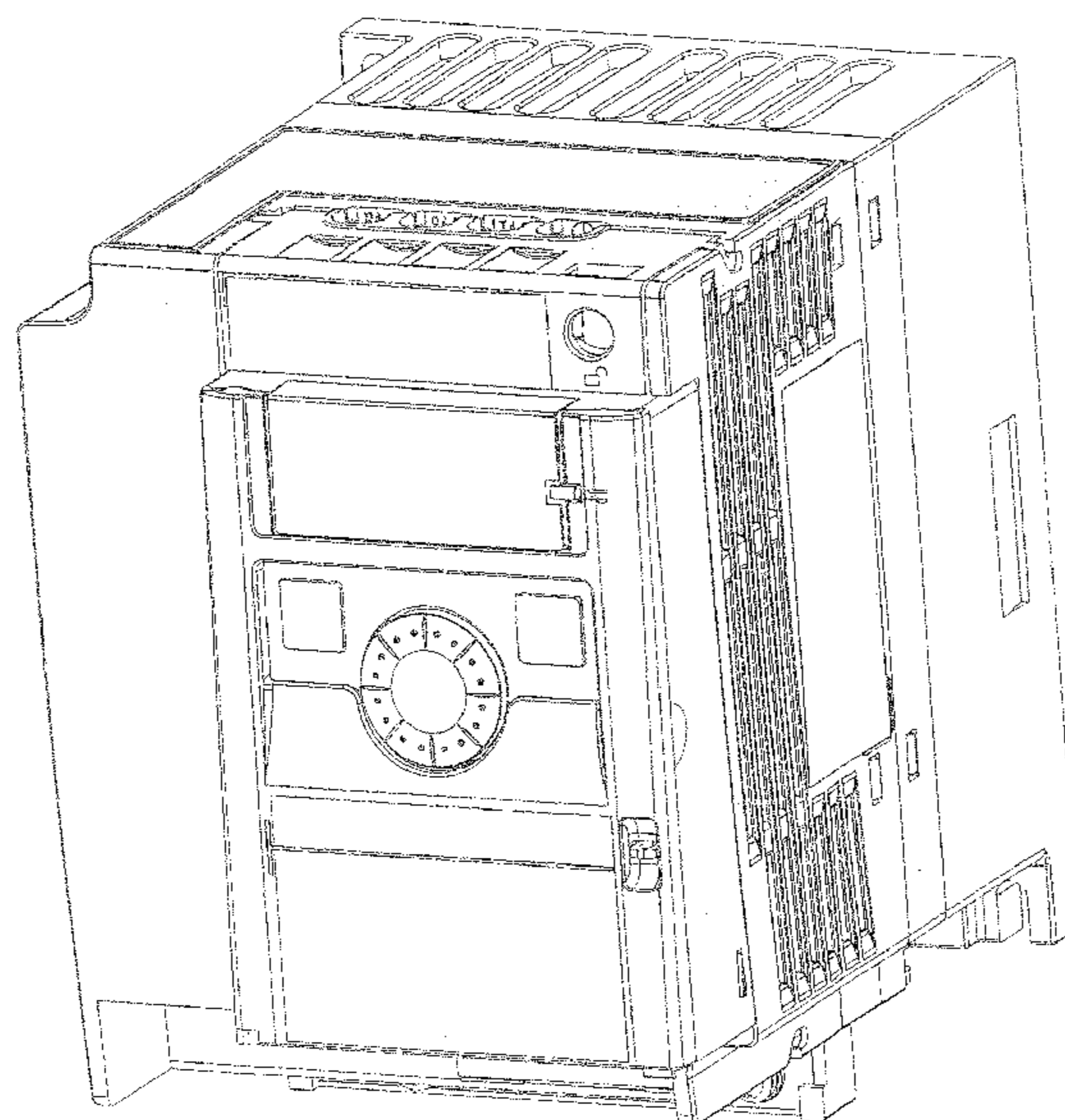
FIG. 8 is a bottom plan view thereof;

FIG. 9 is a top, right side and front perspective view thereof when its switch cover is open; and,

FIG. 10 is a bottom, right side and front perspective view thereof, when its switch cover is open.

The broken lines shown represent unclaimed subject matter and form no part of the claimed design.

**1 Claim, 10 Drawing Sheets**



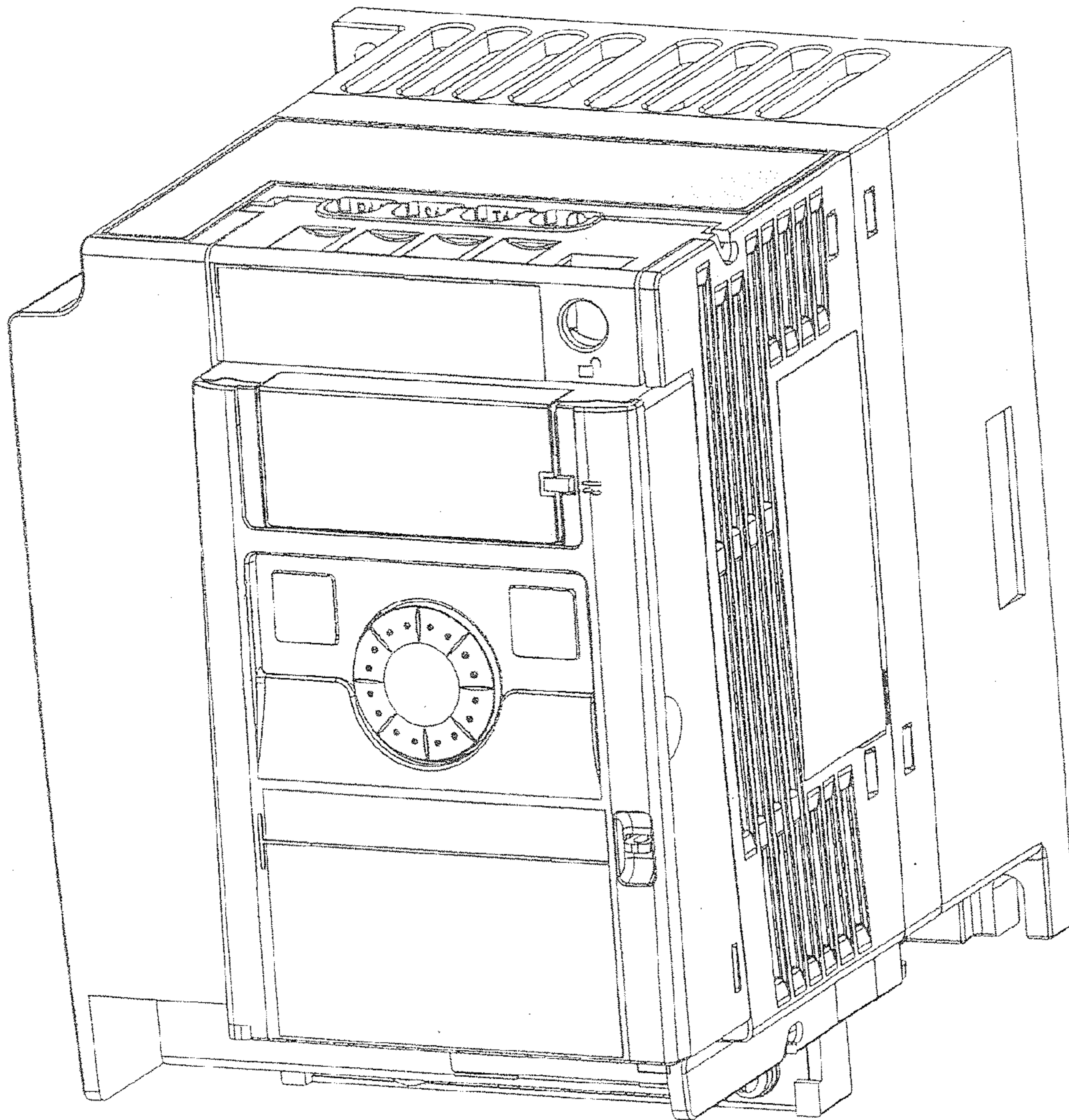


FIG. 1



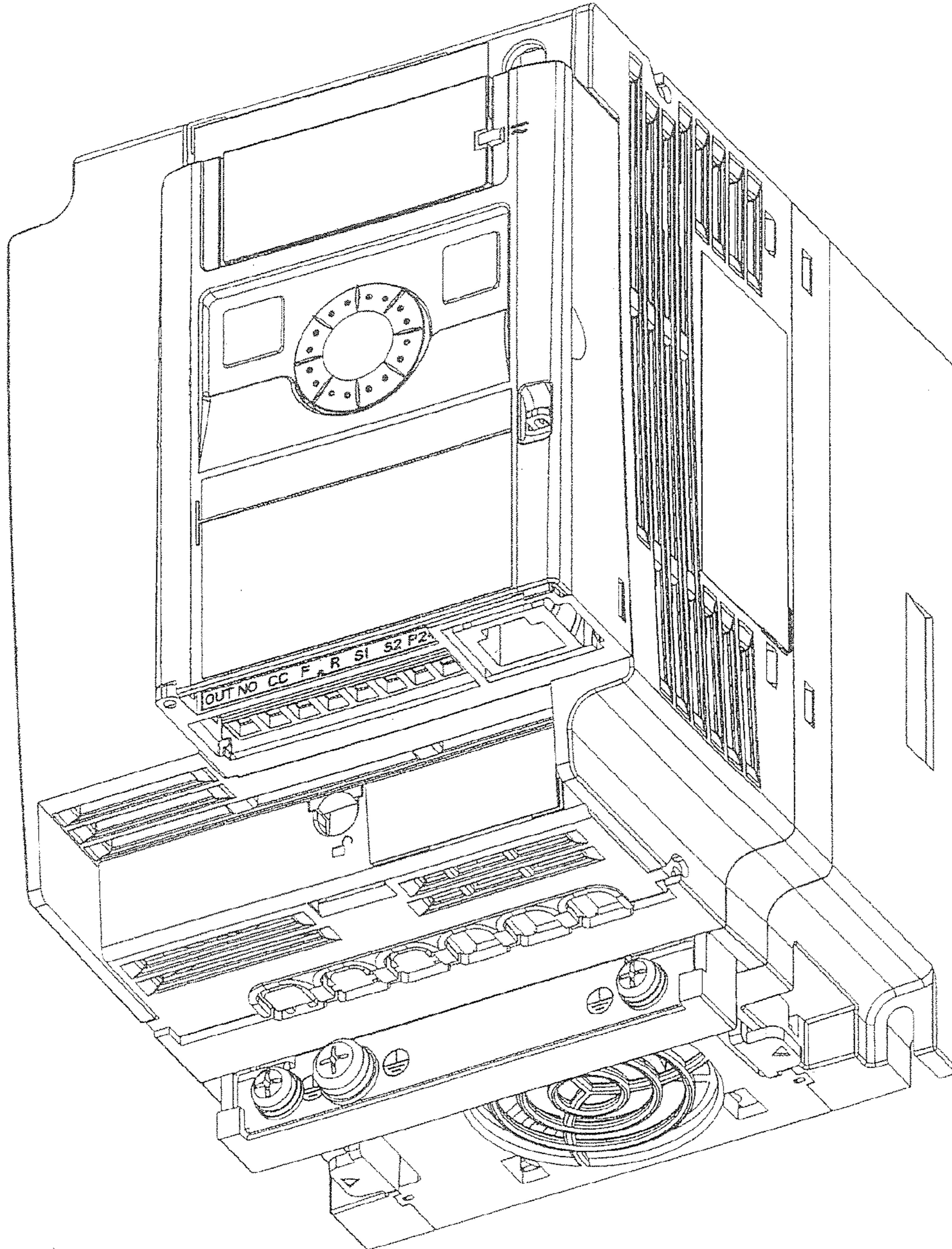


FIG. 2

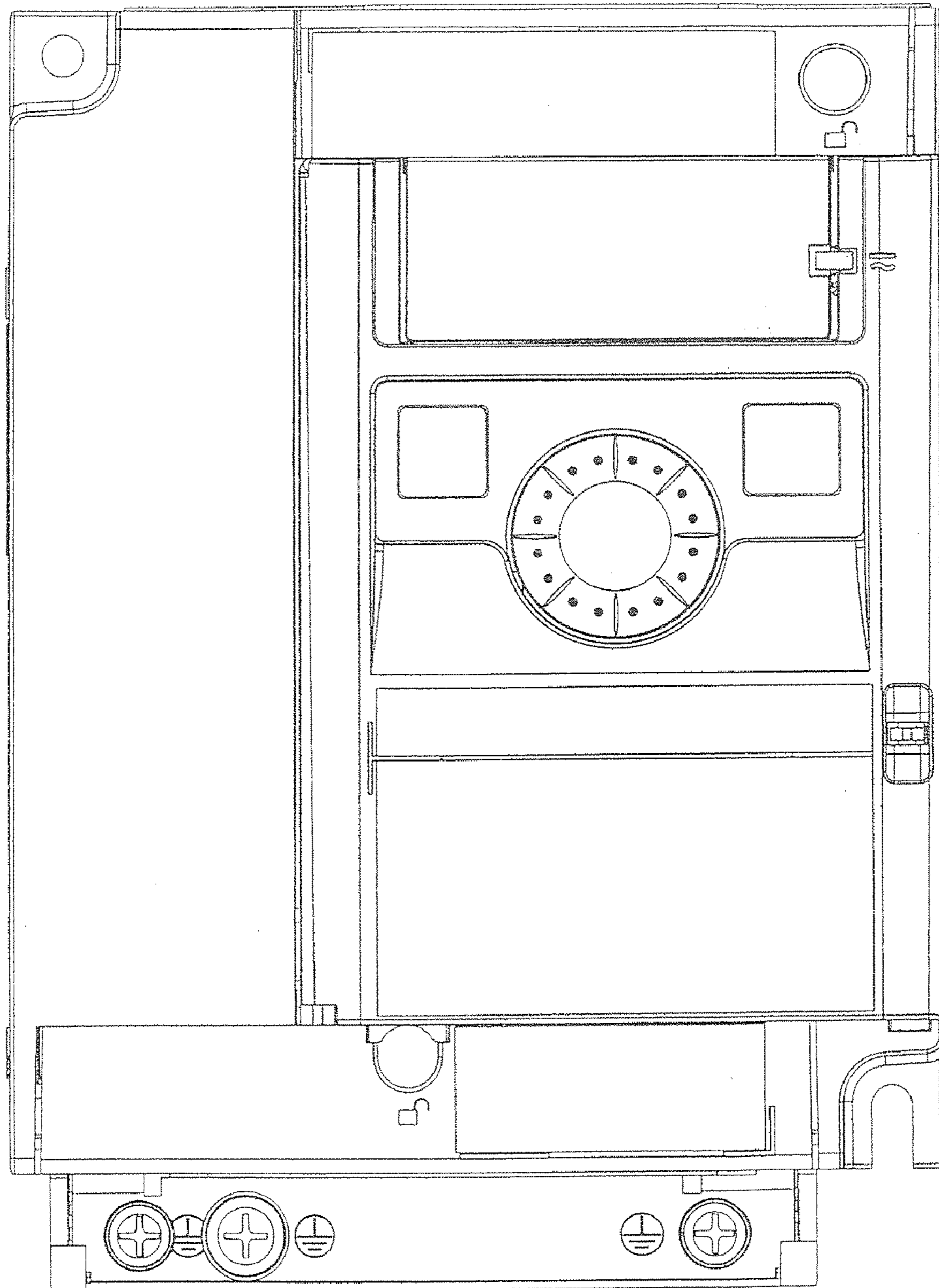


FIG. 3

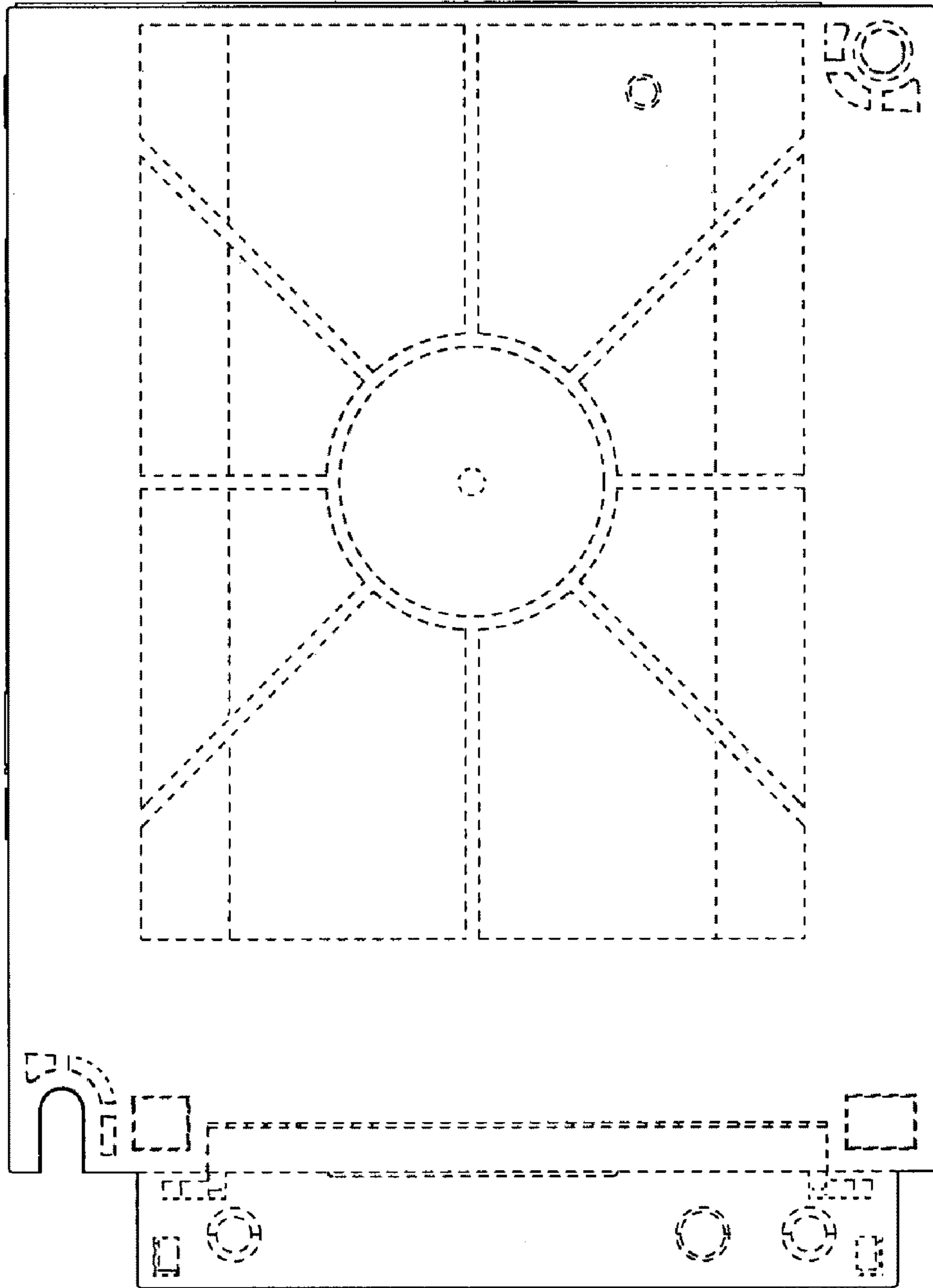


FIG. 4



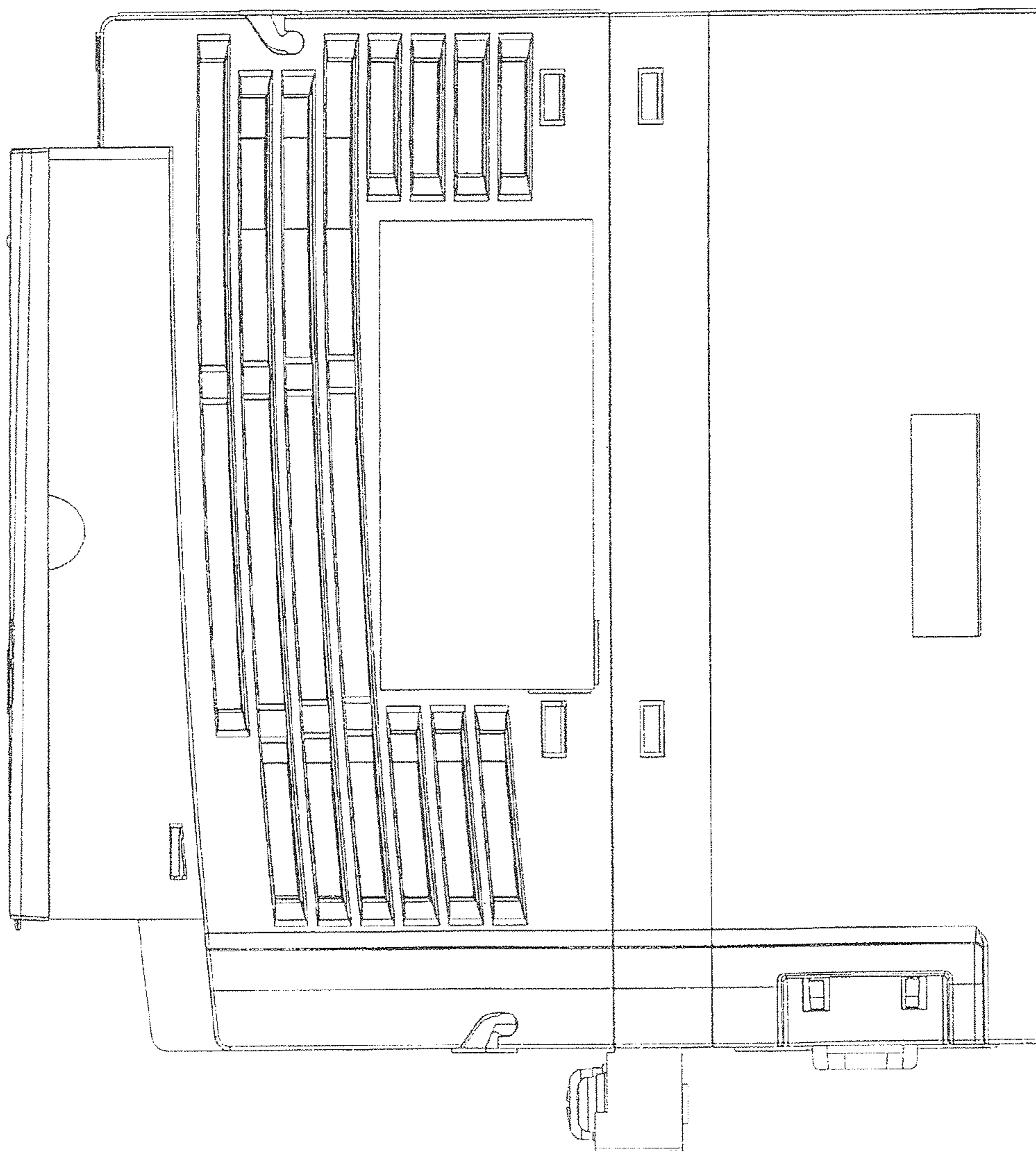


FIG. 5

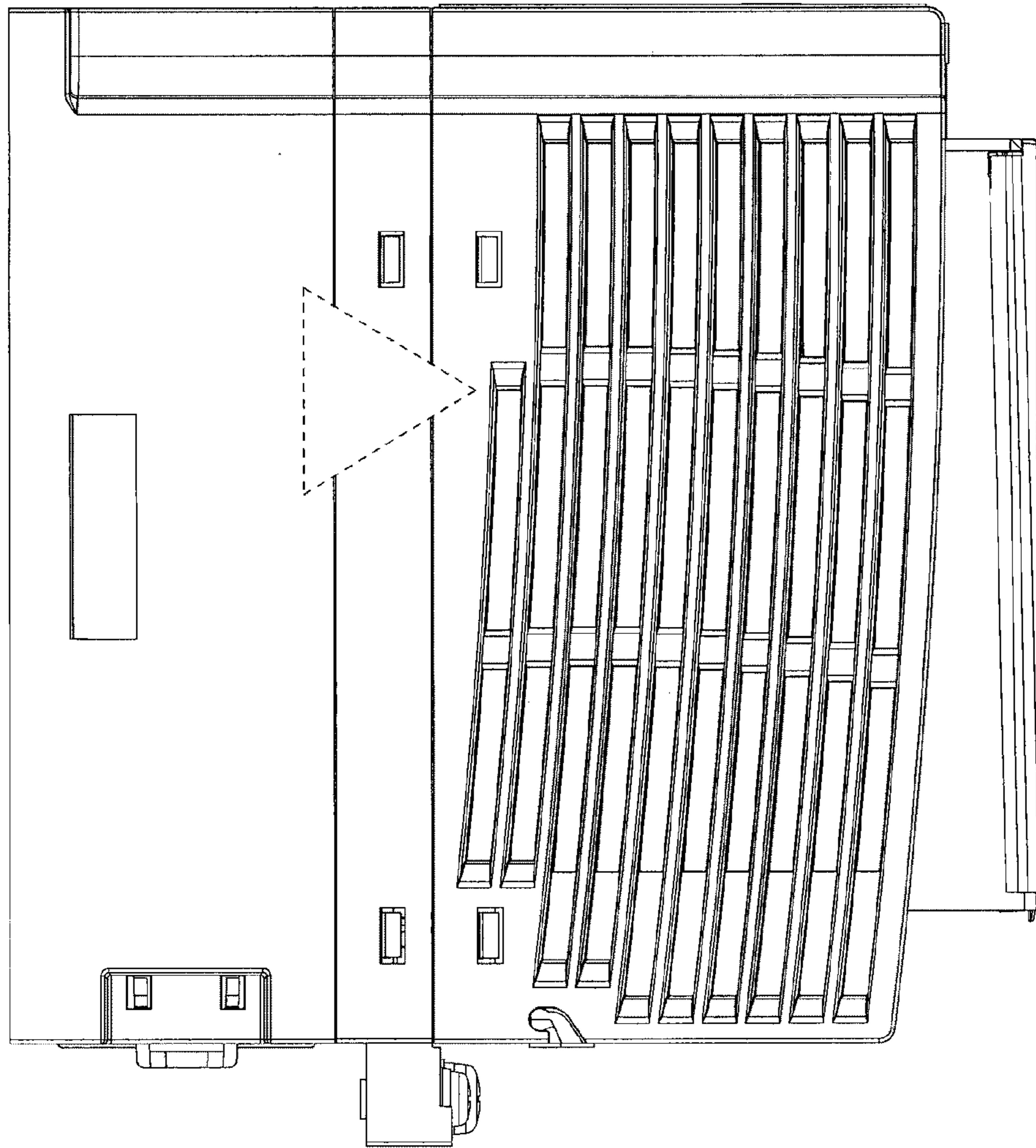


FIG. 6

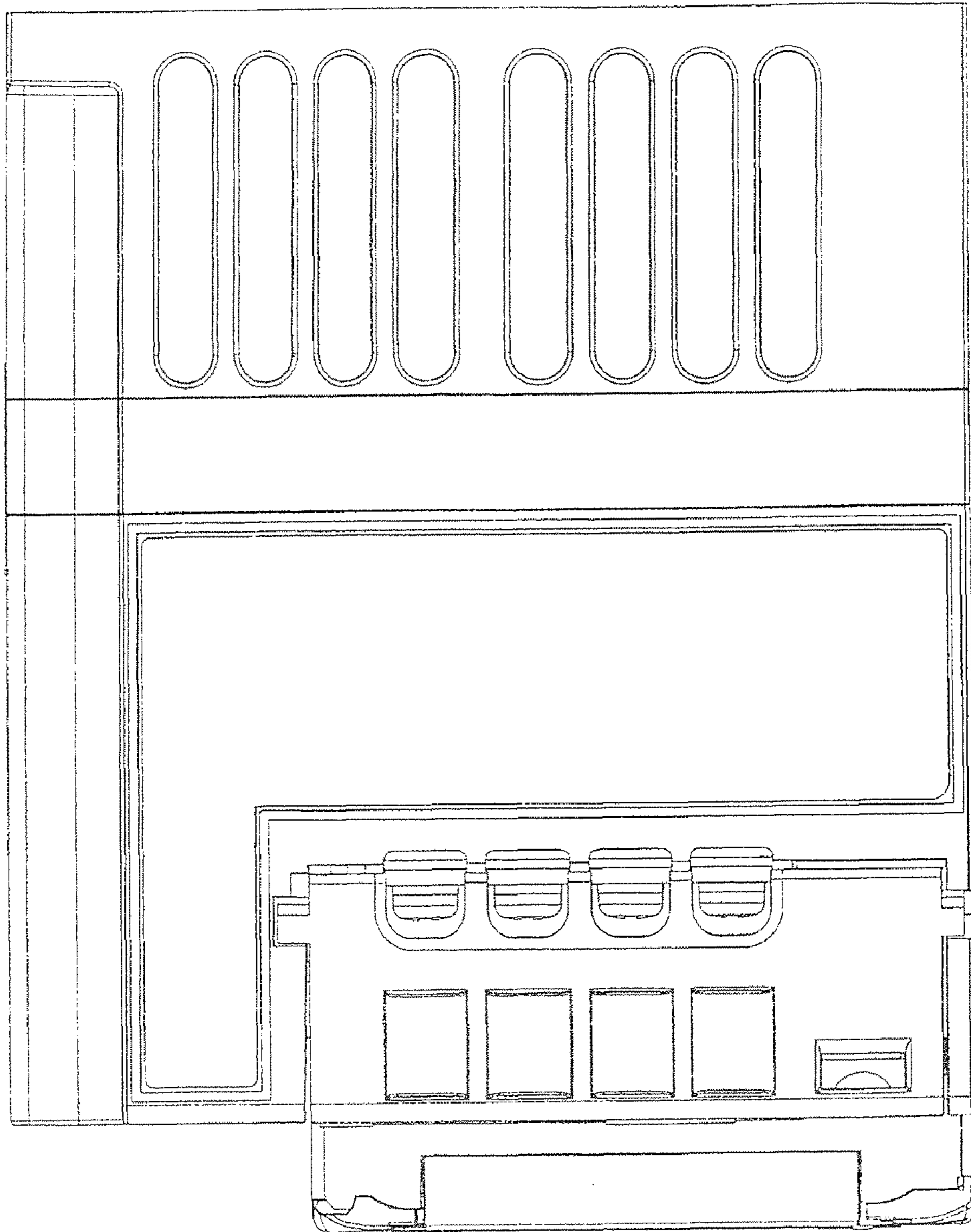


FIG. 7



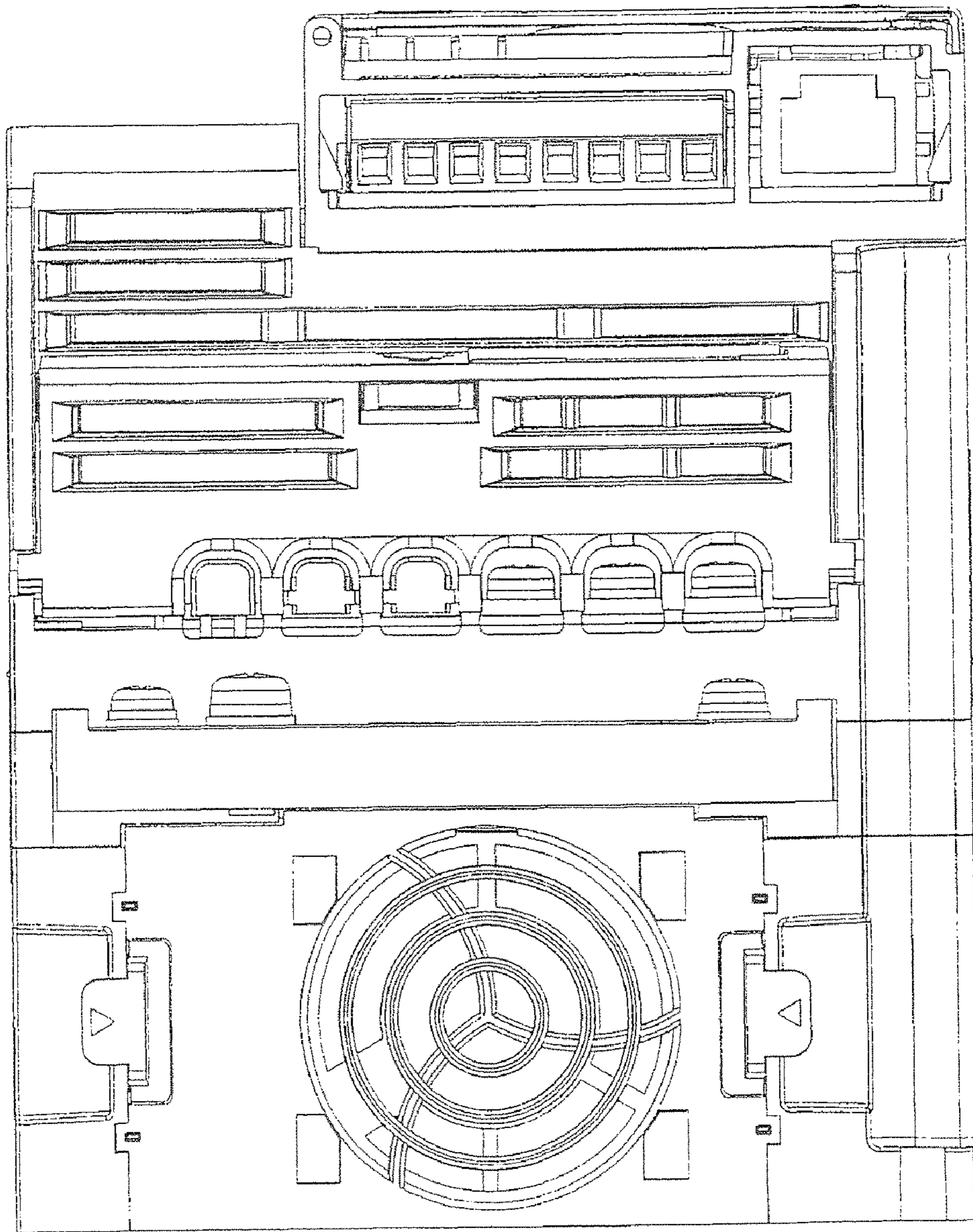


FIG. 8

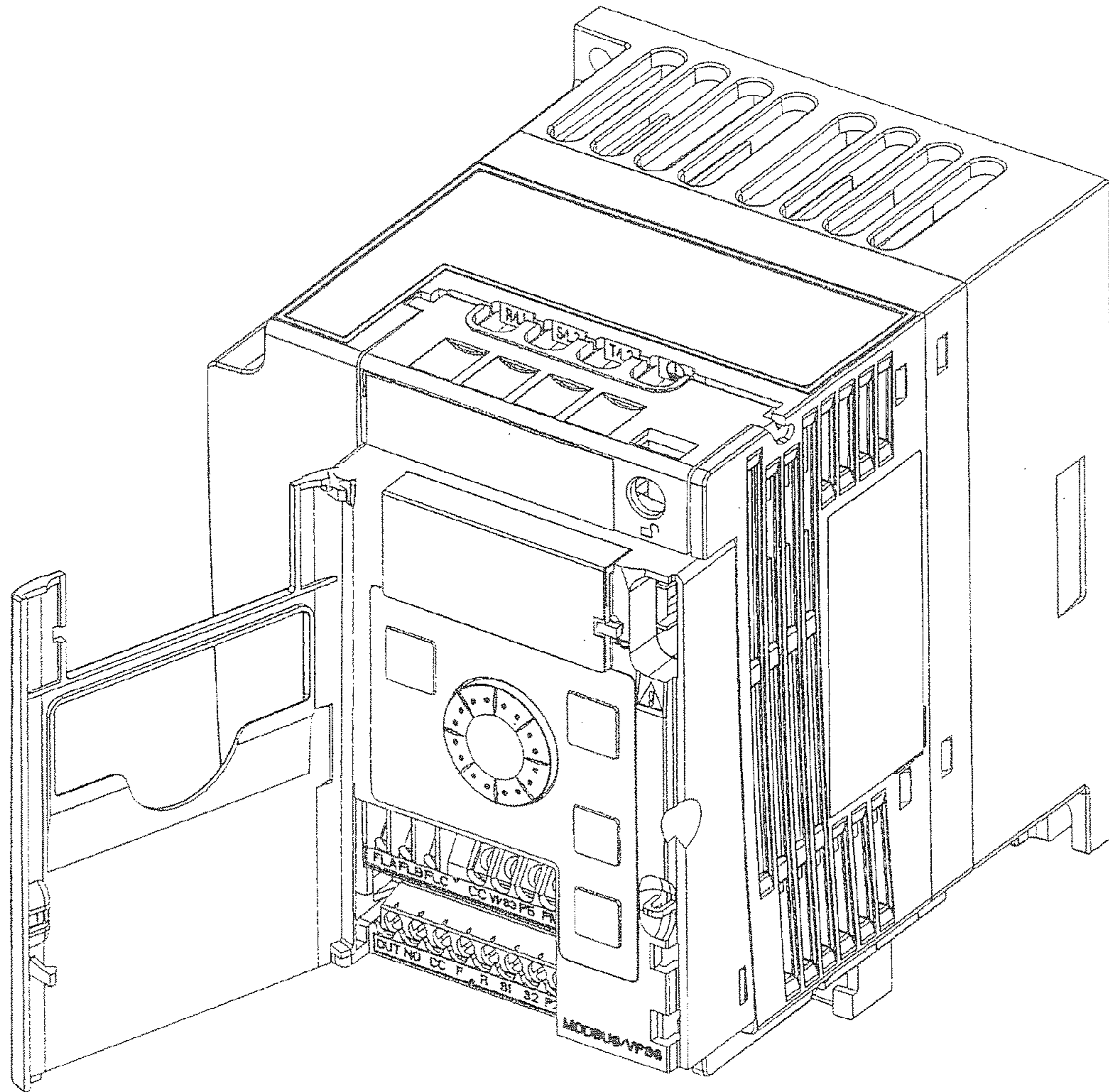


FIG. 9



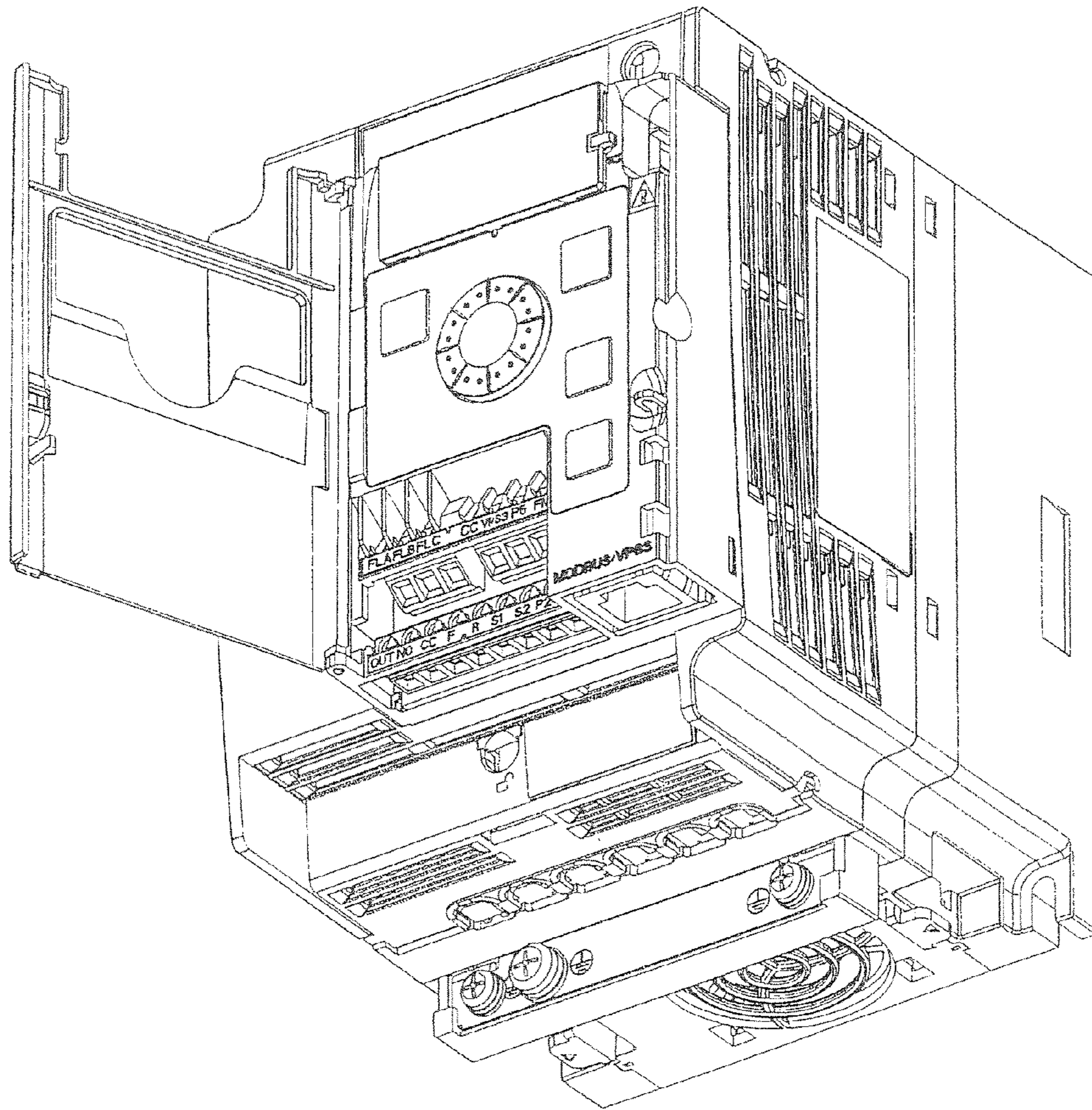


FIG. 10