



US00D633427S

(12) **United States Design Patent**  
**Marr, Jr.**

(10) **Patent No.:** **US D633,427 S**  
(45) **Date of Patent:** **\*\* Mar. 1, 2011**

- (54) **GUSSETLESS MOUNT**
- (75) Inventor: **Edwin L. Marr, Jr.**, Providence, RI (US)
- (73) Assignee: **TracRac, Inc.**, Fall River, MA (US)
- (\*\*) Term: **14 Years**
- (21) Appl. No.: **29/366,569**
- (22) Filed: **Jul. 27, 2010**

D552,529	S	*	10/2007	Klinkman	.....	D12/223
D554,039	S	*	10/2007	Bulson	.....	D12/223
D582,337	S	*	12/2008	Derektor	.....	D12/406
D623,576	S	*	9/2010	Lemieux	.....	D12/223
2003/0002969	A1	*	1/2003	Risser	.....	414/542
2008/0054037	A1	*	3/2008	Niedziela et al.	.....	224/403
2009/0026784	A1	*	1/2009	Green	.....	296/3
2009/0166390	A1	*	7/2009	Flaherty	.....	224/405

\* cited by examiner

*Primary Examiner*—Holly H Baynham  
*Assistant Examiner*—Sheryl Lane  
(74) *Attorney, Agent, or Firm*—Barlow, Josephs & Holmes, Ltd.

**Related U.S. Application Data**

- (63) Continuation of application No. 12/781,075, filed on May 17, 2010.

- (51) **LOC (9) Cl.** ..... **12-06**
- (52) **U.S. Cl.** ..... **D12/223**
- (58) **Field of Classification Search** ..... D12/221, D12/223; 224/403, 405; 296/3, 36, 37.6  
See application file for complete search history.

(56) **References Cited**

U.S. PATENT DOCUMENTS

5,494,327	A	*	2/1996	Derektor	.....	296/3
D410,429	S	*	6/1999	Derektor	.....	D12/406
D443,583	S	*	6/2001	Eggink	.....	D12/223
6,513,849	B2	*	2/2003	Carter	.....	296/3
D482,314	S	*	11/2003	McCoy et al.	.....	D12/223
6,971,563	B2	*	12/2005	Levi	.....	224/405

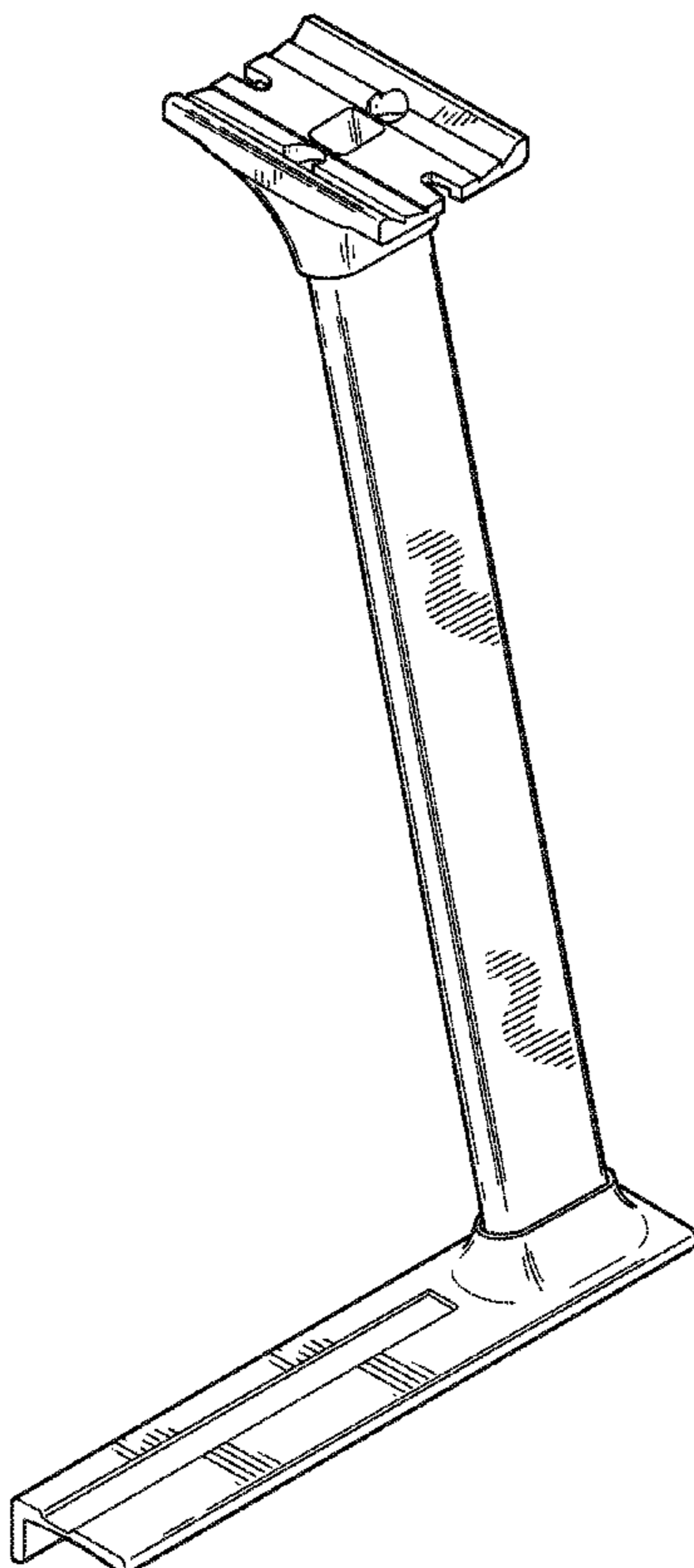
(57) **CLAIM**

The ornamental design for a gussetless mount, as shown.

**DESCRIPTION**

FIG. 1 is a perspective view of a gussetless mount showing my new design;  
FIG. 2 is a front elevational view thereof;  
FIG. 3 is a rear elevational view thereof;  
FIG. 4 is a right side elevational view thereof;  
FIG. 5 is a left side elevational view thereof;  
FIG. 6 is a top view thereof; and,  
FIG. 7 is a bottom view thereof.

**1 Claim, 6 Drawing Sheets**



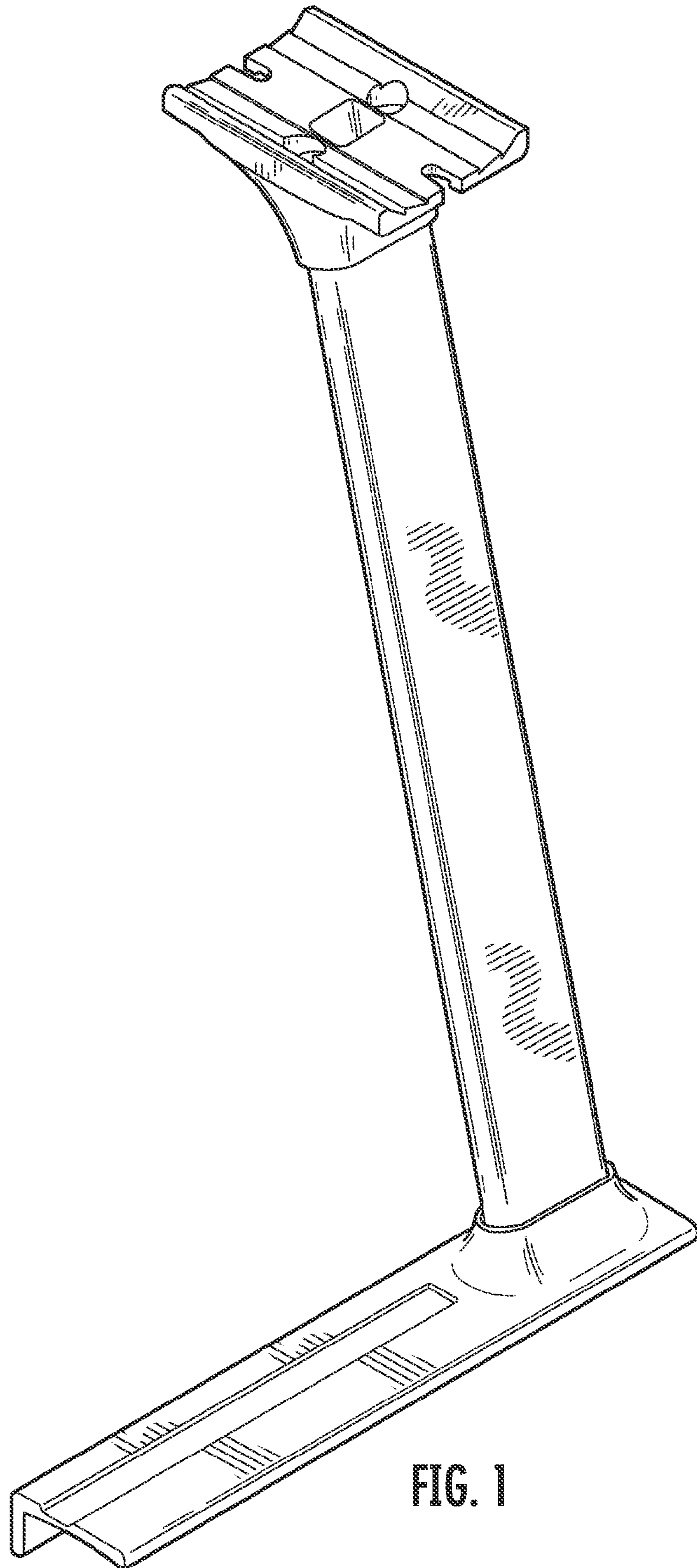


FIG. 1

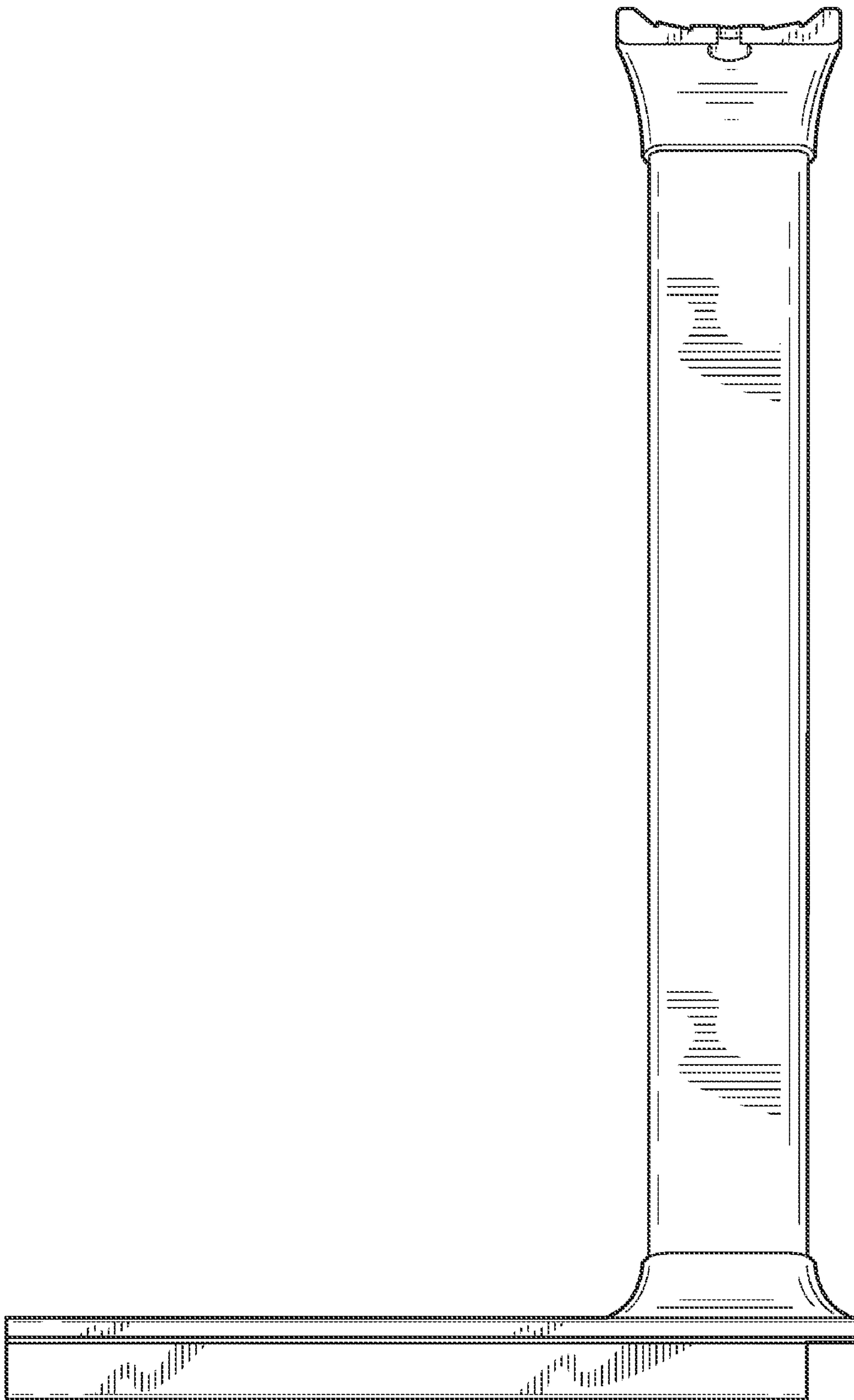


FIG. 2

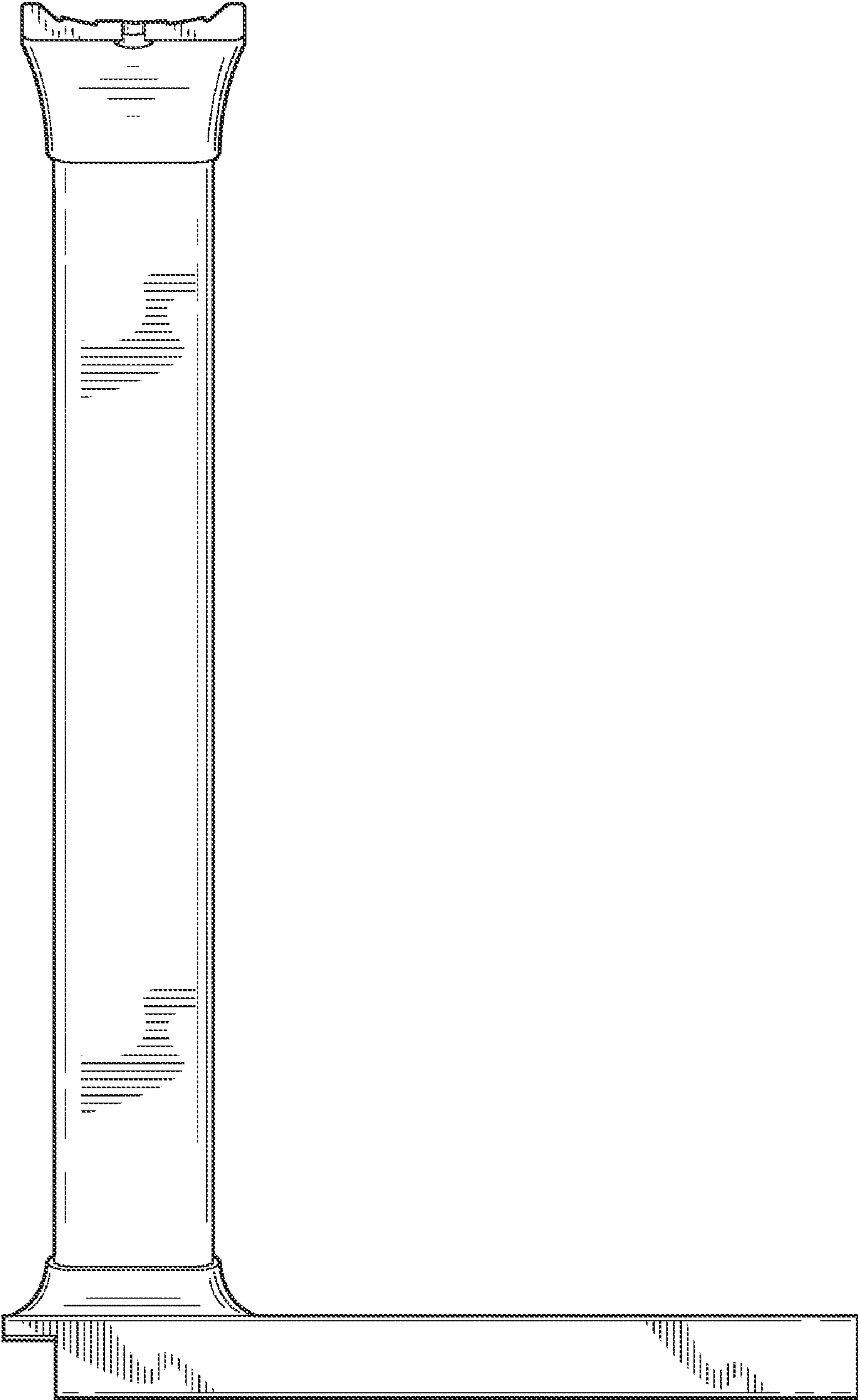


FIG. 3

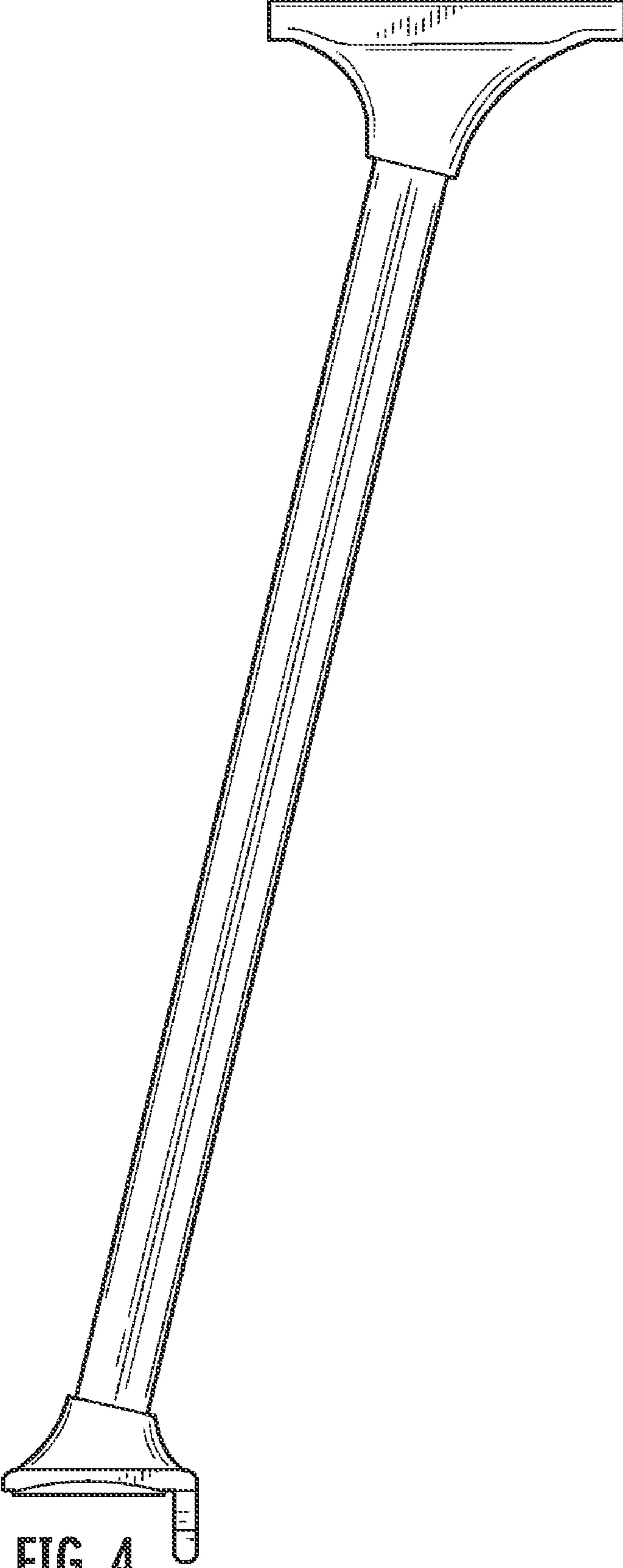


FIG. 4

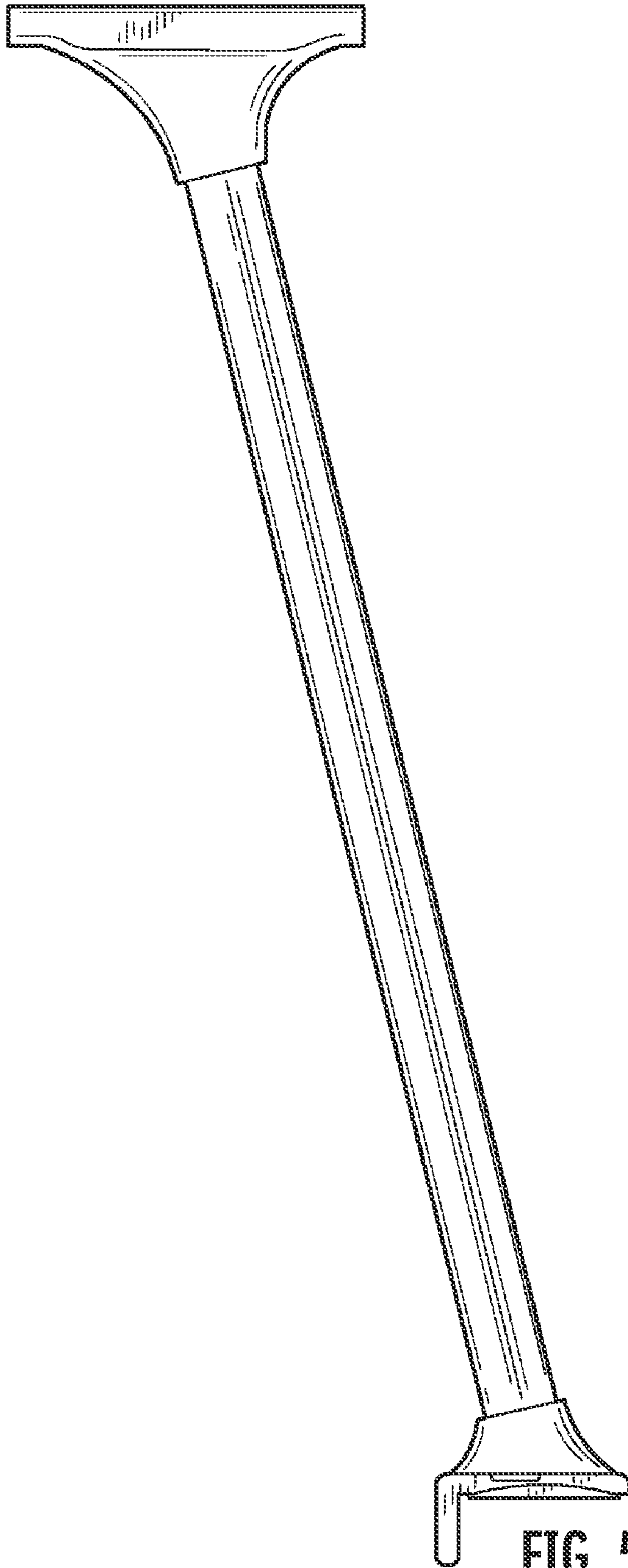


FIG. 5

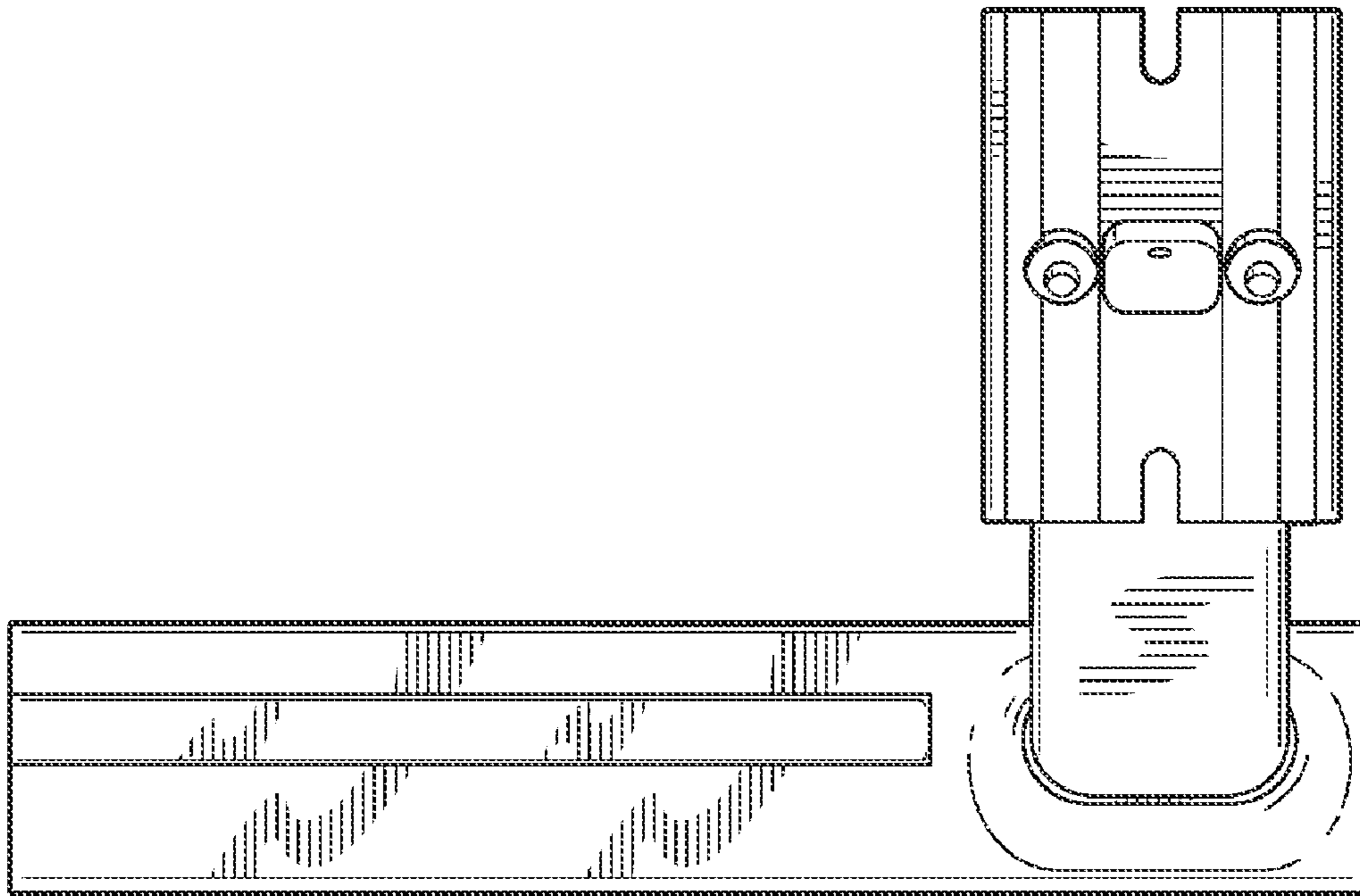


FIG. 6

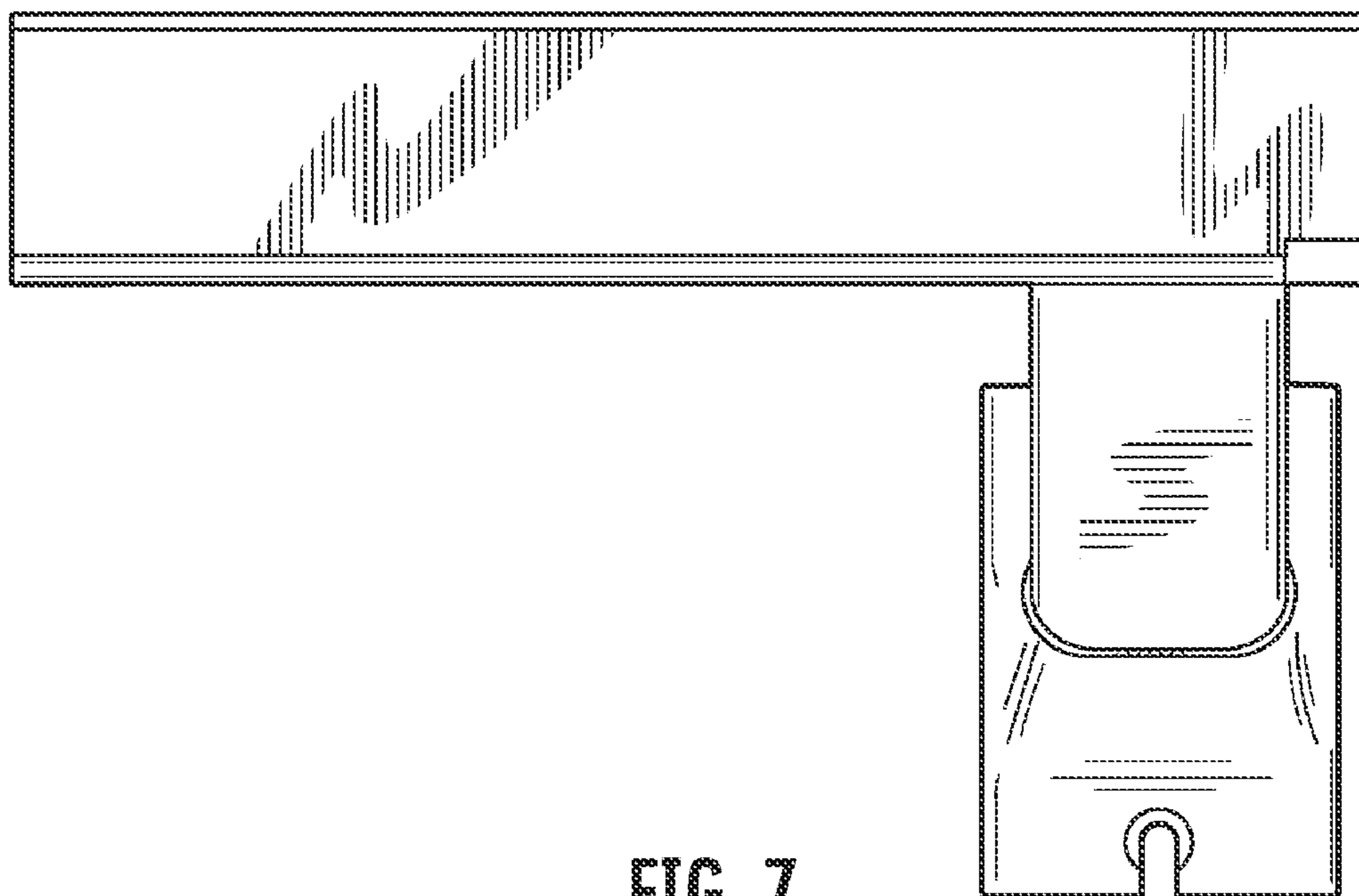


FIG. 7