



US00D633426S

(12) **United States Design Patent**  
**Kobayashi**

(10) **Patent No.:** **US D633,426 S**

(45) **Date of Patent:** **\*\* Mar. 1, 2011**

(54) **WIPER BLADE RUBBER**

(75) Inventor: **Akira Kobayashi**, Saitama (JP)

(73) Assignee: **Fukoku Co., Ltd.**, Saitama (JP)

(\*\*) Term: **14 Years**

(21) Appl. No.: **29/300,878**

(22) Filed: **May 23, 2008**

(30) **Foreign Application Priority Data**

Nov. 27, 2007 (JP) ..... D2007-032470  
Nov. 27, 2007 (JP) ..... D2007-032476

(51) **LOC (9) Cl.** ..... **12-06**

(52) **U.S. Cl.** ..... **D12/220**

(58) **Field of Classification Search** ..... D12/219-220;  
15/246, 247, 250.001, 250.41, 250.4, 250.361,  
15/250.19, 250.48, 250.03, 250.31-250.33,  
15/250.351, 250.38, 250.201, 250.451-458,  
15/250.04, 250.07, 250.44

See application file for complete search history.

(56) **References Cited**

**U.S. PATENT DOCUMENTS**

D248,388 S \* 7/1978 Hughes ..... D12/220  
5,349,718 A \* 9/1994 Gibbon ..... 15/250.48  
D537,769 S \* 3/2007 Duvall, Jr. .... D12/219  
D568,801 S \* 5/2008 Machida et al. .... D12/219  
2002/0083546 A1 7/2002 Lim  
2003/0014828 A1 1/2003 Edner-Walter et al.  
2003/0019066 A1 1/2003 Egner-Walter

**FOREIGN PATENT DOCUMENTS**

JP 2007-008623 4/2008  
JP 1332355 S 6/2008  
WO WO-99/07586 A1 2/1999  
WO WO-99/10211 A1 3/1999  
WO WO-99/12784 A1 3/1999

\* cited by examiner

*Primary Examiner*—Caron Veynar  
*Assistant Examiner*—Katrina A Kile

(74) *Attorney, Agent, or Firm*—Rader, Fishman & Grauer PLLC

(57) **CLAIM**

The ornamental design for a wiper blade rubber, as shown and described.

**DESCRIPTION**

FIG. 1 is a perspective view of a wiper blade rubber showing my new design;

FIG. 2 is a front elevational view thereof;

FIG. 3 is a rear elevational view thereof;

FIG. 4 is a top plan view thereof;

FIG. 5 is a bottom plan view thereof;

FIG. 6 is a right side elevational view thereof;

FIG. 7 is a left side elevational view thereof;

FIG. 8 is an enlarged perspective view of a portion of the wiper blade rubber, which is taken along a line 8—8 in a direction of arrows of FIG. 1; and

FIG. 9 is an enlarged cross-sectional view of the wiper blade rubber taken along a line 9—9 in a direction of an arrow of FIG. 2.

FIG. 10 is an enlarged right side elevational view of the wiper blade rubber; and

FIG. 11 is an enlarged left side elevational view thereof.

The even broken line showings of the wiper blade rubber of FIGS. 1-11 are for illustrative purpose only and form no part of the claimed design. The dot-dash broken lines shown in FIGS. 1-11 define, but are not included in, the boundaries of the claimed design.

FIG. 12 is a perspective view of another embodiment of a wiper blade rubber showing may new design;

FIG. 13 is a front elevational view thereof;

FIG. 14 is a rear elevational view thereof;

FIG. 15 is a top plan view thereof;

FIG. 16 is a bottom plan view thereof;

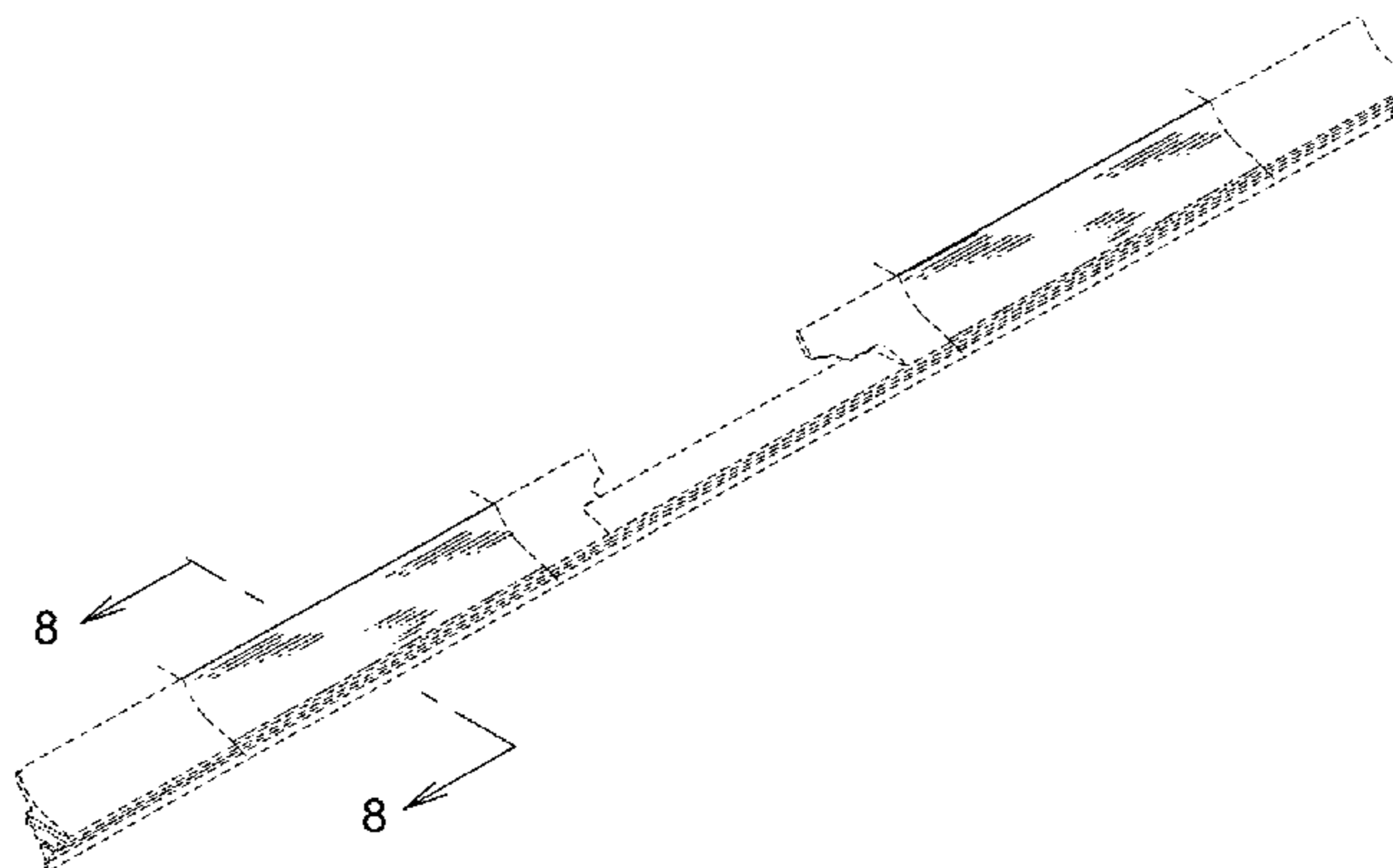


FIG. 17 is a right side elevational view thereof;

FIG. 18 is a left side elevational view thereof;

FIG. 19 is an enlarged right side elevational view thereof;

FIG. 20 is an enlarged left side elevational view thereof;

FIG. 21 is an enlarged cross-sectional view of the wiper blade rubber taken along a line 21—21 in a direction of arrows of FIG. 13;

FIG. 22 is an enlarged cross-sectional view of the wiper blade rubber, which is taken along a line 22—22 in a direction of arrows of FIG. 13; and

FIG. 23 is an enlarged cross-sectional view of the wiper blade rubber, which is taken along a line 23—23 in a direction of arrows of FIG. 13.

The even broken line showings of the wiper blade rubber of FIGS. 12-23 are for illustrative purpose only and form no part of the claimed design. The dot-dash broken lines shown in FIGS. 12-23 define, but are not included in, the boundaries of the claimed design.

FIG. 24 is an enlarged perspective view of a portion of the wiper blade rubber of the embodiment of FIG. 12;

FIG. 25 is an enlarged perspective view of a portion of the wiper blade rubber, which is taken along the line 25—25 in a direction of arrows of FIG. 24;

FIG. 26 is an enlarged perspective view of a portion of the wiper blade rubber, which is taken along the line 26—26 in a direction of arrows of FIG. 24;

FIG. 27 is an enlarged perspective view of a portion of the wiper blade rubber, which is taken along the line 27—27 in a direction of arrows of FIG. 24;

FIG. 28 is an enlarged perspective view of a portion of the wiper blade rubber, which is taken along the line 28—28 in a direction of arrows of FIG. 24;

FIG. 29 is an enlarged perspective view of a portion of the wiper blade rubber, which is taken along the line 29—29 in a direction of arrows of FIG. 24; and,

FIG. 30 is an enlarged perspective view of a portion of the wiper blade rubber, which is taken along the line 30—30 in a direction of arrows of FIG. 24.

**1 Claim, 30 Drawing Sheets**

FIG. 1

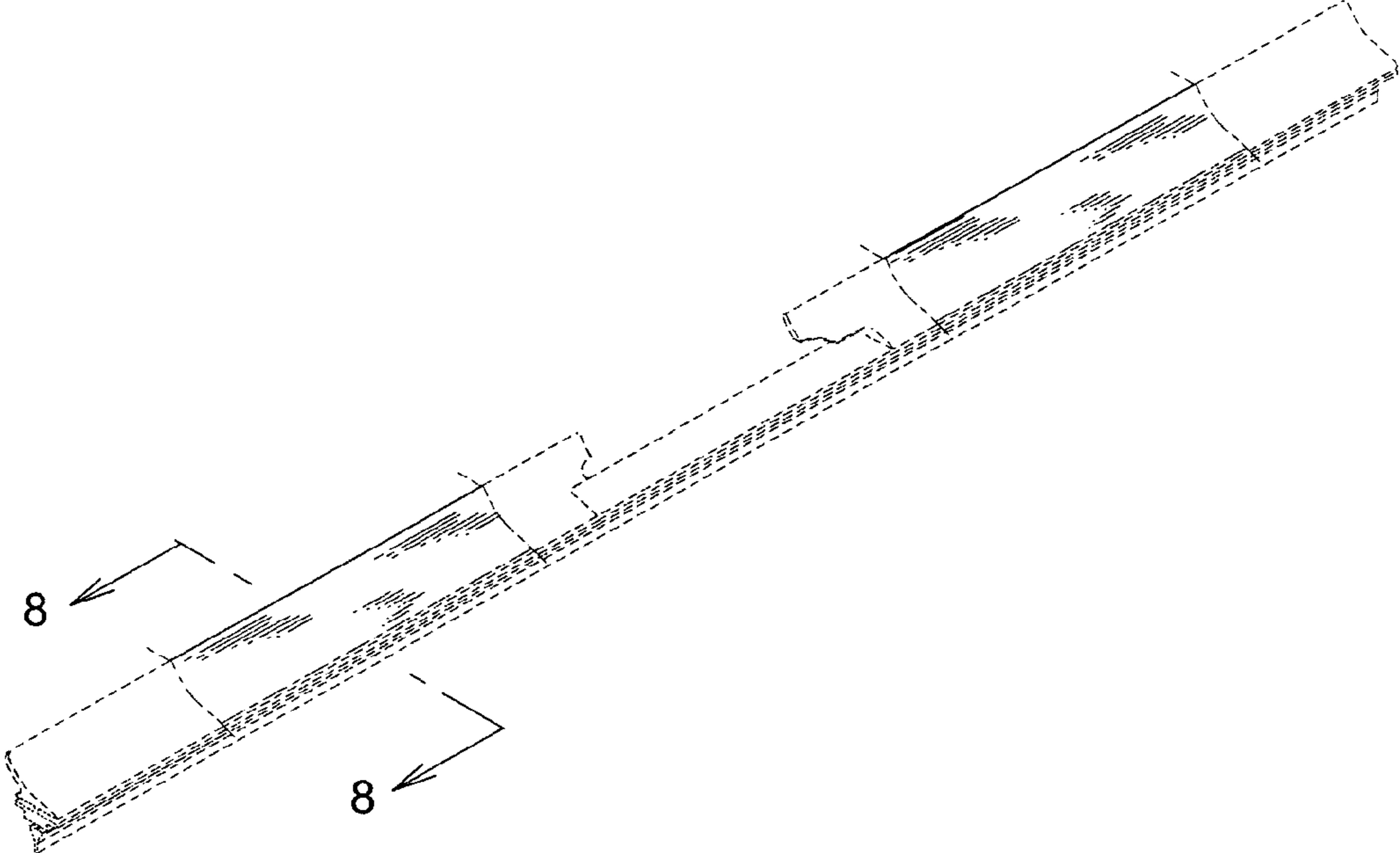


FIG. 2

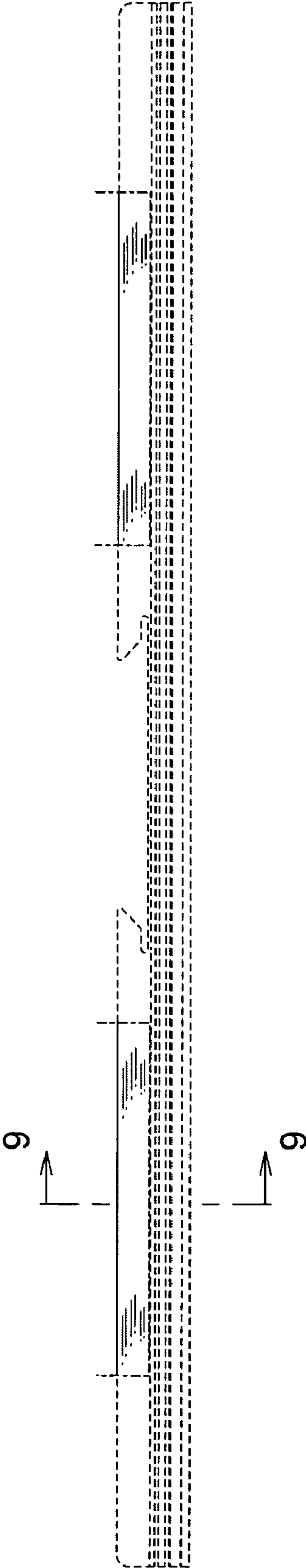


FIG. 3



FIG. 4

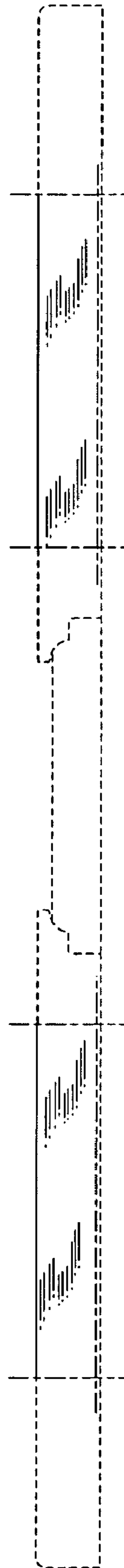


FIG. 5



FIG . 6





FIG. 7



FIG. 8

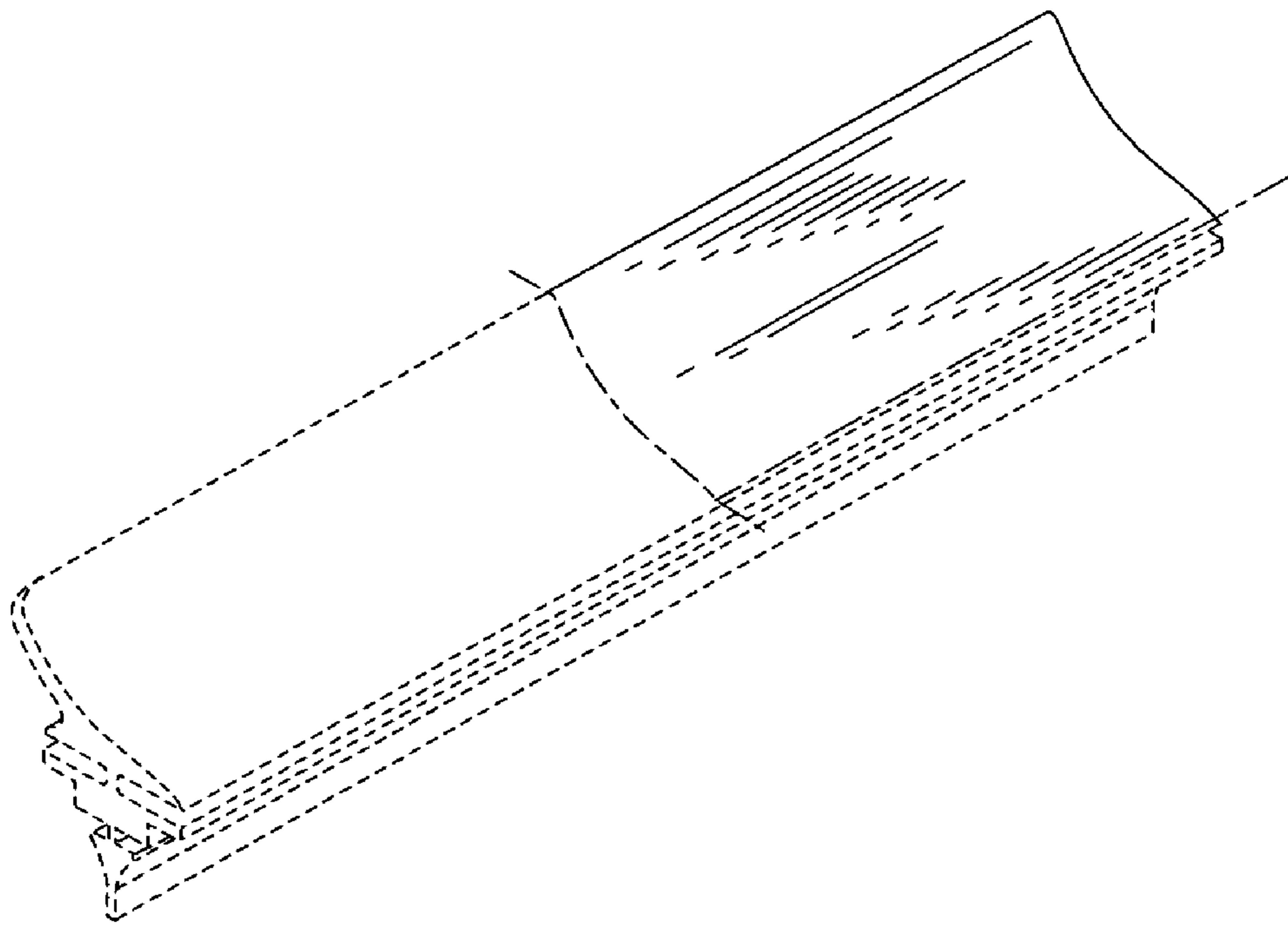


FIG . 9

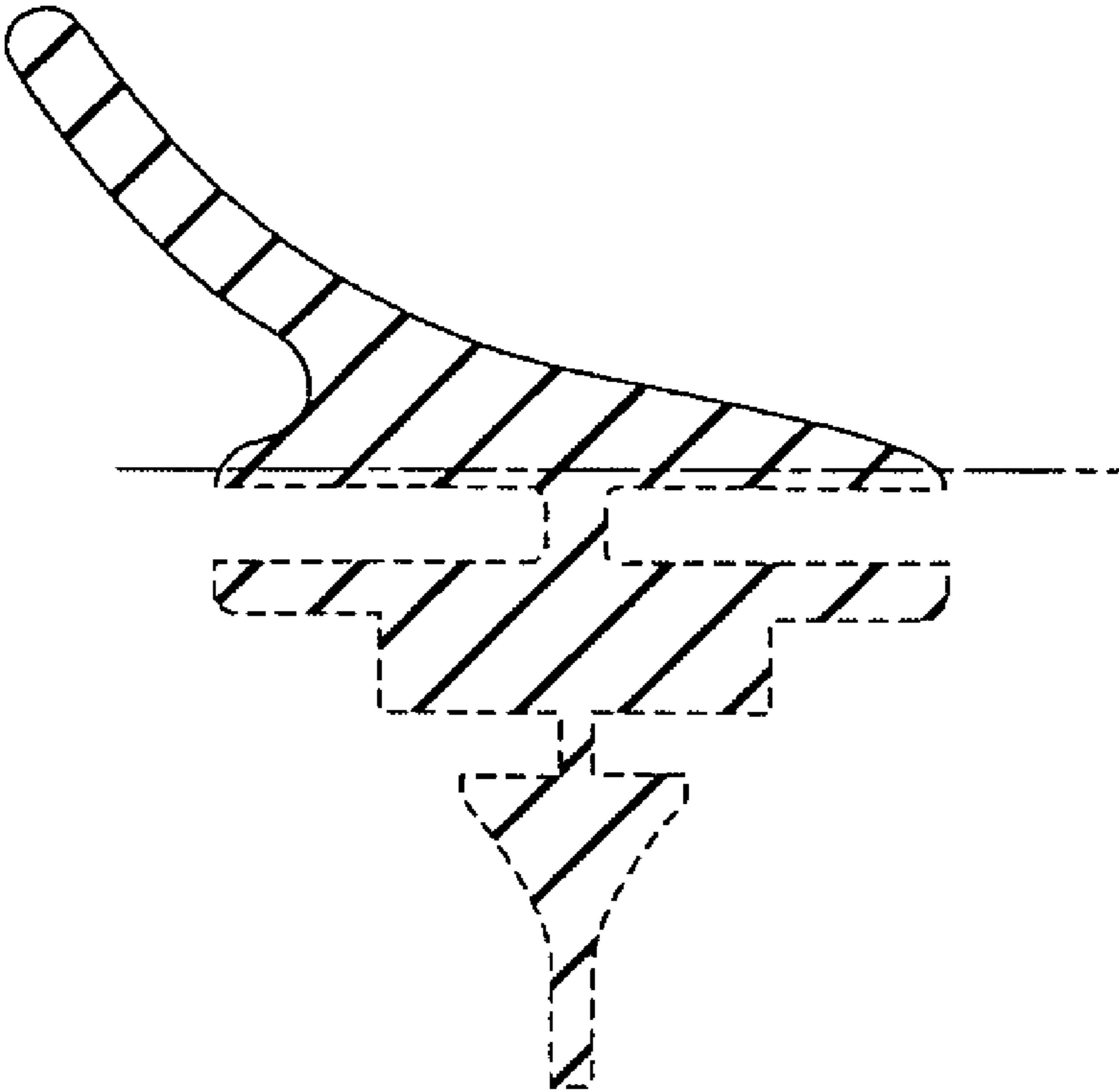


FIG. 10

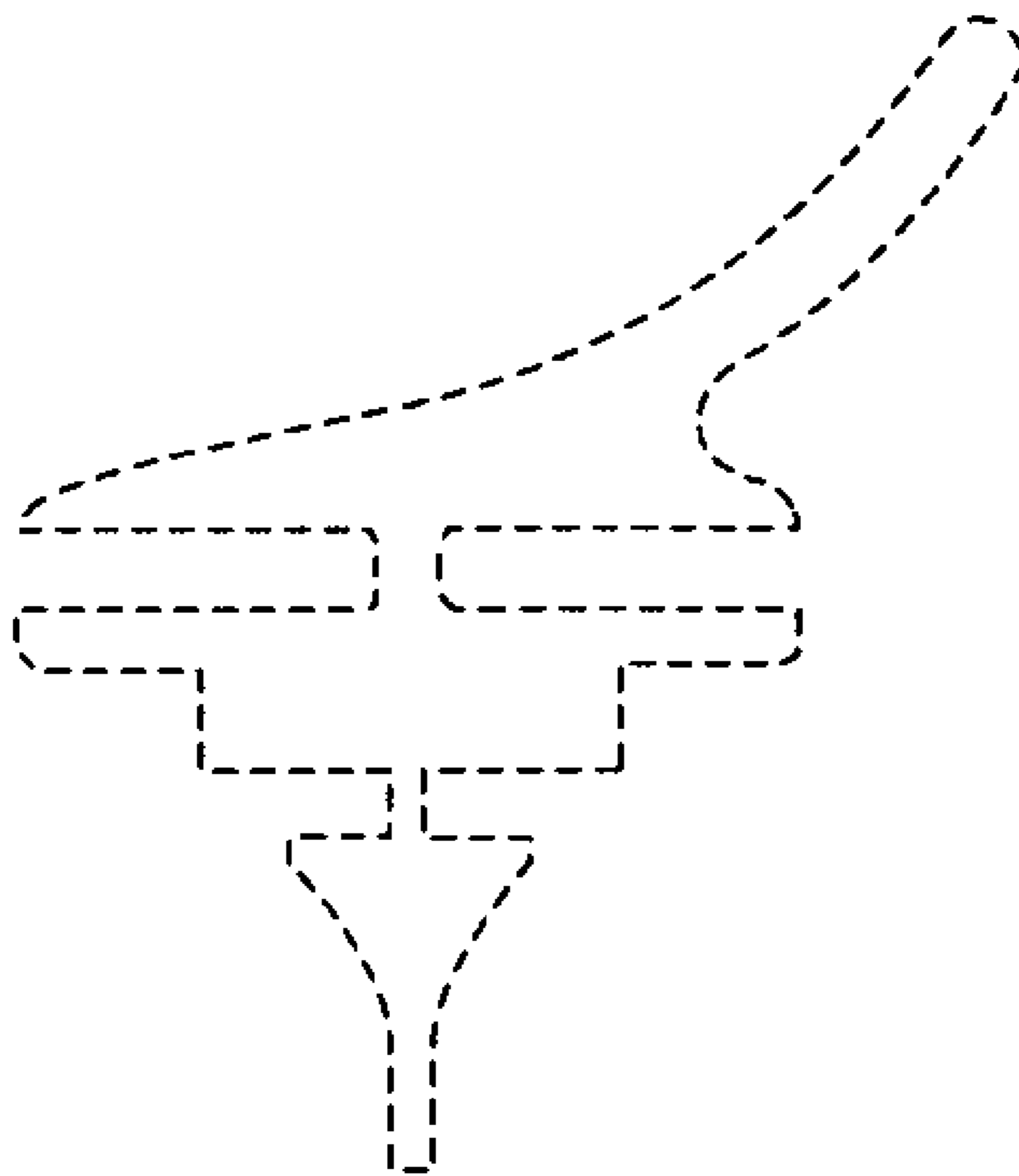


FIG. 11

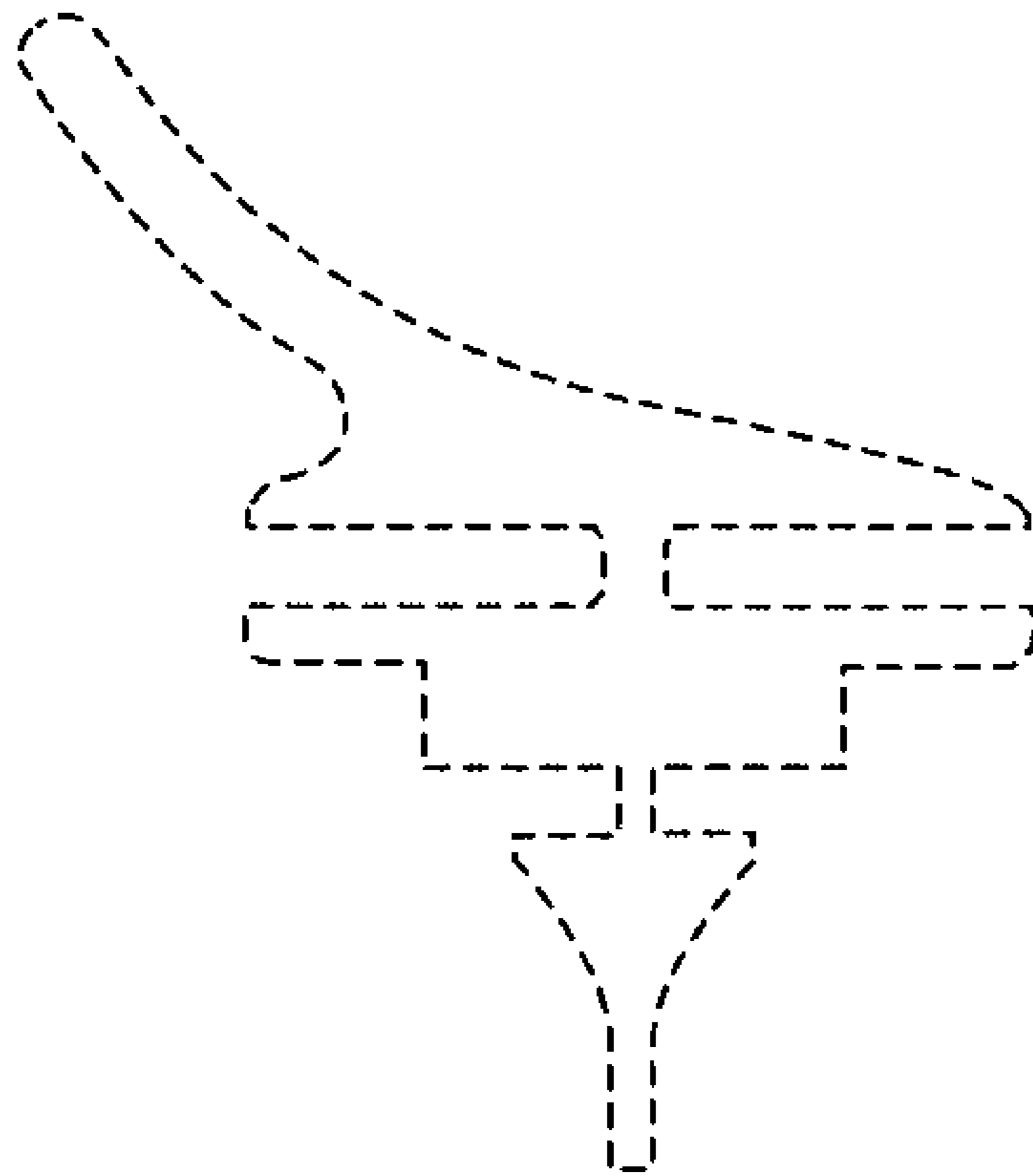


FIG. 12

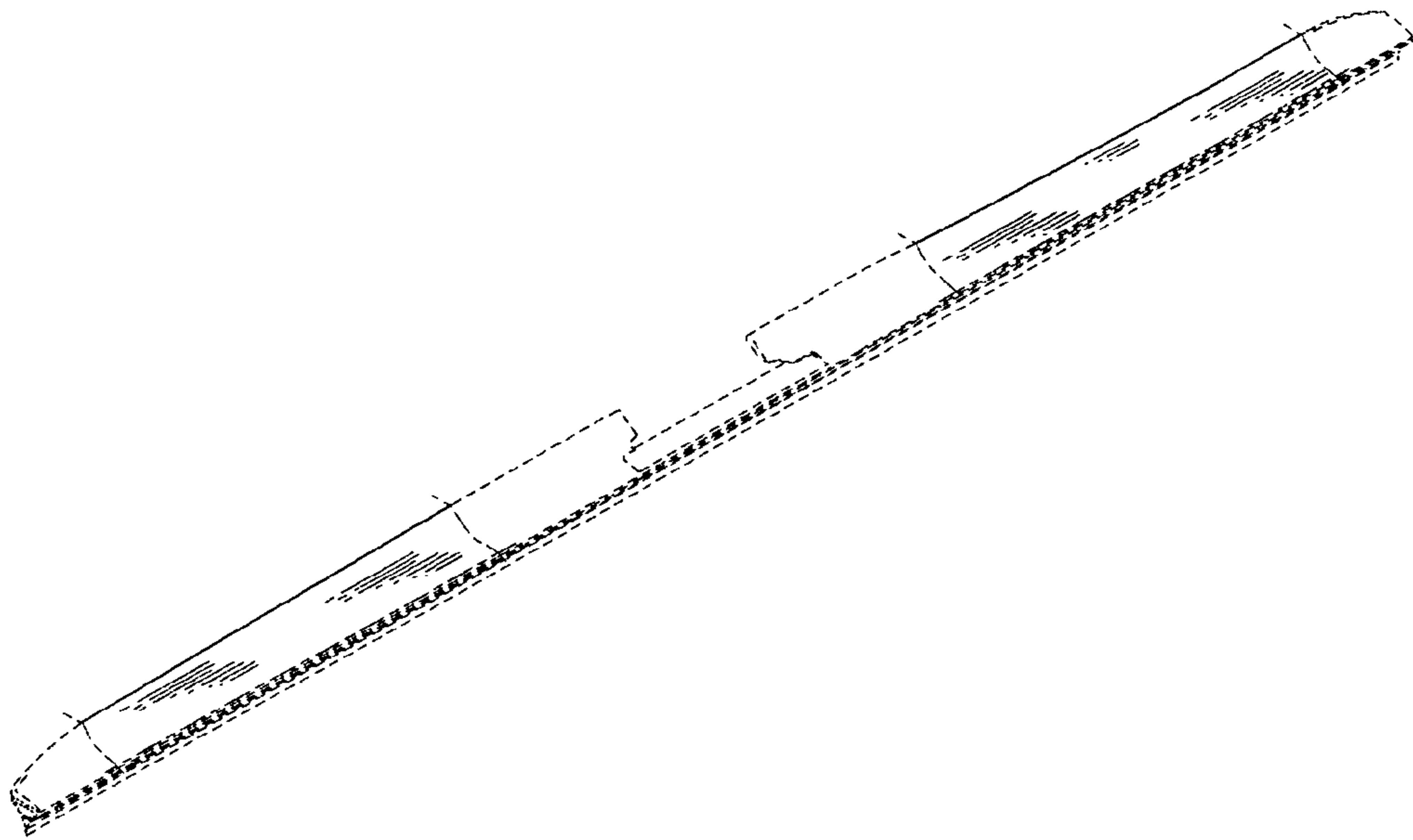


FIG. 13

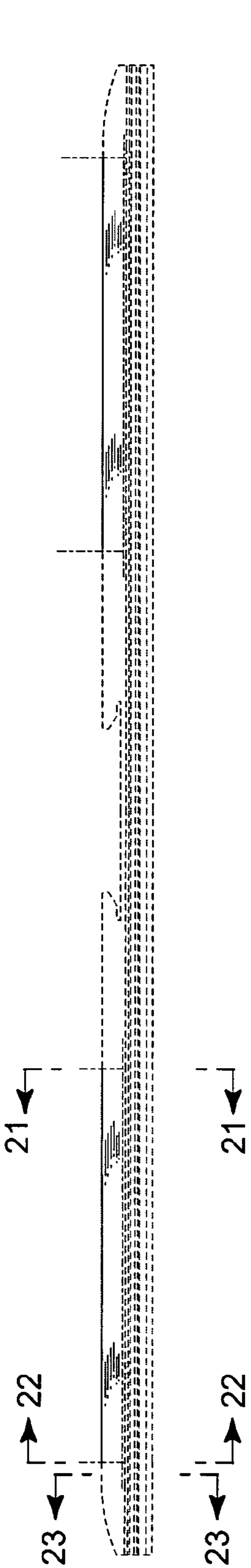


FIG. 14





FIG. 15

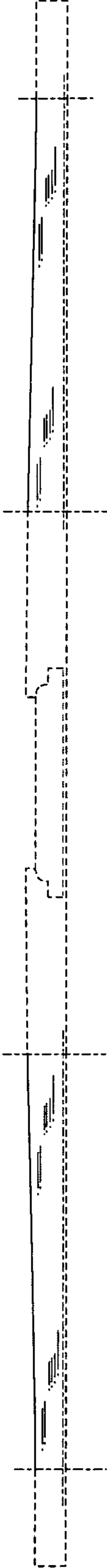
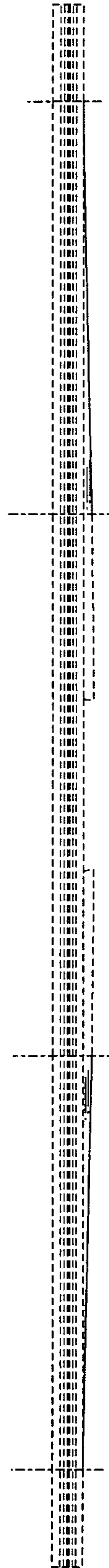


FIG. 16



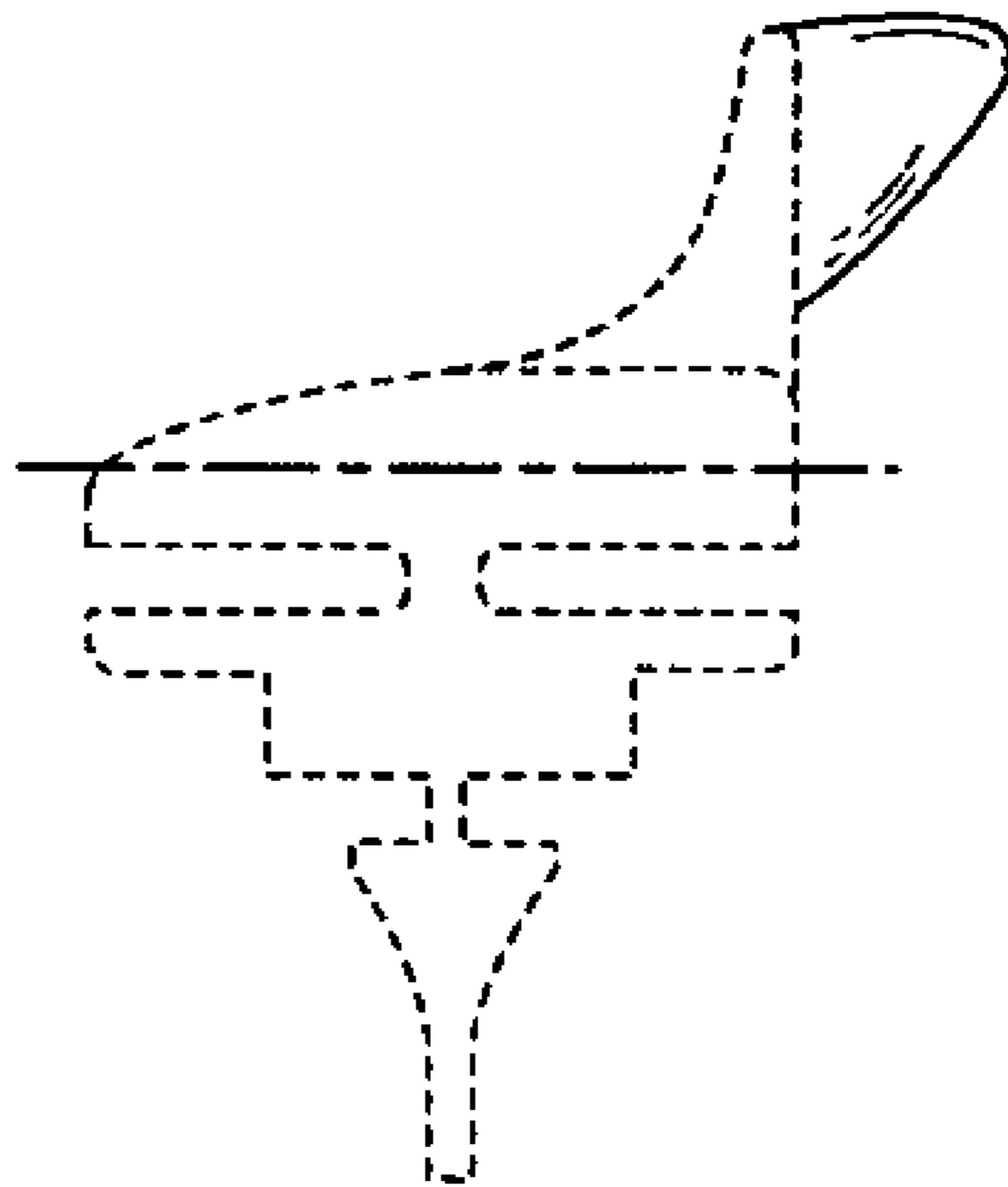
# FIG. 17



# FIG. 18



# FIG. 19



# FIG. 20

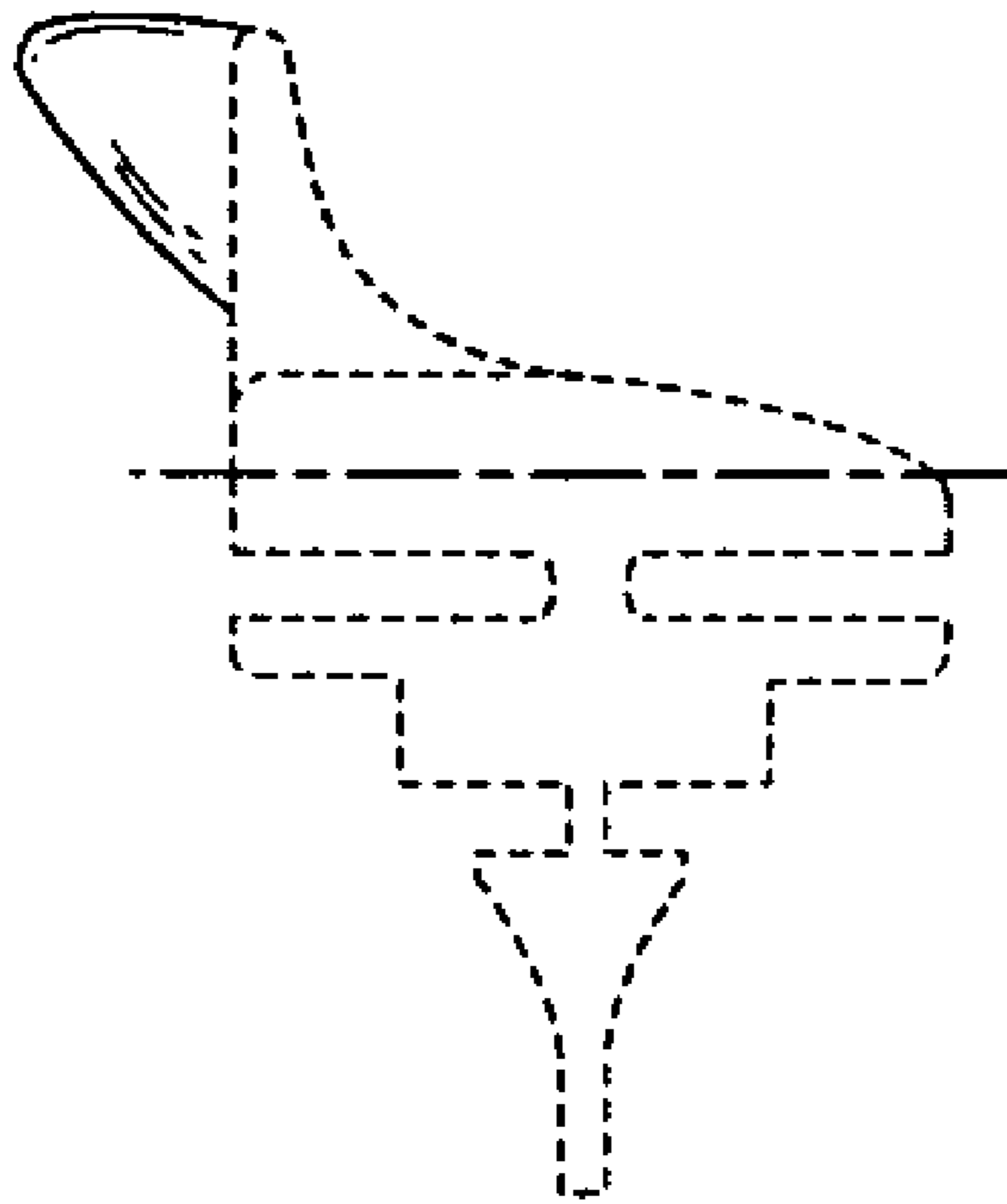
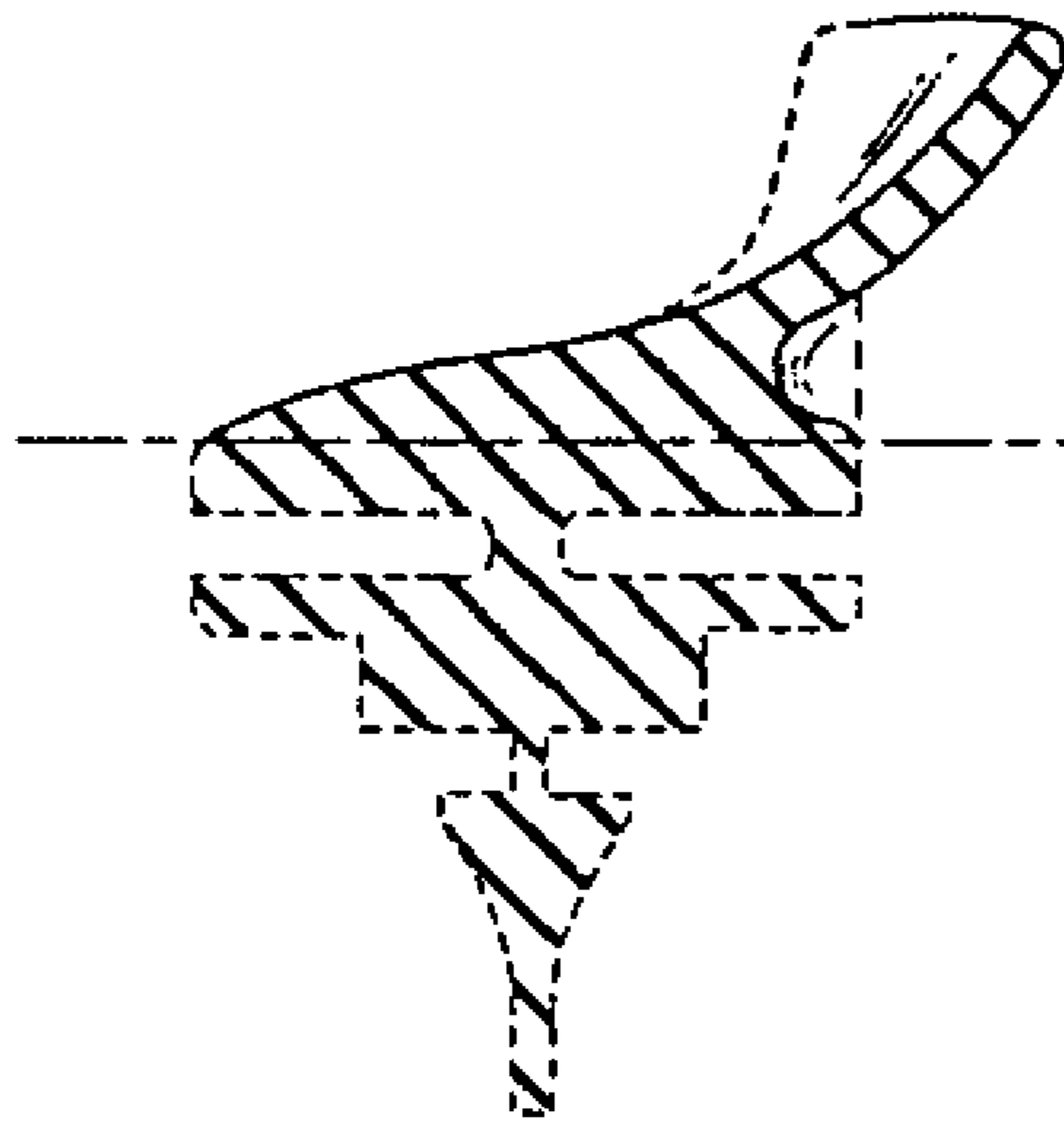


FIG. 21



# FIG. 22

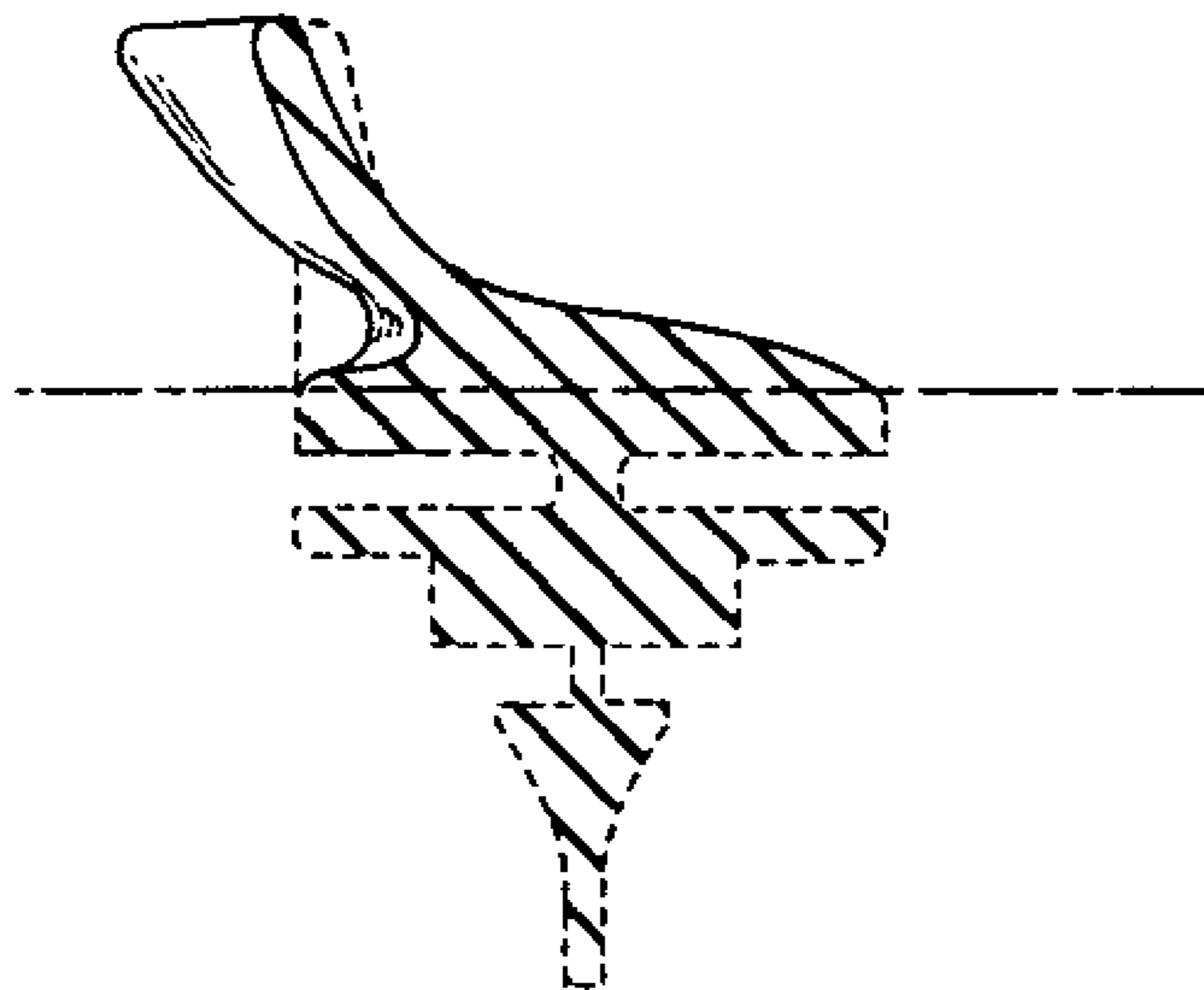




FIG . 23

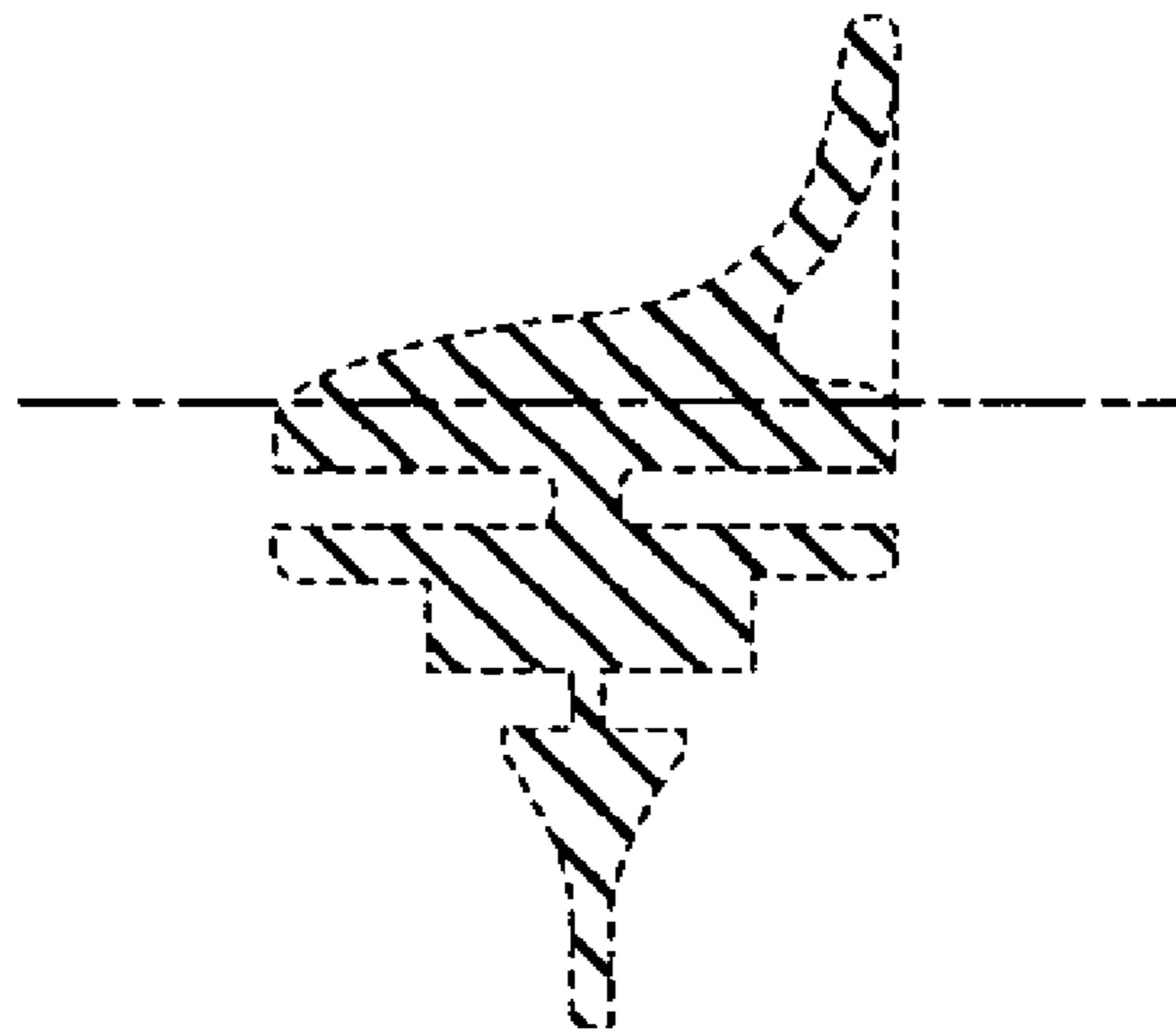


FIG.24

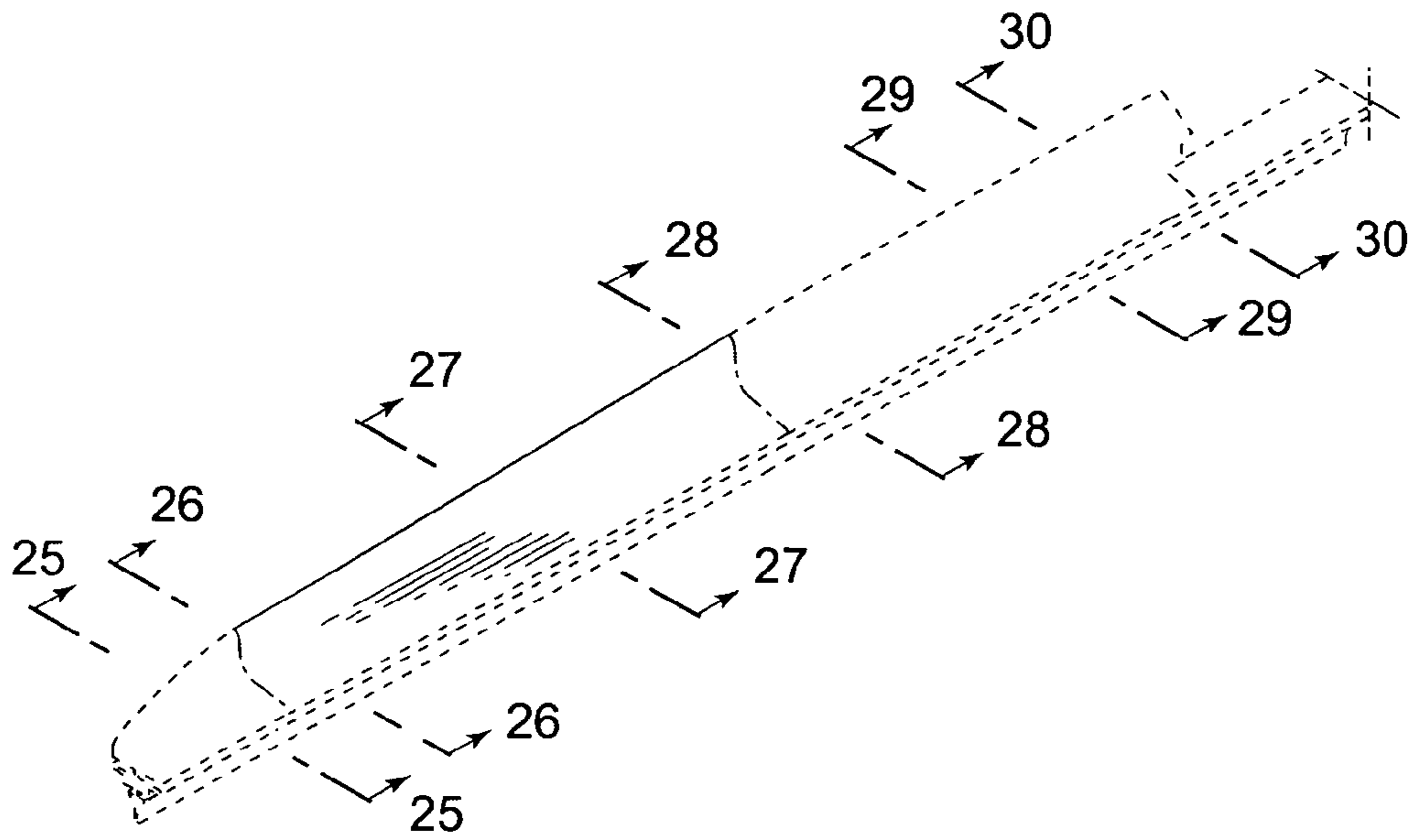
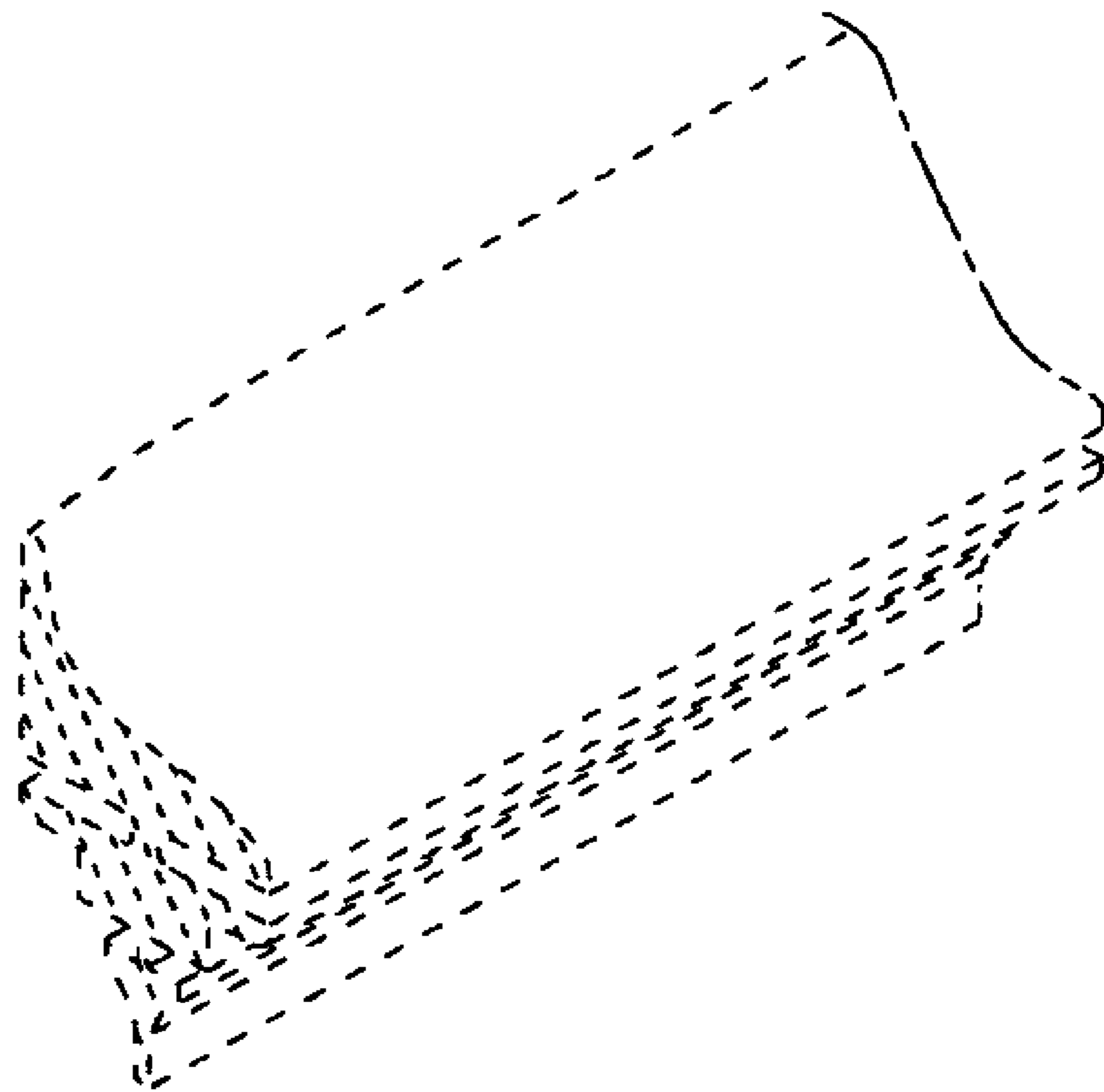


FIG.25



# FIG. 26

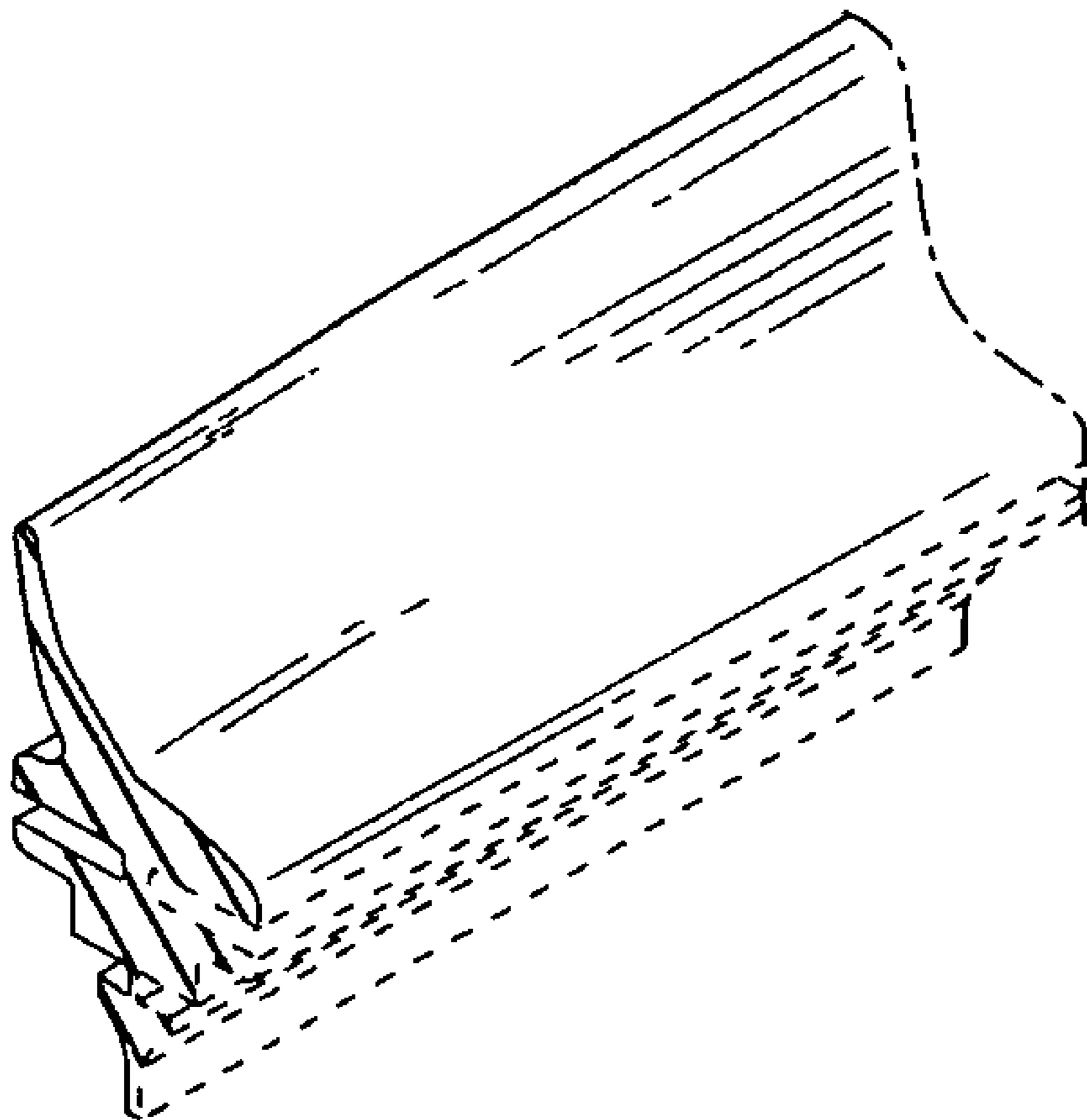
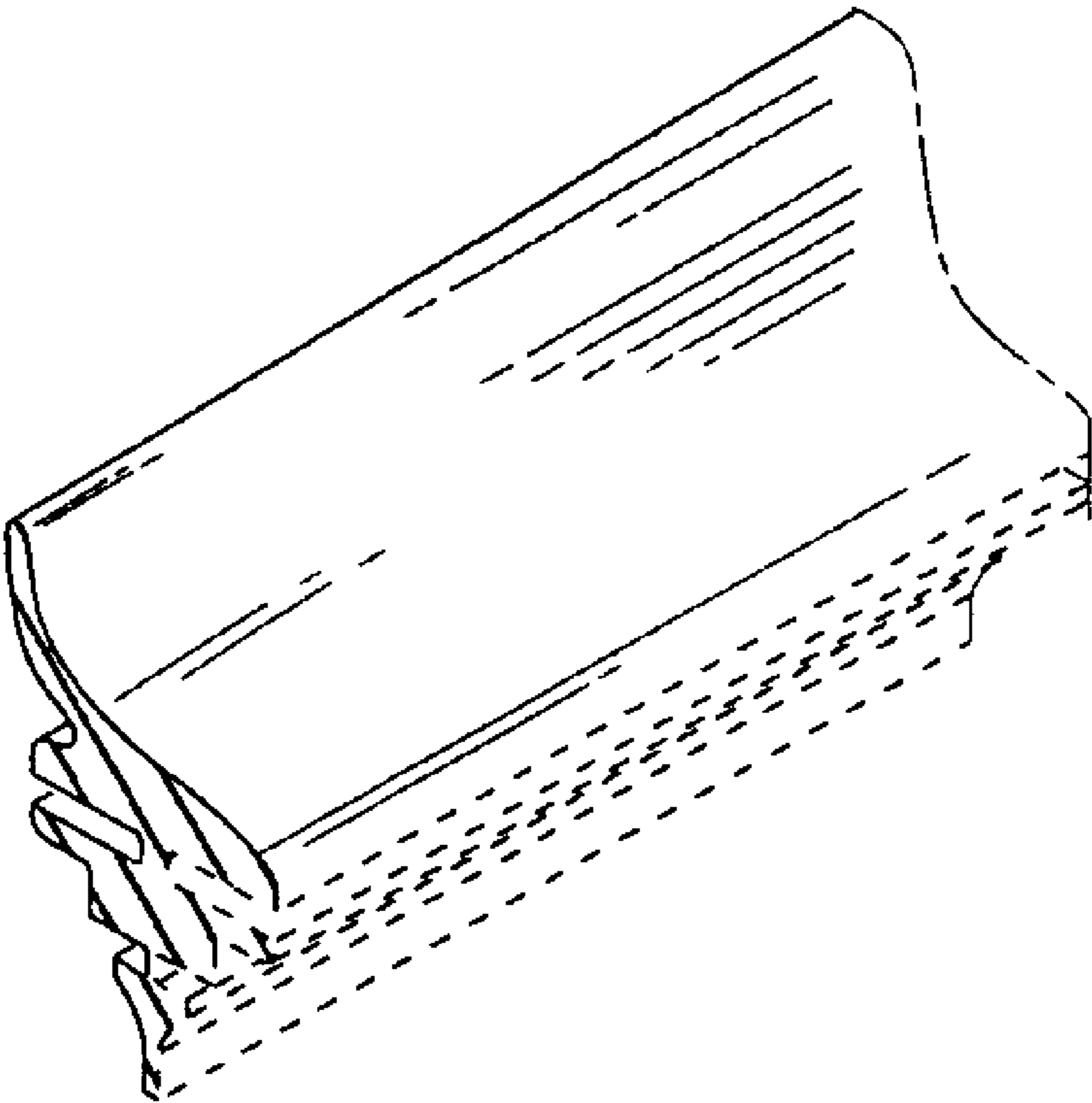


FIG.27



# FIG.28

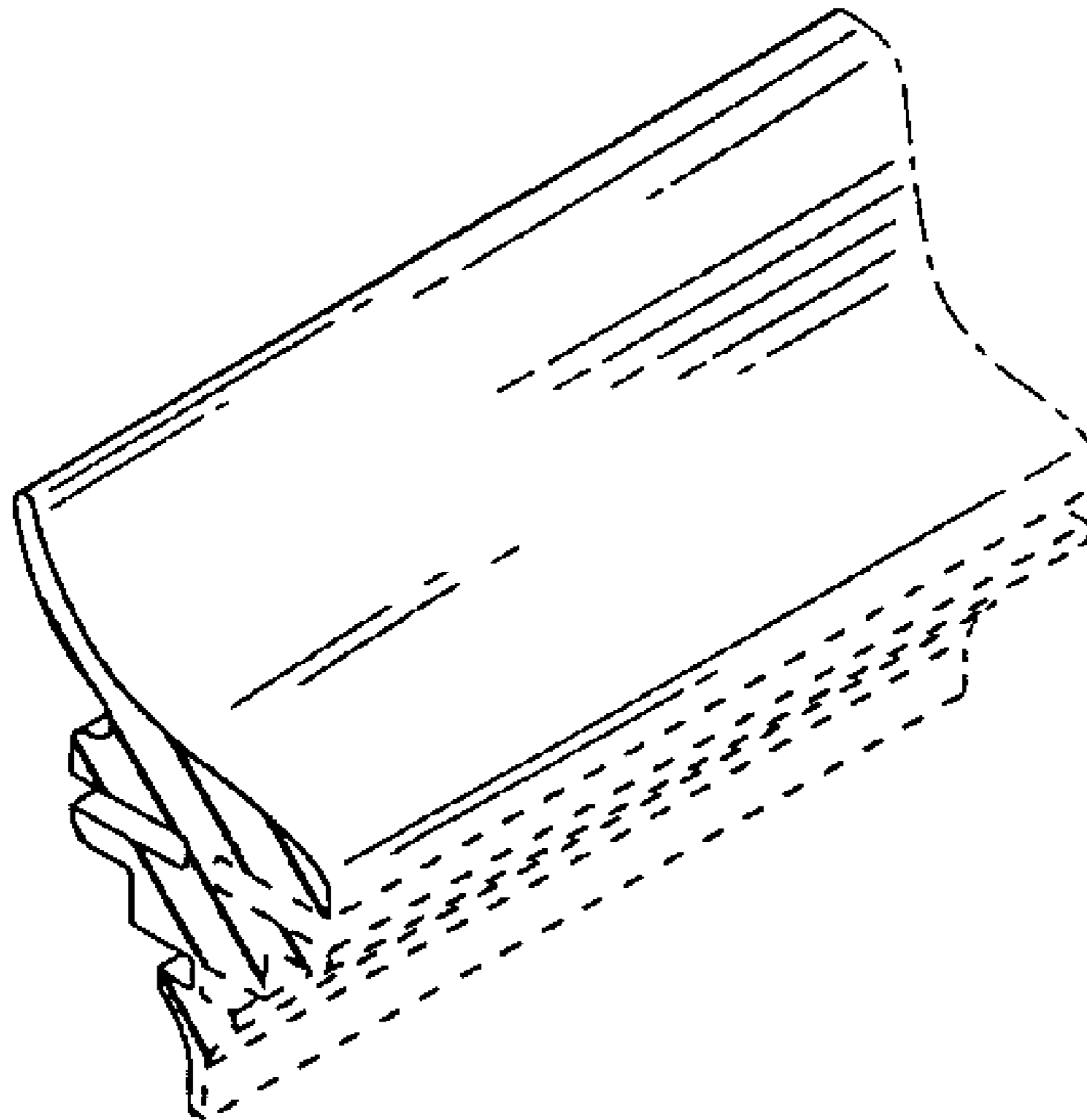


FIG.29

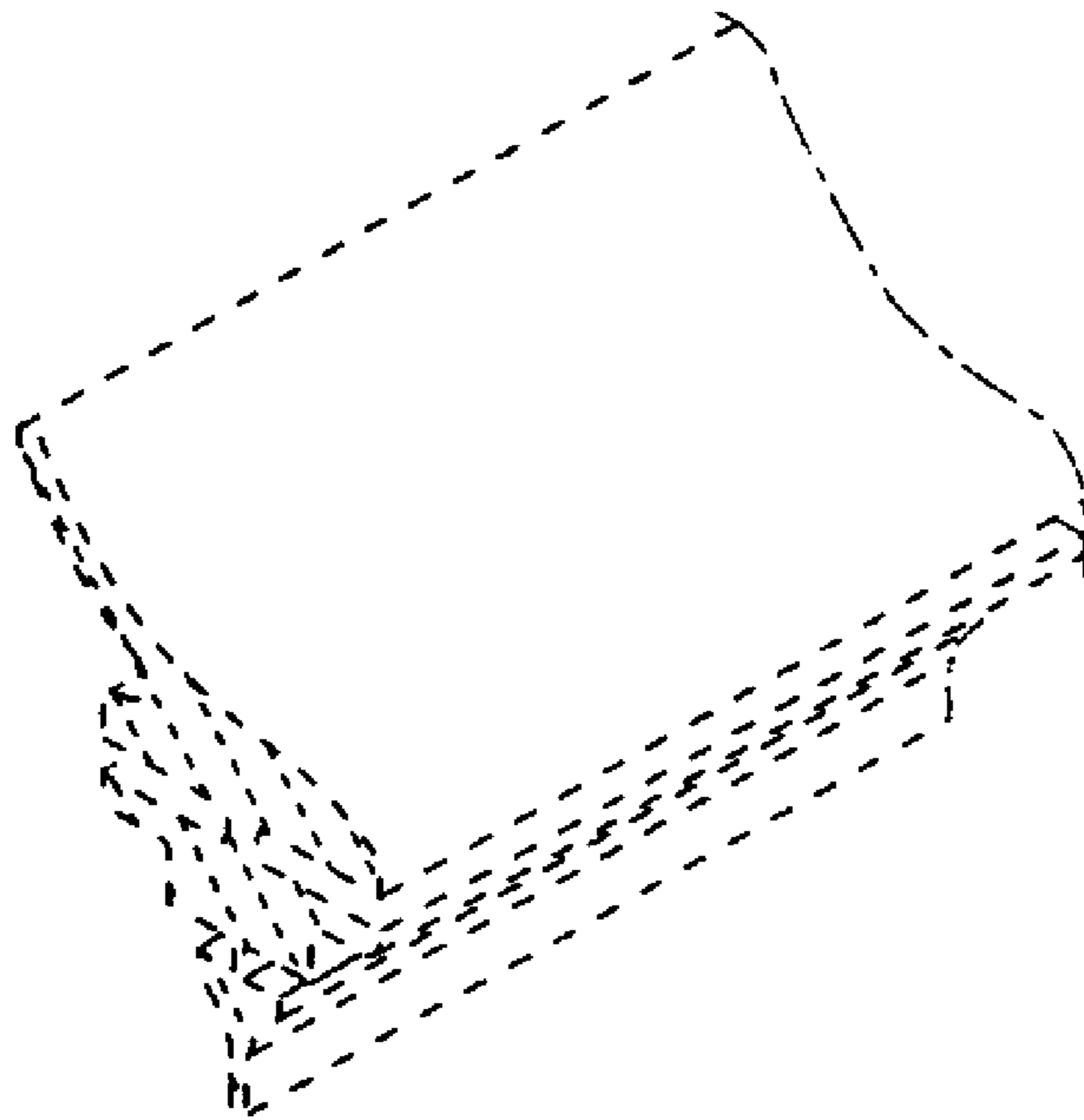


FIG.30

