



US00D633423S

(12) **United States Design Patent**
De Wind

(10) **Patent No.:** **US D633,423 S**
(45) **Date of Patent:** **** Mar. 1, 2011**

(54) **VEHICULAR ELECTRO-OPTIC MIRROR ASSEMBLY**

2010/0290141 A1* 11/2010 Huang 359/844

* cited by examiner

(75) Inventor: **Darryl P. De Wind**, West Olive, MI (US)

Primary Examiner—Caron Veynar
Assistant Examiner—Katrina A Kile

(73) Assignee: **Magna Mirrors of America, Inc.**, Holland, MI (US)

(74) *Attorney, Agent, or Firm*—Van Dyke, Gardner, Linn & Burkhart, LLP

(**) Term: **14 Years**

(57) **CLAIM**

The ornamental design for the vehicular electro-optic mirror assembly, as shown and described.

(21) Appl. No.: **29/375,886**

DESCRIPTION

(22) Filed: **Sep. 29, 2010**

(51) **LOC (9) Cl.** **12-16**

(52) **U.S. Cl.** **D12/187**

(58) **Field of Classification Search** D12/187,
D12/188, 189, 401; D6/300; 359/841, 838,
359/842–844, 868, 871, 604, 881, 514, 866;
248/479–483, 475.1

See application file for complete search history.

FIG. 1 is a front perspective view of a vehicular electro-optic mirror assembly in accordance with the present invention;

FIG. 2 is a rear perspective view of the vehicular electro-optic mirror assembly of FIG. 1;

FIG. 3 is a front elevation of the vehicular electro-optic mirror assembly of FIG. 1;

FIG. 4 is a rear elevation of the vehicular electro-optic mirror assembly of FIG. 1;

FIG. 5 is a side elevation of the vehicular electro-optic mirror assembly of FIG. 1;

FIG. 6 is an opposite side elevation of the vehicular electro-optic mirror assembly of FIG. 1;

FIG. 7 is a top plan view of the vehicular electro-optic mirror assembly of FIG. 1; and,

FIG. 8 is a bottom plan view of the vehicular electro-optic mirror assembly of FIG. 1.

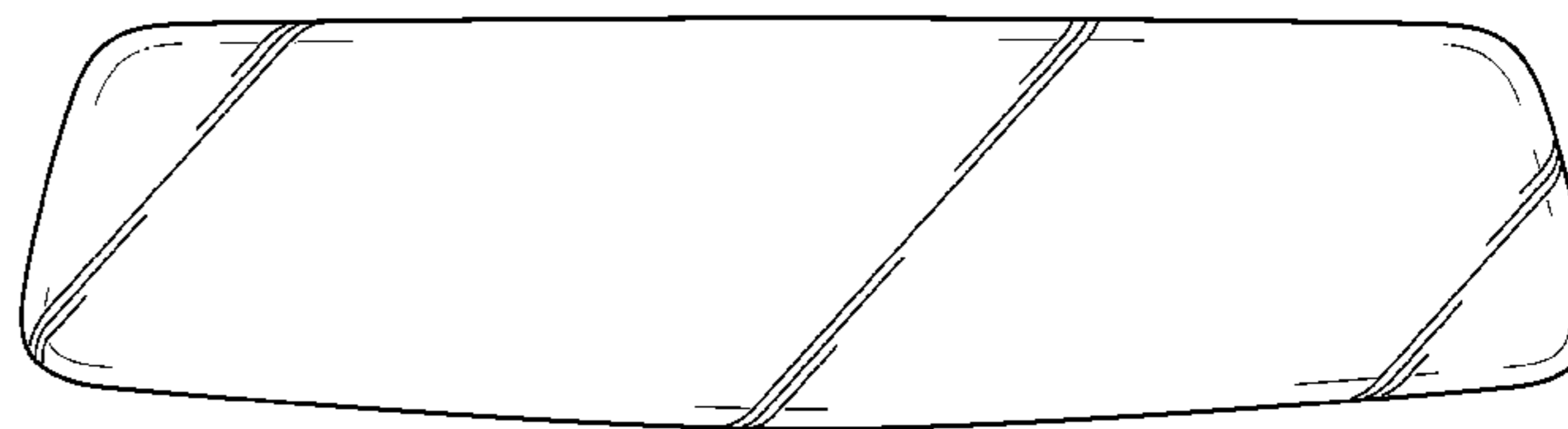
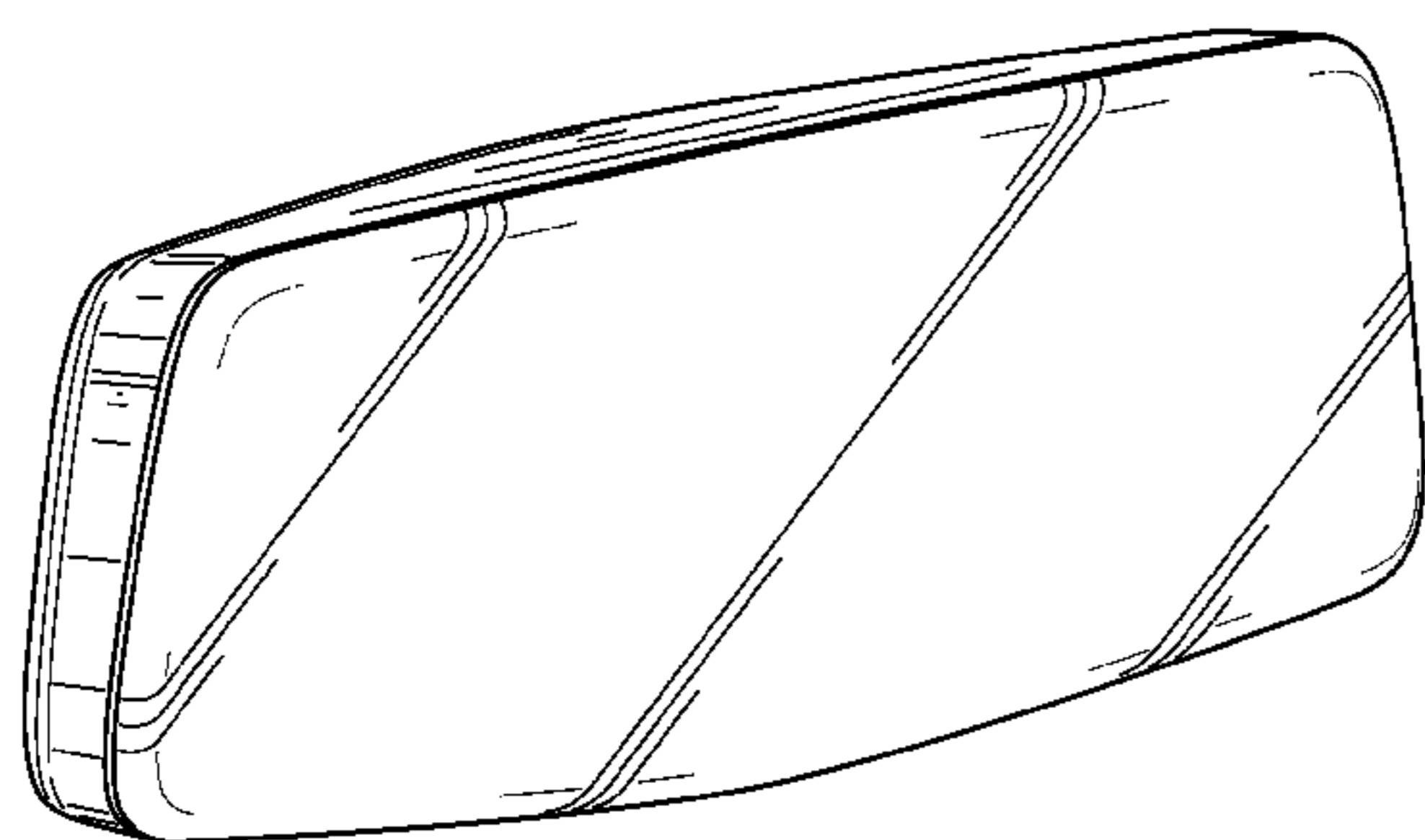
The broken lines in the drawings are for illustrative purposes only and form no part of the claimed design.

(56) **References Cited**

U.S. PATENT DOCUMENTS

7,821,697	B2 *	10/2010	Varaprasad et al.	359/267
2002/0097494	A1 *	7/2002	Waldmann	359/603
2008/0266389	A1 *	10/2008	DeWind et al.	348/115
2009/0091489	A1 *	4/2009	Banko et al.	342/20
2009/0207514	A1 *	8/2009	McCabe et al.	359/871
2009/0213480	A1 *	8/2009	Li	359/844
2009/0237821	A1 *	9/2009	Li	359/844
2009/0244740	A1 *	10/2009	Takayanagi et al.	359/839
2010/0085645	A1 *	4/2010	Skiver et al.	359/604
2010/0091394	A1 *	4/2010	DeWind et al.	359/838

1 Claim, 5 Drawing Sheets



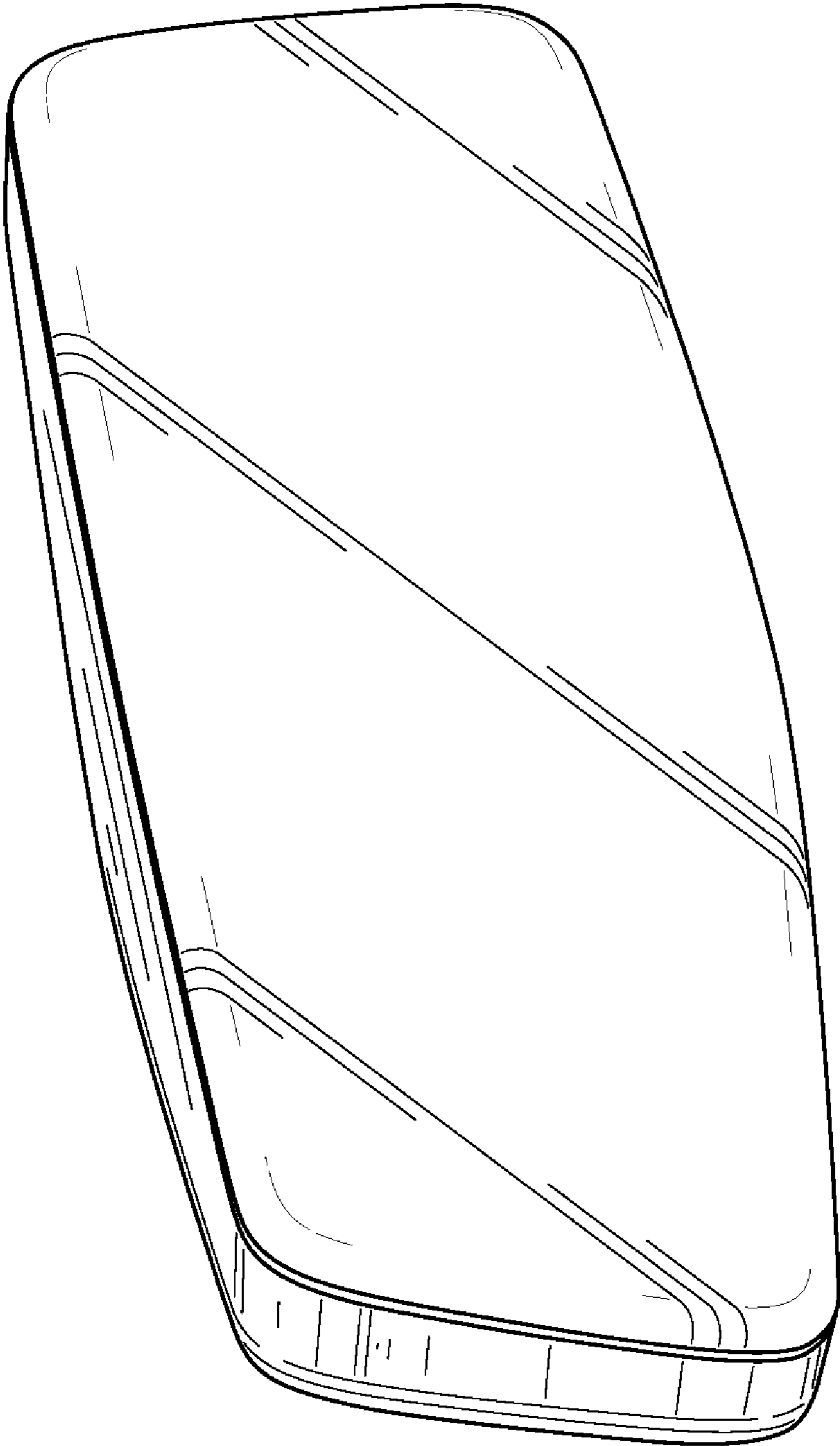


FIG. 1

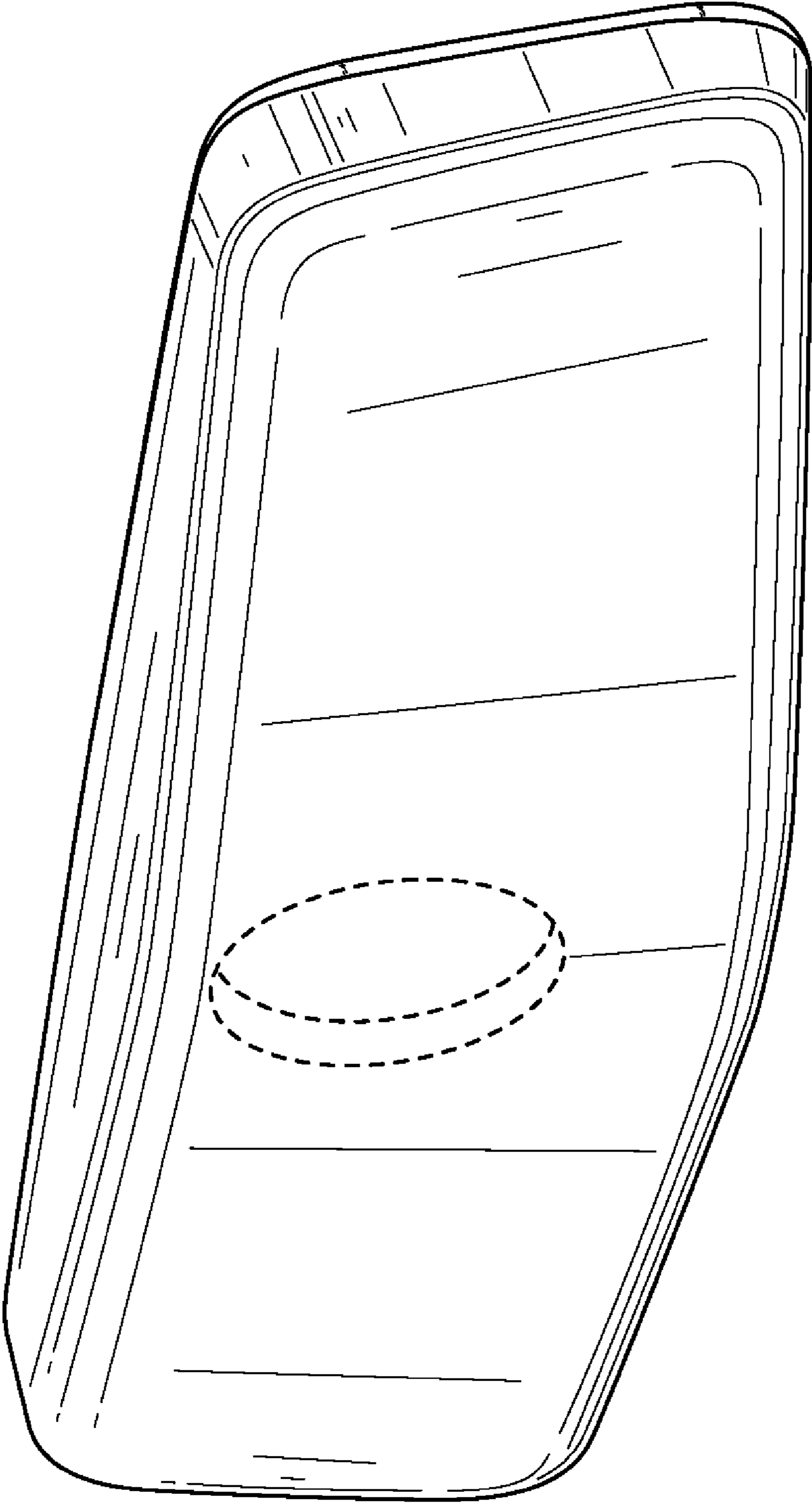


FIG. 2

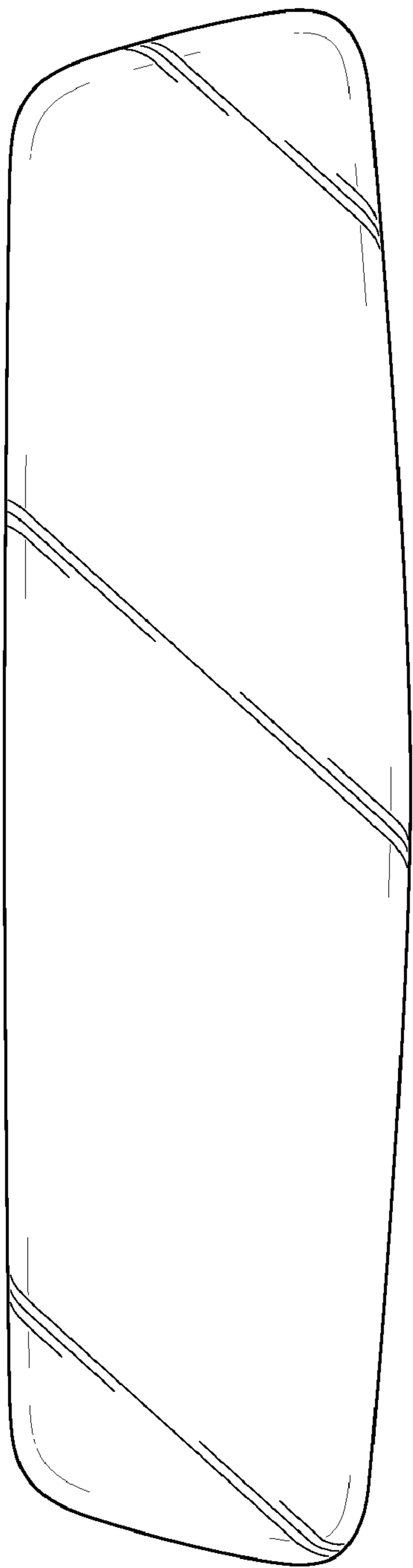


FIG. 3

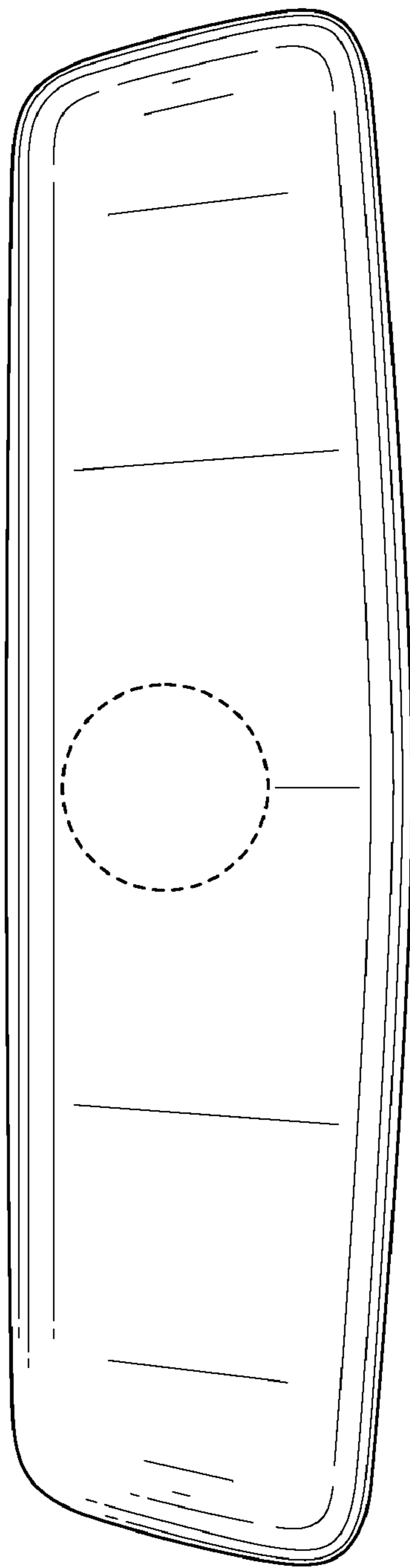


FIG. 4

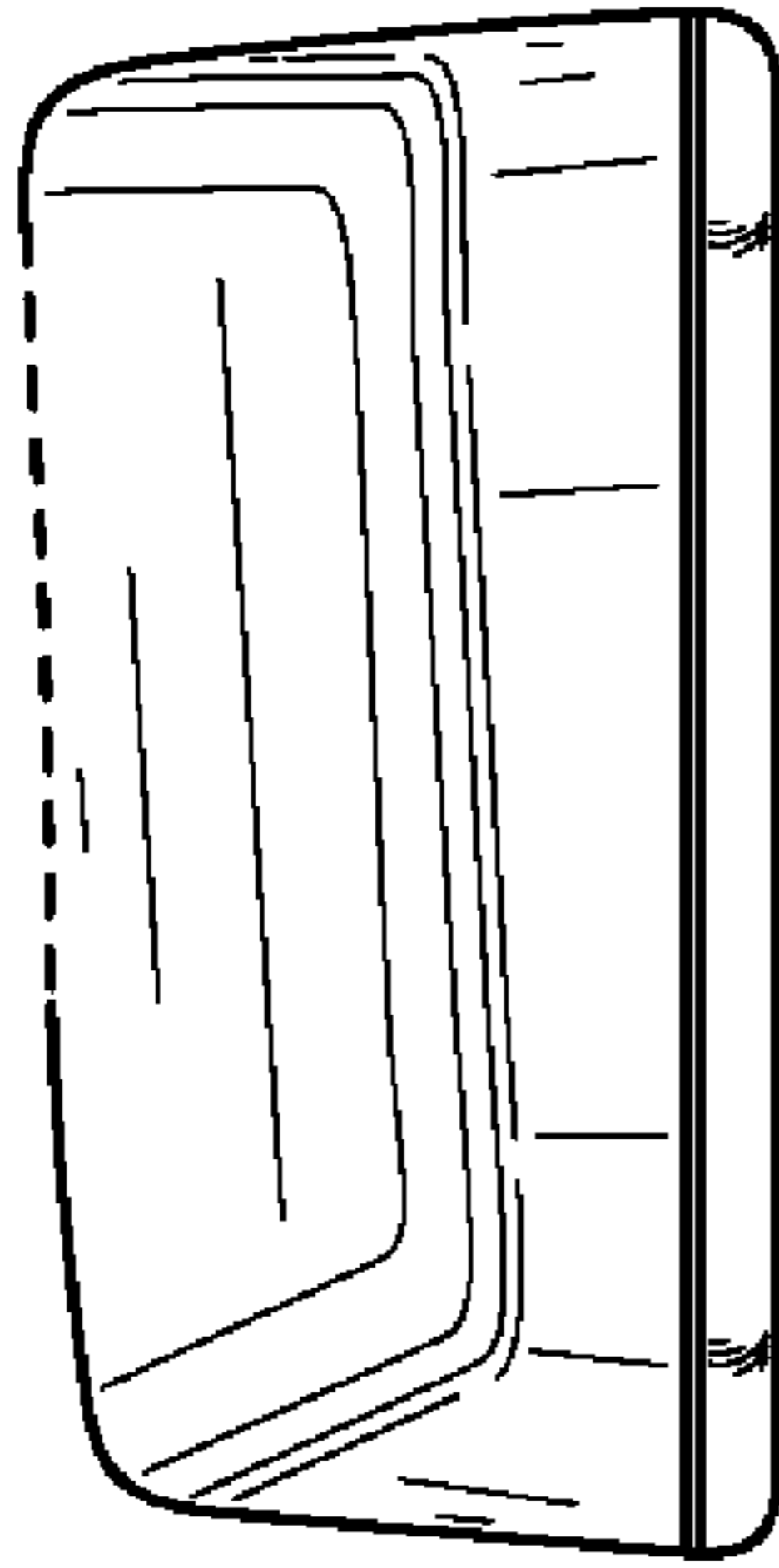


FIG. 5

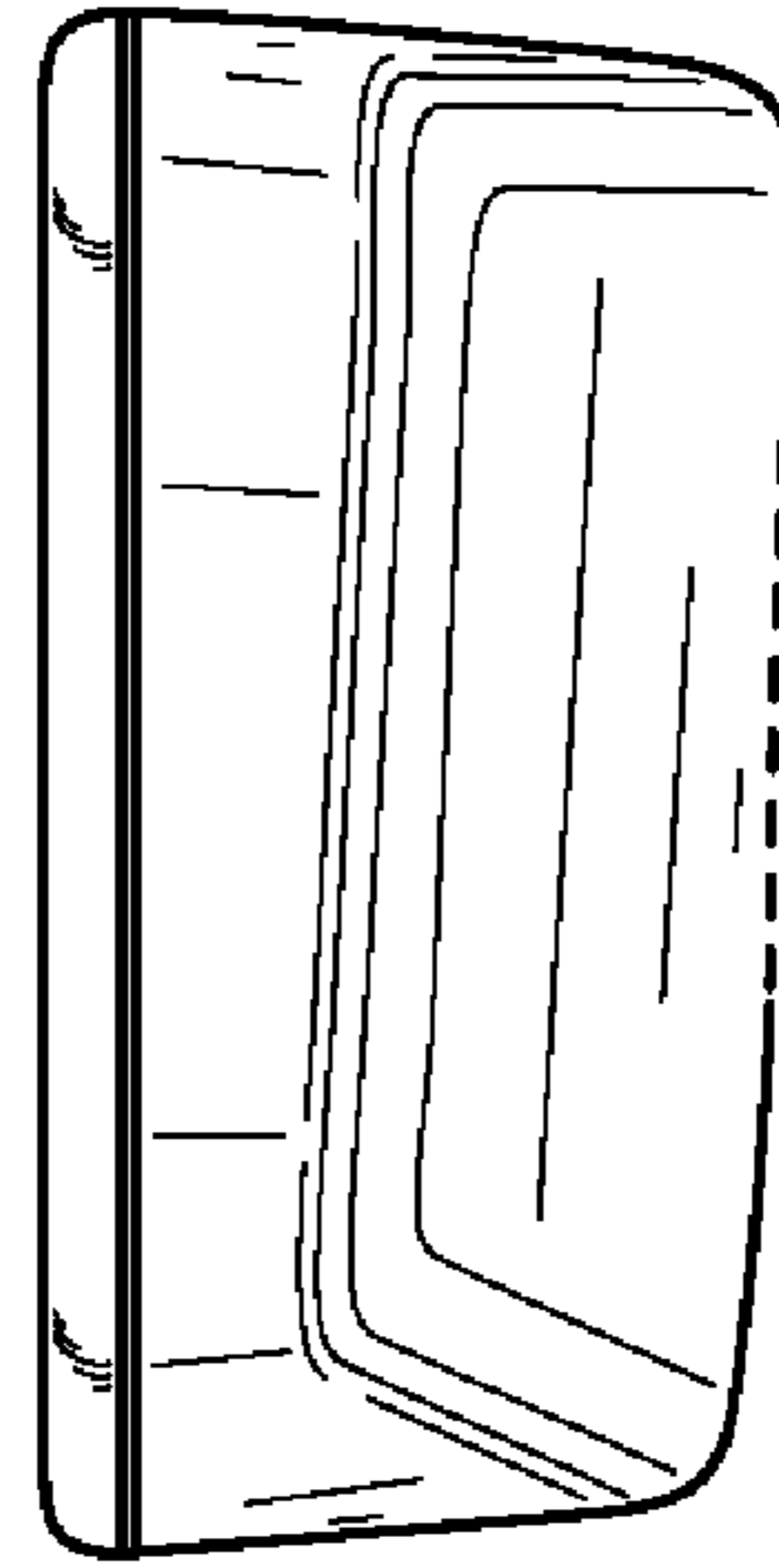


FIG. 6

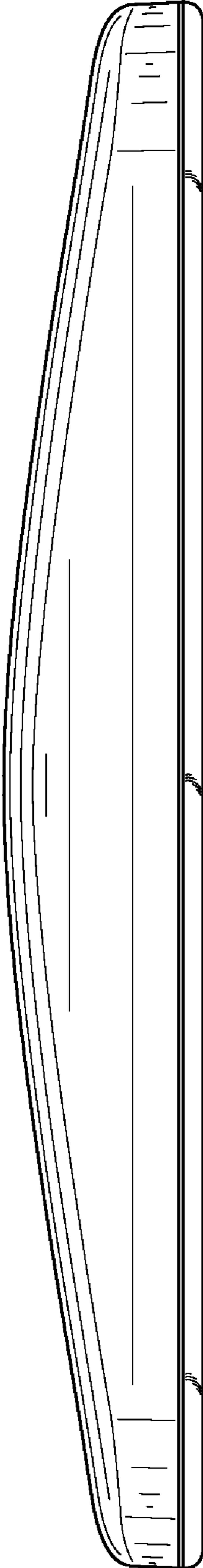


FIG. 7

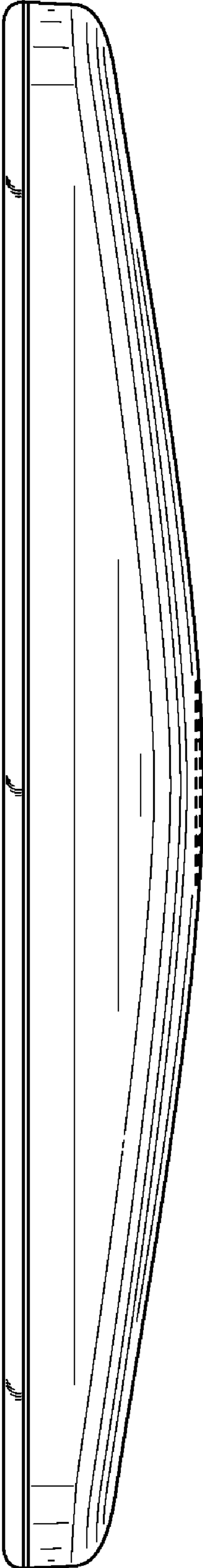


FIG. 8