



US00D633420S

(12) **United States Design Patent**  
**Drake**

(10) **Patent No.:** **US D633,420 S**

(45) **Date of Patent:** **\*\* Mar. 1, 2011**

(54) **PEDAL PAD**

D590,309 S \* 4/2009 Higashikawa ..... D12/174

(76) Inventor: **Robert Allen Drake**, Grants Pass, OR  
(US)

\* cited by examiner

*Primary Examiner*—Melody N Brown

(74) *Attorney, Agent, or Firm*—Jerry Haynes Law

(\*\*) Term: **14 Years**

(21) Appl. No.: **29/351,433**

(57) **CLAIM**

(22) Filed: **Dec. 4, 2009**

The ornamental design for a pedal pad, as shown and described.

(51) **LOC (9) Cl.** ..... **12-16**

(52) **U.S. Cl.** ..... **D12/174**

(58) **Field of Classification Search** ..... D12/174;  
74/560–563, 594.4; 280/259, 291; 403/257  
See application file for complete search history.

**DESCRIPTION**

FIG. 1 is a perspective view of a first embodiment of a pedal pad showing my new design;

FIG. 2 is a front view, and the rear view being a mirror image thereof;

FIG. 3 is a right side view, and the left side view being a mirror image thereof;

FIG. 4 is a bottom view thereof; and,

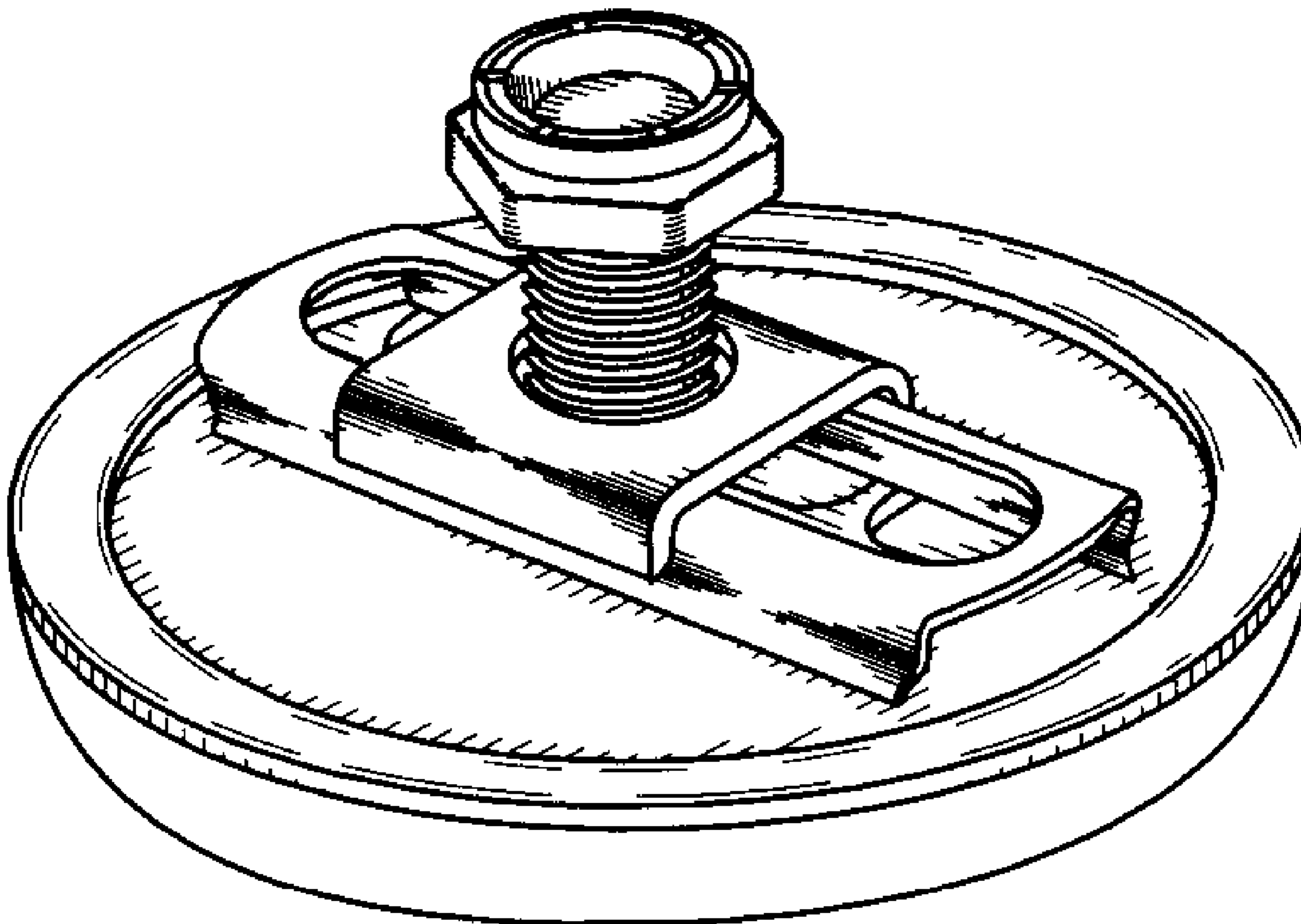
FIG. 5 is a top thereof.

(56) **References Cited**

U.S. PATENT DOCUMENTS

- 4,450,733 A \* 5/1984 Rantapaa ..... 74/562
- D325,628 S \* 4/1992 Cho ..... D23/370
- D443,569 S \* 6/2001 Jindo ..... D12/174
- D452,467 S \* 12/2001 Lane ..... D12/174
- 7,240,582 B1 \* 7/2007 Manaras et al. .... 74/567

**1 Claim, 1 Drawing Sheet**



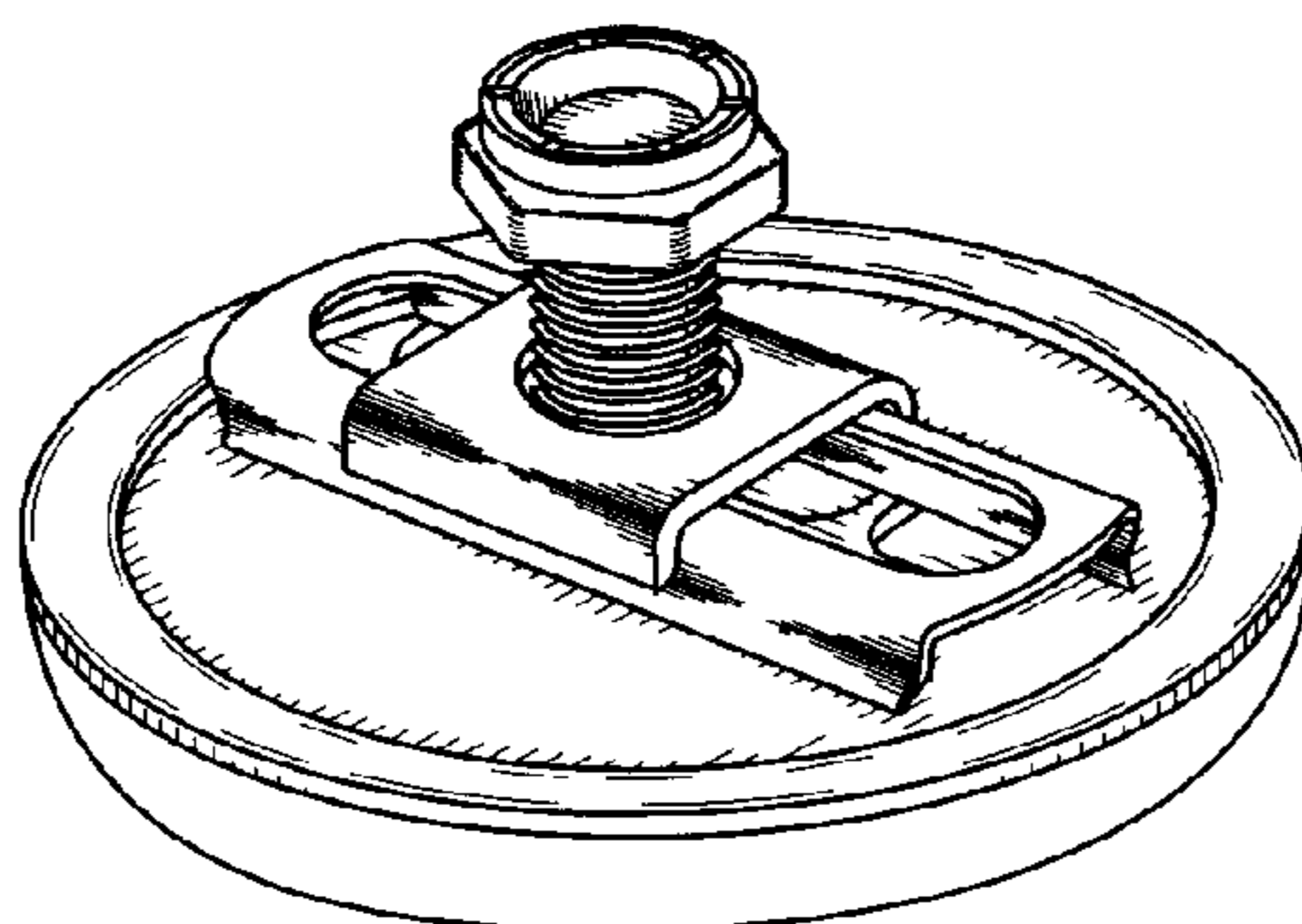


FIG. 1

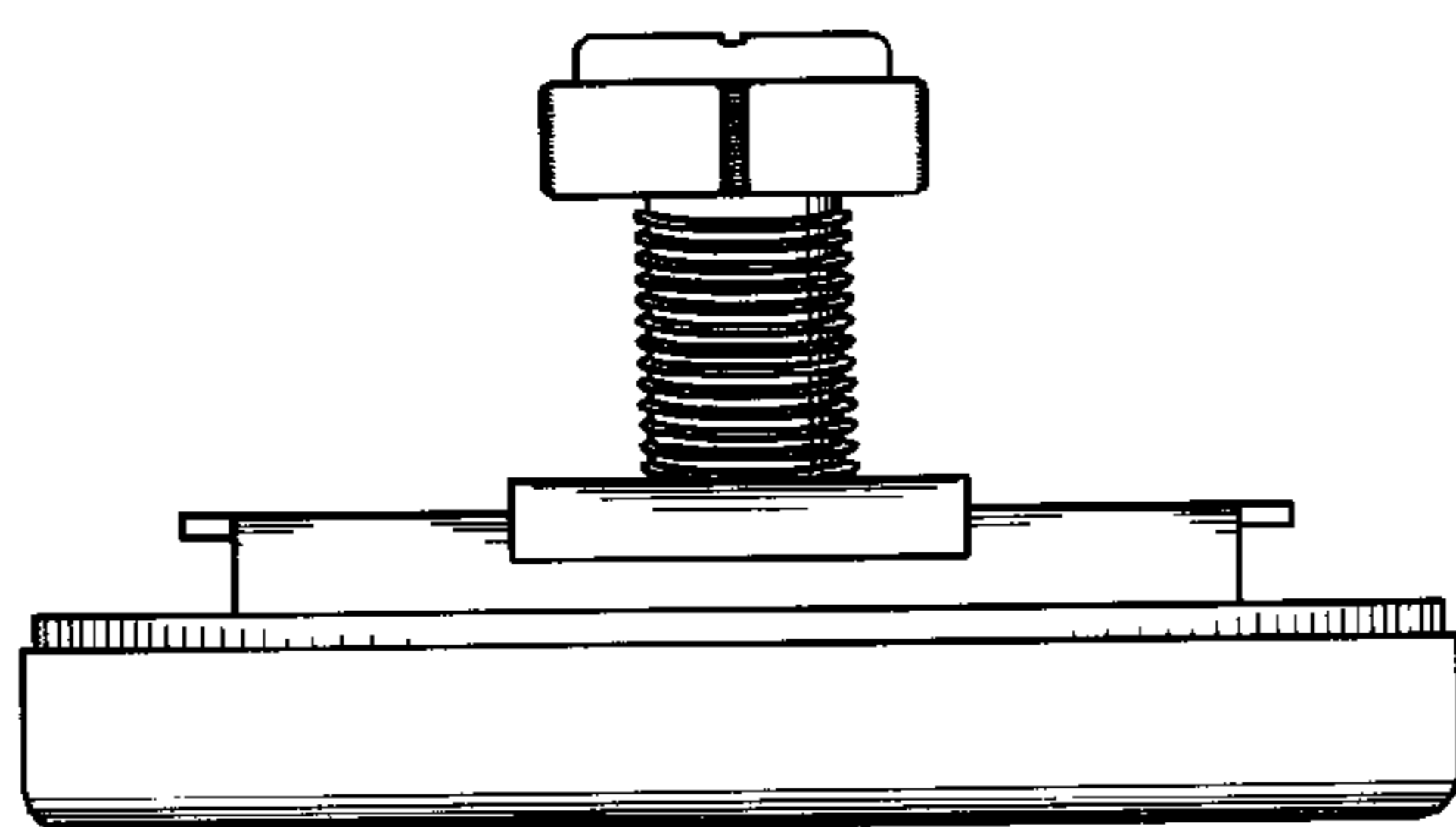


FIG. 2

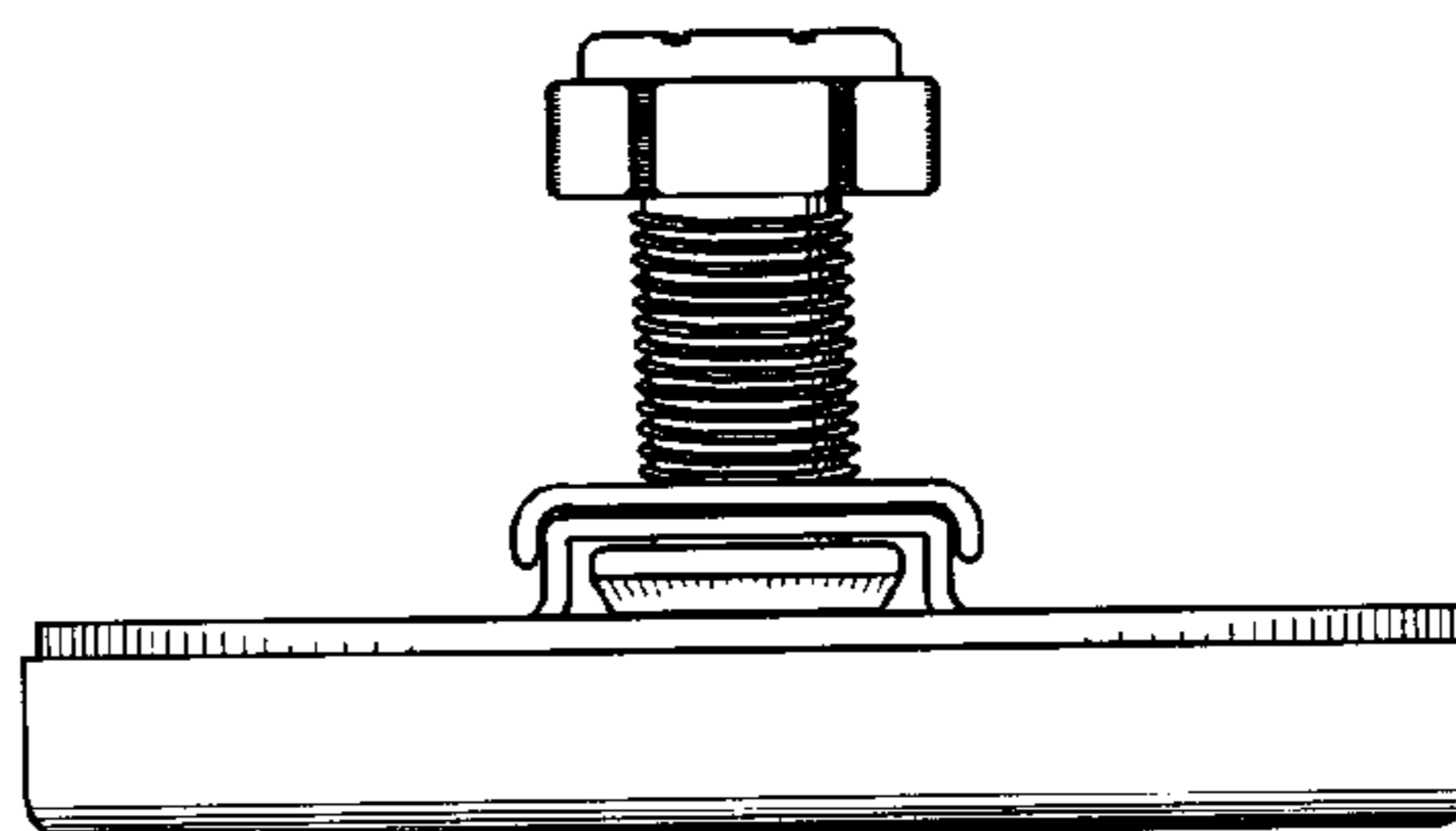


FIG. 3

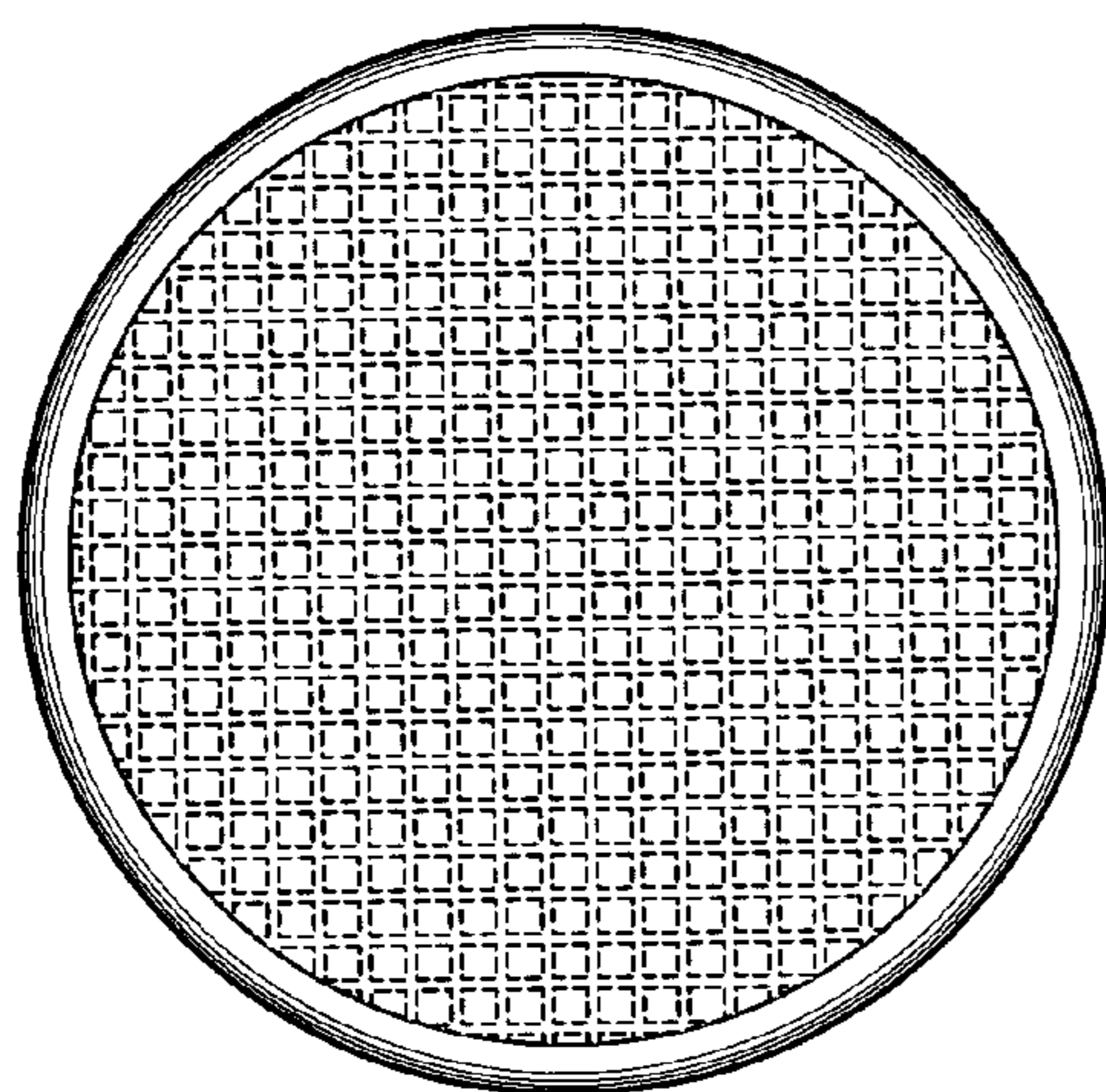


FIG. 4

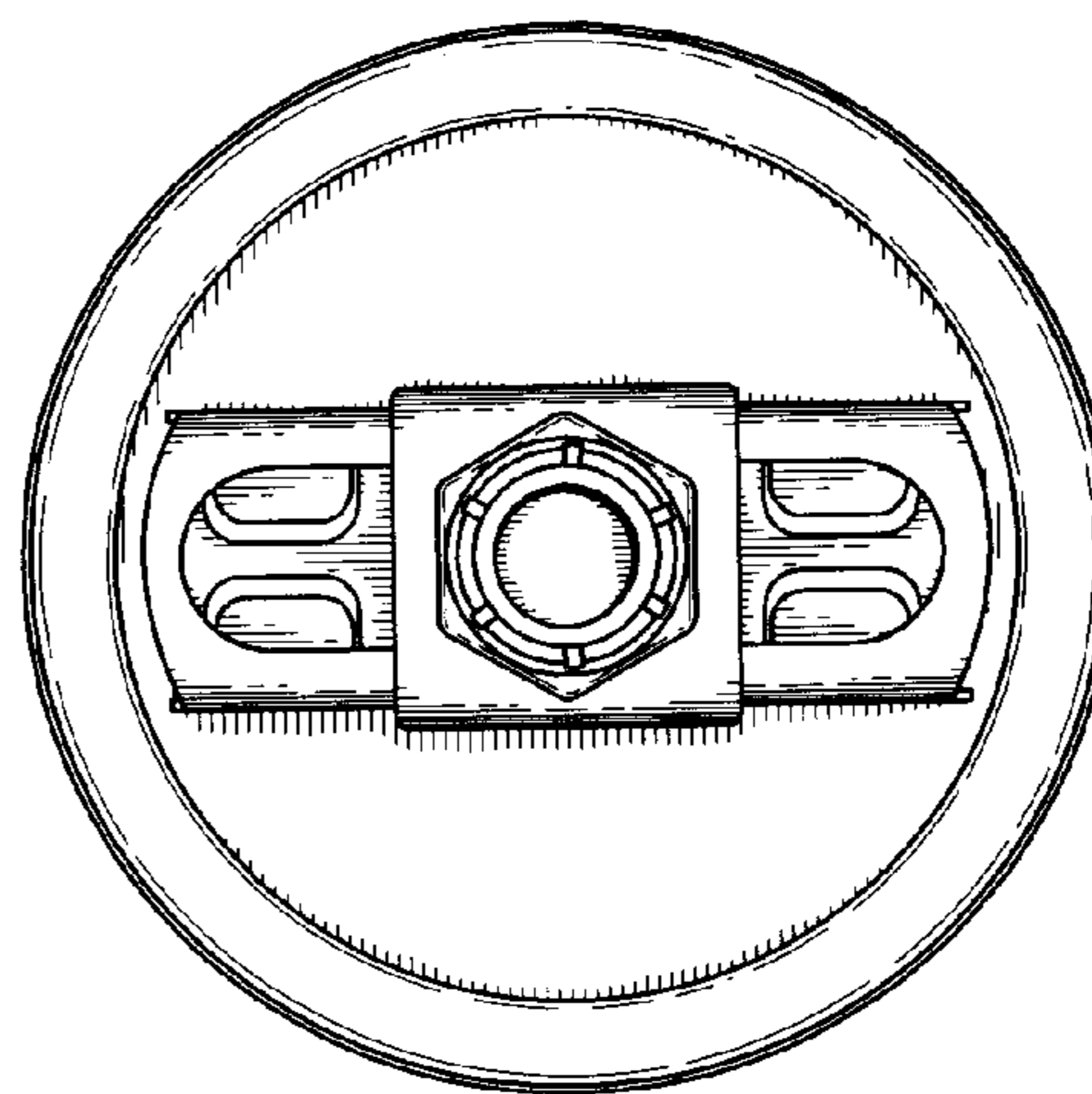


FIG. 5