



US00D633414S

(12) **United States Design Patent**
Pontaoe

(10) **Patent No.:** **US D633,414 S**
(45) **Date of Patent:** **** Mar. 1, 2011**

(54) **BUCKLE**

(75) Inventor: **John S. Pontaoe**, Chicago, IL (US)

(73) Assignee: **Illinois Tool Works Inc.**, Glenview, IL (US)

(**) Term: **14 Years**

(21) Appl. No.: **29/380,044**

(22) Filed: **Nov. 30, 2010**

Related U.S. Application Data

(63) Continuation of application No. 29/365,949, filed on Jul. 16, 2010.

(51) **LOC (9) Cl.** **02-07**

(52) **U.S. Cl.** **D11/216**

(58) **Field of Classification Search** D11/1-2,
D11/200-201, 206-210, 214-218; 24/163 R,
24/169-171, 173, 177-179, 191, 194-195,
24/197, 200, 614-616, 625

See application file for complete search history.

(56) **References Cited**

U.S. PATENT DOCUMENTS

D524,693 S *	7/2006	Uehara et al.	D11/216
D543,897 S *	6/2007	Anscher	D11/218
D566,003 S *	4/2008	Anscher	D11/216
D576,074 S *	9/2008	Yoshiguchi	D11/216

D597,441 S *	8/2009	Uehara	D11/216
D619,042 S *	7/2010	Uehara	D11/216
D619,496 S *	7/2010	Paik	D11/216
D625,226 S *	10/2010	Pontaoe	D11/216

* cited by examiner

Primary Examiner—Ralf Seifert

(74) *Attorney, Agent, or Firm*—Mark W. Croll; Paul F. Donovan

(57) **CLAIM**

The ornamental design for a buckle, as shown and described.

DESCRIPTION

FIG. 1 is a perspective view of the buckle showing the new design;

FIG. 2 is an exploded perspective view thereof;

FIG. 3 is a top view thereof;

FIG. 4 is a bottom view thereof;

FIG. 5 is a front view thereof;

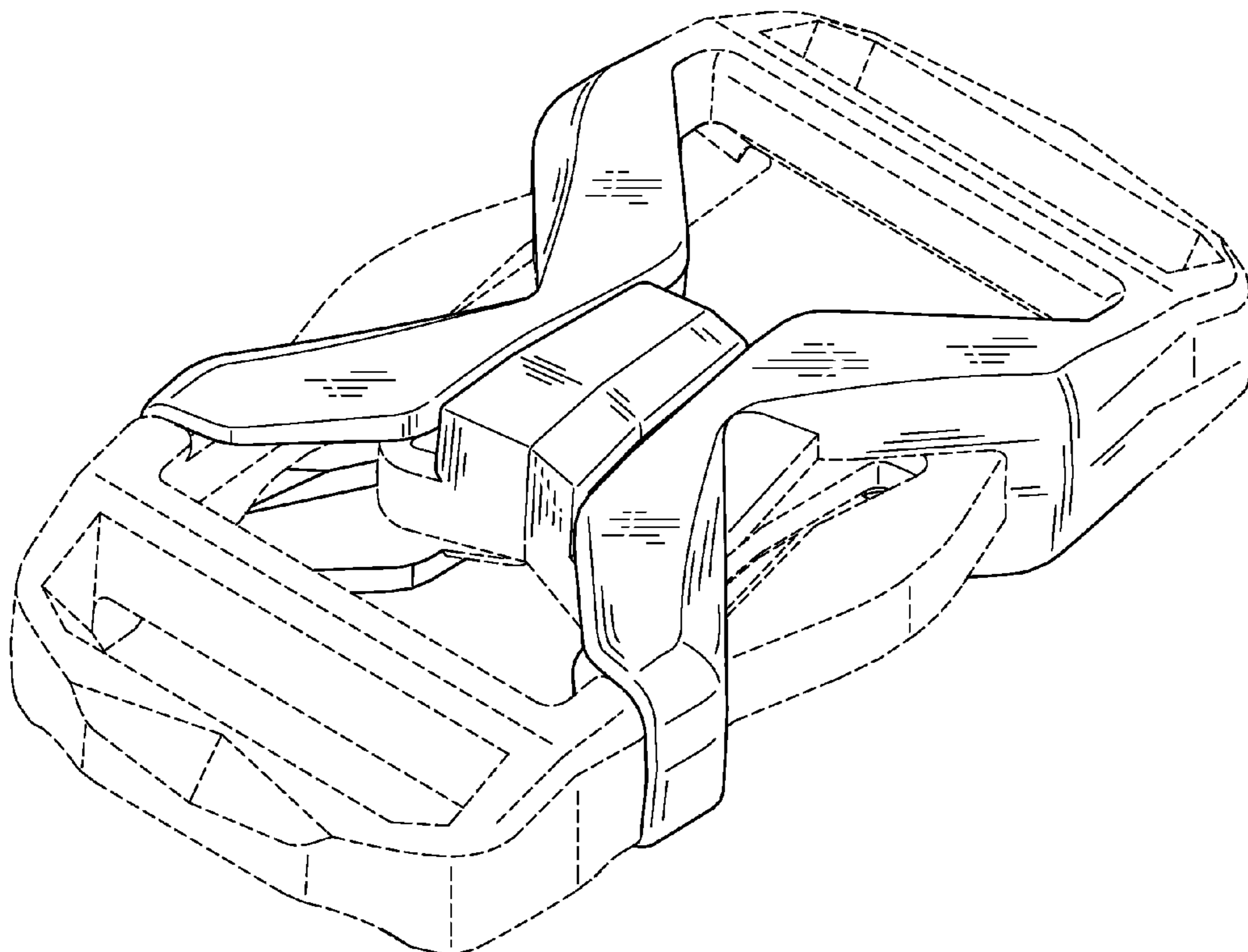
FIG. 6 is a back view thereof;

FIG. 7 is a side view thereof; and,

FIG. 8 is the other side view thereof.

The broken line showing of buckle elements is included for the purpose of illustrating environmental matter and forms no part of the claimed design.

1 Claim, 5 Drawing Sheets



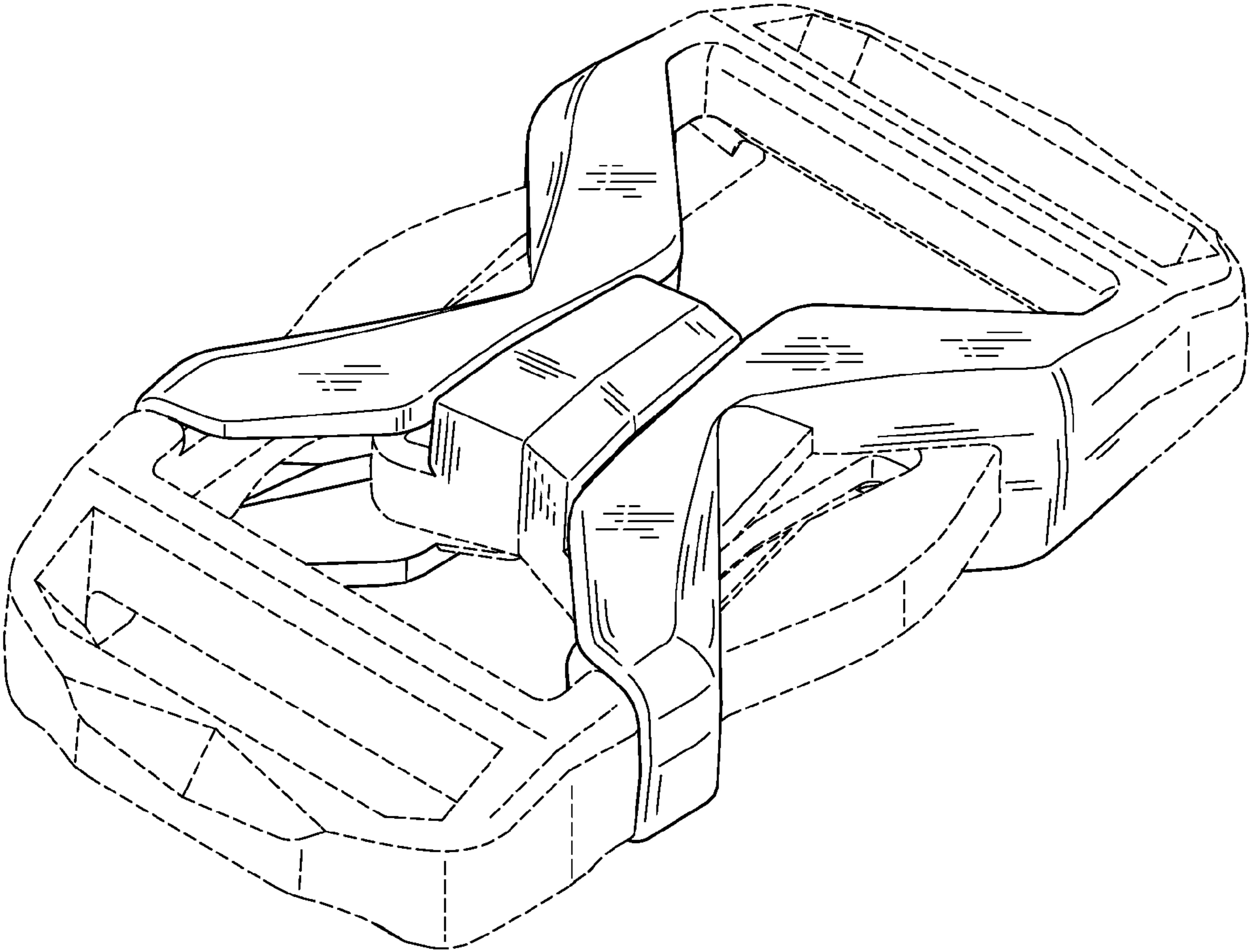


FIG. 1

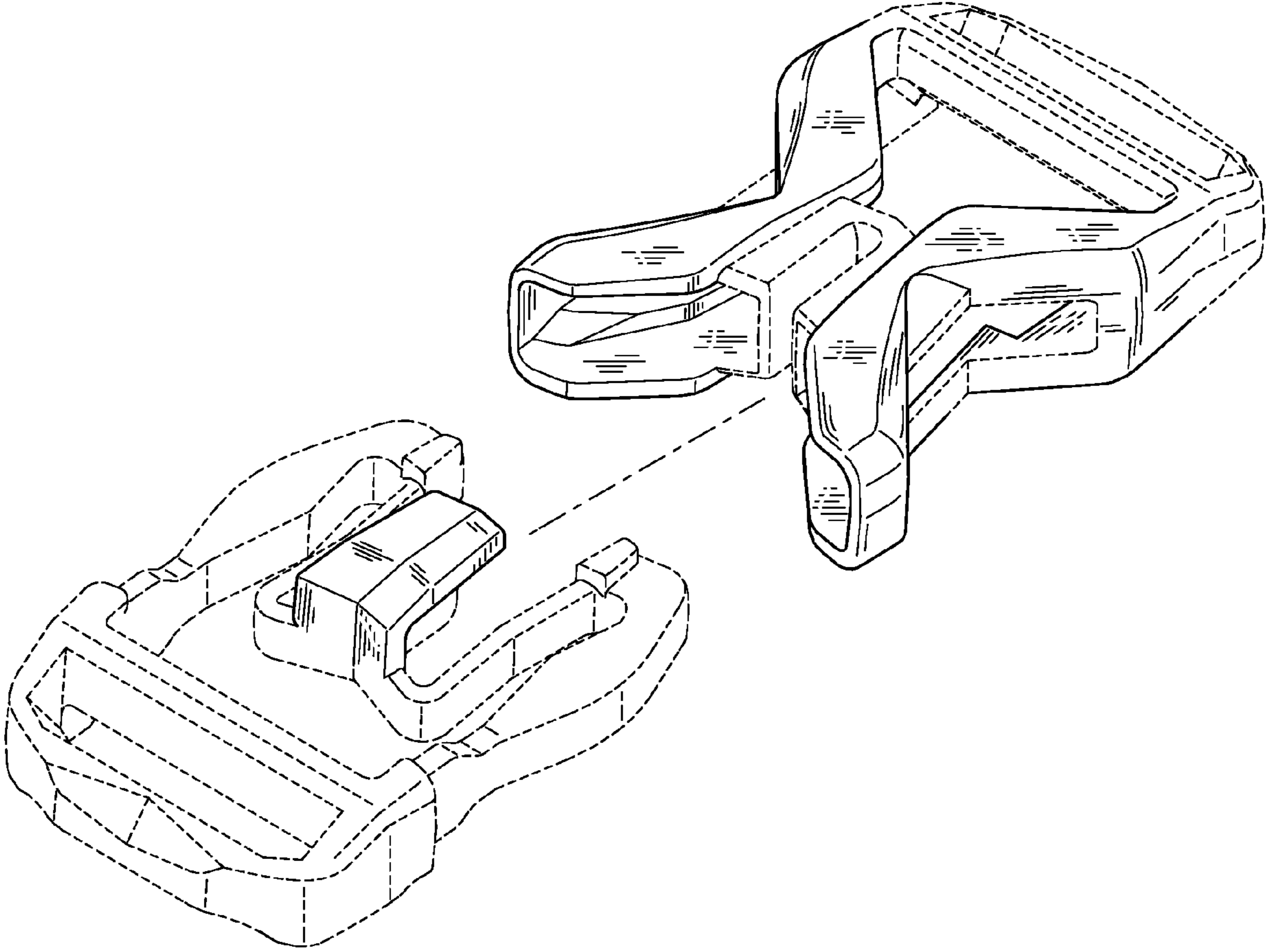


FIG. 2

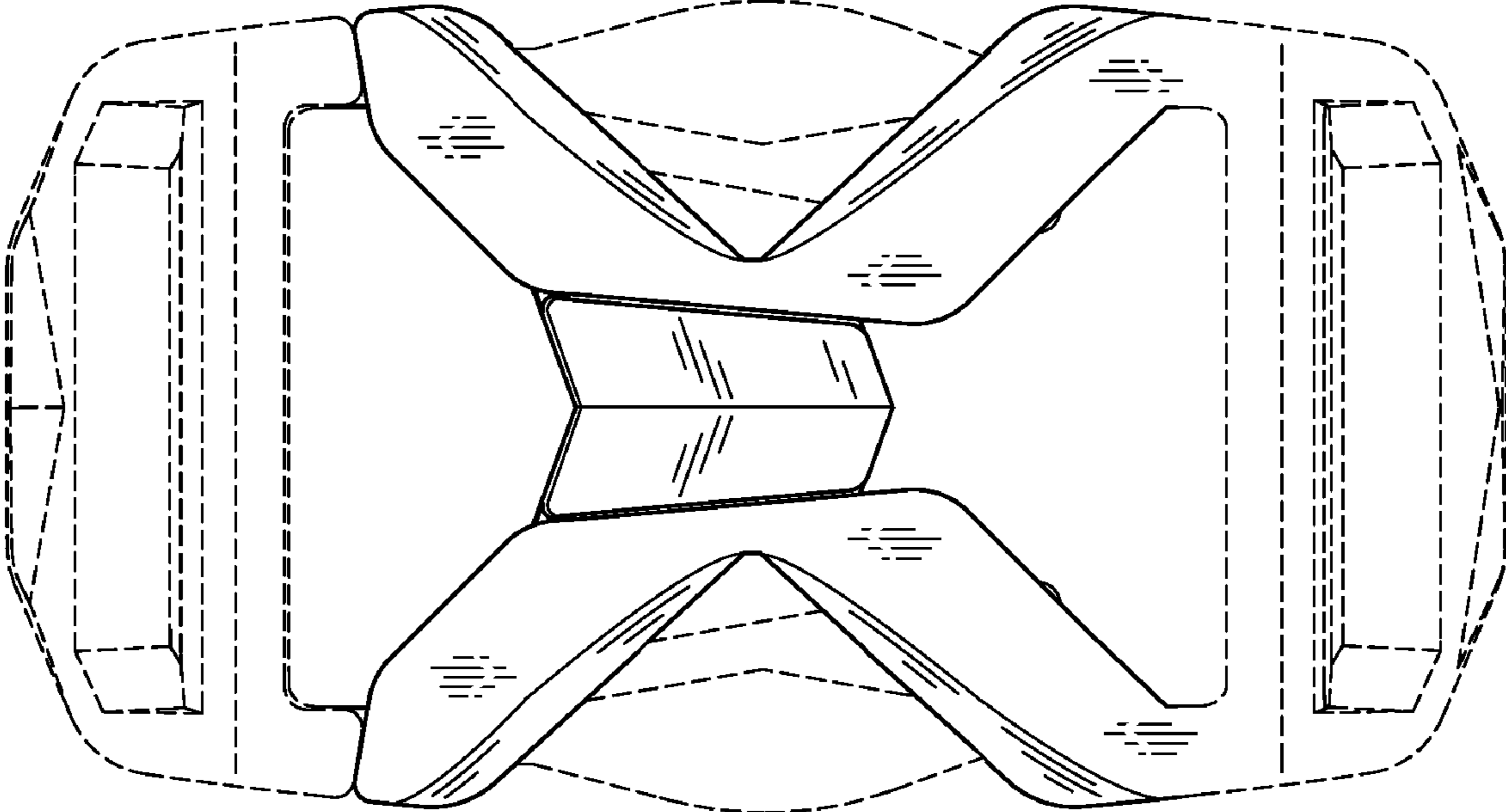


FIG. 3

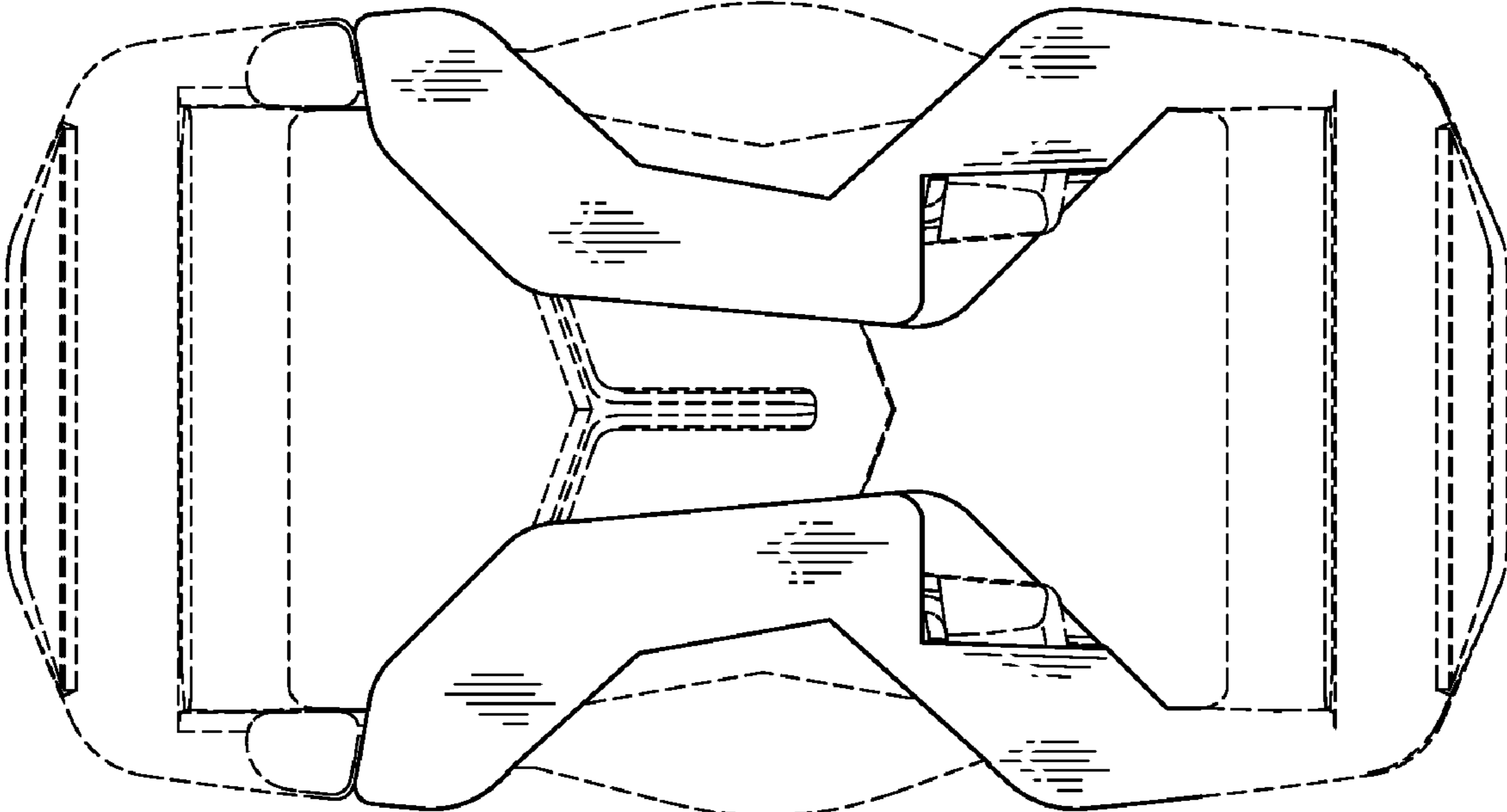


FIG. 4

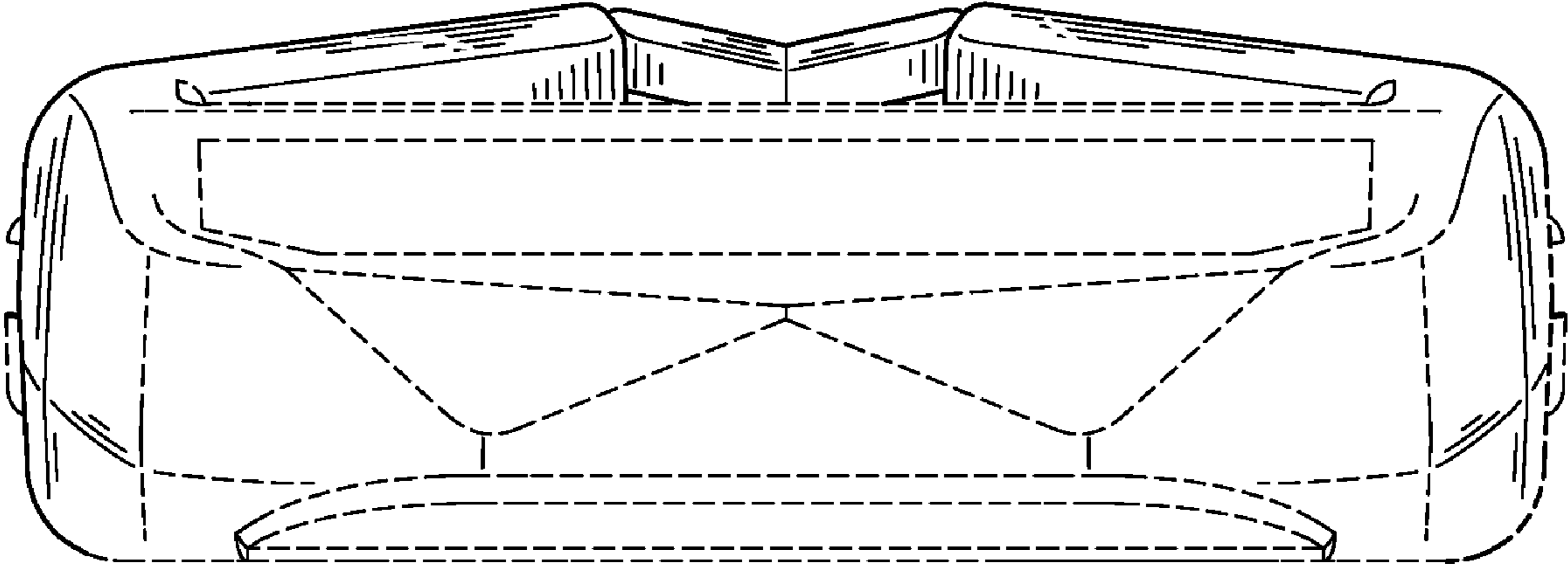


FIG. 5

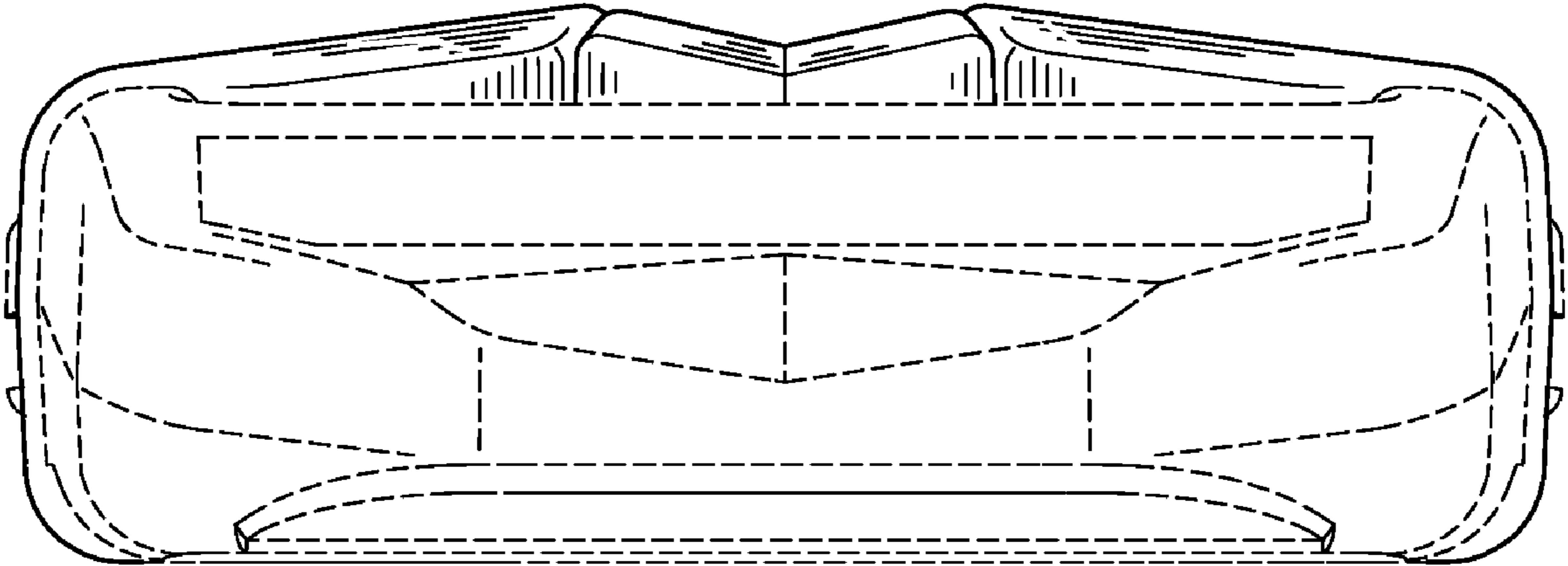


FIG. 6

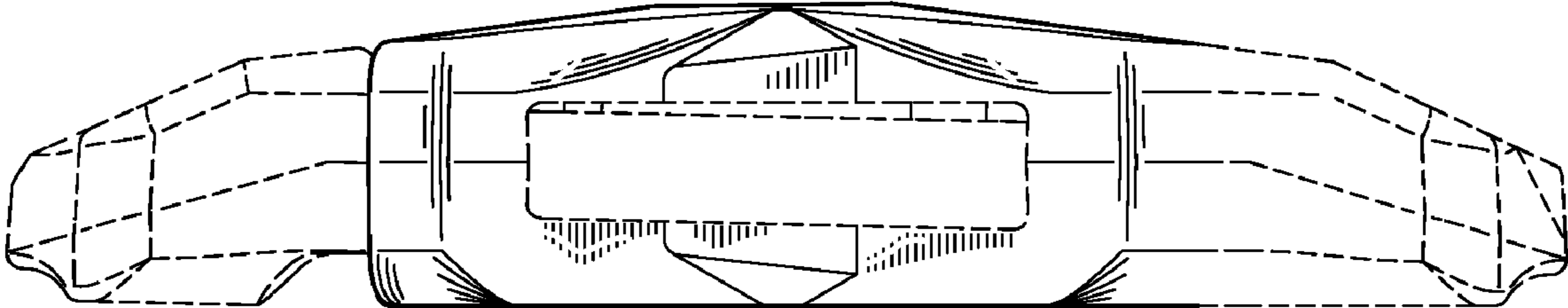


FIG. 7

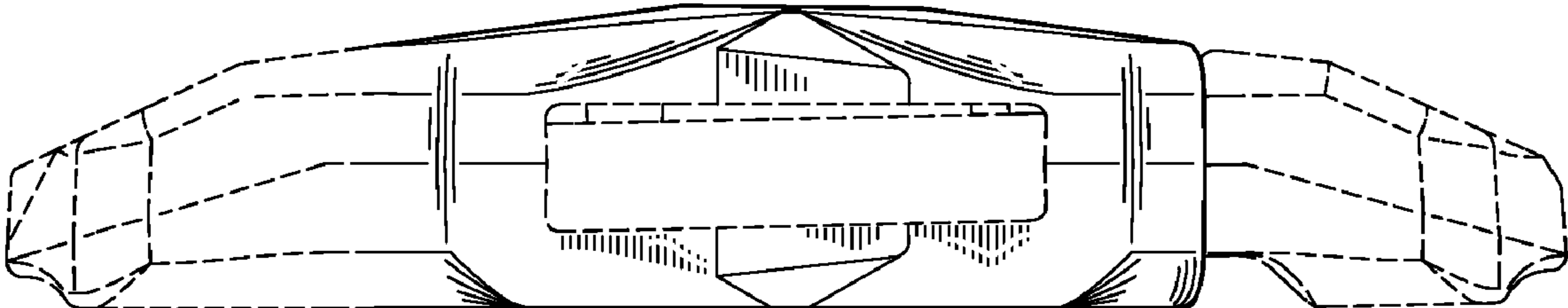


FIG. 8