



US00D633413S

(12) **United States Design Patent**
McNaughton

(10) **Patent No.:** **US D633,413 S**
(45) **Date of Patent:** **** Mar. 1, 2011**

(54) **SEAT BELT BUTTON PROTECTOR**

Primary Examiner—Ralf Seifert

(76) Inventor: **Patrick J. McNaughton**, Plymouth, MN
(US)

(57) **CLAIM**

The ornamental design of seat belt button protector, is substantially as shown and described.

(**) Term: **14 Years**

(21) Appl. No.: **29/367,195**

DESCRIPTION

(22) Filed: **Aug. 4, 2010**

FIG. 1, is a perspective view illustrating the design fully assembled,

(51) **LOC (9) Cl.** **02-07**

(52) **U.S. Cl.** **D11/200**

(58) **Field of Classification Search** D11/1-2,
D11/200-201, 206-210, 214-218; 24/163 R,
24/169-171, 173, 177-179, 191, 194-195,
24/197, 200

FIG. 2 is a perspective view showing the design subject without cap.

FIG. 3 is a front elevational view.

FIG. 4 is a rear elevational view.

FIG. 5 is a right side elevational view.

FIG. 6 is a left side elevational view.

FIG. 7 is a top plan view.

FIG. 8 is a bottom plan view; and,

FIG. 9 is a perspective view illustrating the design subject open.

See application file for complete search history.

(56) **References Cited**

U.S. PATENT DOCUMENTS

- D531,085 S * 10/2006 Ector-Posey D11/200
- D555,537 S * 11/2007 Portelli D11/200
- D560,138 S * 1/2008 Mandarino D11/200

* cited by examiner

1 Claim, 6 Drawing Sheets

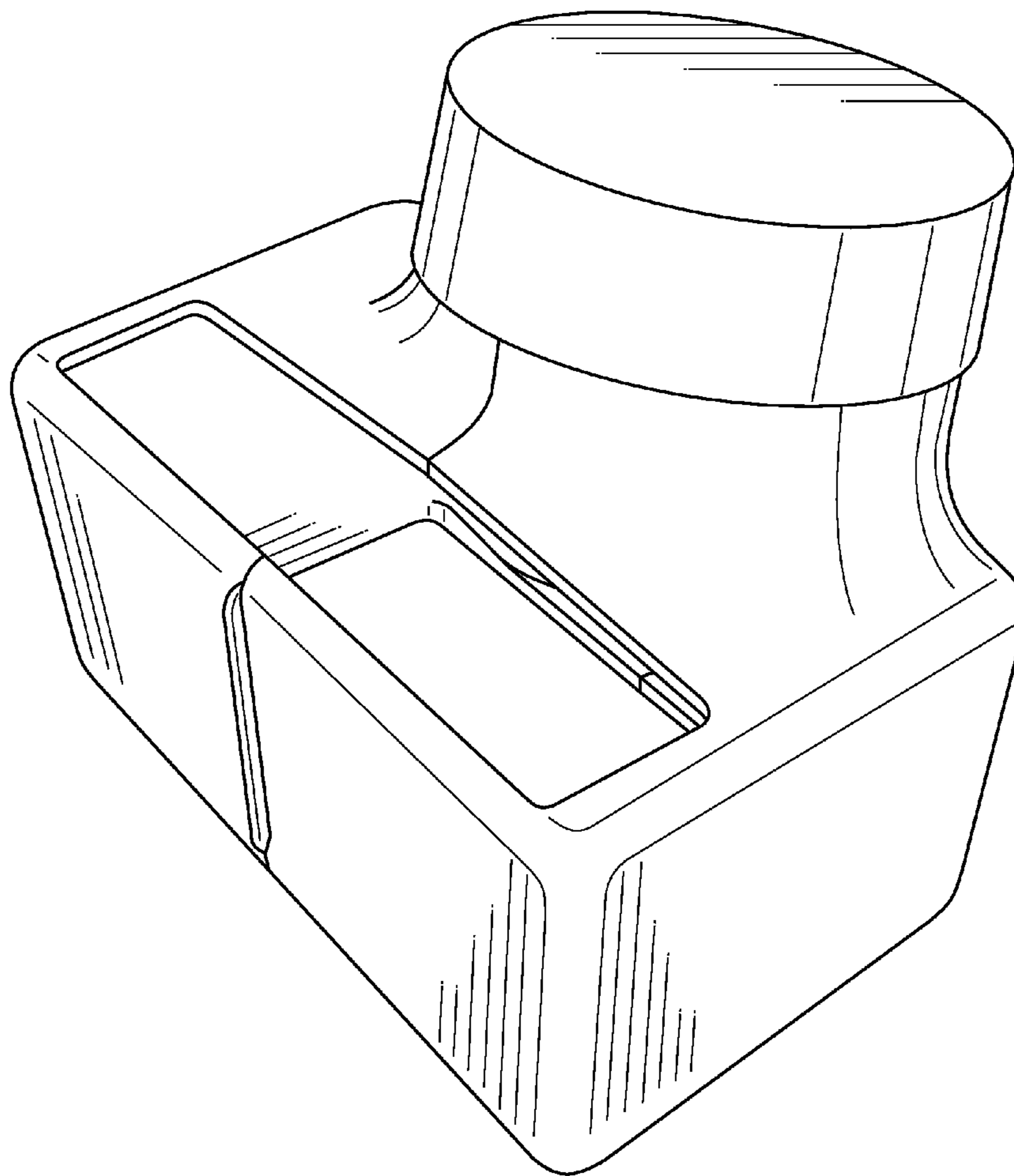


Fig. 1

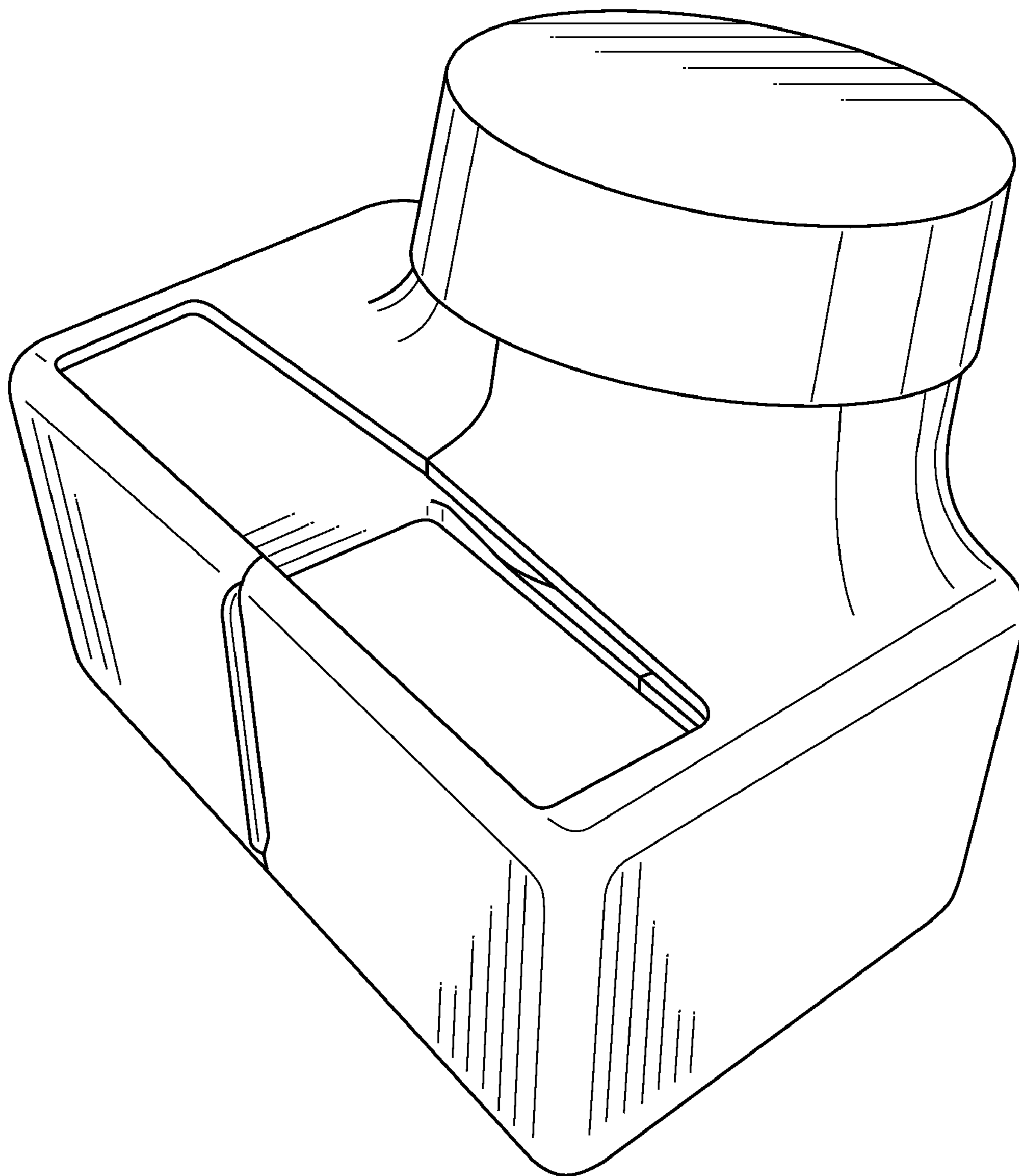


Fig. 2

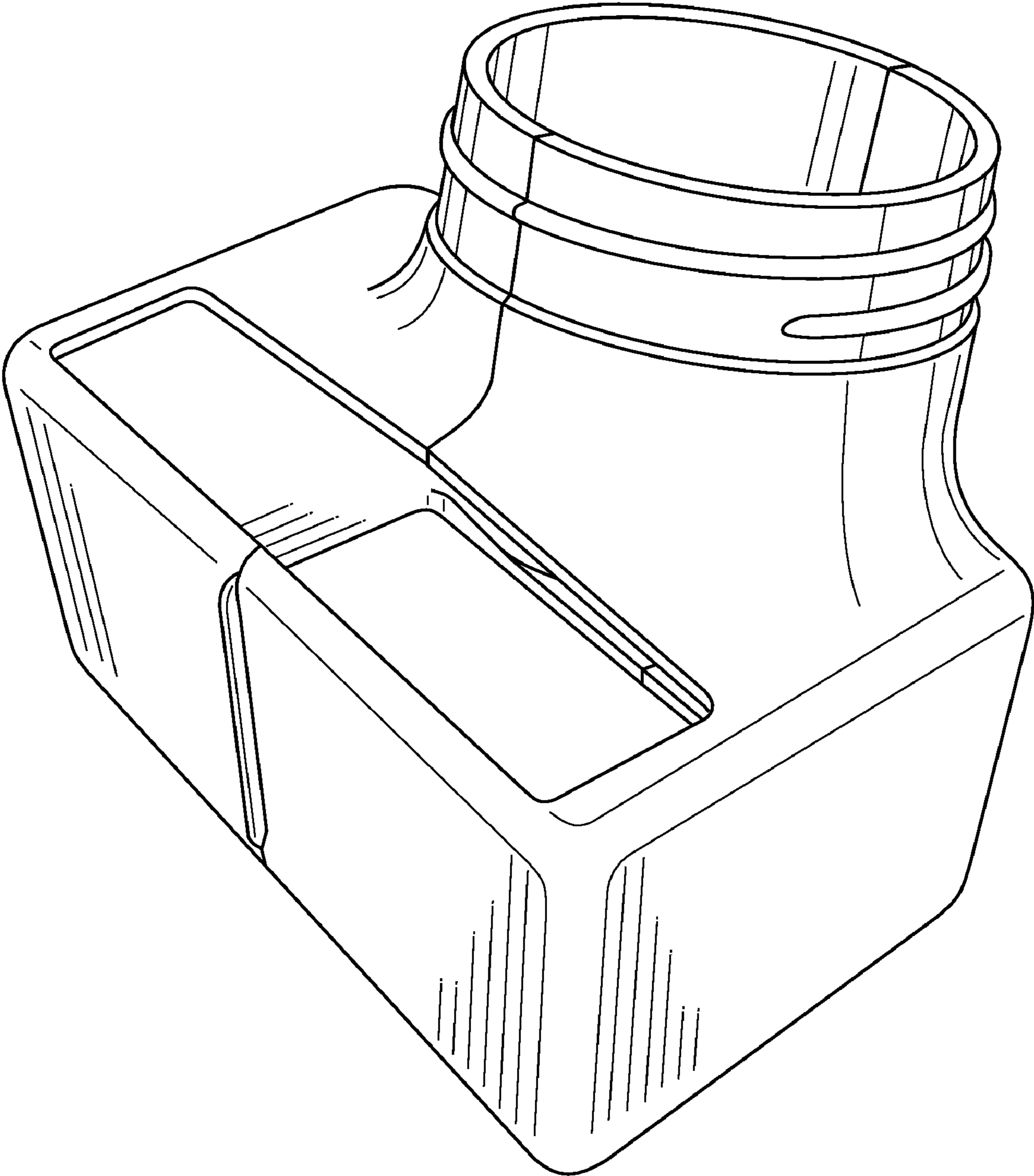


Fig. 3

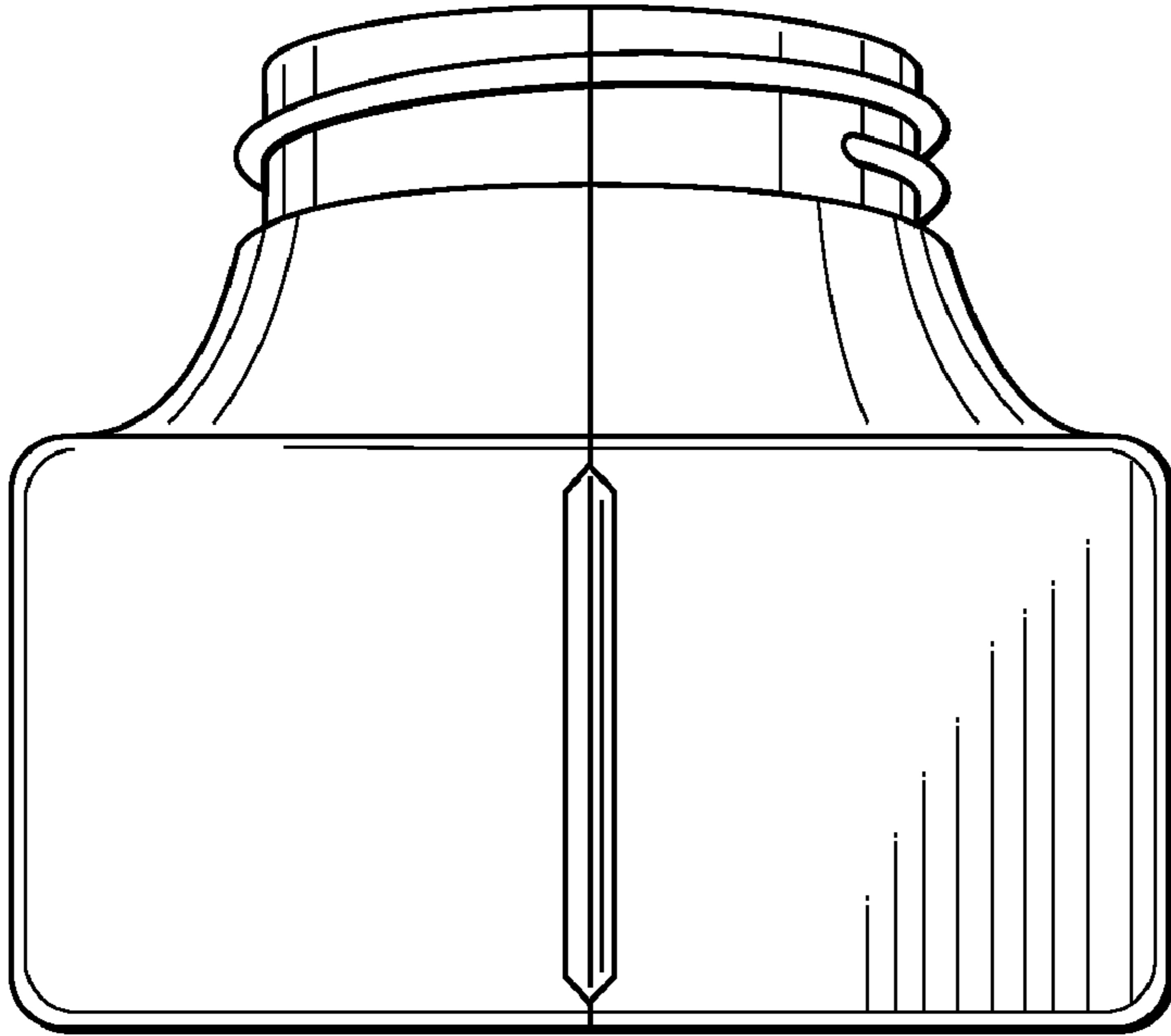


Fig. 4

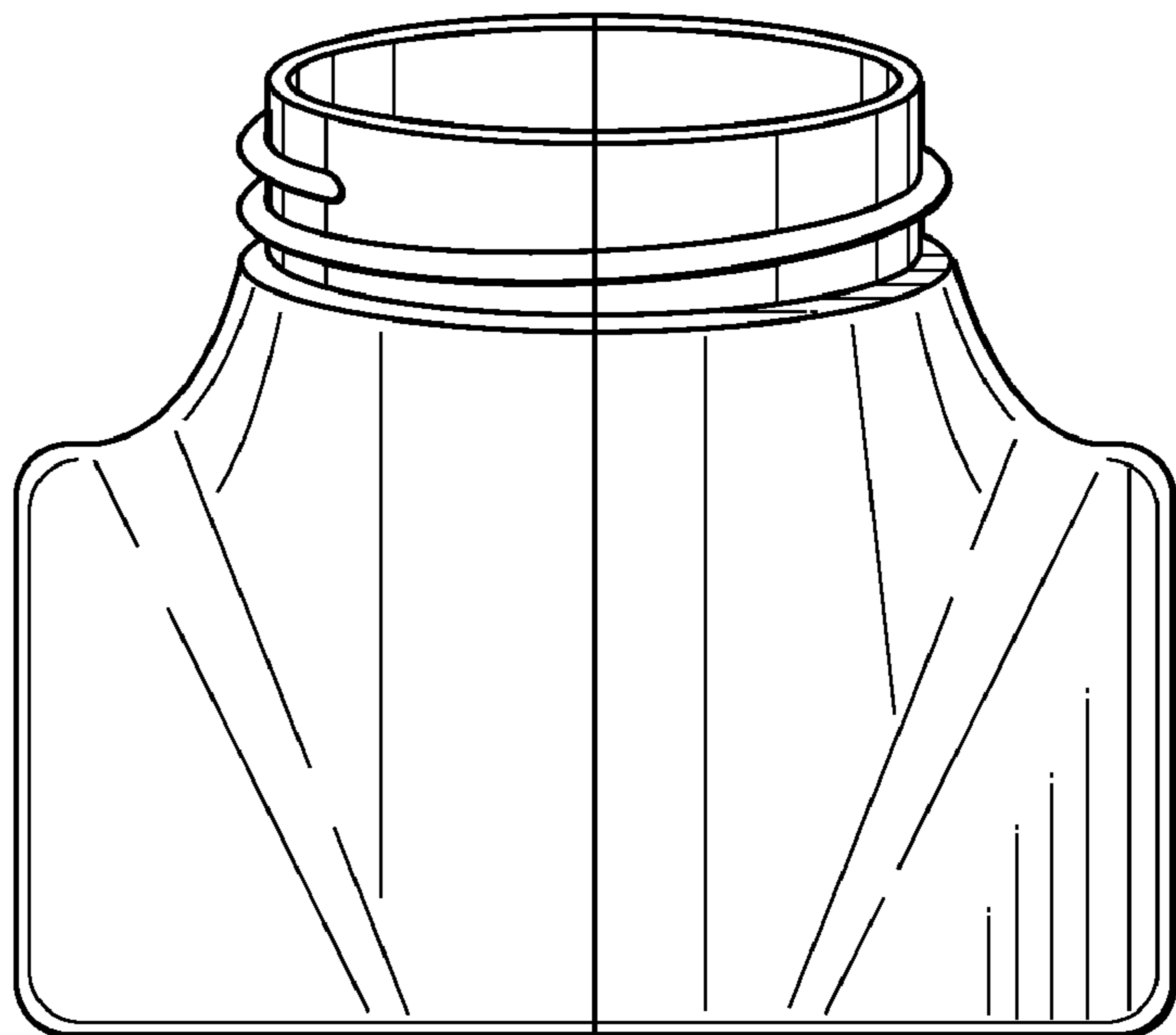


Fig. 5

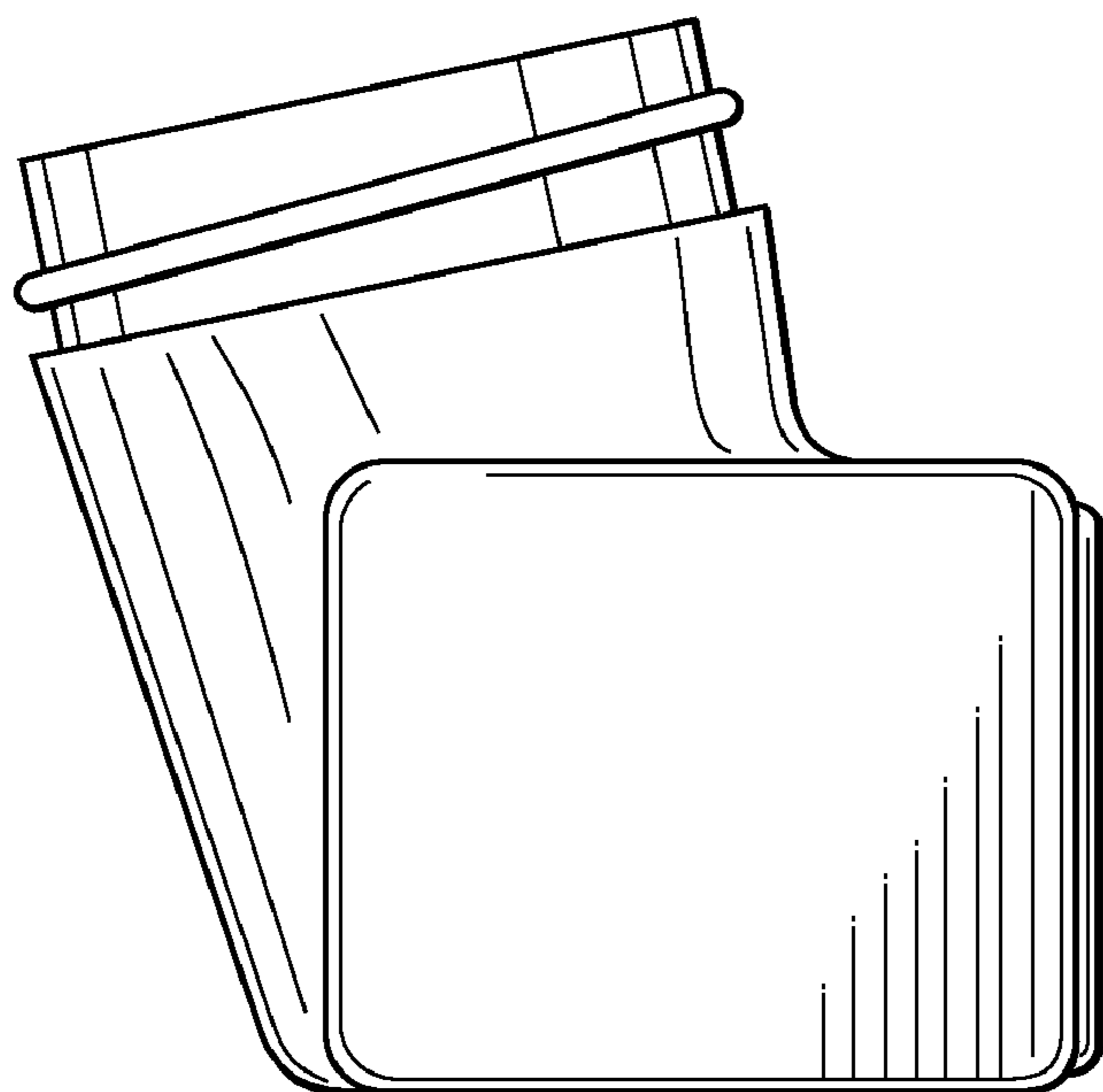


Fig. 6

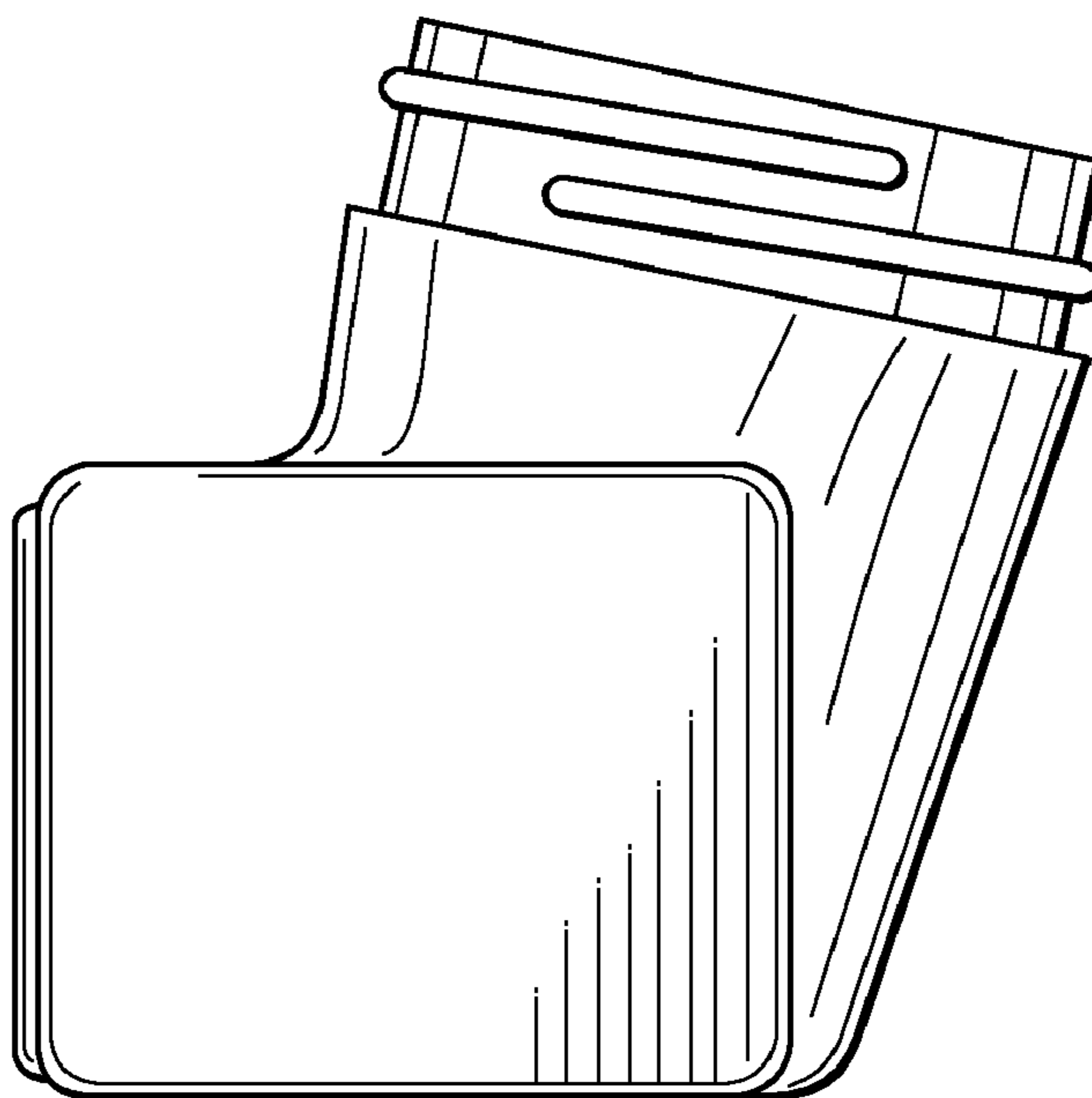


Fig. 7

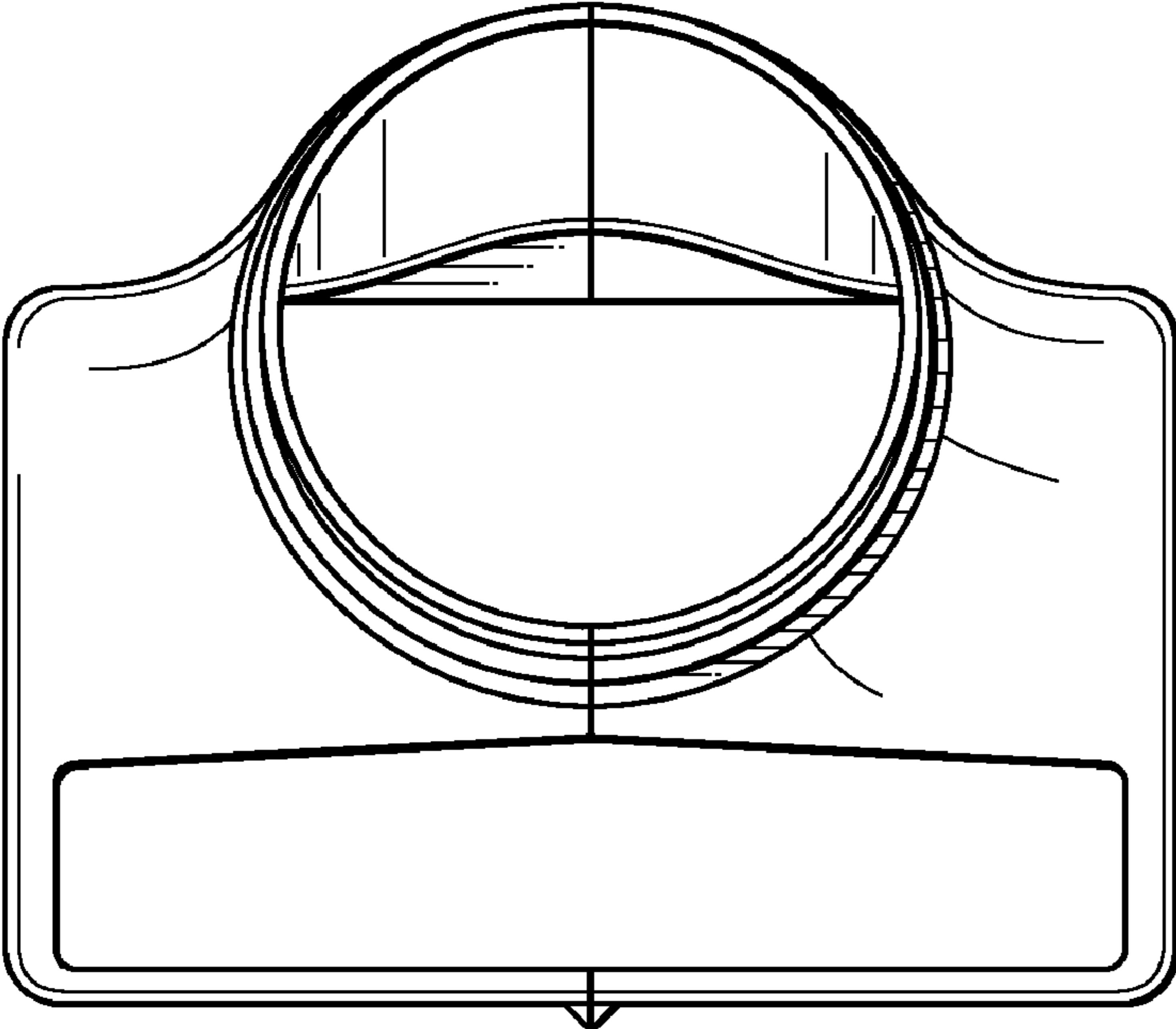


Fig. 8

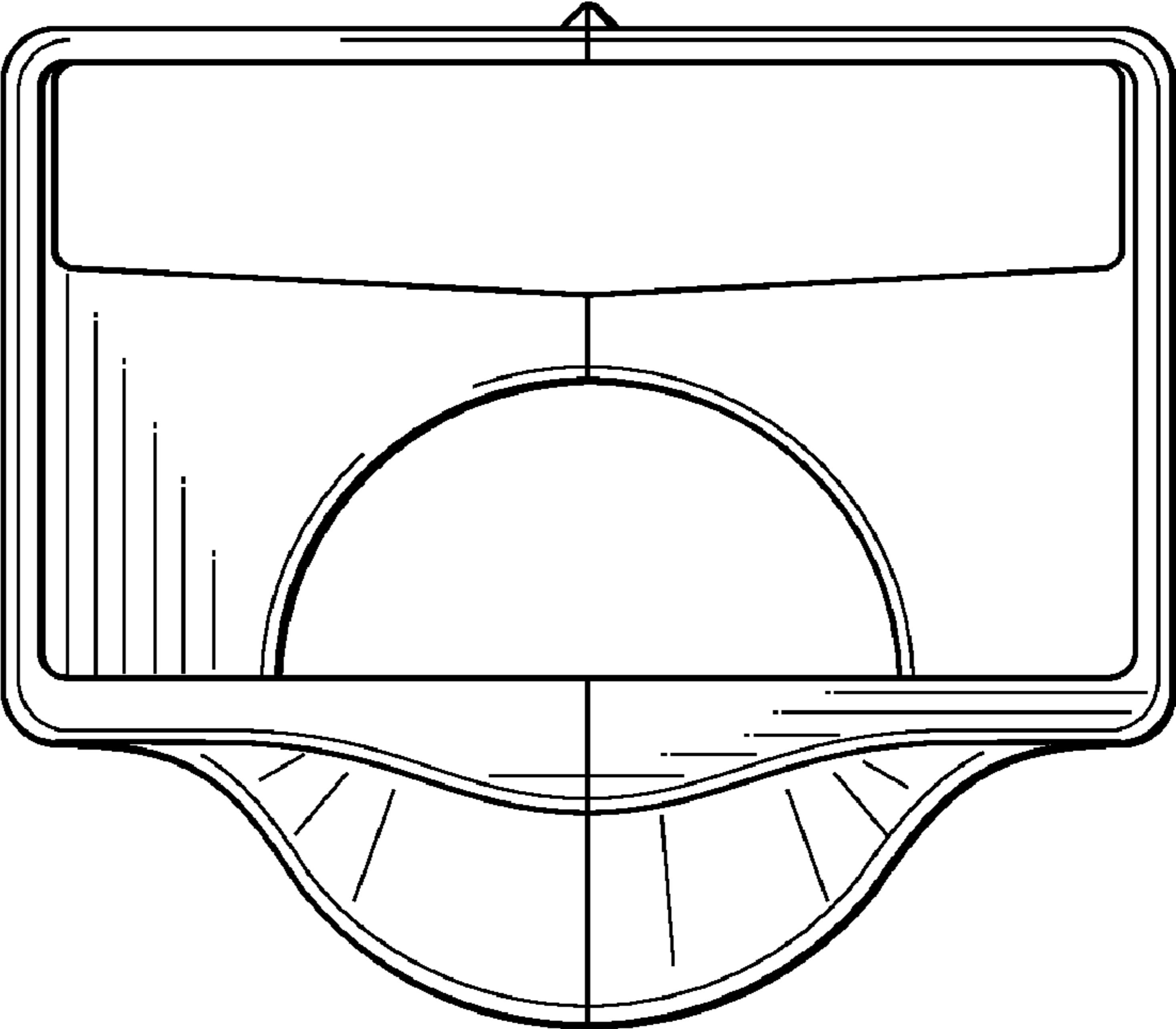


Fig. 9

