



US00D633411S

(12) **United States Design Patent**
Smith

(10) **Patent No.:** **US D633,411 S**

(45) **Date of Patent:** **** Mar. 1, 2011**

(54) **PLAQUE**

(76) Inventor: **Michael J. Smith**, Fall River, WI (US)

(**) Term: **14 Years**

(21) Appl. No.: **29/361,656**

(22) Filed: **May 13, 2010**

(51) **LOC (9) Cl.** **11-02**

(52) **U.S. Cl.** **D11/132**

(58) **Field of Classification Search** D11/131,
D11/132, 133, 157, 164; D20/10, 12, 15,
D20/19, 20, 36; D6/300, 303, 309, 316,
D6/492; D10/1, 2, 23; D19/96, 97; 428/13,
428/14, 542.2, 542.4, 913.3; 40/725, 728,
40/738, 743, 798

See application file for complete search history.

(56) **References Cited**

U.S. PATENT DOCUMENTS

D321,491 S *	11/1991	Stagl	D11/132
D330,525 S *	10/1992	Grindley, Jr.	D11/132
D354,455 S *	1/1995	Hosker	D11/132
D359,928 S *	7/1995	Ilaria et al.	D11/132
D405,719 S *	2/1999	Marsh	D11/132
D461,847 S *	8/2002	Phelps et al.	D20/17
D479,809 S *	9/2003	Banman	D11/132

D544,398 S *	6/2007	Banman	D11/132
D545,241 S *	6/2007	Poteet	D11/132
D545,242 S *	6/2007	Poteet	D11/132
D565,999 S *	4/2008	Bartlett	D11/132
D611,875 S *	3/2010	Walker	D11/134
D614,529 S *	4/2010	Trautmann	D11/132

* cited by examiner

Primary Examiner—Holly H Baynham

Assistant Examiner—Michelle E Wilson

(74) *Attorney, Agent, or Firm*—Casimir Jones SC

(57) **CLAIM**

The ornamental design for a plaque, as shown and described.

DESCRIPTION

FIG. 1 is a front perspective view showing my new design;

FIG. 2 is an exploded front perspective view thereof;

FIG. 3 is a front elevational view thereof;

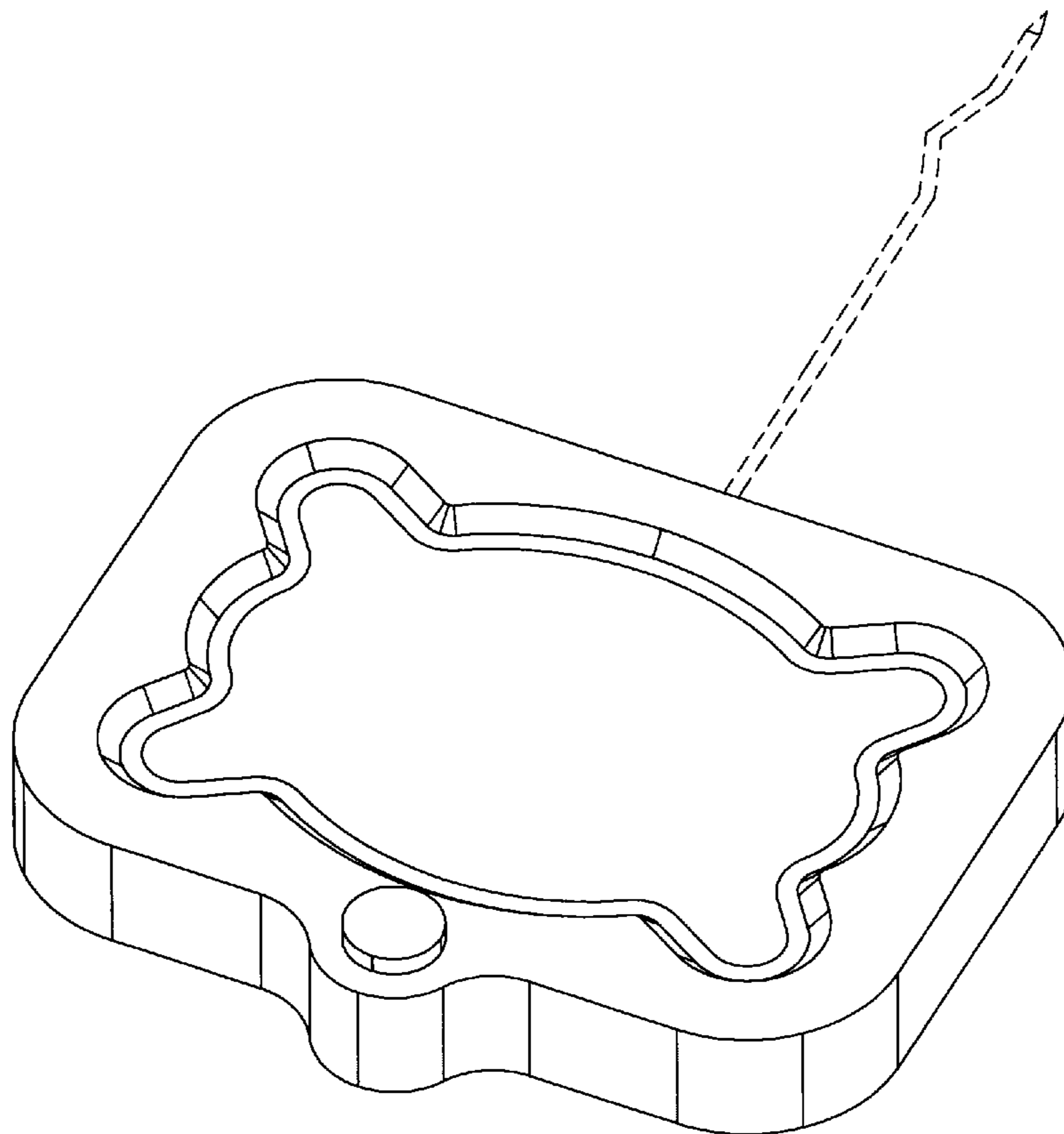
FIG. 4 is a rear elevational view thereof;

FIG. 5 is a left side elevational view thereof, the left and right side elevational views being mirror images; and,

FIG. 6 is a top plan view thereof.

The broken lines in the drawings depict unclaimed environmental subject matter.

1 Claim, 6 Drawing Sheets



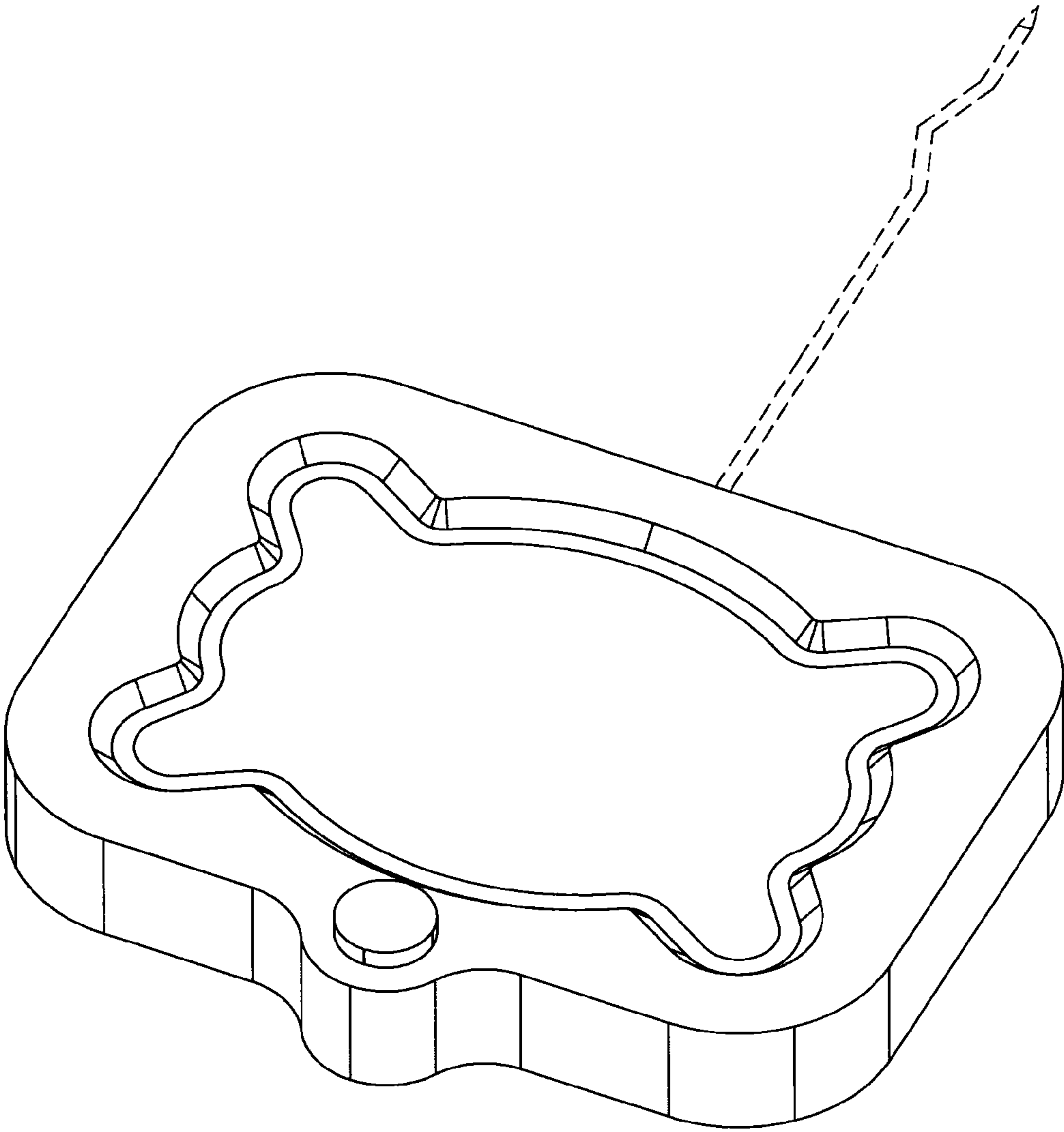


Fig. 1

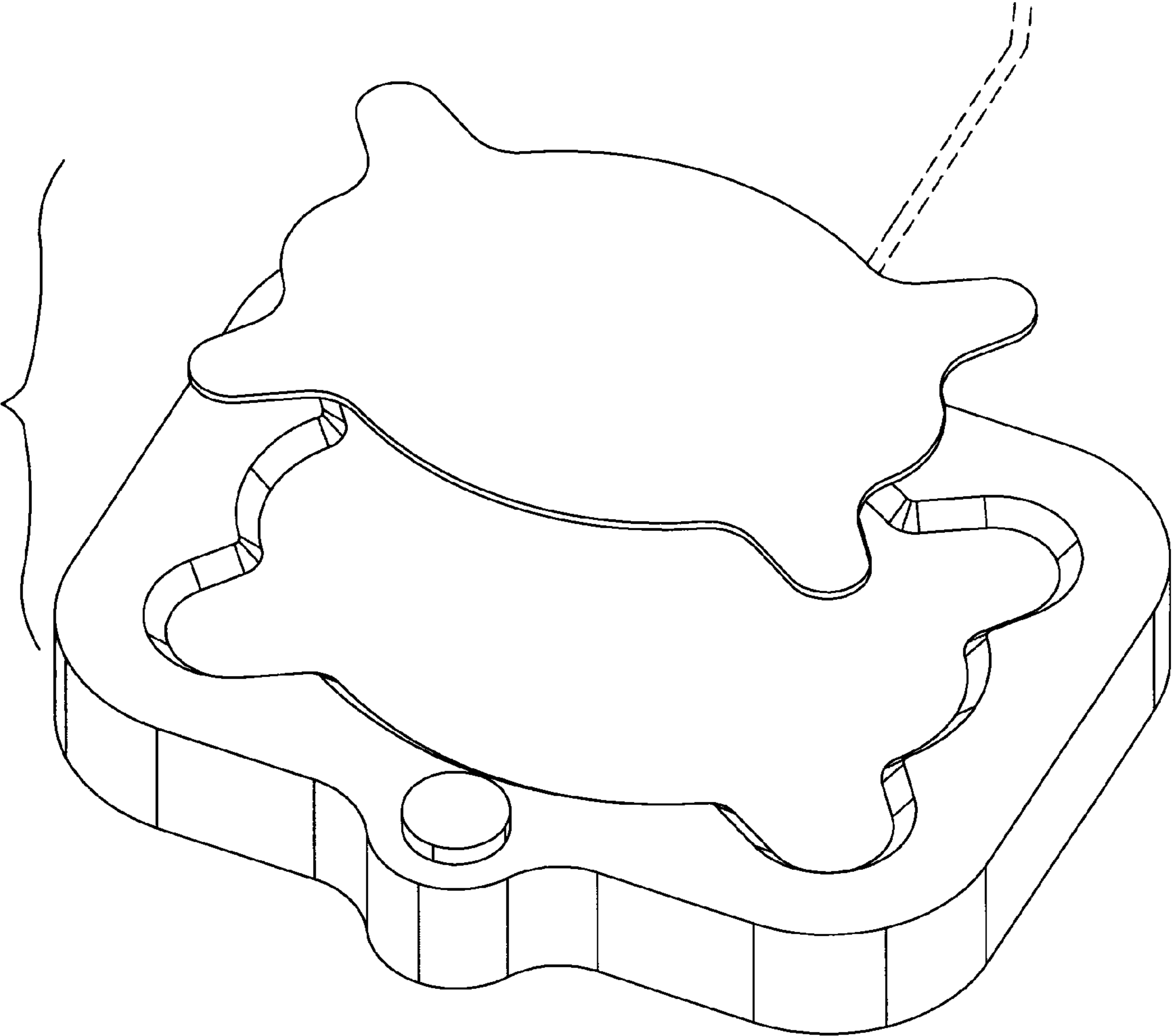


Fig. 2

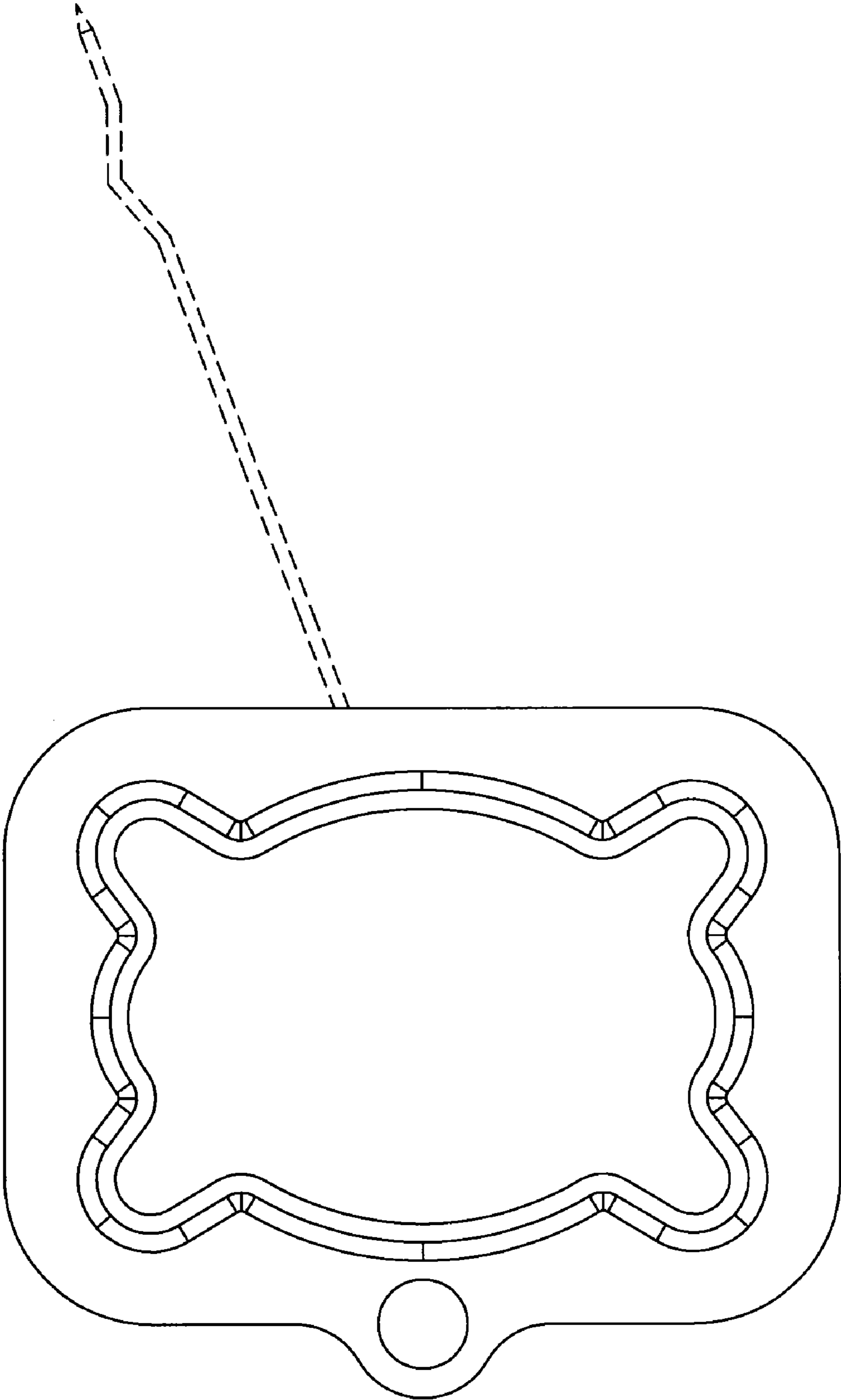


Fig. 3

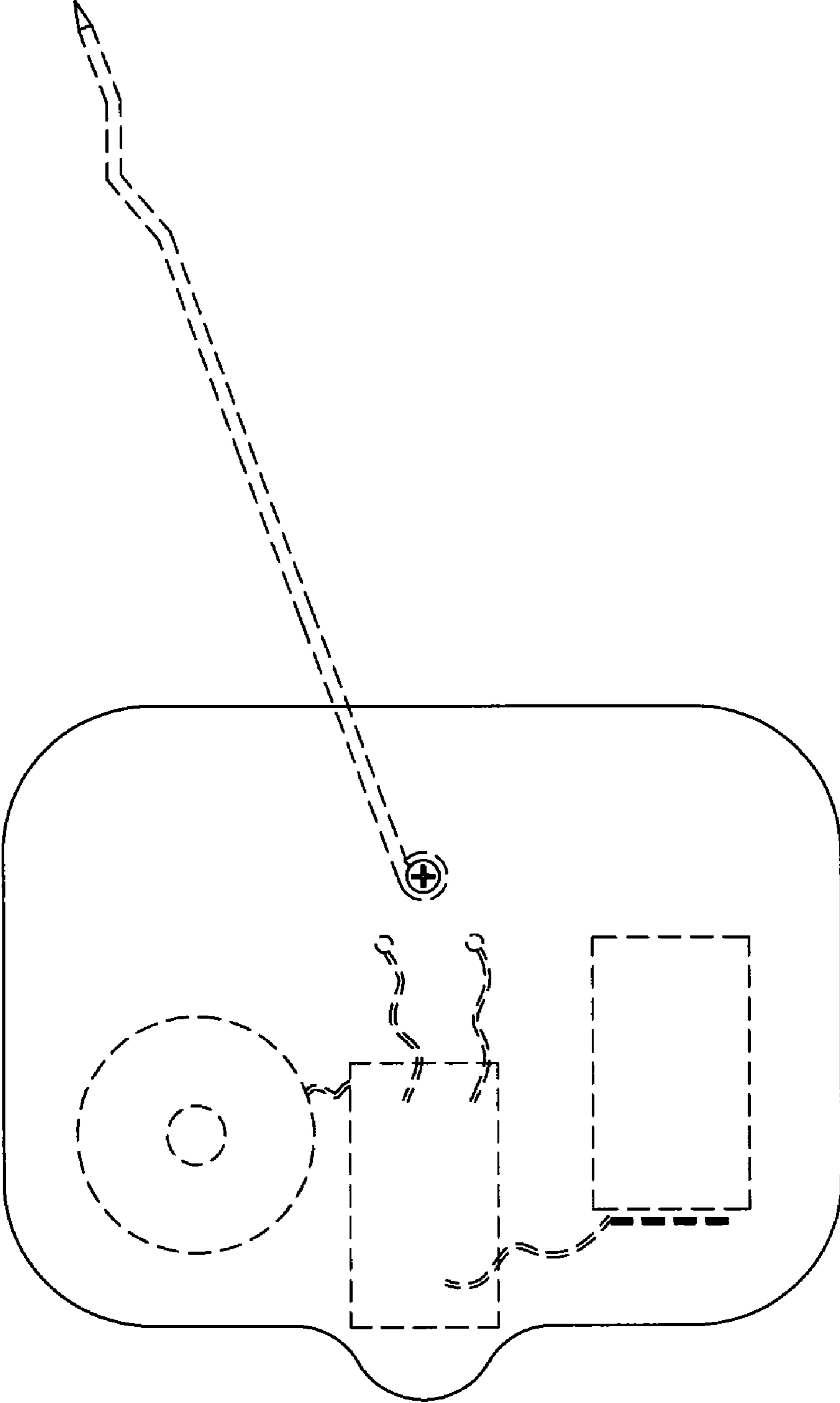


Fig. 4

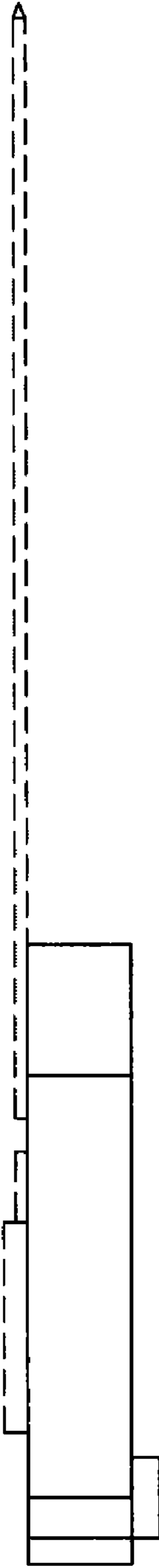


Fig. 5

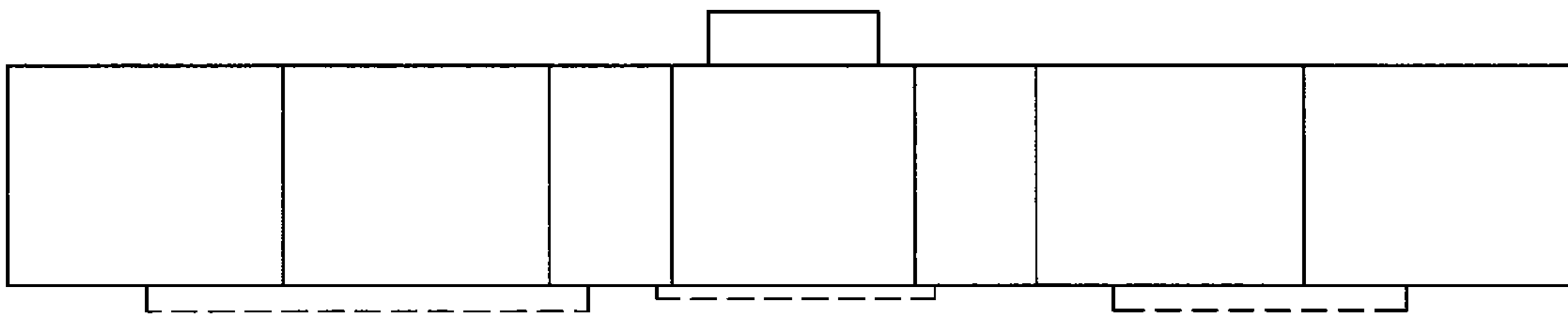


Fig. 6