



US00D633407S

(12) **United States Design Patent**
Lee et al.

(10) **Patent No.:** **US D633,407 S**
(45) **Date of Patent:** **** Mar. 1, 2011**

(54) **CRYSTAL ORNAMENT FOR TELEVISION**

D554,556 S * 11/2007 Wilhelm D11/89
D587,618 S * 3/2009 Bartl D11/89
D605,551 S * 12/2009 Renner D11/89

(75) Inventors: **Myung Whoon Lee**, Seoul (KR); **Yoon Kyeong Lee**, Seoul (KR)

* cited by examiner

(73) Assignee: **LG Electronics Inc.**, Seoul (KR)

Primary Examiner—Ralf Seifert

(**) Term: **14 Years**

(74) *Attorney, Agent, or Firm*—Morgan, Lewis & Bockius LLP

(21) Appl. No.: **29/361,776**

(57) **CLAIM**

(22) Filed: **May 14, 2010**

The ornamental design for a crystal ornament for television, as shown and described.

(30) **Foreign Application Priority Data**

DESCRIPTION

Nov. 17, 2009 (KR) 30-2009-0050445

FIG. 1 is a top, front, perspective view of a crystal ornament for television showing our new design;

(51) **LOC (9) Cl.** **11-01**

FIG. 2 is a front view thereof;

(52) **U.S. Cl.** **D11/89**

FIG. 3 is a rear view thereof;

(58) **Field of Classification Search** D11/1–2,
D11/26–29, 89–92; 63/26–28, 32
See application file for complete search history.

FIG. 4 is a left side view thereof;

FIG. 5 is a right side view thereof;

(56) **References Cited**

FIG. 6 is a top view thereof;

U.S. PATENT DOCUMENTS

FIG. 7 is a bottom view thereof; and

FIG. 8 is a reference view thereof.

D460,928 S * 7/2002 Rokah D11/90

D462,922 S * 9/2002 Yuan et al. D11/90

D543,894 S * 6/2007 Akdemir D11/90

1 Claim, 4 Drawing Sheets

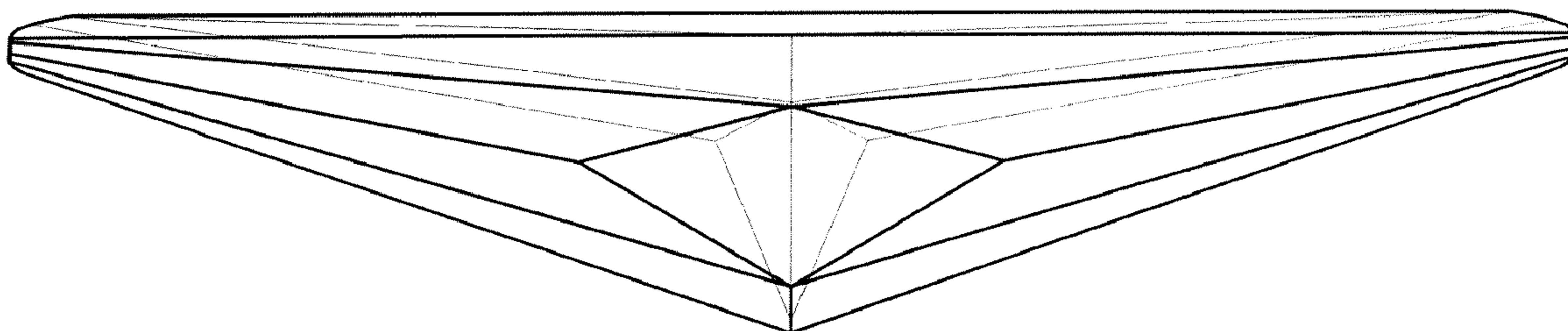


FIG. 1

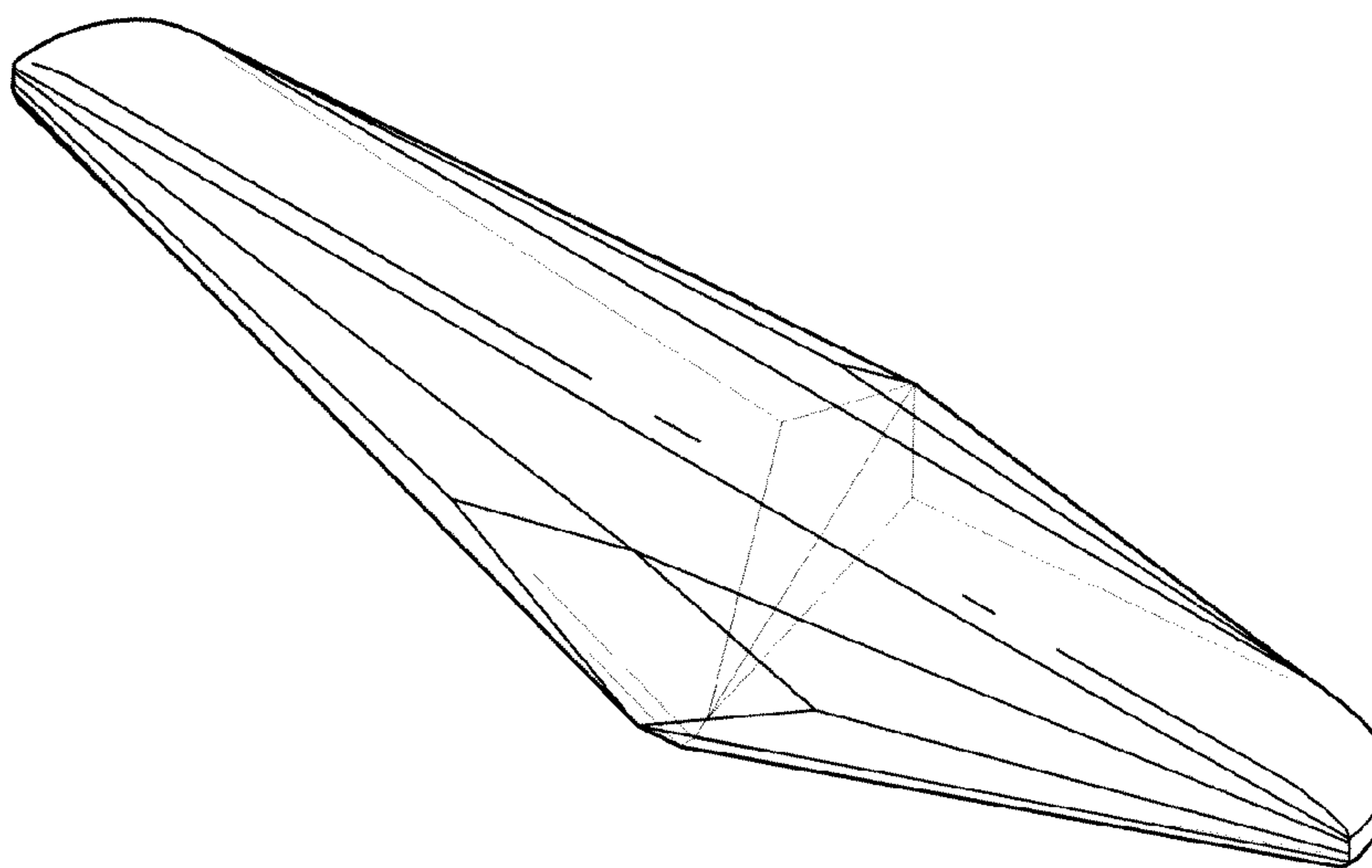


FIG. 2

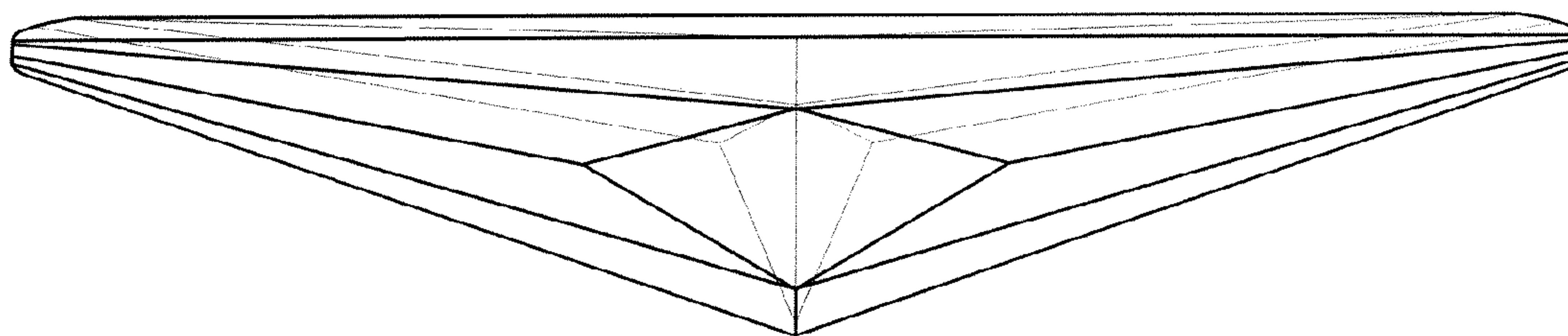


FIG. 3

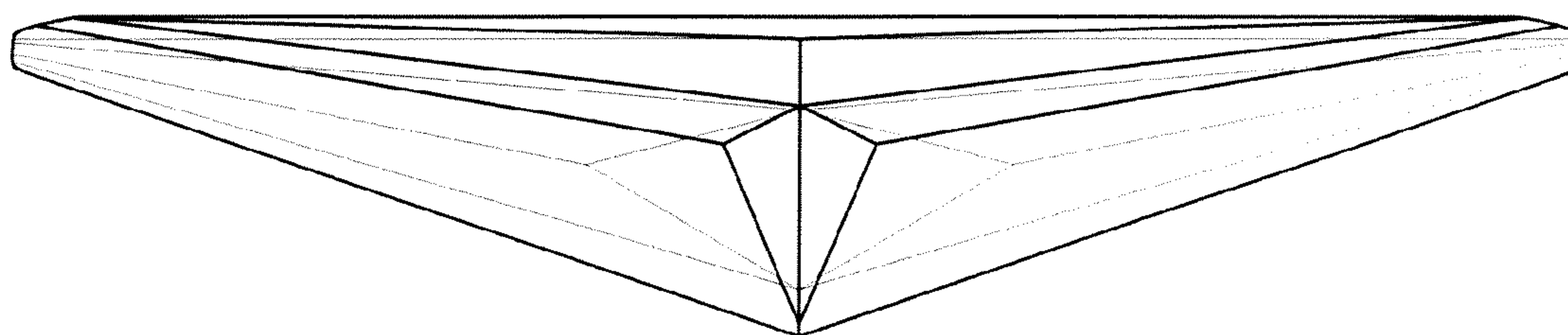


FIG. 4

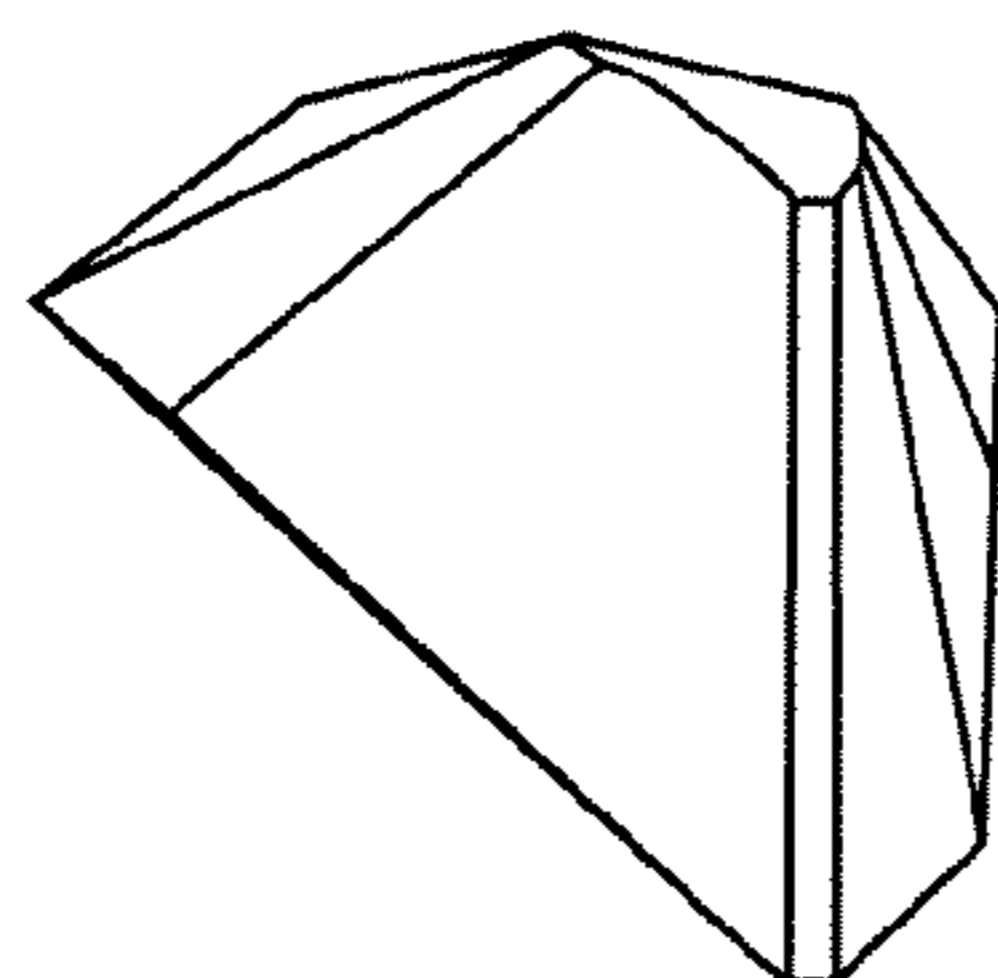


FIG. 5

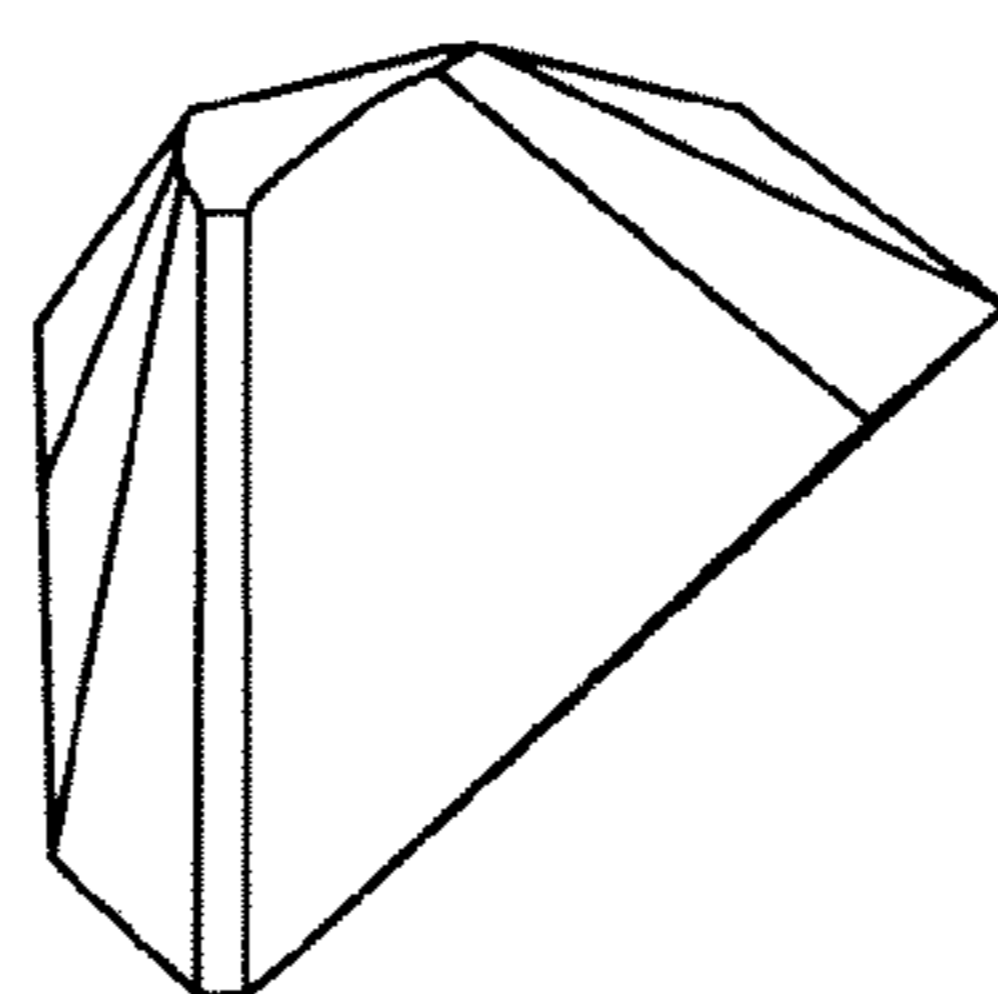


FIG. 6

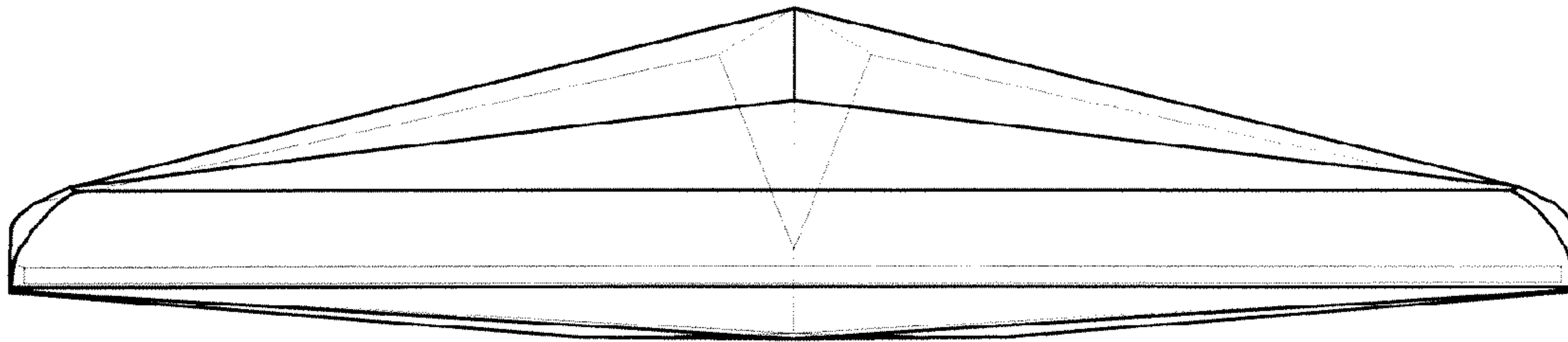


FIG. 7

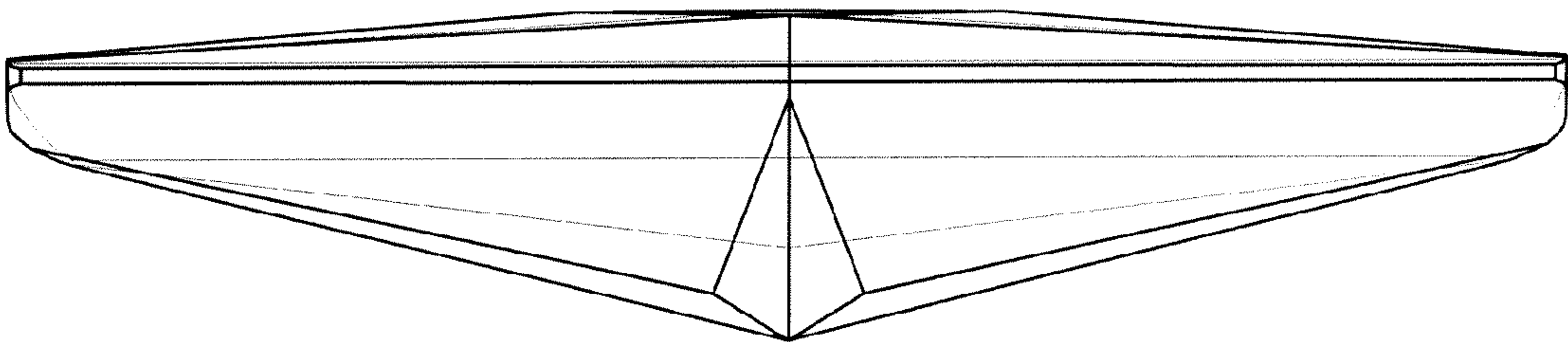


FIG. 8

