



US00D633406S

(12) **United States Design Patent**
Magri

(10) **Patent No.:** **US D633,406 S**
(45) **Date of Patent:** **** Mar. 1, 2011**

(54) **PISTON PUMP**

(75) Inventor: **Maurizio Magri**, Modena (IT)

(73) Assignee: **Annovi Reverberi S.p.A.**, Modena (IT)

(**) Term: **14 Years**

(21) Appl. No.: **29/360,314**

(22) Filed: **Apr. 23, 2010**

(30) **Foreign Application Priority Data**

Oct. 30, 2009 (EM) 001630898

(51) **LOC (9) Cl.** **15-02**

(52) **U.S. Cl.** **D11/7**

(58) **Field of Classification Search** D15/7-9;
D23/231, 232, 225; 417/60, 235, 265, 321,
417/355, 358, 363, 359, 410.1, 415-416,
417/405, 900; 60/408, 412; 184/26-37;
415/140-147; 123/495, 509

See application file for complete search history.

(56) **References Cited**

U.S. PATENT DOCUMENTS

D245,779 S * 9/1977 Nobata D15/9
D250,113 S * 10/1978 Nobata D15/9
D536,005 S * 1/2007 Reverberi D15/5
D538,824 S * 3/2007 Tojo D15/7

D613,765 S * 4/2010 Reverberi et al. D15/5
D613,766 S * 4/2010 Reverberi et al. D15/5
D613,769 S * 4/2010 Kitamura et al. D15/7
D613,770 S * 4/2010 Kitamura et al. D15/7
D613,771 S * 4/2010 Gaertner D15/7
D616,467 S * 5/2010 Reverberi et al. D15/5

* cited by examiner

Primary Examiner—Ralf Seifert

(74) *Attorney, Agent, or Firm*—Browdy and Neimark, PLLC

(57) **CLAIM**

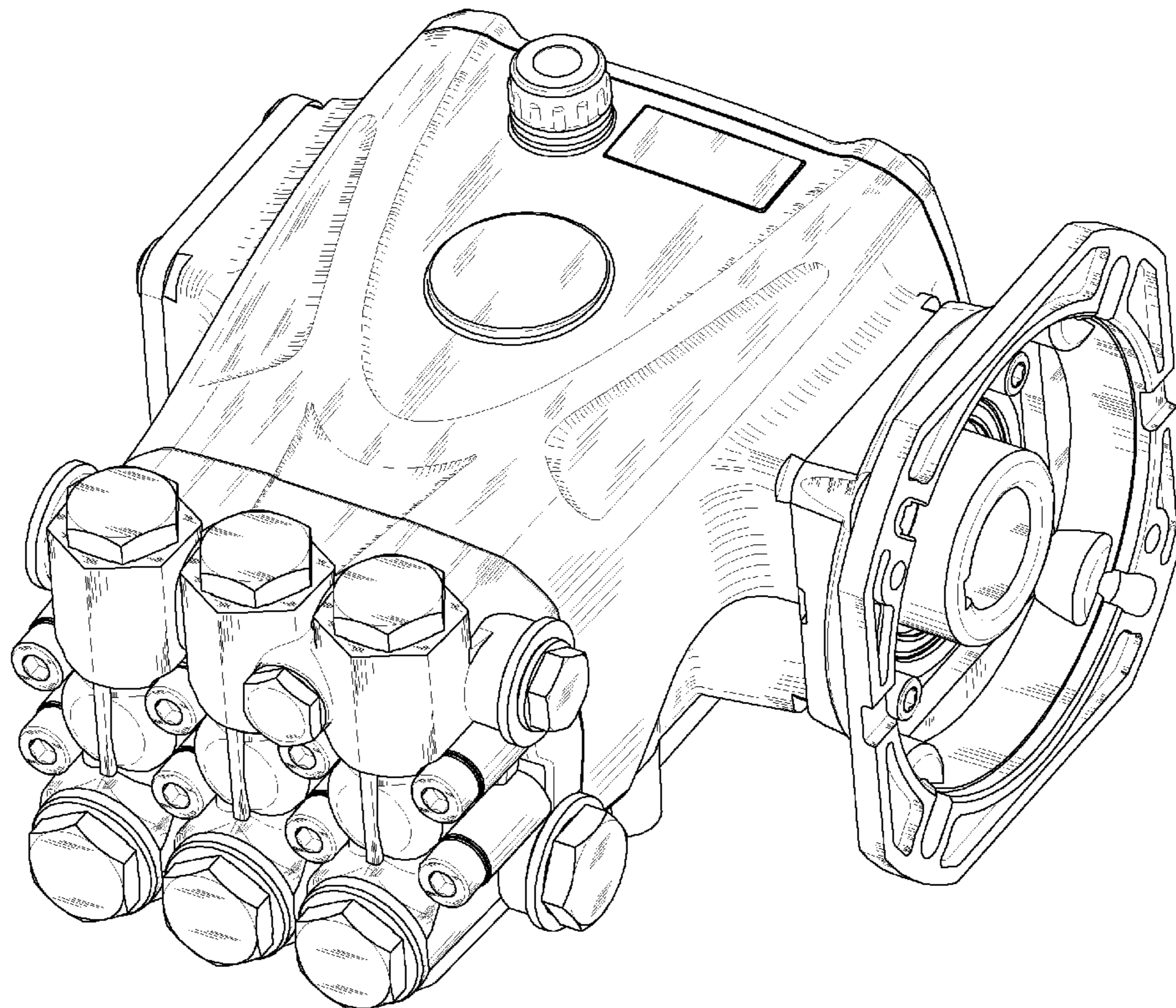
The ornamental design for “piston pump,” as shown and described.

DESCRIPTION

FIG. 1 is a front view of a first embodiment;
FIG. 2 is a rear view of the first embodiment;
FIG. 3 is a view from the lower end of FIG. 1;
FIG. 4 is a view from the upper end of FIG. 1;
FIG. 5 is a view from the right end of FIG. 1;
FIG. 6 is a view from the left end of FIG. 1; and,
FIG. 7 is a perspective view of the embodiment.

The broken lines are included for the purpose of illustrating elements of the piston pump that form no part of the claimed design.

1 Claim, 7 Drawing Sheets



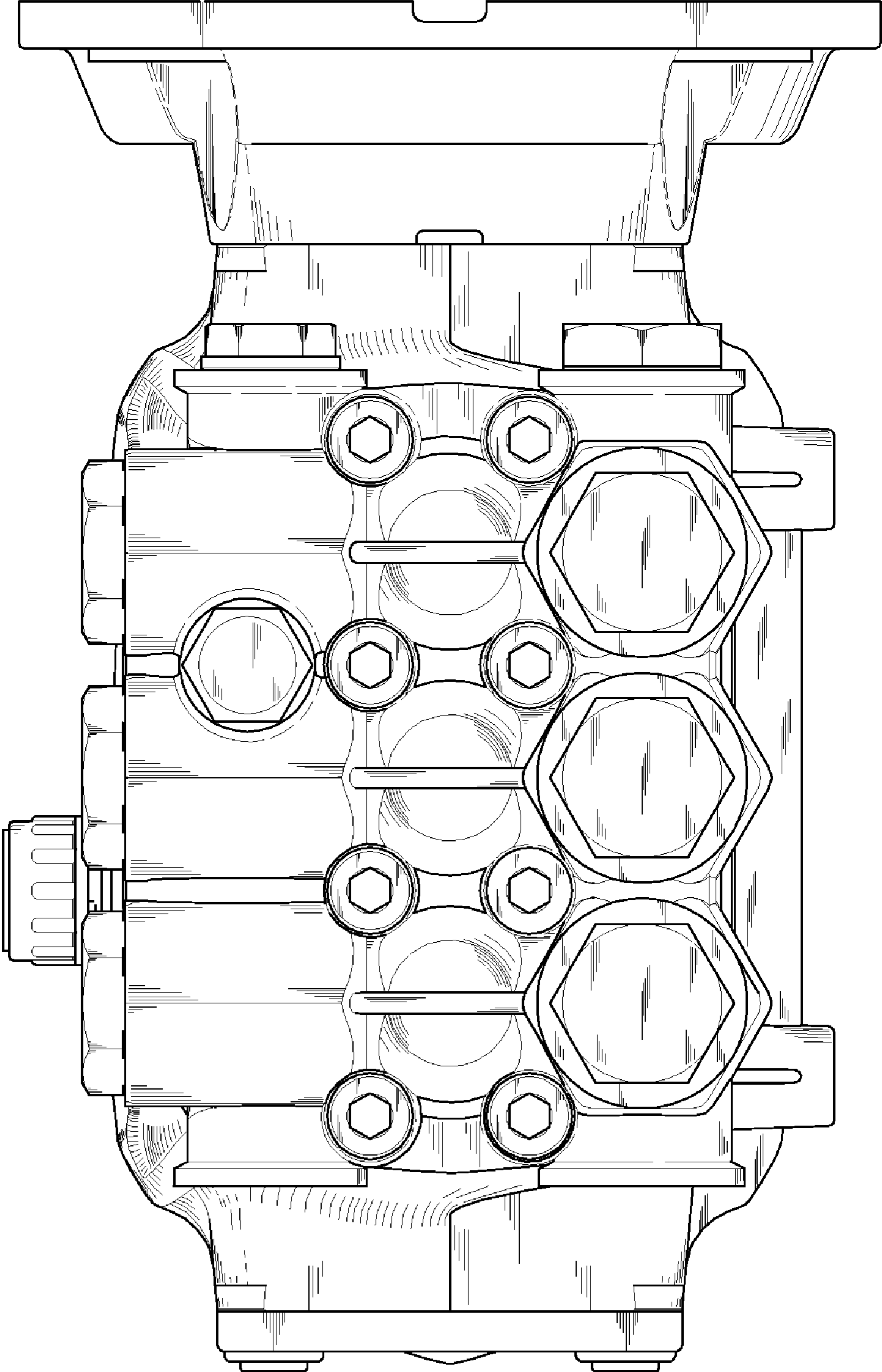


FIG. 1

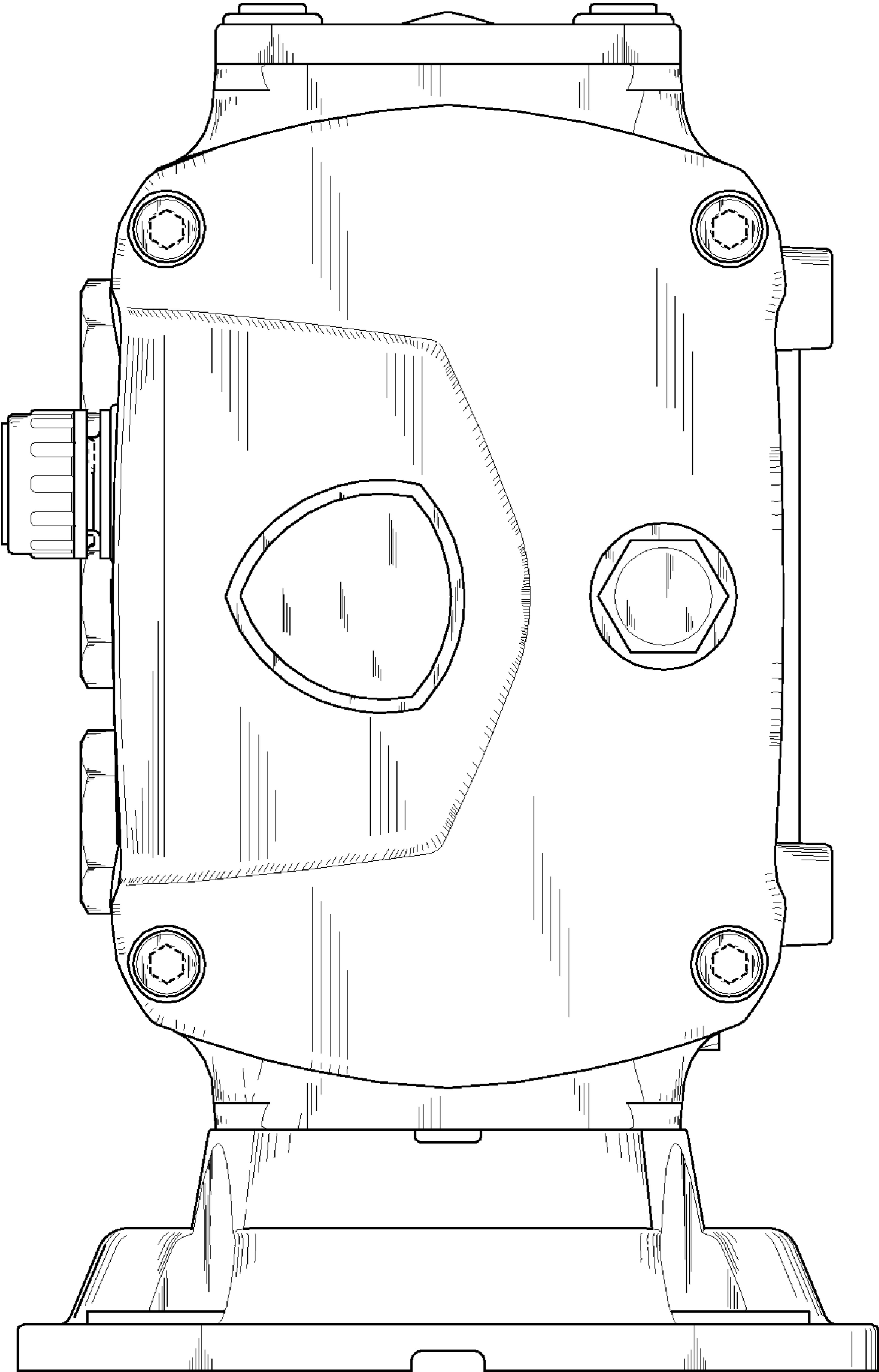


FIG. 2

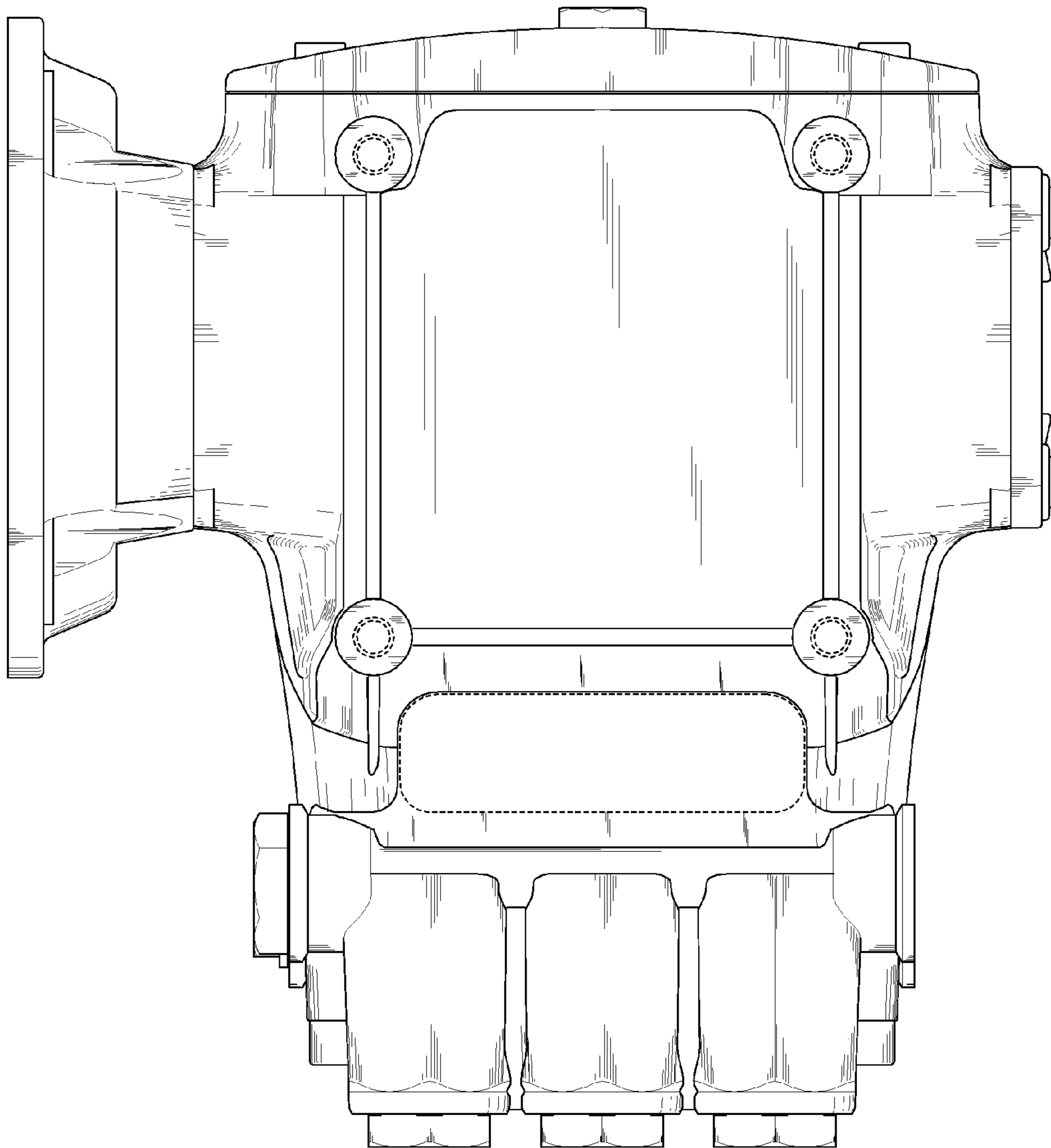


FIG.3

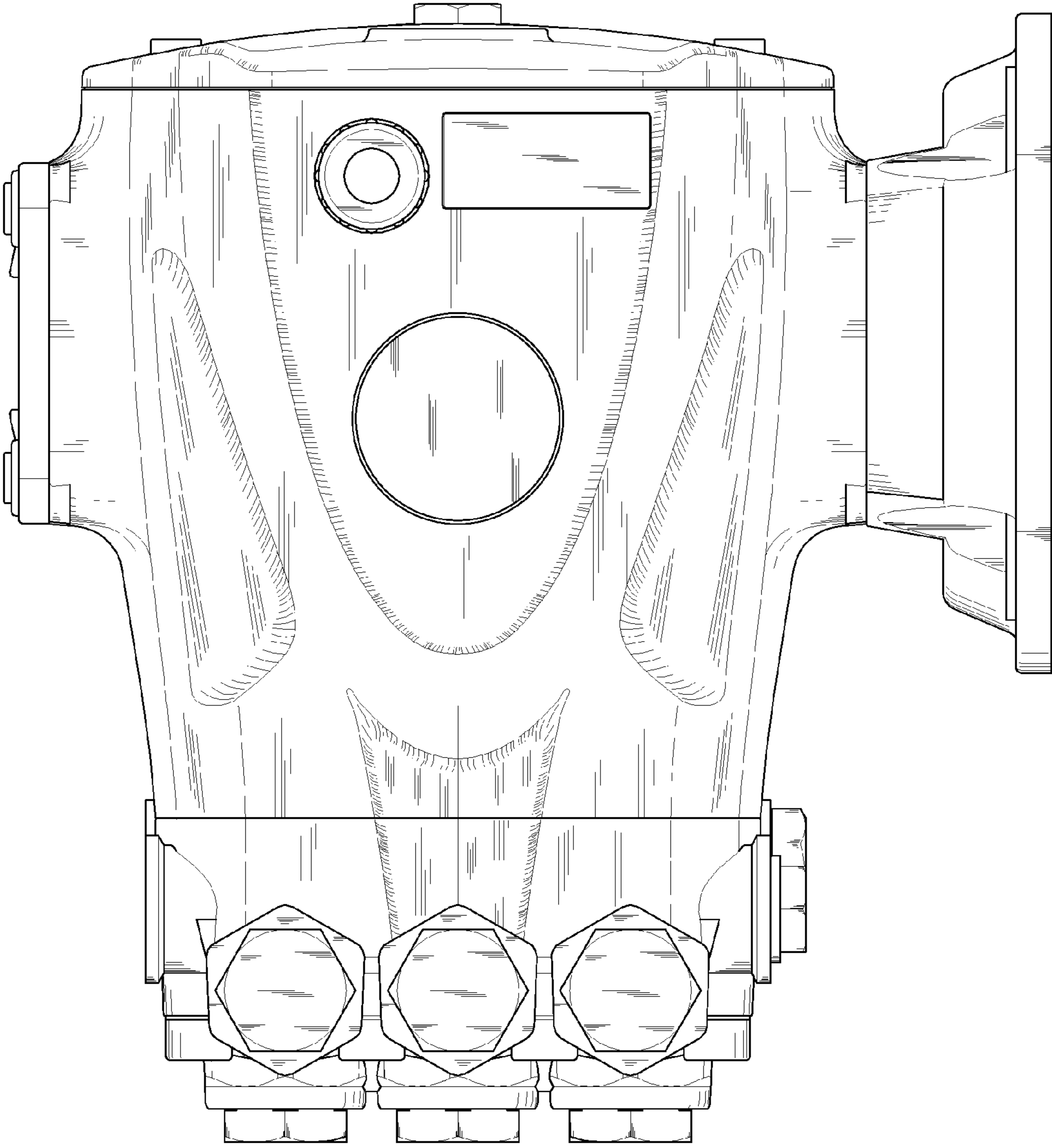


FIG. 4

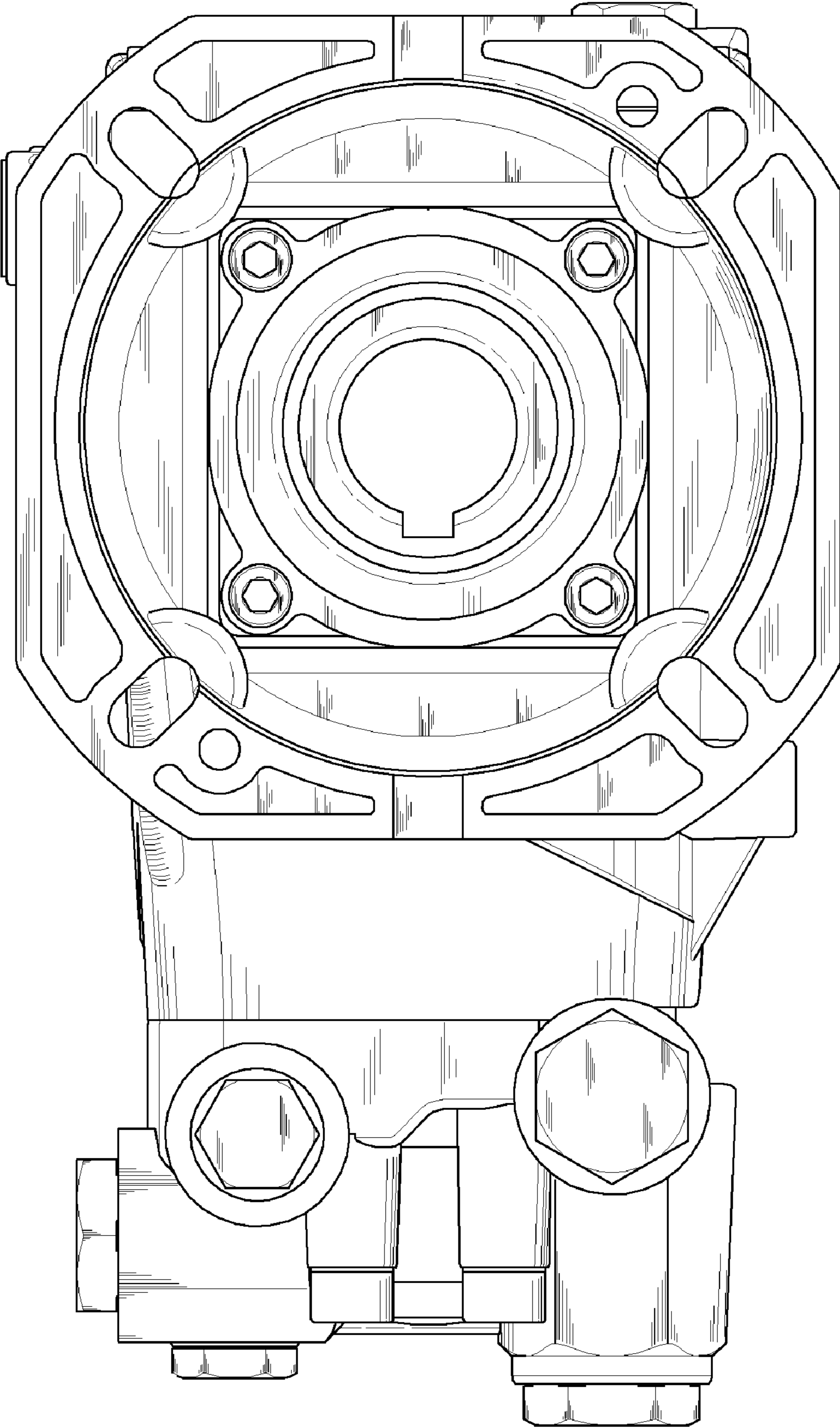


FIG. 5

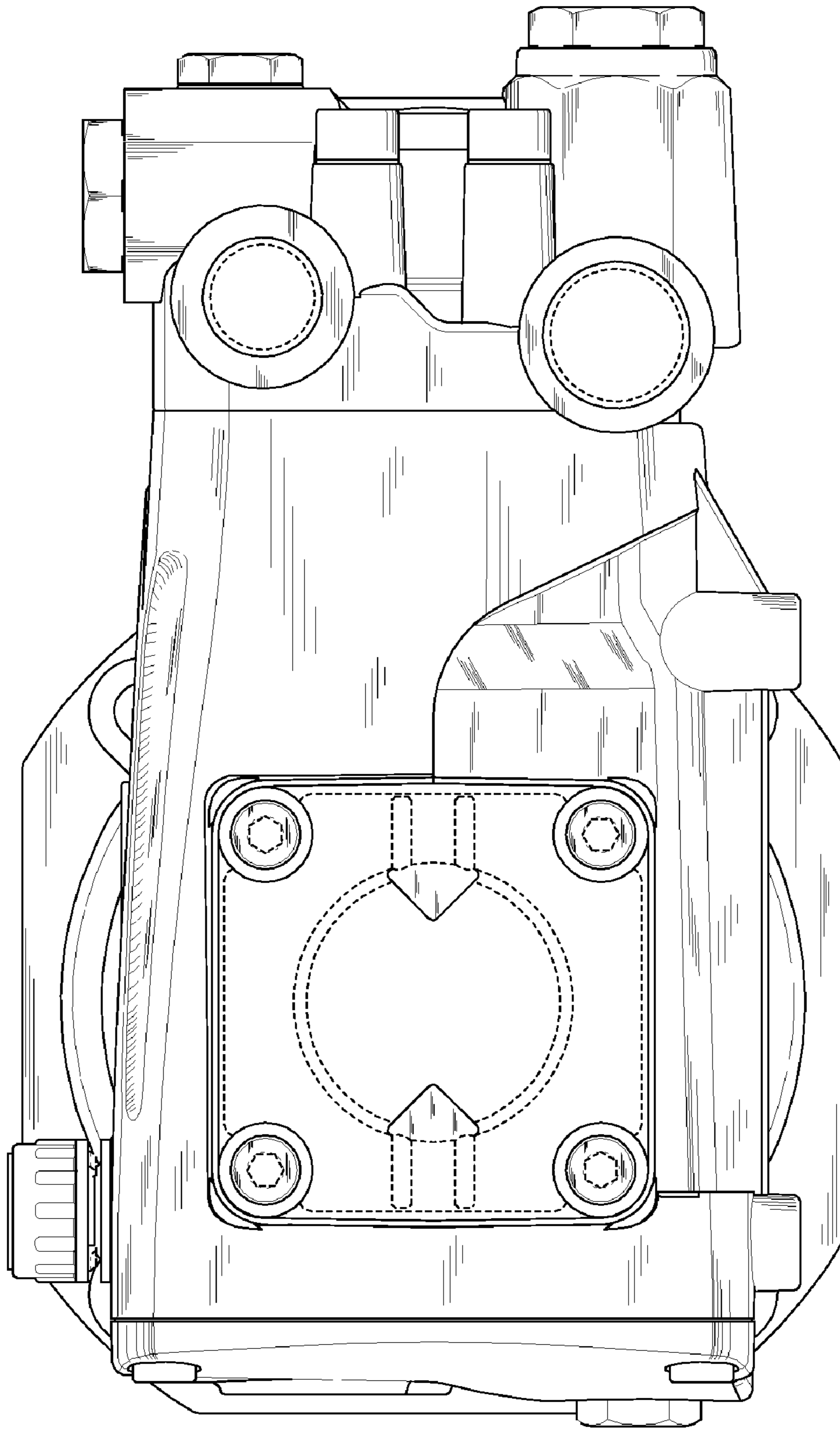


FIG. 6

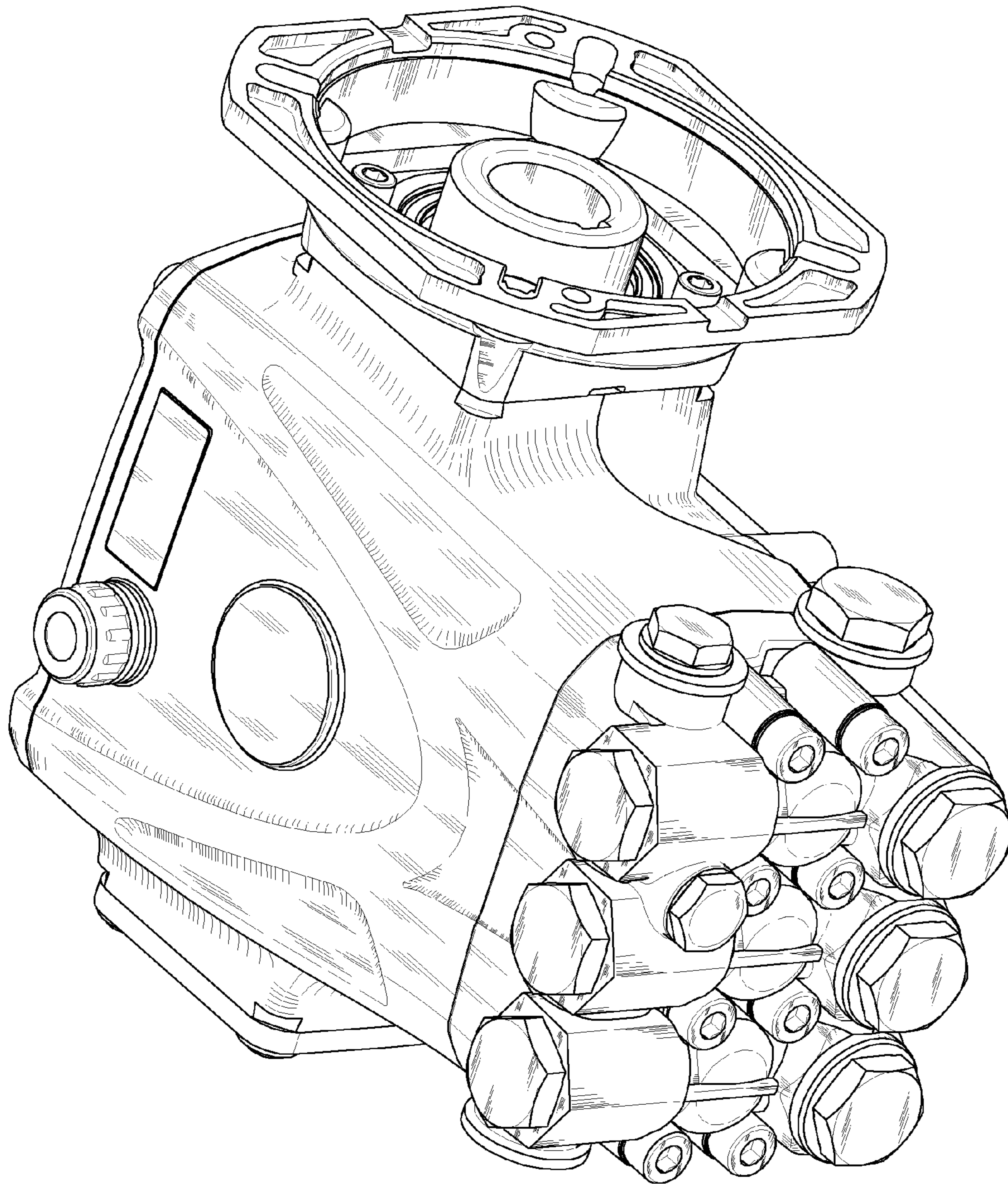


FIG. 7