



US00D633404S

(12) **United States Design Patent**  
**Brooking et al.**

(10) **Patent No.:** **US D633,404 S**  
(45) **Date of Patent:** **\*\* Mar. 1, 2011**

(54) **LIGHT BAR**

(75) Inventors: **Richard Brooking**, Weston, FL (US);  
**Anthony Chun Hua Chen**, Tucheng (TW)

(73) Assignees: **Brooking Industries, Inc.**, Sunrise, FL (US); **Juluon Enterprises, Co., Ltd.**, Shulin, Taipei Hsien (TW)

(\*\*) Term: **14 Years**

(21) Appl. No.: **29/368,510**

(22) Filed: **Aug. 25, 2010**

(51) **LOC (9) Cl.** ..... **10-05**

(52) **U.S. Cl.** ..... **D10/114**

(58) **Field of Classification Search** ..... D10/114;  
362/542, 480, 493; 340/468; D26/28, 35,  
D26/80-86

See application file for complete search history.

(56) **References Cited**

**U.S. PATENT DOCUMENTS**

D499,976 S \* 12/2004 Neufeglise et al. .... D10/114

D584,980 S \* 1/2009 Shin ..... D10/114

D593,428 S \* 6/2009 Lyons ..... D10/114

(Continued)

*Primary Examiner*—Caron Veynar

*Assistant Examiner*—George D Kirschbaum

(74) *Attorney, Agent, or Firm*—King & Schickli, PLLC

(57) **CLAIM**

The ornamental design of a light bar, as shown and described.

**DESCRIPTION**

FIG. 1 is a perspective view of the light bar;

FIG. 2 is a front view of the light bar;

FIG. 3 is a top view of the light bar;

FIG. 4 is a side view of the light bar;

FIG. 5 is a side view of the light bar;

FIG. 6 is a rear view of the light bar;

FIG. 7 is a bottom view of the light bar;

FIG. 8 is a perspective view of an end module of the light bar;

FIG. 9 is a side view of the end module of the light bar;

FIG. 10 is a top view of the end module of the light bar;

FIG. 11 is a front view of the end module of the light bar;

FIG. 12 is a rear view of the end module of the light bar;

FIG. 13 is a side view of the end module of the light bar;

FIG. 14 is a bottom view of the end module of the light bar;

FIG. 15 is a perspective view of an interior module of the light bar;

FIG. 16 is a side view of the interior module of the light bar;

FIG. 17 is a top view of the interior module of the light bar;

FIG. 18 is a side view of the interior module of the light bar;

FIG. 19 is a front view of the interior module of the light bar;

FIG. 20 is a rear view of the interior module of the light bar;

FIG. 21 is a bottom view of the interior module of the light bar;

FIG. 22 is a perspective view of a center module of the light bar;

FIG. 23 is a side view of the center module of the light bar;

FIG. 24 is a top view of the center module of the light bar;

FIG. 25 is a side view of the center module of the light bar;

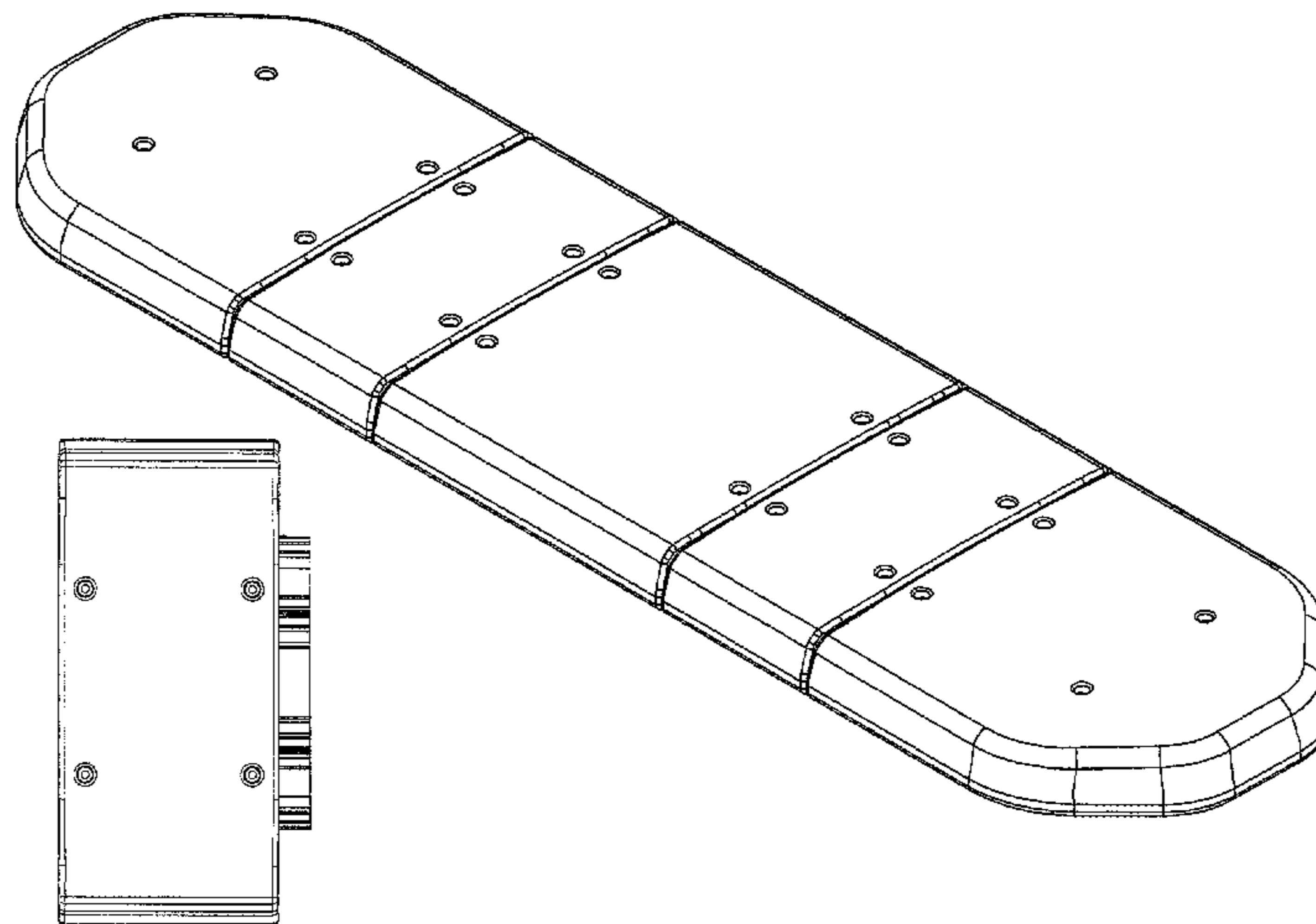
FIG. 26 is a front view of the center module of the light bar;

FIG. 27 is a rear view of the center module of the light bar; and,

FIG. 28 is a bottom view of the center module of the light bar.

The claim is directed to the appearance of a light bar as shown in FIGS. 1-7, and the various elements of the light bar are shown in FIGS. 8-28 to reveal details that are not apparent in FIGS. 1-7.

**1 Claim, 28 Drawing Sheets**



# US D633,404 S

Page 2

---

## U.S. PATENT DOCUMENTS

D602,391 S *	10/2009	Stein .....	D10/114	D608,674 S *	1/2010	Lyons .....	D10/114
D603,740 S *	11/2009	Lyons .....	D10/114	2010/0073948 A1 *	3/2010	Stein et al. ....	362/493
7,611,270 B1	11/2009	Lyons et al.					

\* cited by examiner

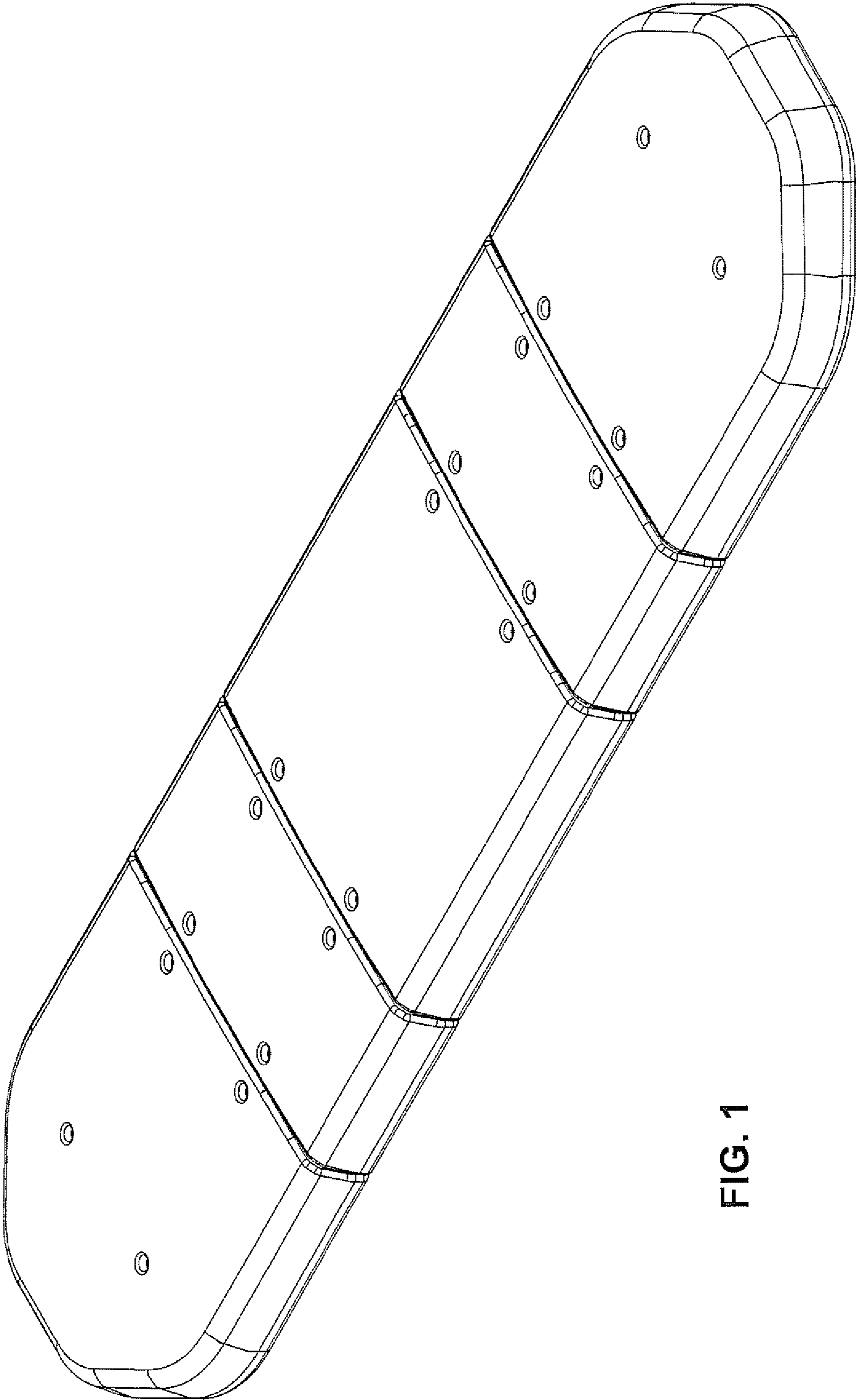


FIG. 1



FIG. 2

FIG. 3

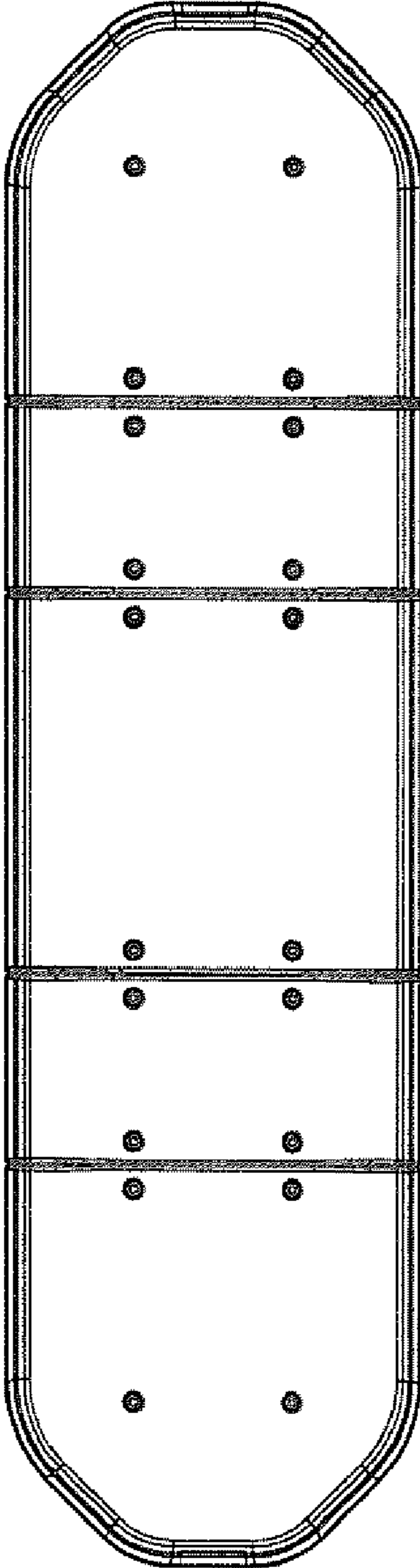


Fig. 4



**FIG. 5**





FIG. 6



FIG. 7

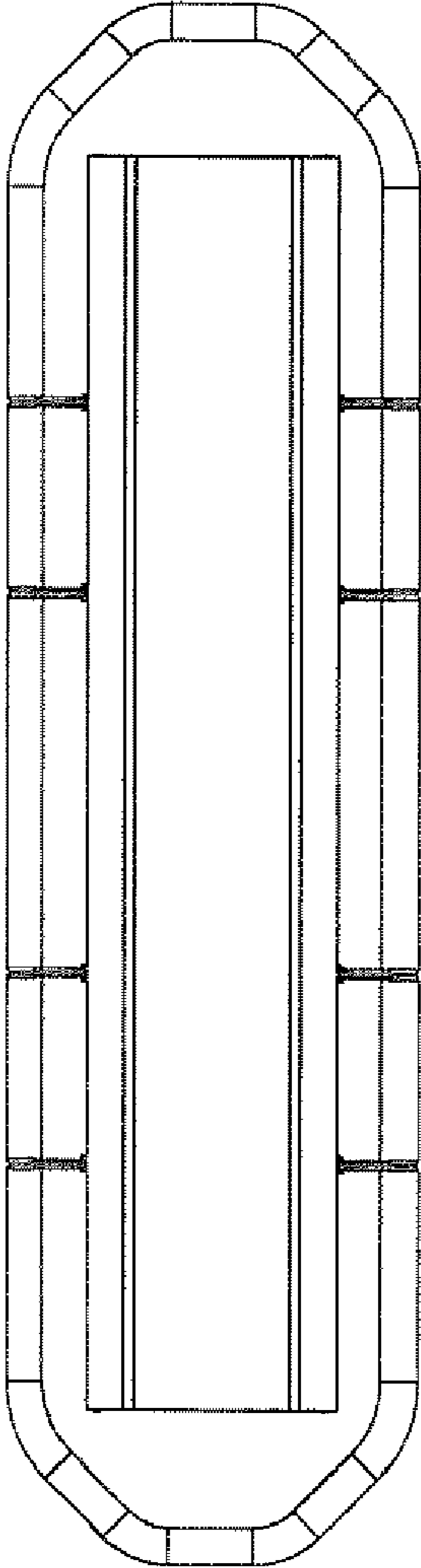


FIG. 8

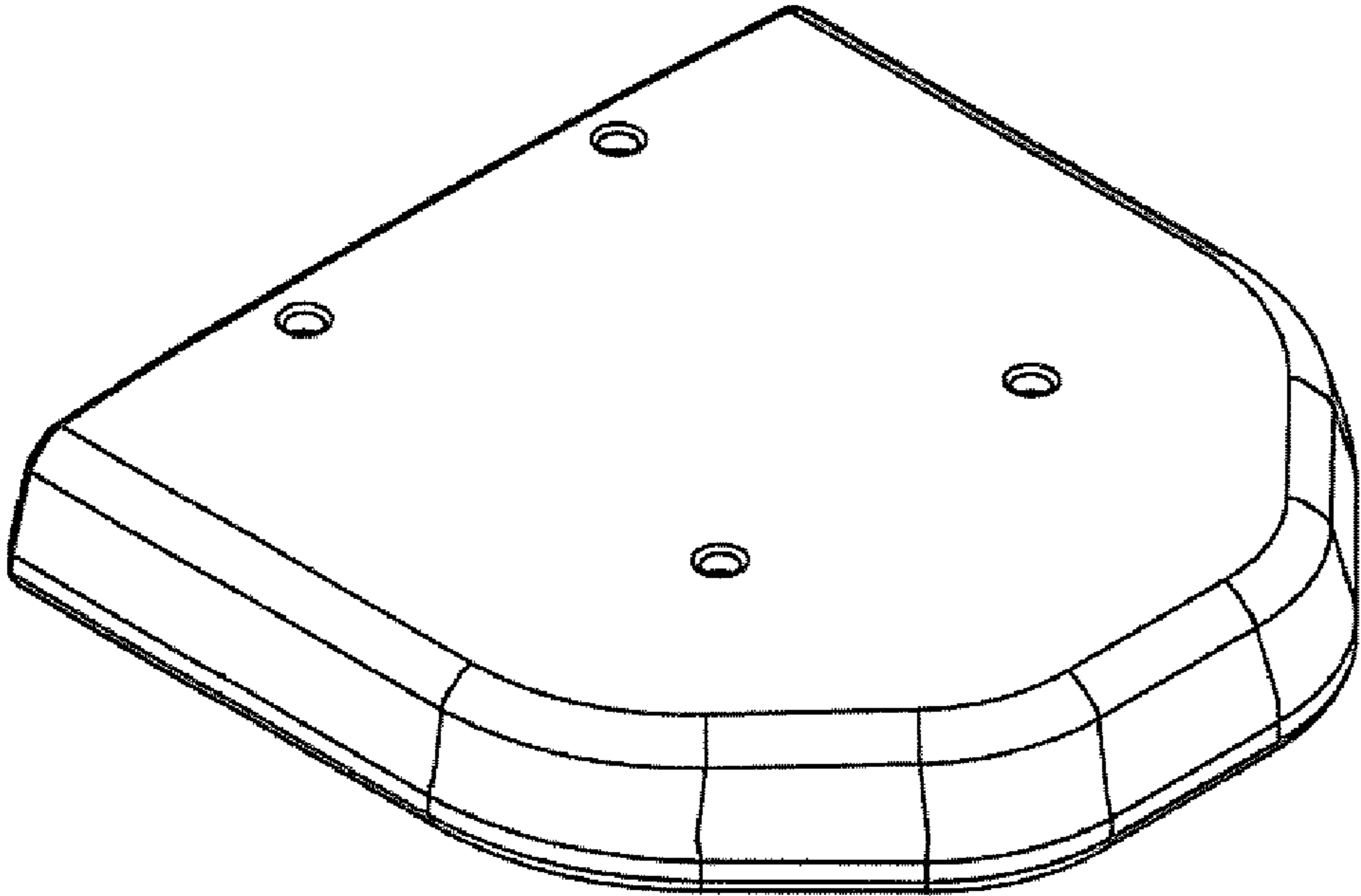


FIG. 9



FIG. 10

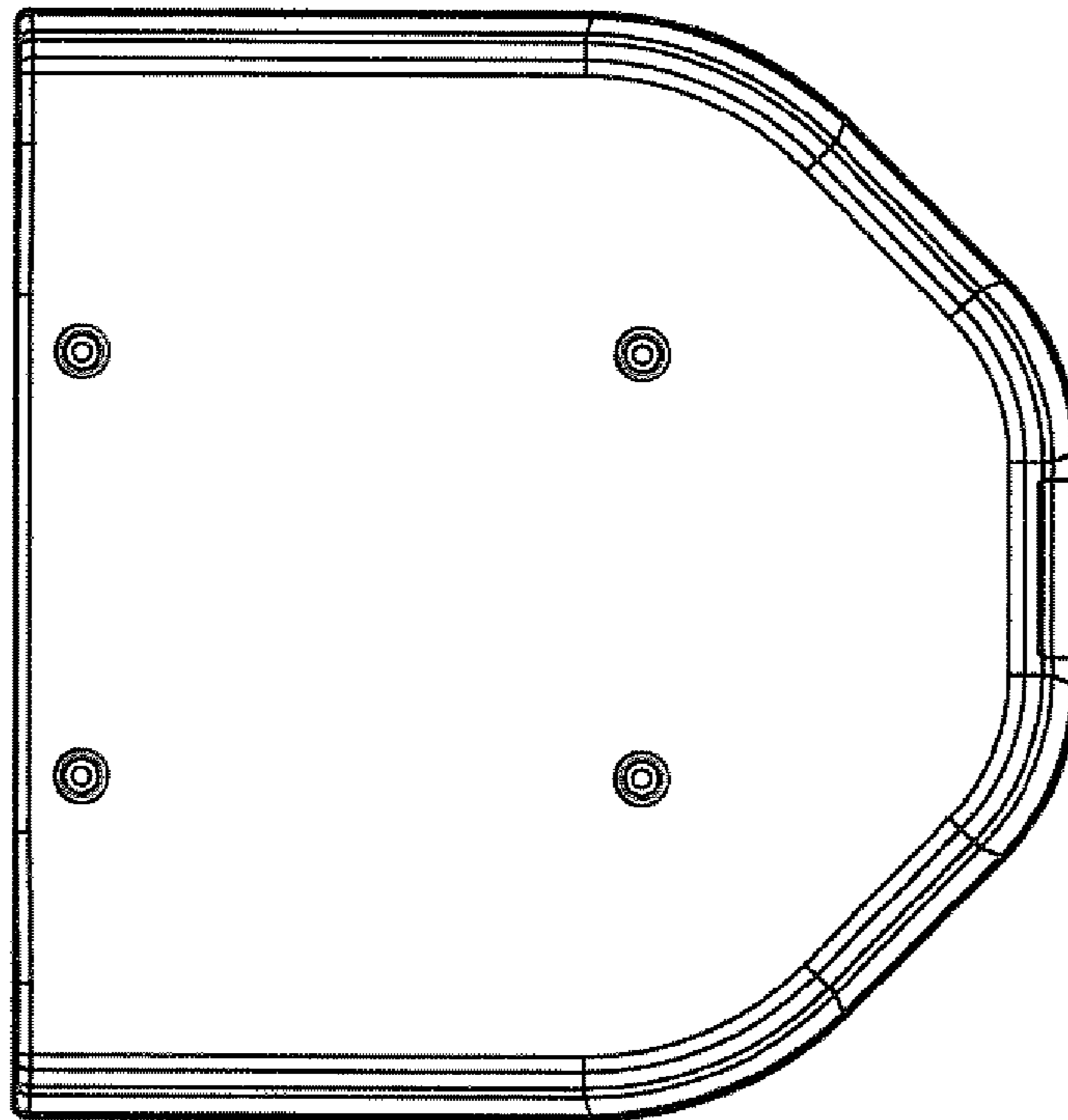


FIG. 11

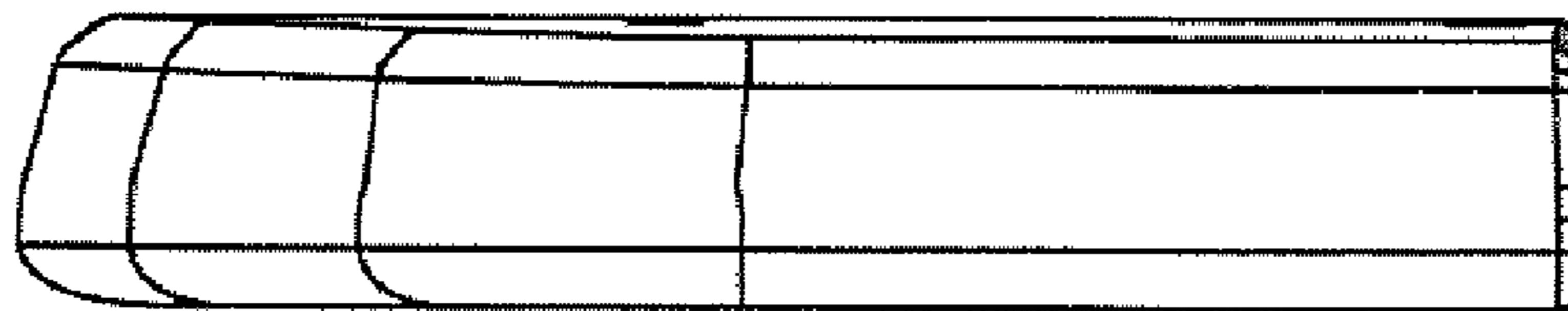


FIG. 12

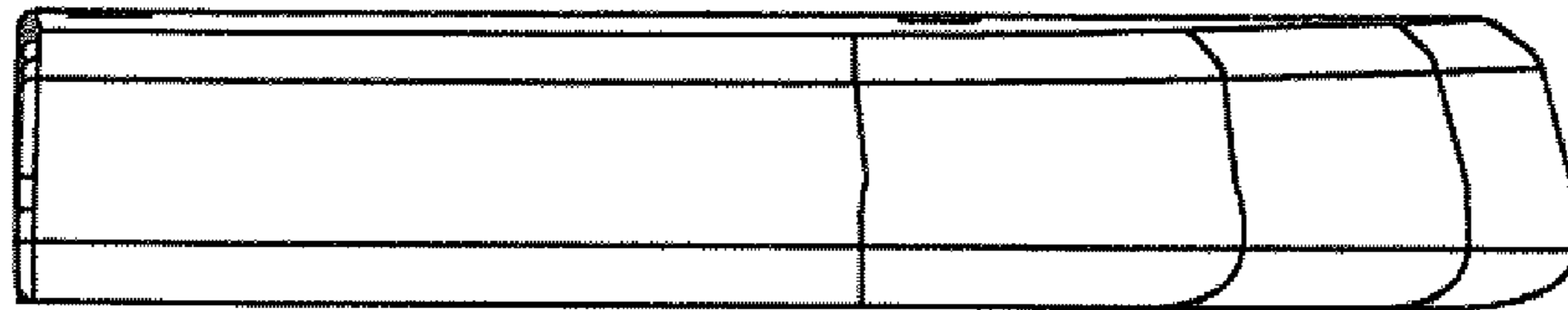


FIG. 13

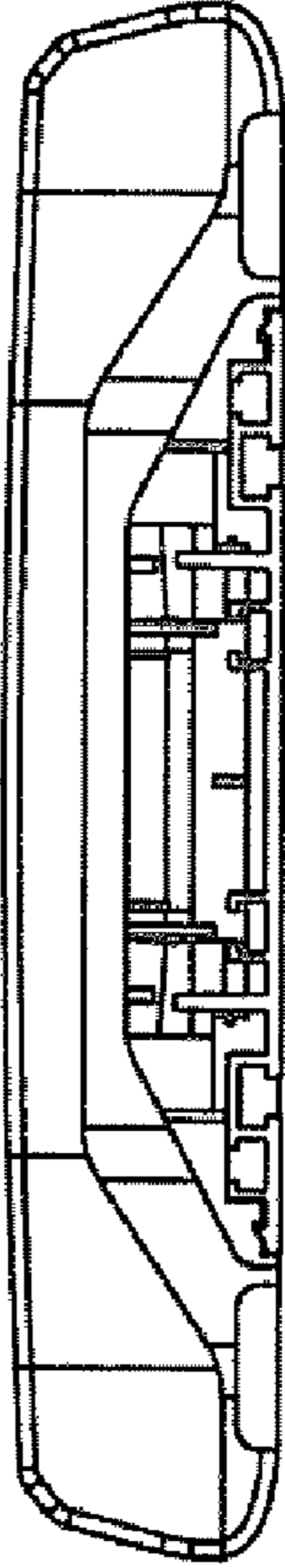


FIG. 14

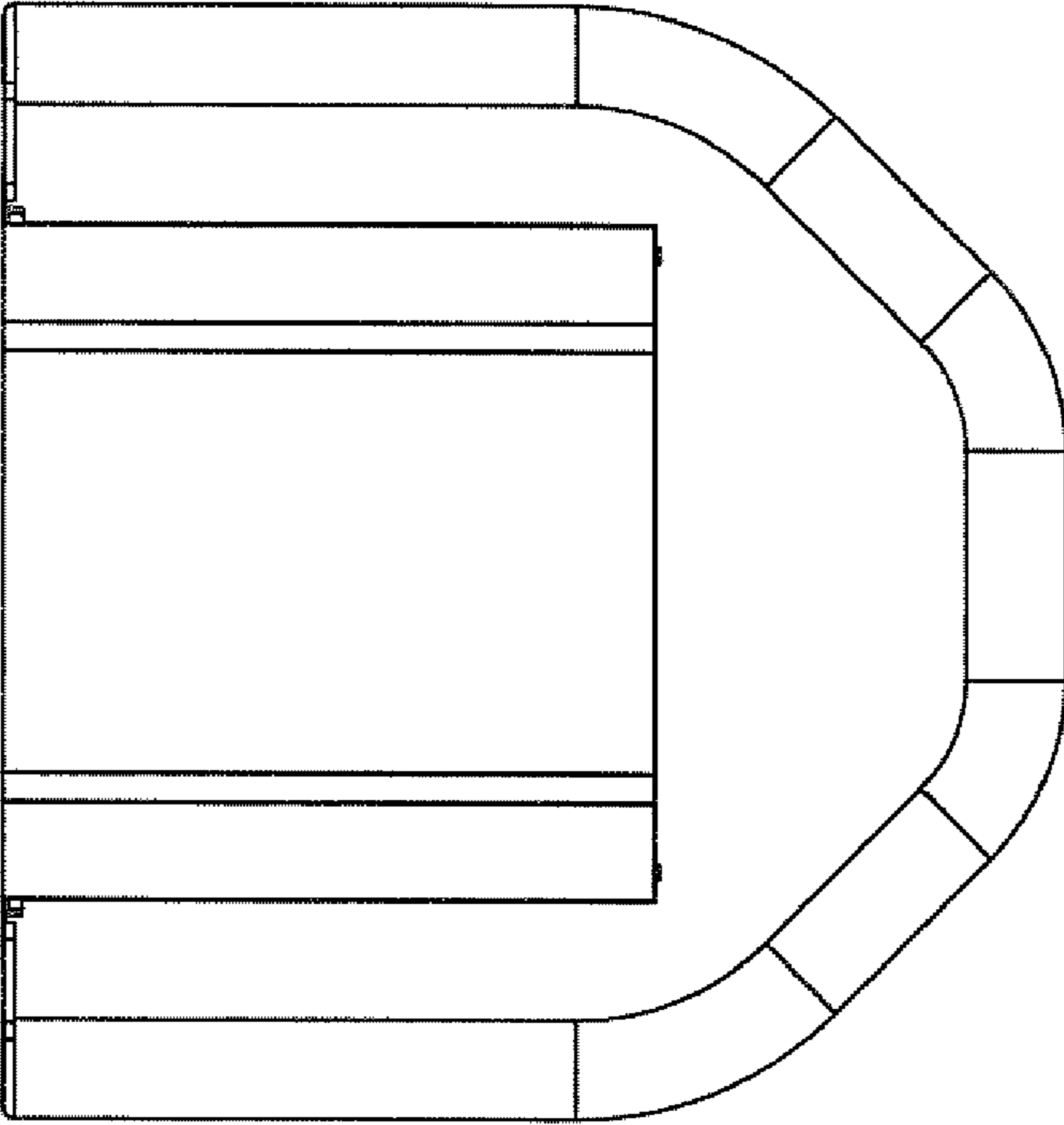




FIG. 15

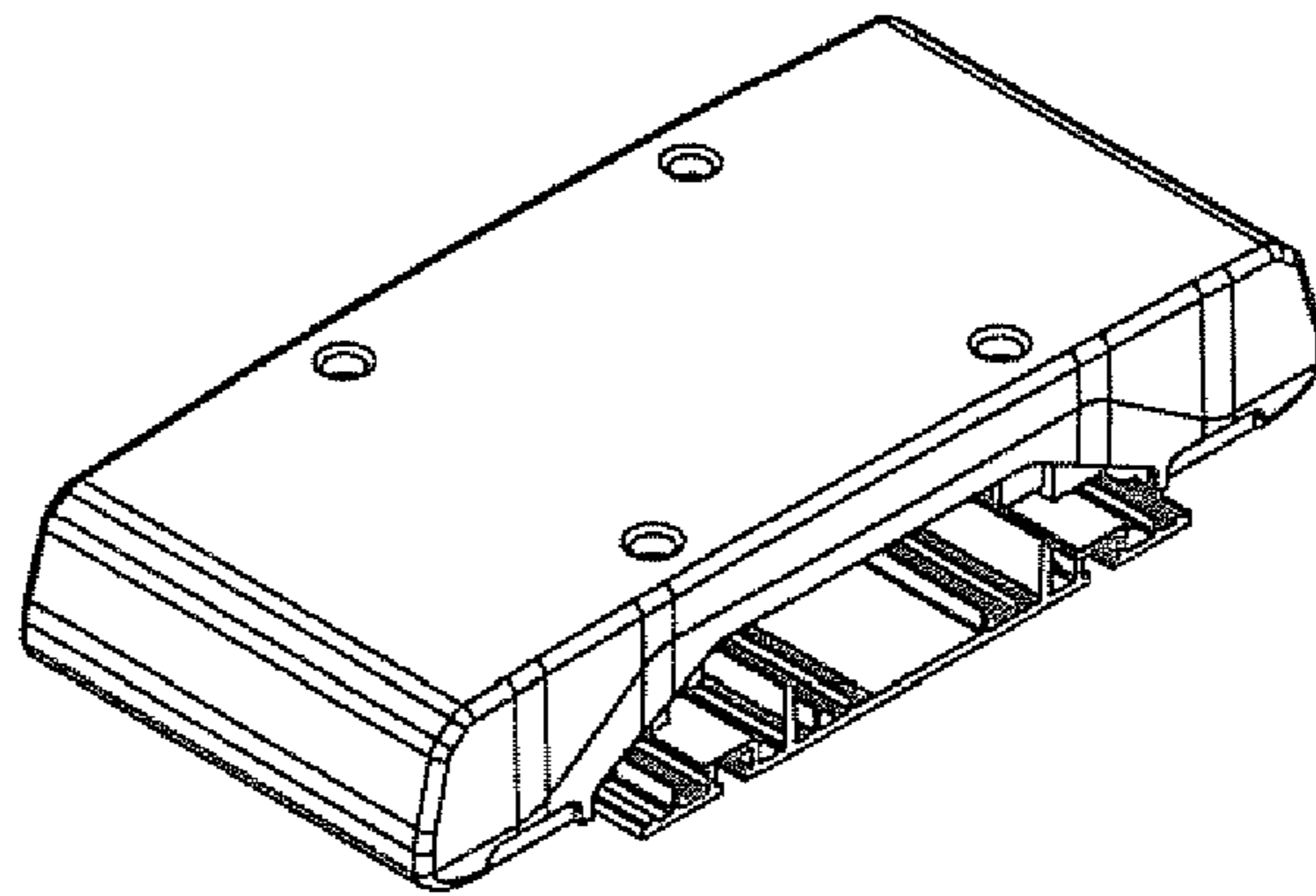
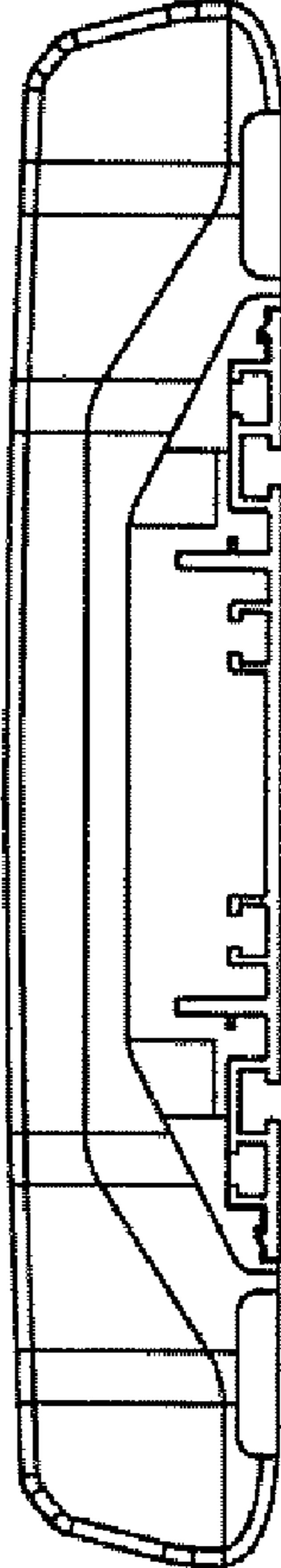


FIG. 16



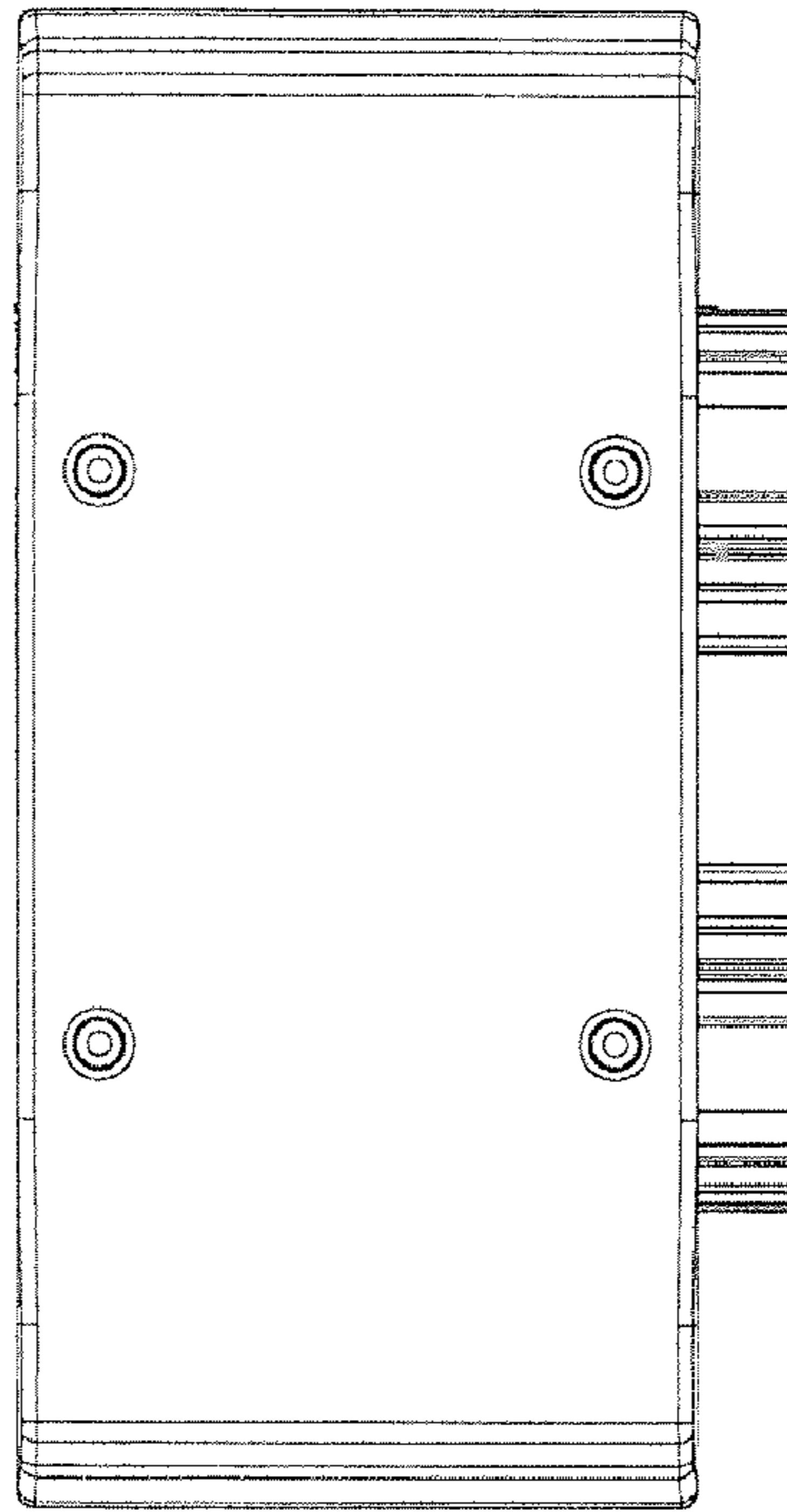


FIG. 17

FIG. 18

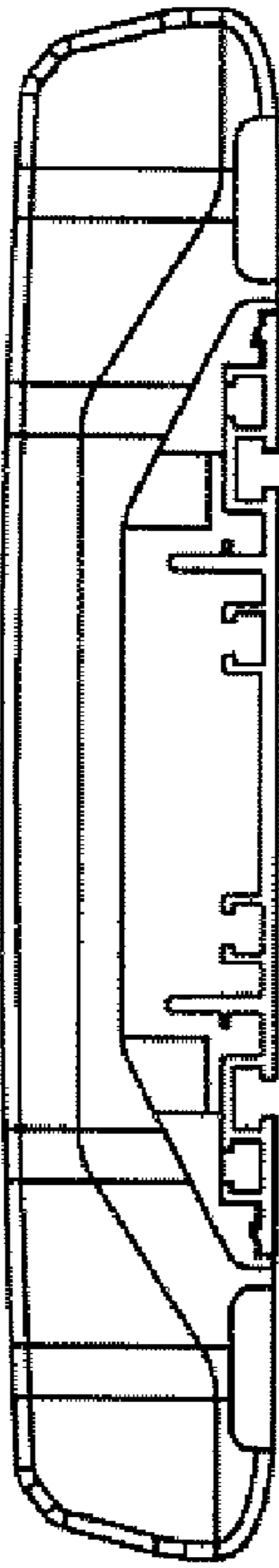


FIG. 19

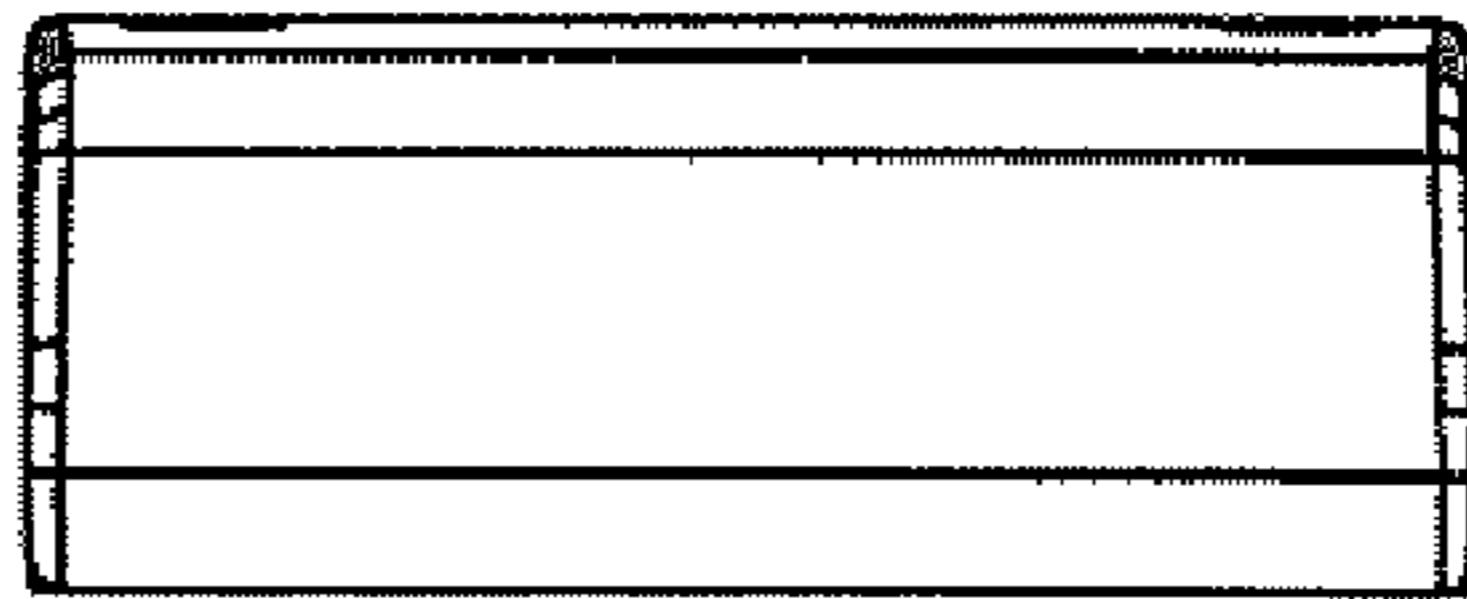


FIG. 20

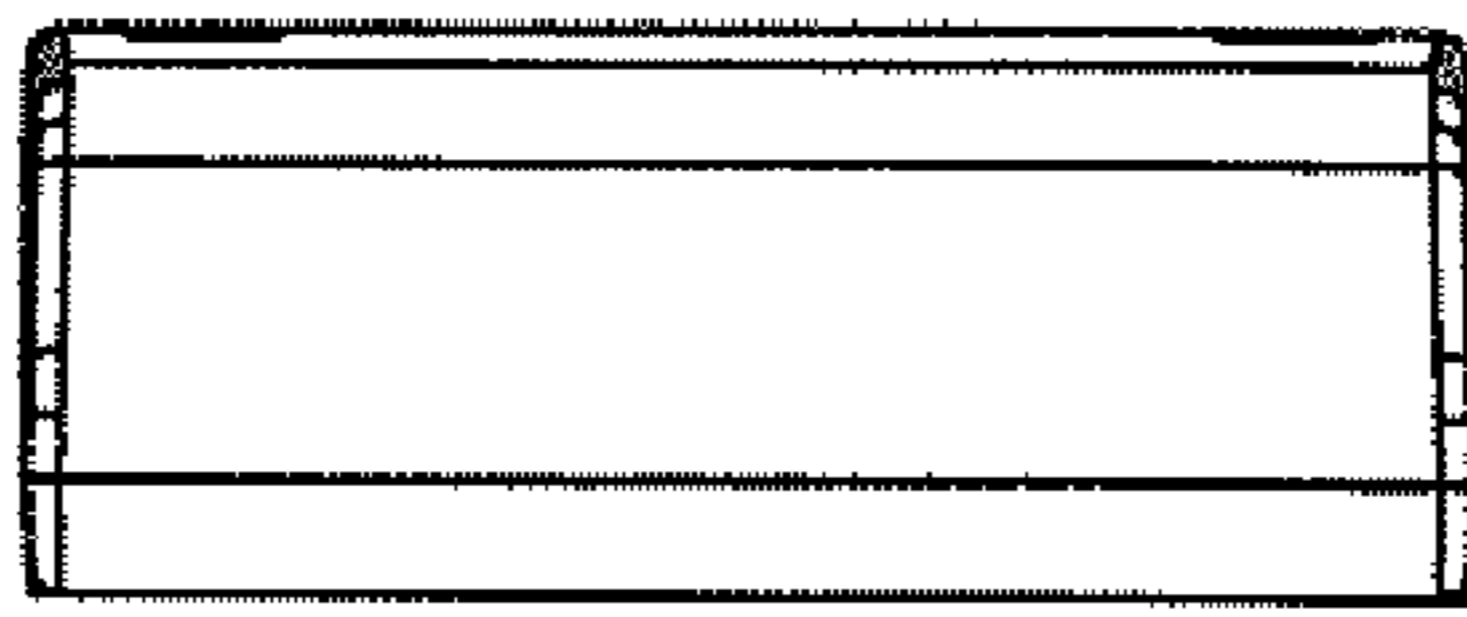


FIG. 21

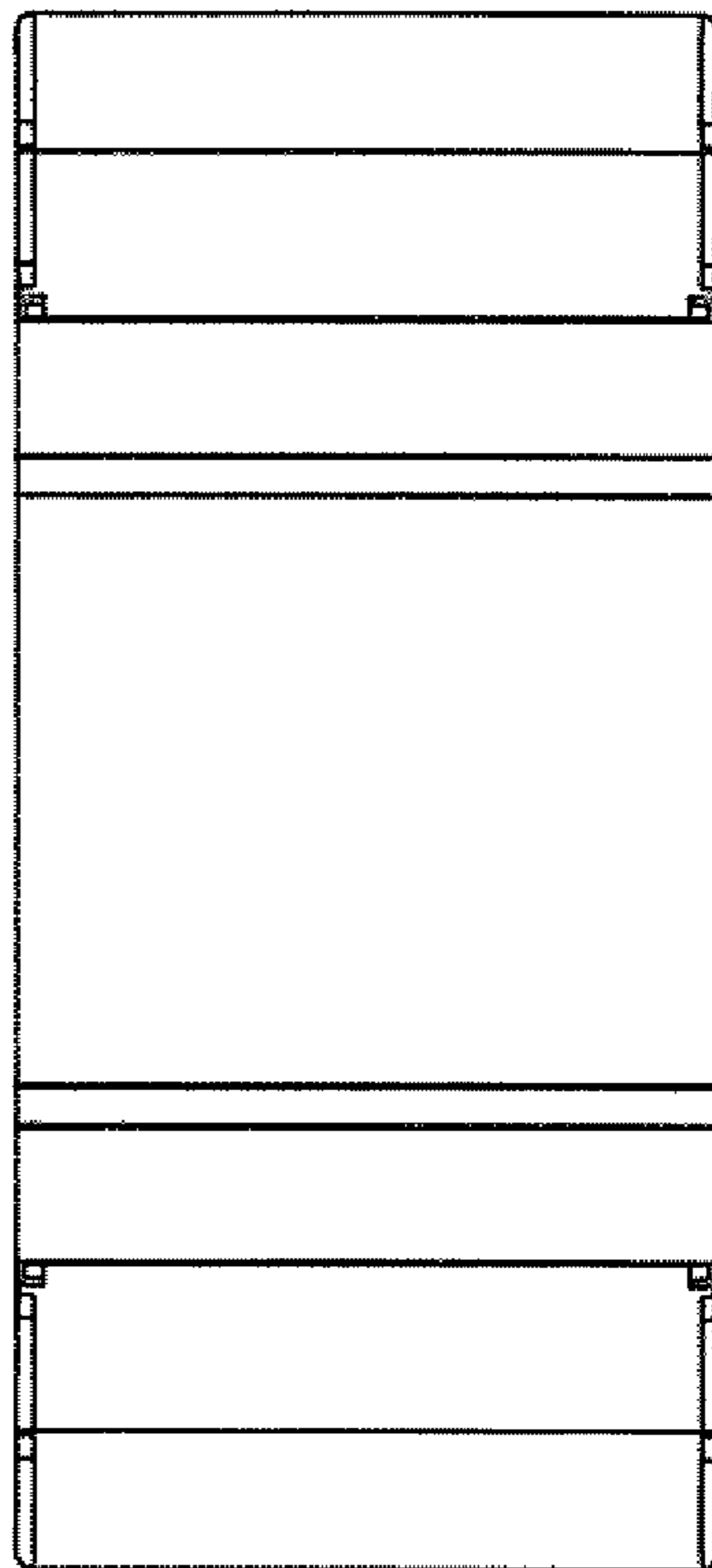
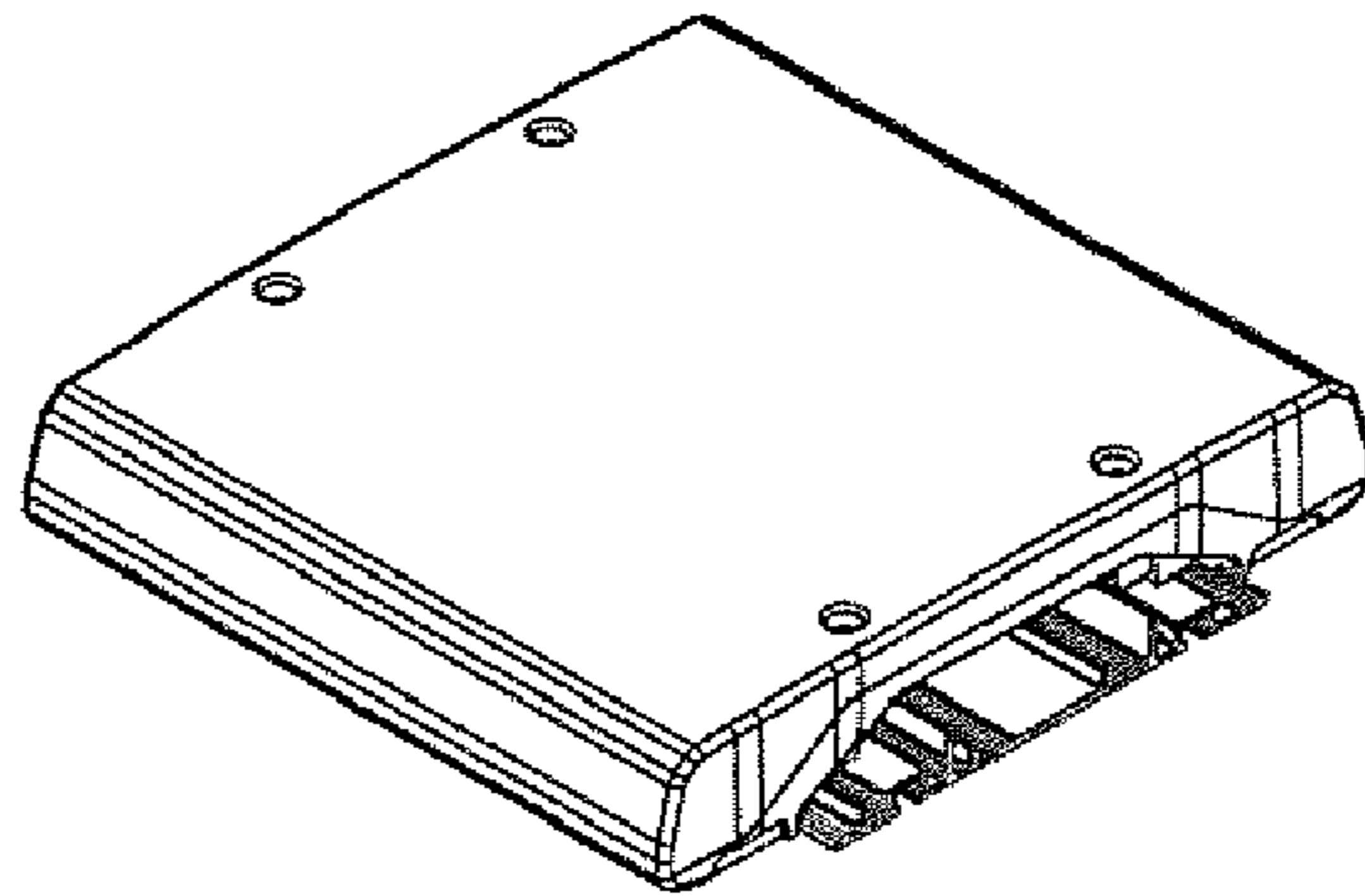


FIG. 22





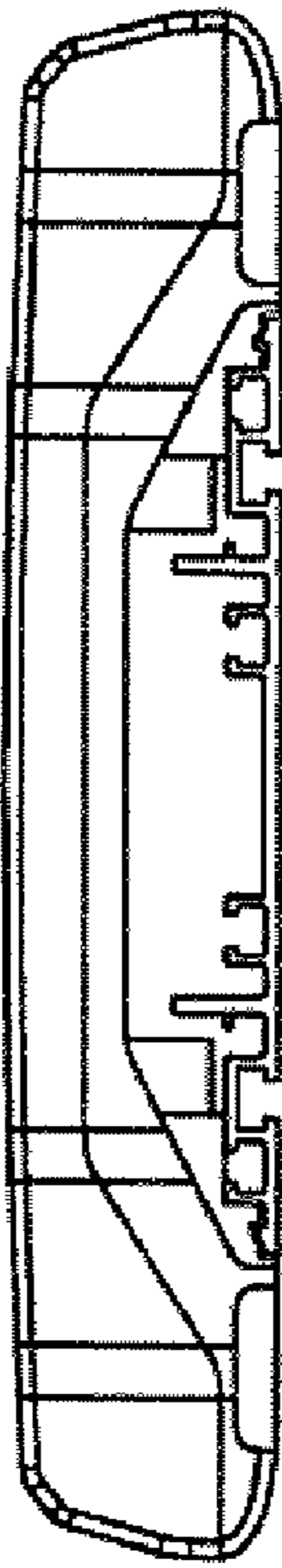


FIG. 23

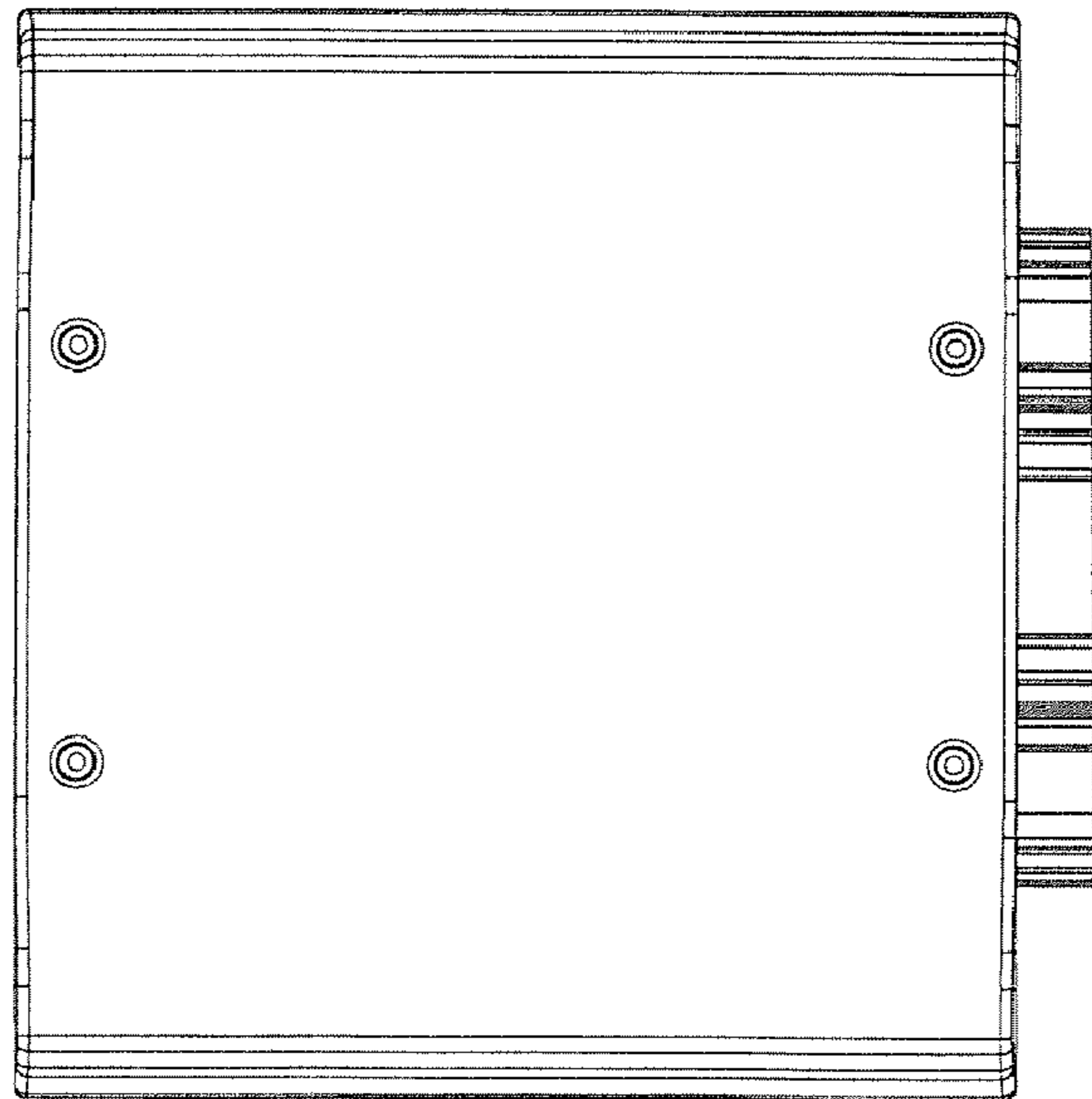


FIG. 24

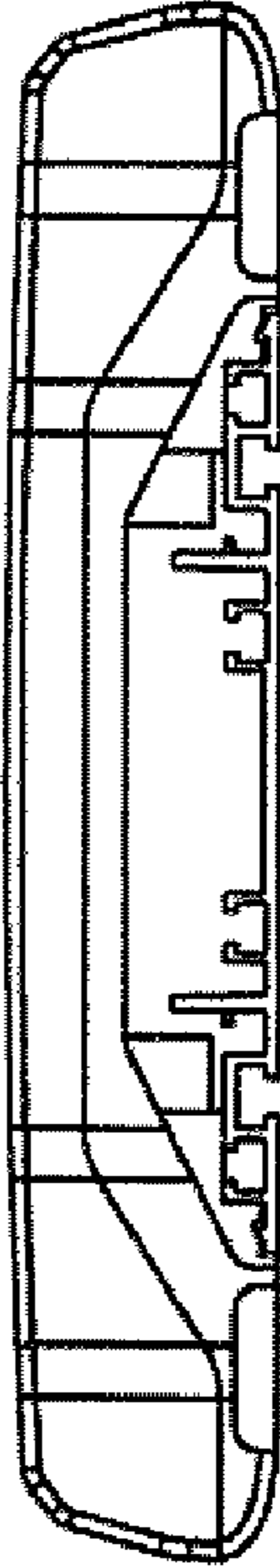


FIG. 25

FIG. 26

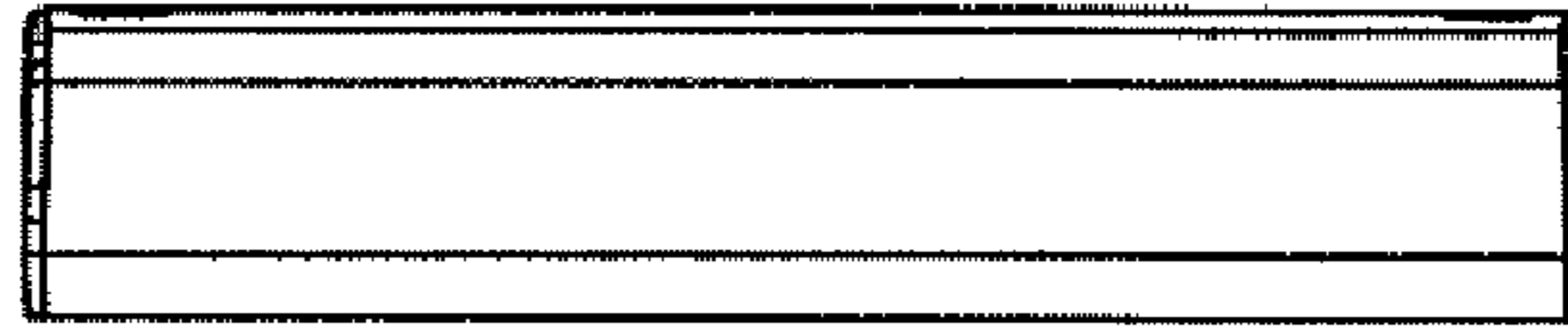


FIG. 27

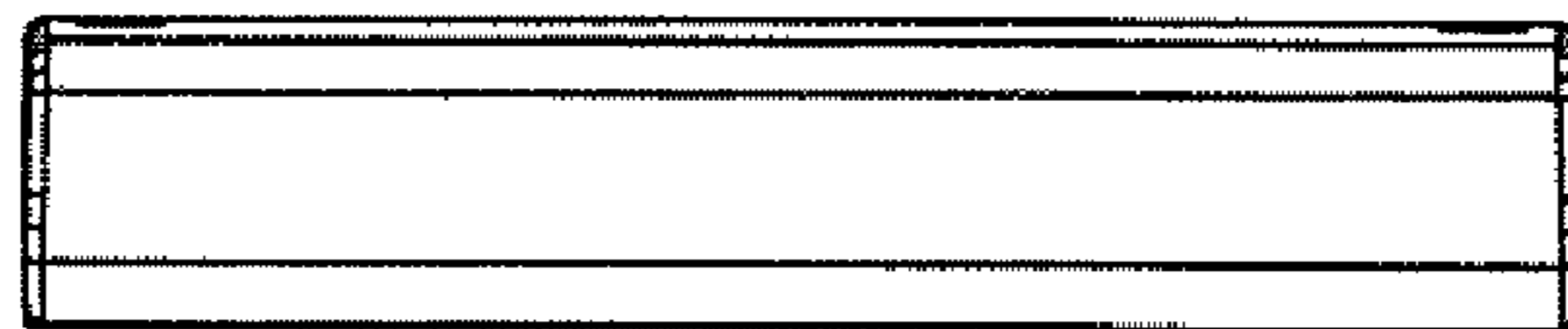


FIG. 28

