



US00D633403S

(12) **United States Design Patent**
Appoyer

(10) **Patent No.:** **US D633,403 S**
(45) **Date of Patent:** **** Mar. 1, 2011**

(54) **ELECTRICITY METER**

(75) Inventor: **Bernhard Appoyer**, Vienna (AT)

(73) Assignee: **Siemens AG**, Munich (DE)

(**) Term: **14 Years**

(21) Appl. No.: **29/352,740**

(22) Filed: **Dec. 24, 2009**

(30) **Foreign Application Priority Data**

Jun. 24, 2009 (EM) 001151047

(51) **LOC (9) Cl.** **10-04**

(52) **U.S. Cl.** **D10/100**

(58) **Field of Classification Search** D10/49-50,
D10/57, 99, 100; 324/142, 117, 74, 127,
324/107, 13 R; 364/483, 492, 493, 569,
364/577, 481; 340/538, 539, 657, 825.16;
702/60-62, 85

See application file for complete search history.

(56) **References Cited**

U.S. PATENT DOCUMENTS

5,315,236 A * 5/1994 Lee 324/157
D366,434 S * 1/1996 Brown et al. D10/99

D430,499 S * 9/2000 Sakakibara et al. D10/99
D458,864 S * 6/2002 Keeler et al. D10/99
D482,291 S * 11/2003 Sim D10/100
D603,737 S * 11/2009 Sheikh D10/99
2005/0060107 A1 * 3/2005 Rodenberg et al. 702/62

* cited by examiner

Primary Examiner—Antoine D Davis

(74) *Attorney, Agent, or Firm*—Laurence A. Greenberg;
Werner H. Stemer; Ralph E. Locher

(57) **CLAIM**

The ornamental design for an electricity meter, as shown and described.

DESCRIPTION

FIG. 1 is a front elevational view of the electricity meter, showing my new design;

FIG. 2 is a rear elevational view thereof;

FIG. 3 is a top plan view thereof;

FIG. 4 is a bottom plan view thereof;

FIG. 5 is a right side view thereof;

FIG. 6 is a left side view thereof; and,

FIG. 7 is a perspective view thereof.

1 Claim, 7 Drawing Sheets

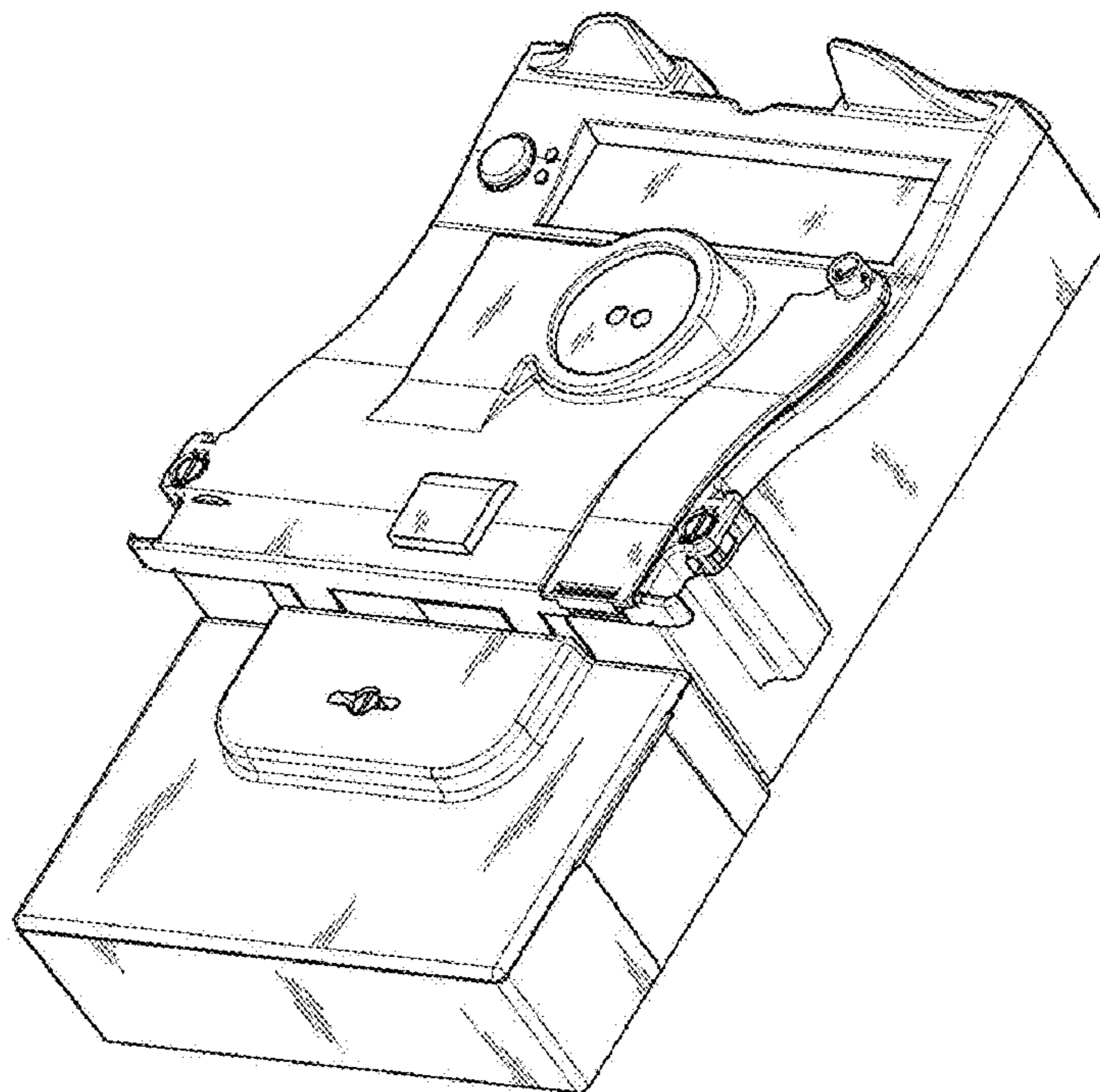


FIG. 1

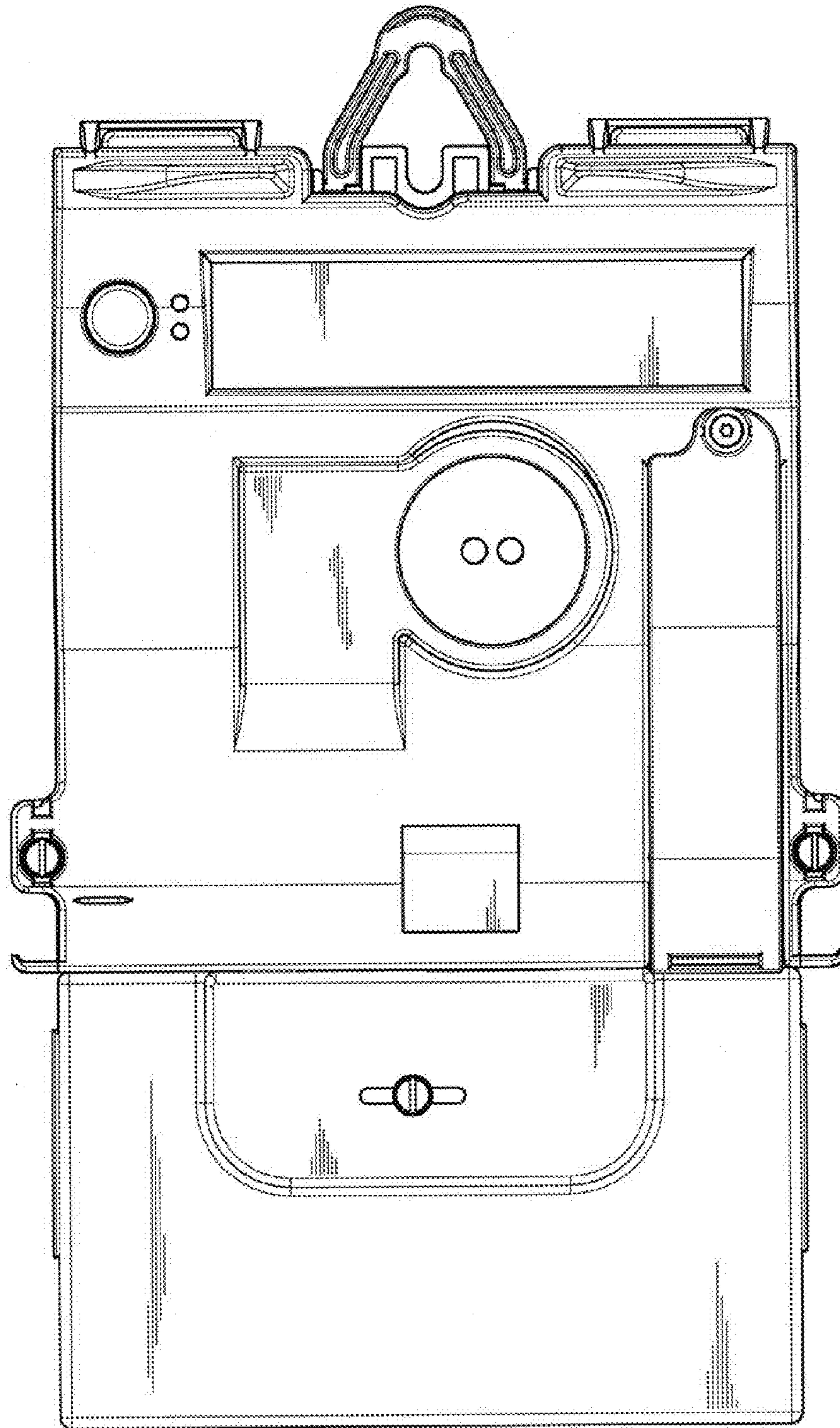


FIG. 2

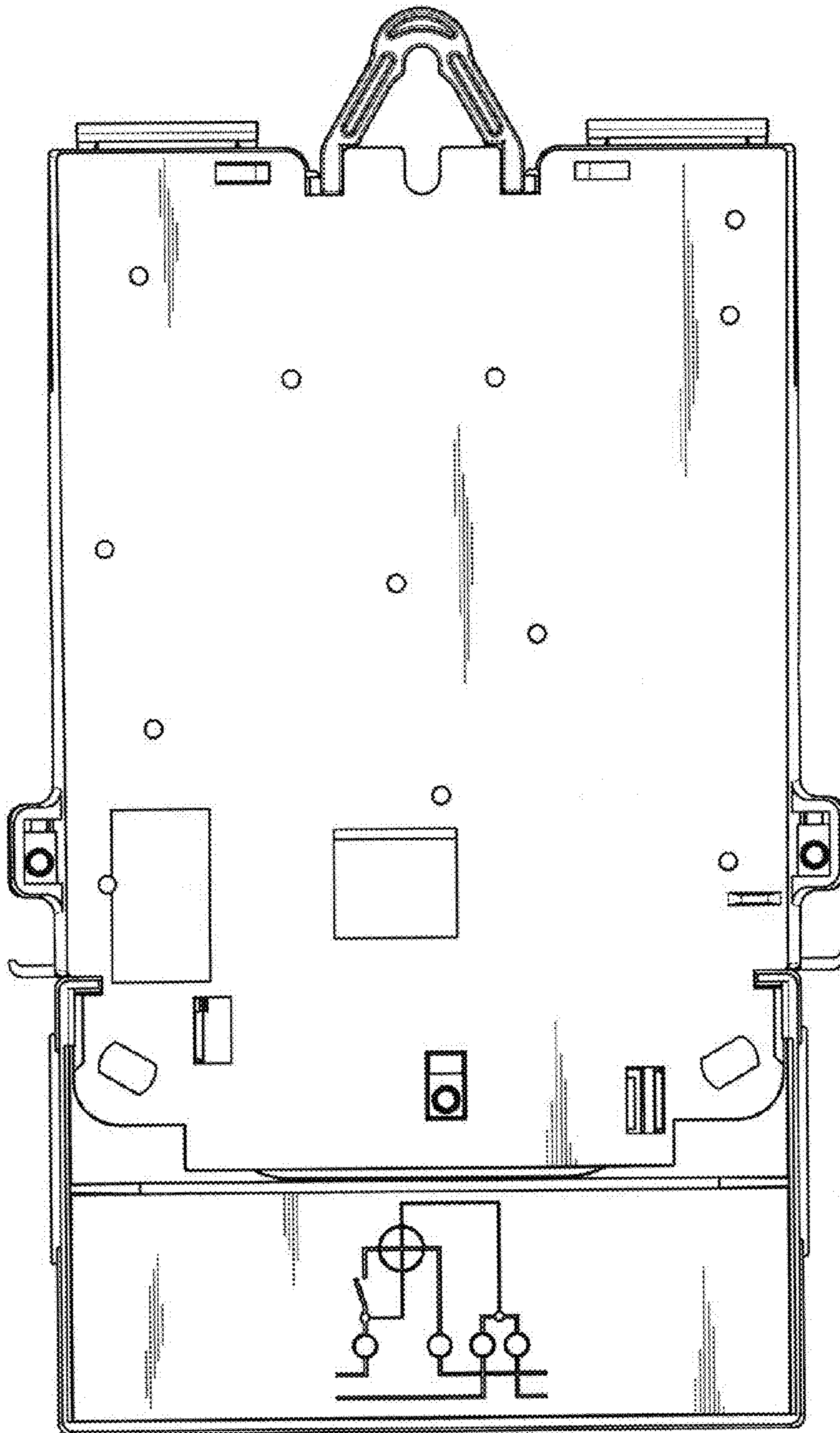


FIG. 3

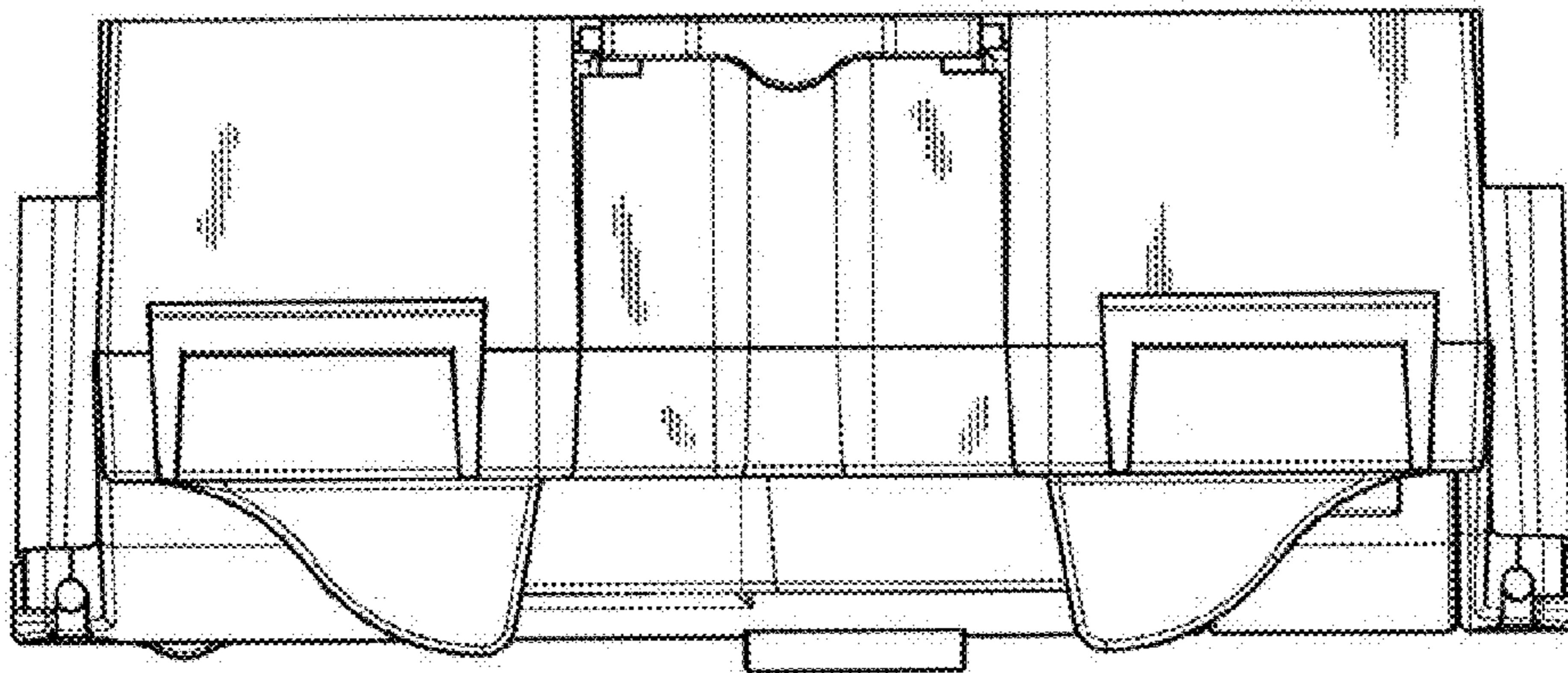


FIG. 4

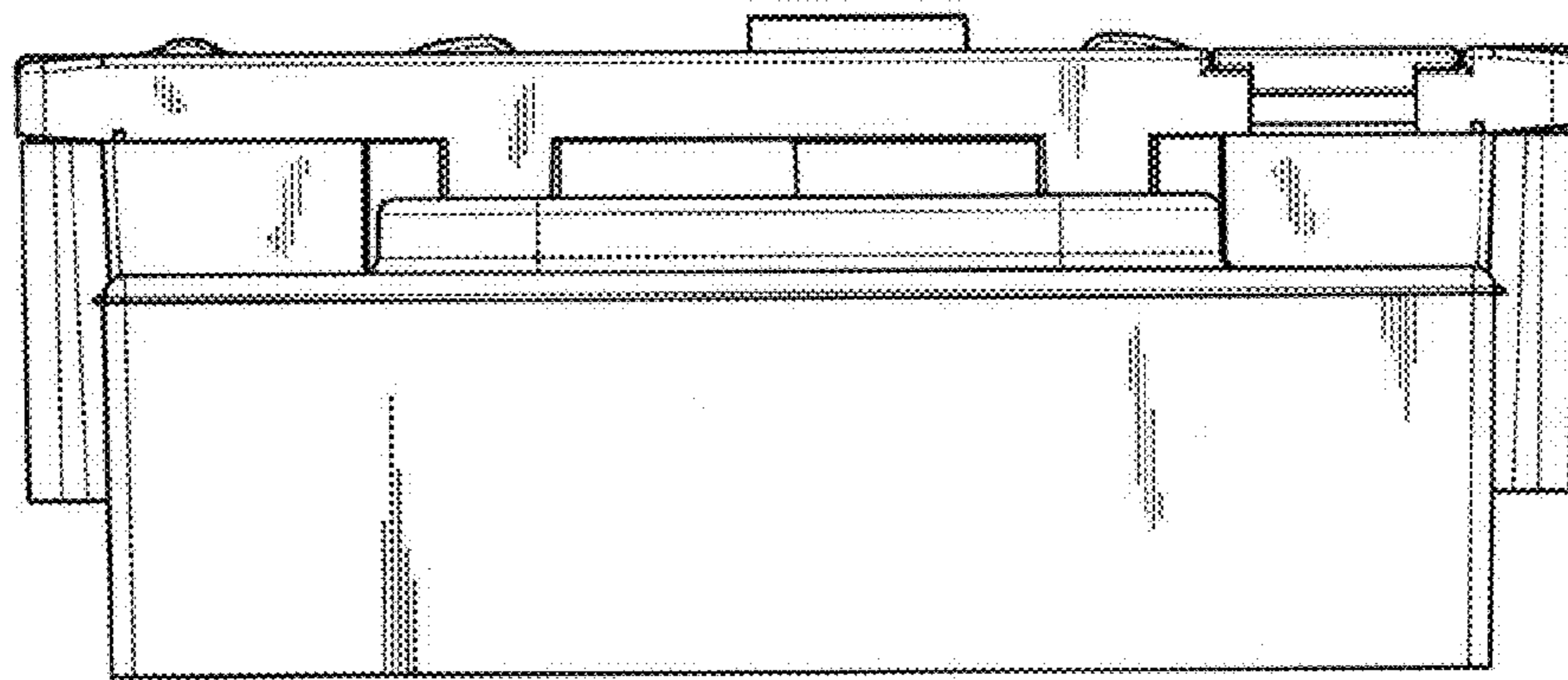


FIG. 5

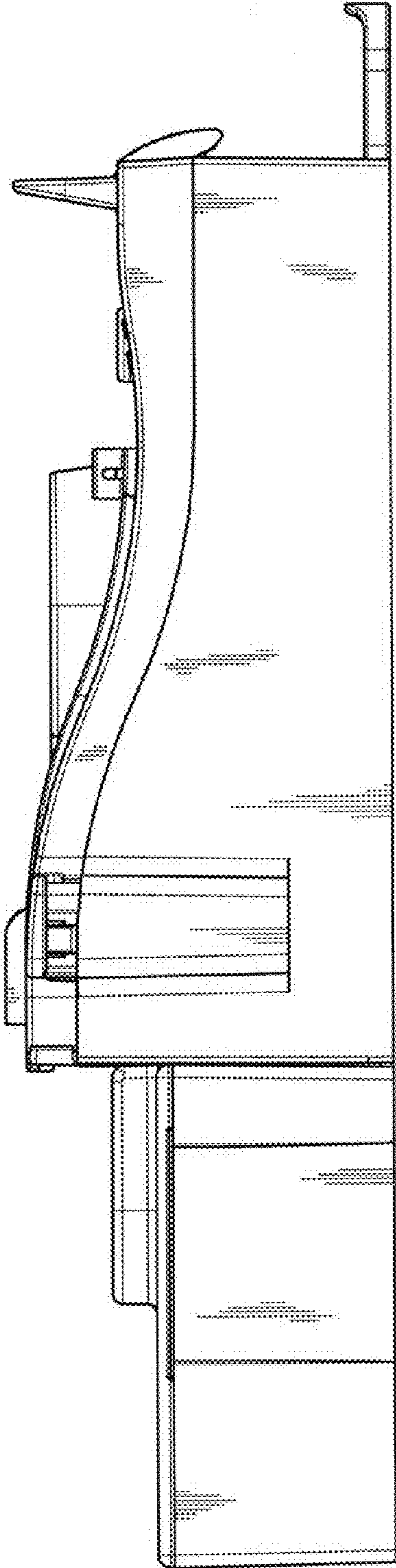


FIG. 6

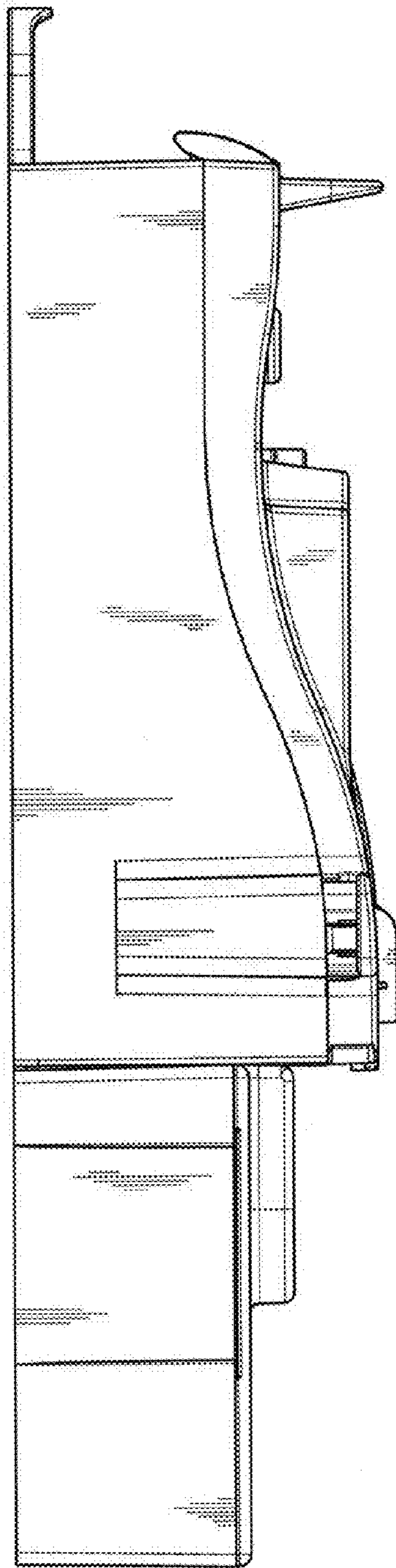


FIG. 7

