



US00D633401S

(12) **United States Design Patent**
Cavanaugh et al.

(10) **Patent No.:** **US D633,401 S**
(45) **Date of Patent:** **** Mar. 1, 2011**

(54) **DIGITAL FUEL METER**

(75) Inventors: **Craig Cavanaugh**, Ossian, IN (US);
Jeanice Ann Croy, Fort Wayne, IN
(US); **Julie Ann Southwood**, Leo, IN
(US)

(73) Assignee: **Tuthill Transfer Systems, Fill-Rite
Corporation**, Fort Wayne, IN (US)

(**) Term: **14 Years**

(21) Appl. No.: **29/356,811**

(22) Filed: **Mar. 3, 2010**

(51) **LOC (9) Cl.** **10-04**

(52) **U.S. Cl.** **D10/96**

(58) **Field of Classification Search** D10/96;
73/861.77, 861.79, 861.89, 861.91, 861.92;
340/438, 425.5, 461, 462; 356/436; 417/321
See application file for complete search history.

(56) **References Cited**

U.S. PATENT DOCUMENTS

4,393,724	A *	7/1983	Werkmann et al.	73/861.91
5,251,149	A *	10/1993	Williams et al.	73/861.77
5,902,938	A *	5/1999	Beaudoin et al.	73/861.77
6,345,541	B1 *	2/2002	Hendey	73/861.79
D556,616	S *	12/2007	Preston et al.	D10/96
D562,168	S *	2/2008	Johnson et al.	D10/96
D575,652	S *	8/2008	Varini	D10/96
2010/0176938	A1 *	7/2010	Maruyama et al.	340/438

* cited by examiner

Primary Examiner—Antoine D Davis

(74) *Attorney, Agent, or Firm*—Barnes & Thornburg LLP

(57) **CLAIM**

The ornamental design of a digital fuel meter, as shown and described.

DESCRIPTION

FIG. 1 is a perspective view of a digital fuel meter;

FIG. 2 is a forward view of the digital fuel meter of FIG. 1;

FIG. 3 is a rear view of the digital fuel meter of FIG. 2;

FIG. 4 is a bottom view of the digital fuel meter of FIG. 2;

FIG. 5 is a top view of the digital fuel meter of FIG. 2;

FIG. 6 is a left-hand side view of the digital fuel meter of FIG. 2;

FIG. 7 is a right-hand side view of the digital fuel meter of FIG. 2;

FIG. 8 is a forward view of another embodiment of a digital fuel meter;

FIG. 9 is a rear view of the digital fuel meter of FIG. 8;

FIG. 10 is a bottom view of the digital fuel meter of FIG. 8;

FIG. 11 is a top view of the digital fuel meter of FIG. 8;

FIG. 12 is a left-hand side view of the digital fuel meter of FIG. 8;

FIG. 13 is a right-hand side view of the digital fuel meter of FIG. 8;

FIG. 14 is a forward view of another embodiment of a digital fuel meter;

FIG. 15 is a rear view of the digital fuel meter of FIG. 14;

FIG. 16 is a bottom view of the digital fuel meter of FIG. 14;

FIG. 17 is a top view of the digital fuel meter of FIG. 14;

FIG. 18 is a left-hand side view of the digital fuel meter of FIG. 14;

FIG. 19 is a right-hand side view of the digital fuel meter of FIG. 14;

FIG. 20 is a forward view of another embodiment of a digital fuel meter;

FIG. 21 is a rear view of the digital fuel meter of FIG. 20;

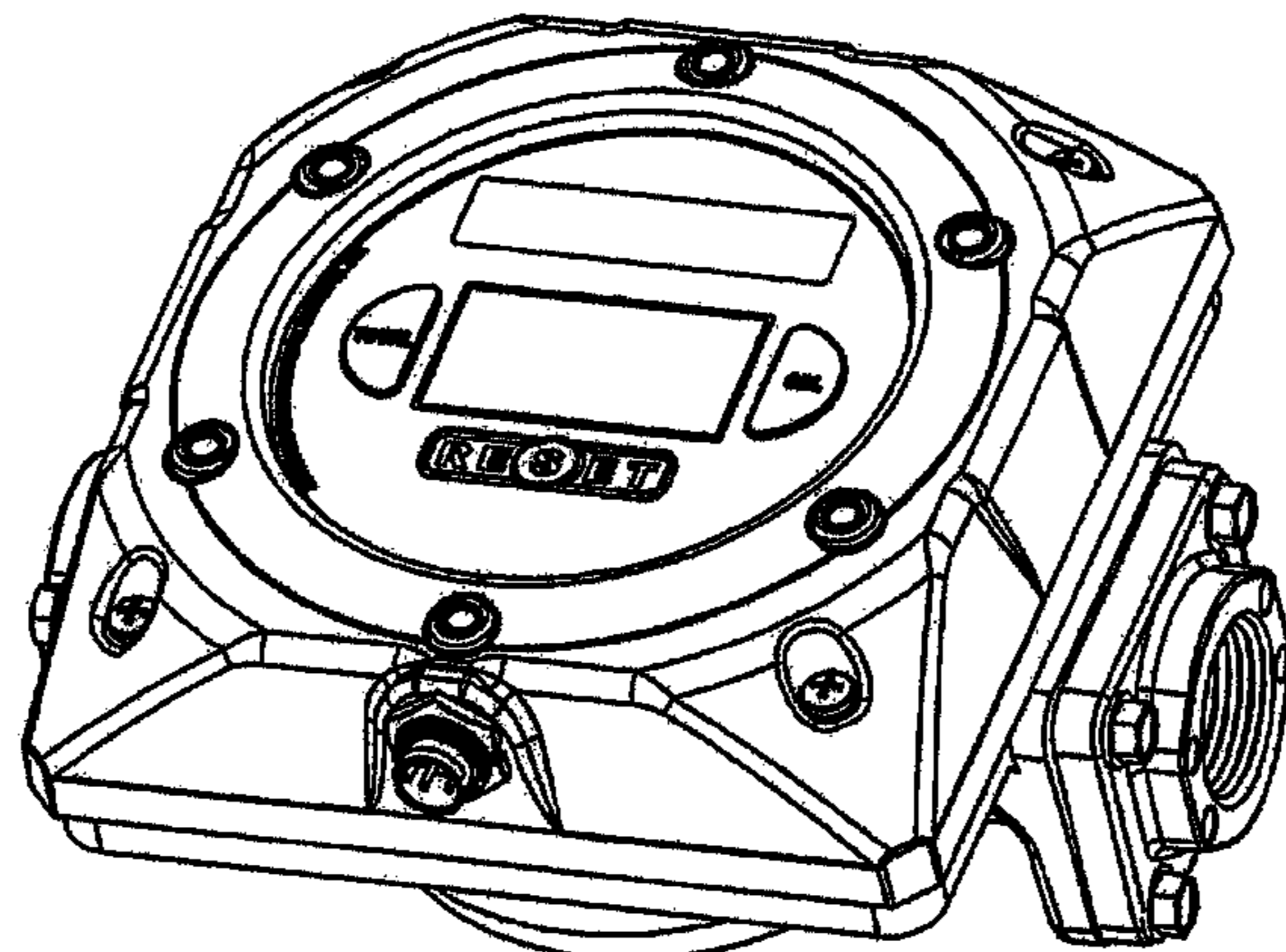
FIG. 22 is a bottom view of the digital fuel meter of FIG. 20;

FIG. 23 is a top view of the digital fuel meter of FIG. 20;

FIG. 24 is a left-hand side view of the digital fuel meter of FIG. 21; and,

FIG. 25 is a right-hand side view of the digital fuel meter of FIG. 21.

1 Claim, 13 Drawing Sheets



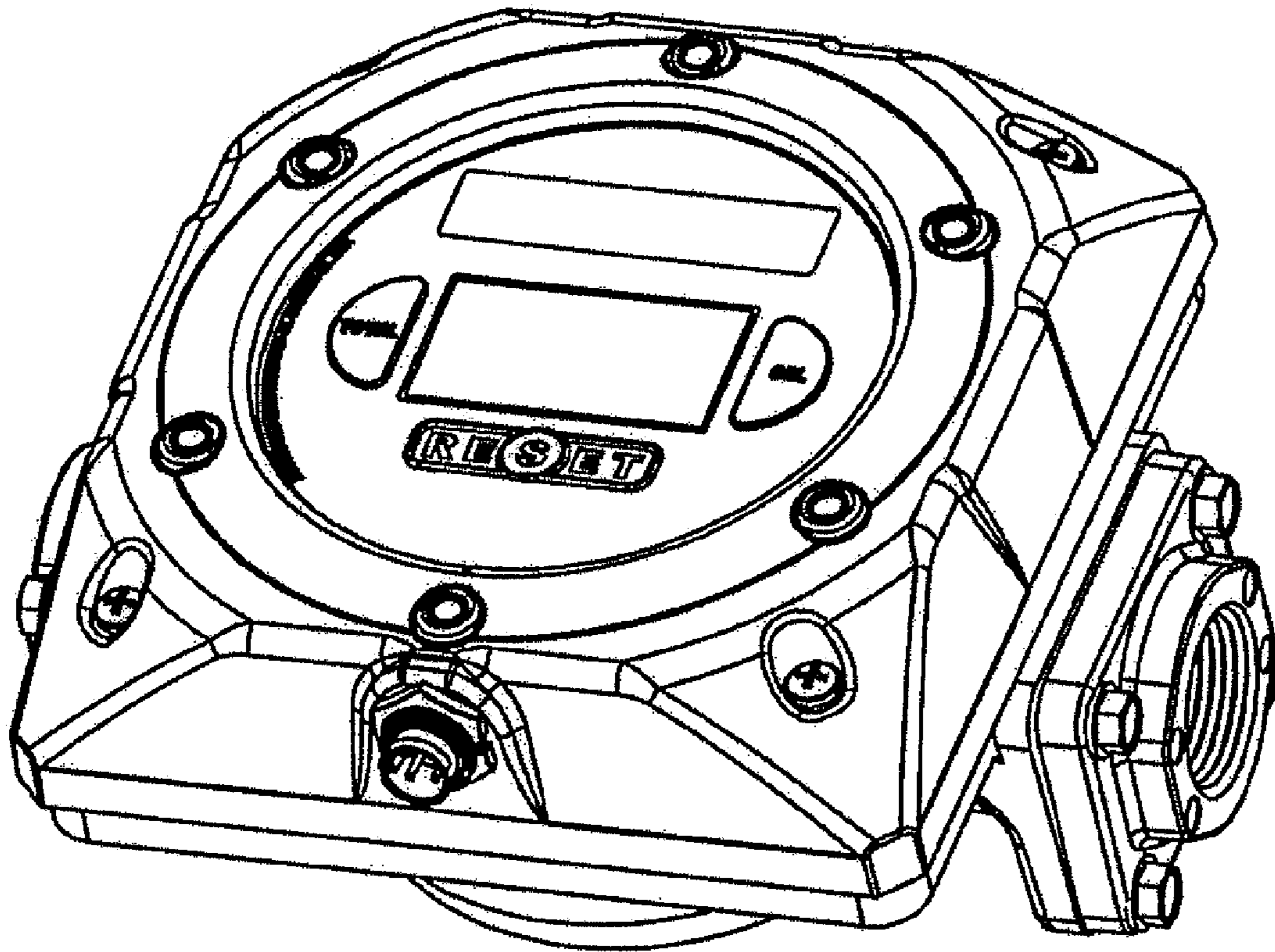


FIG. 1

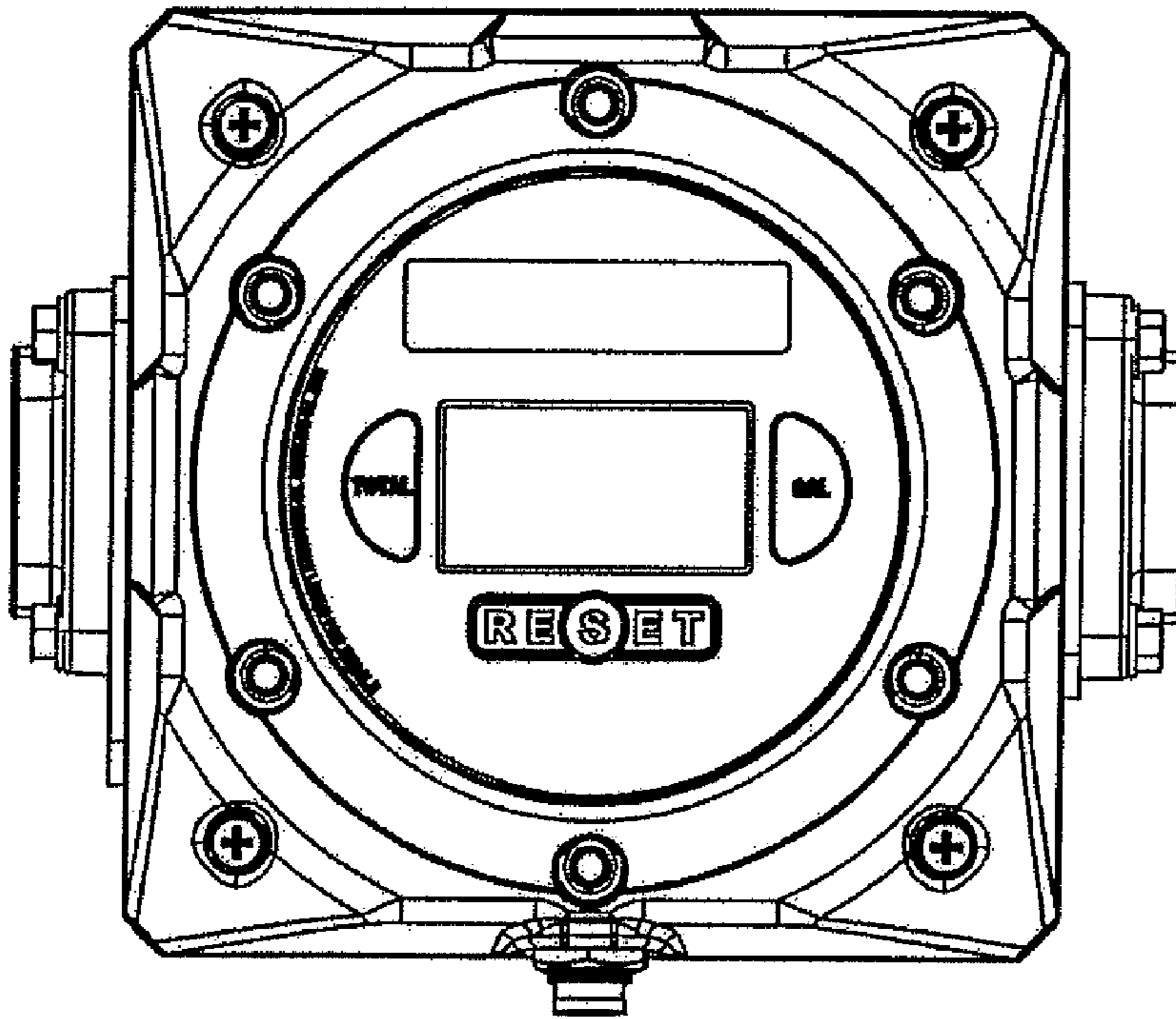


FIG. 2

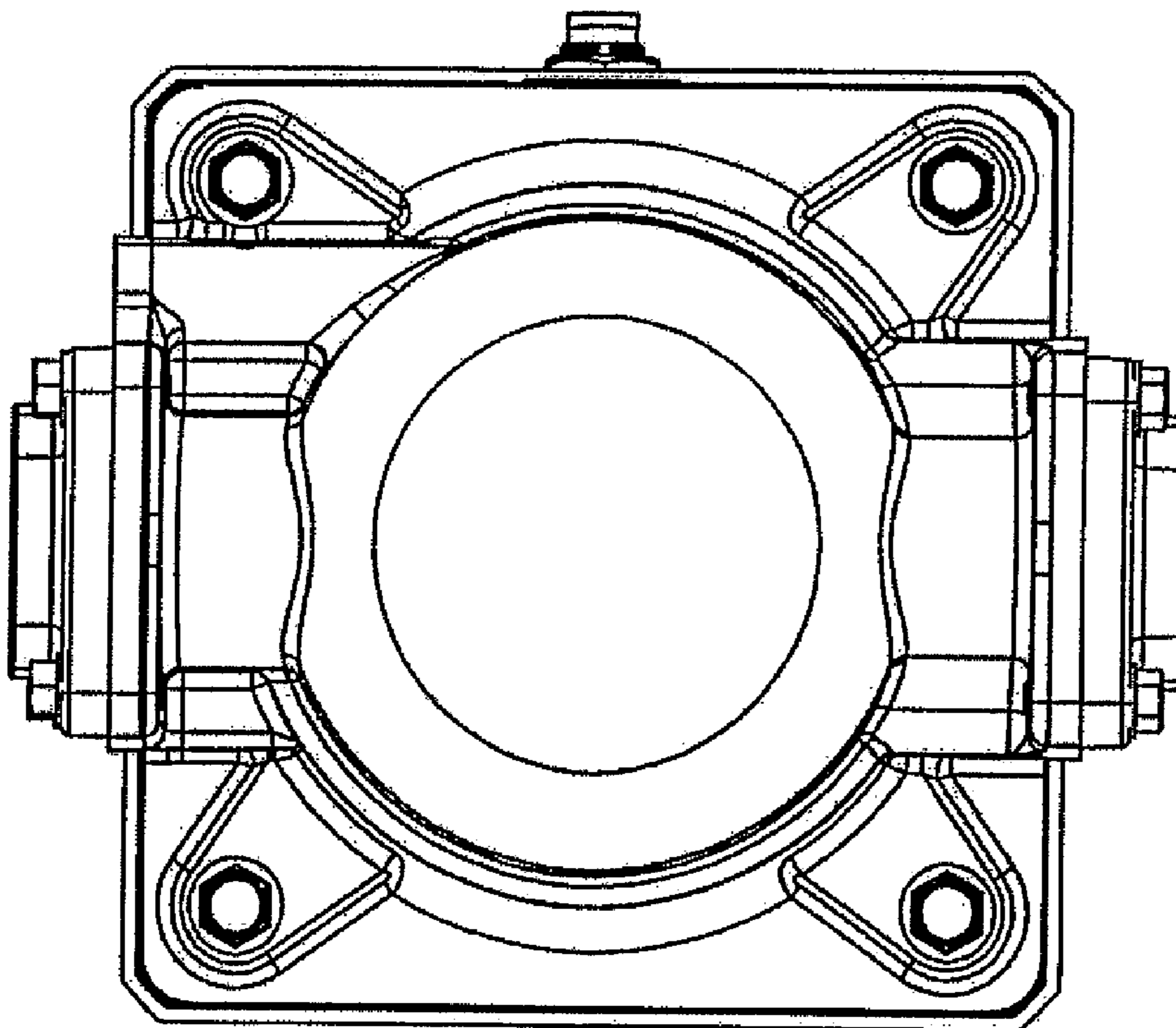


FIG. 3

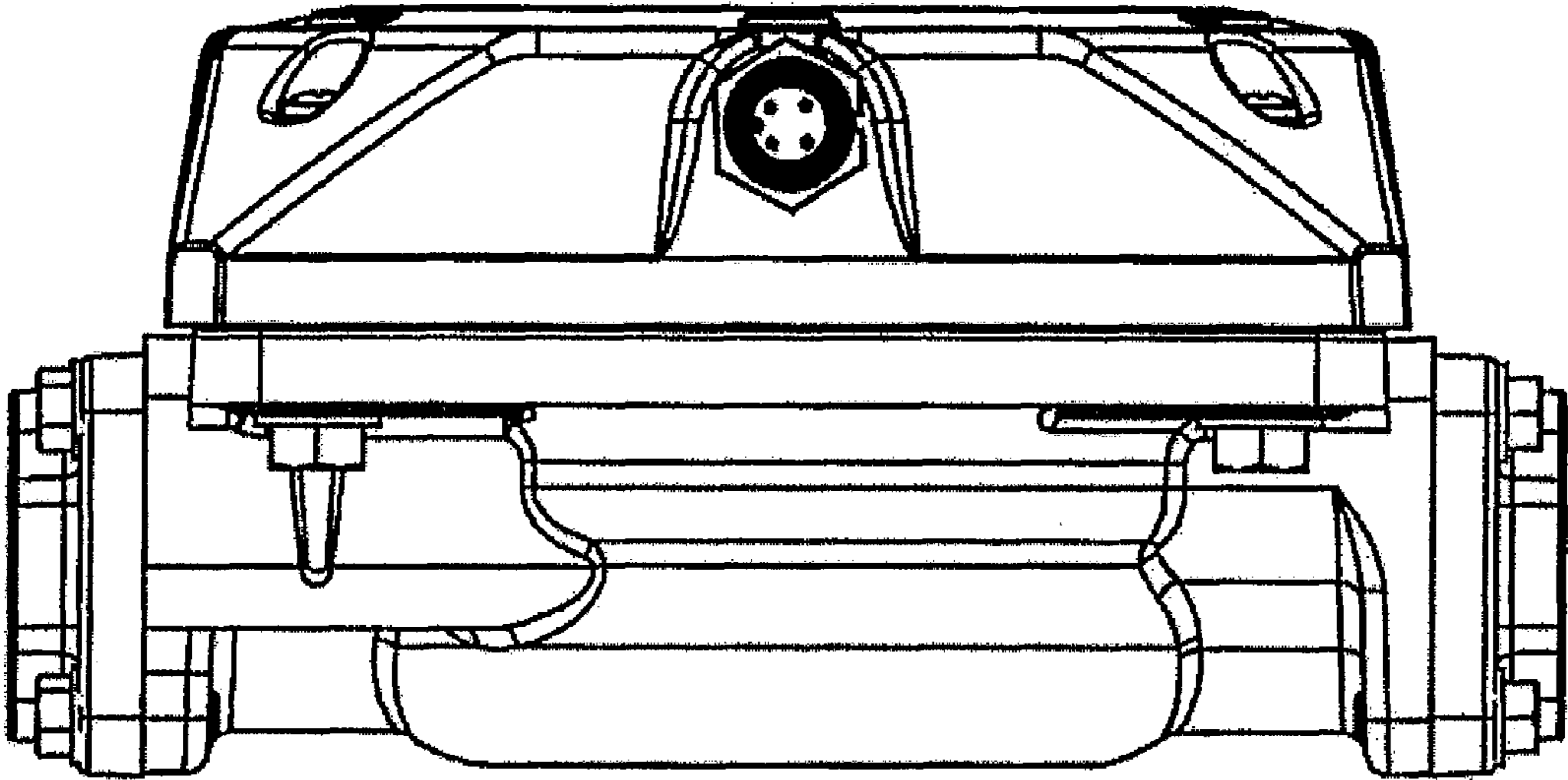


FIG. 4

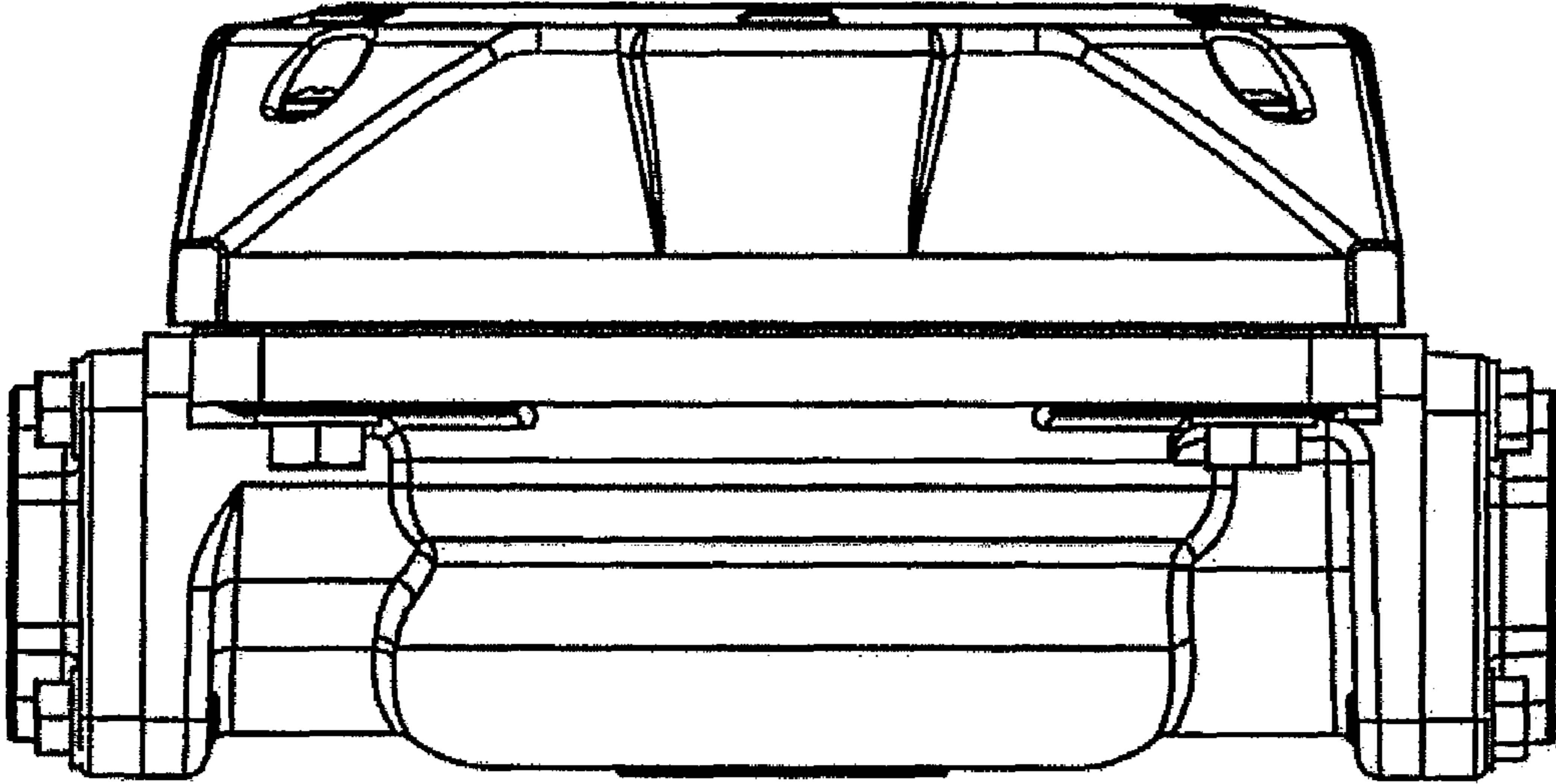


FIG. 5

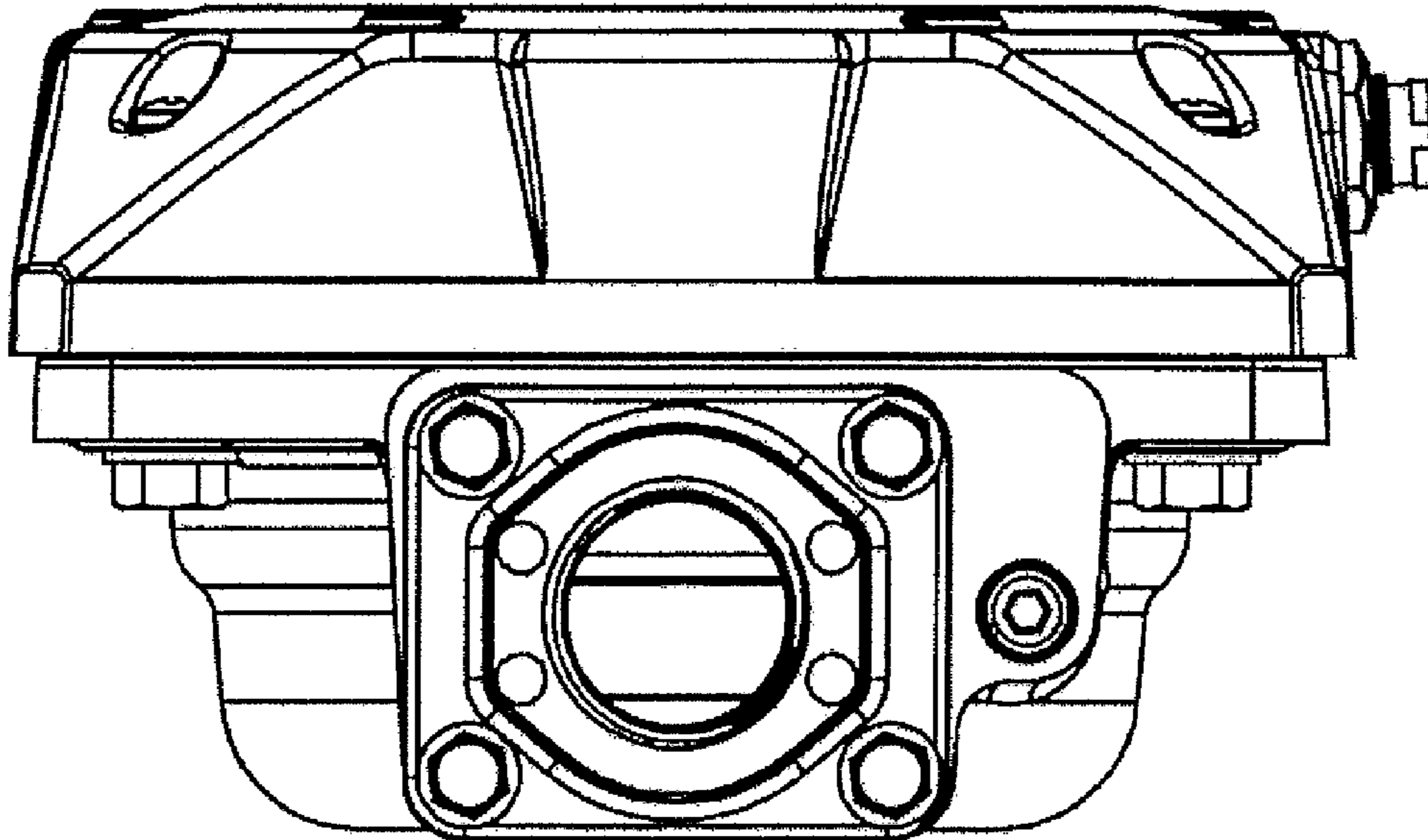


FIG. 6

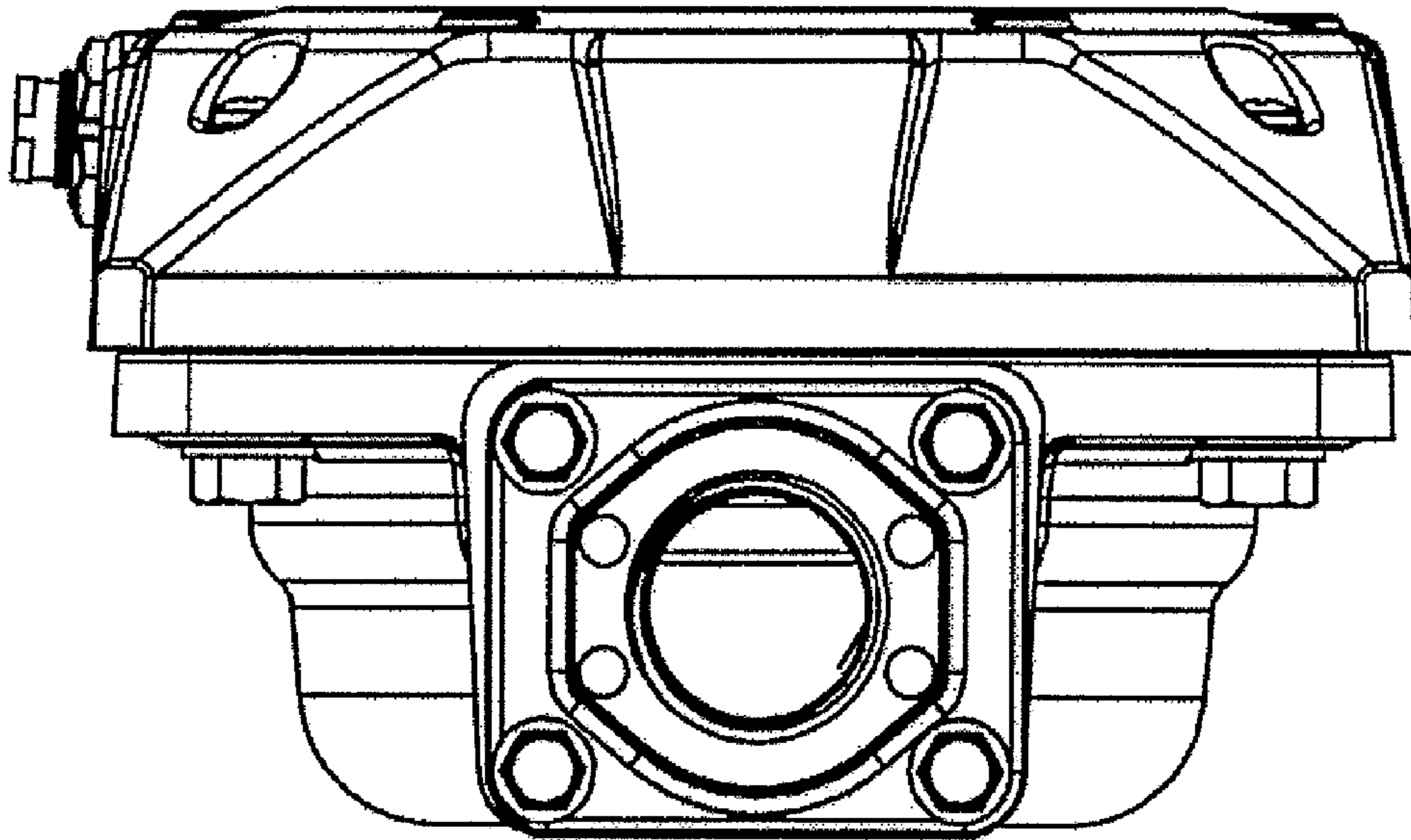


FIG. 7

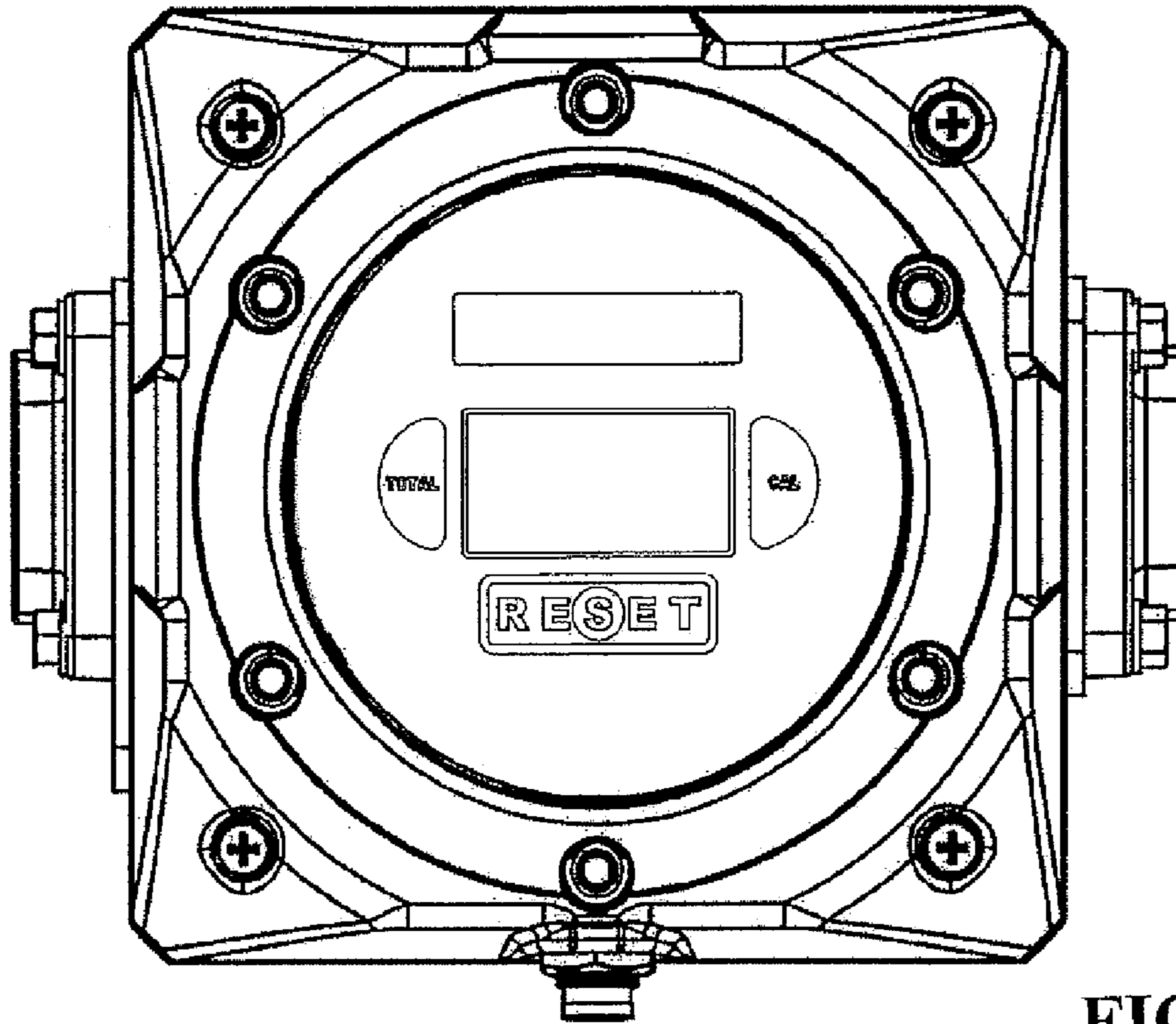


FIG. 8

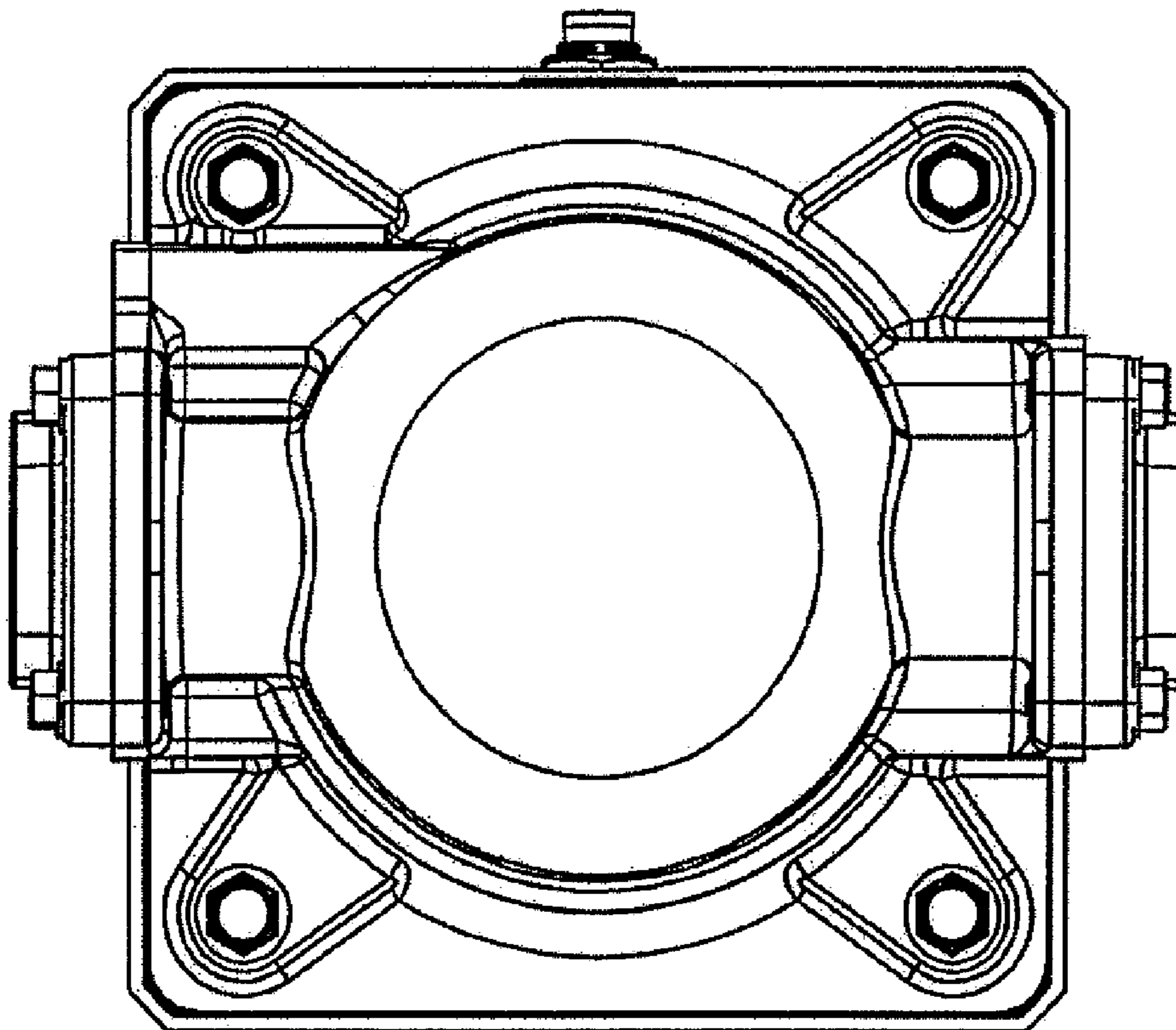


FIG. 9

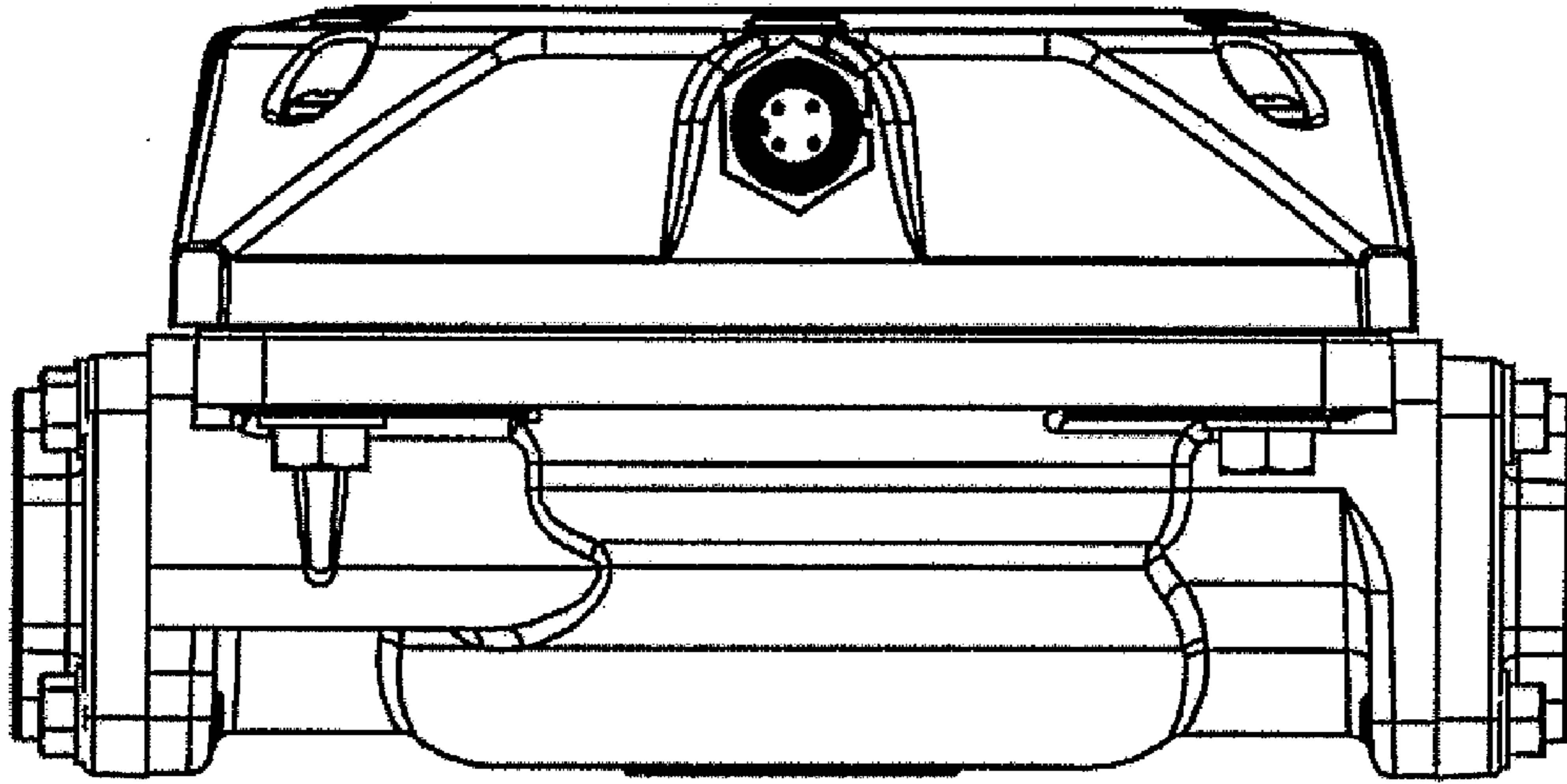


FIG. 10

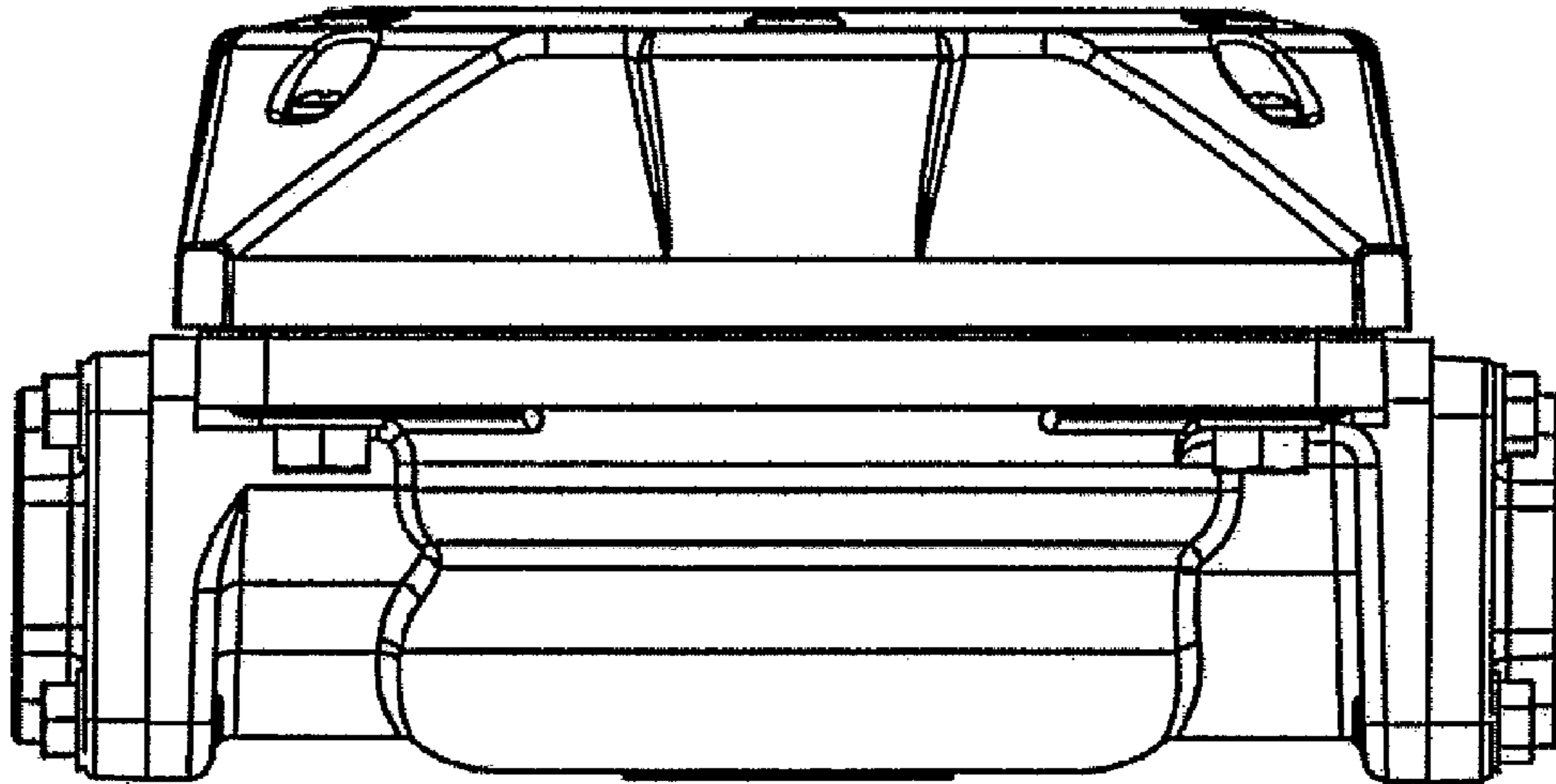


FIG. 11

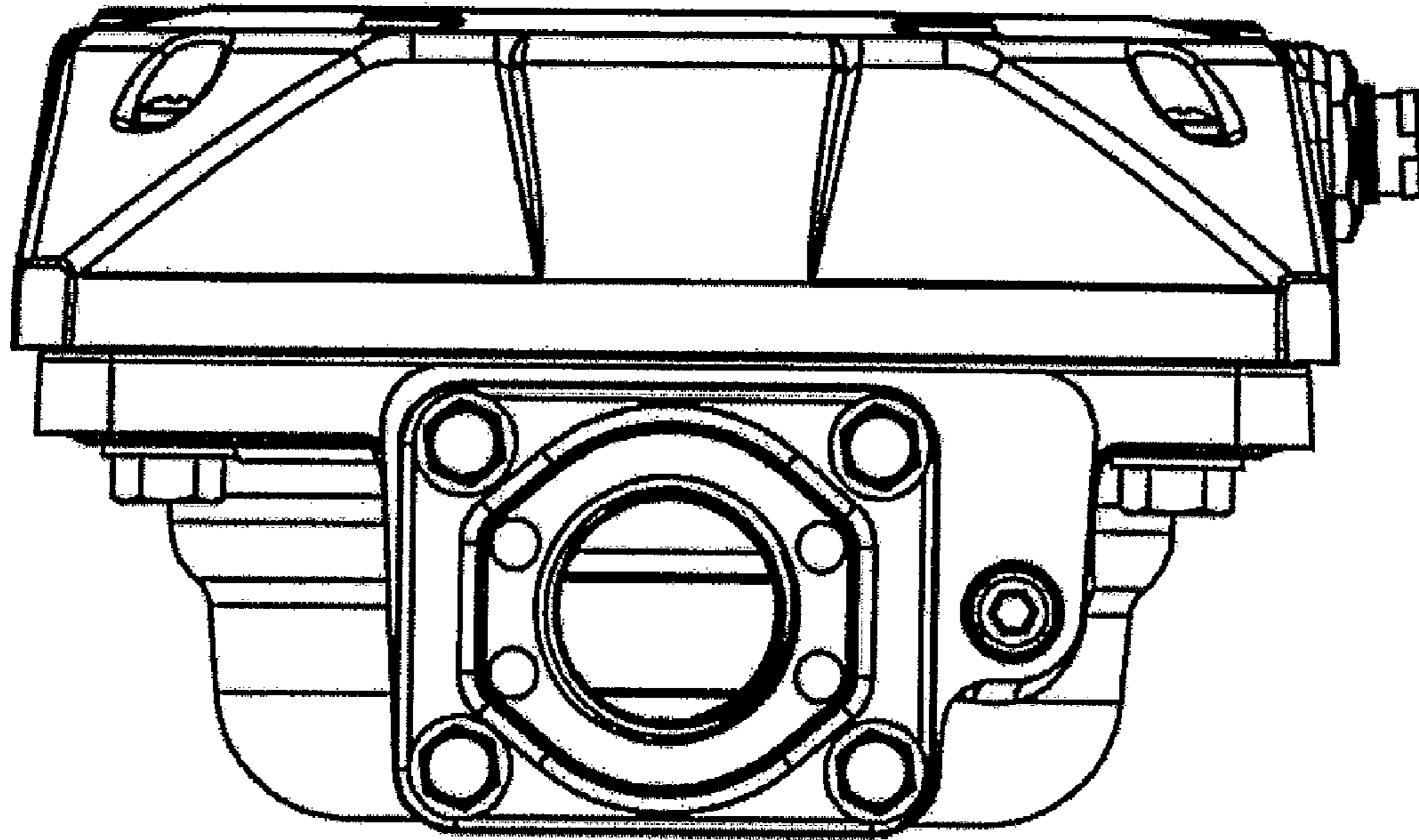


FIG. 12

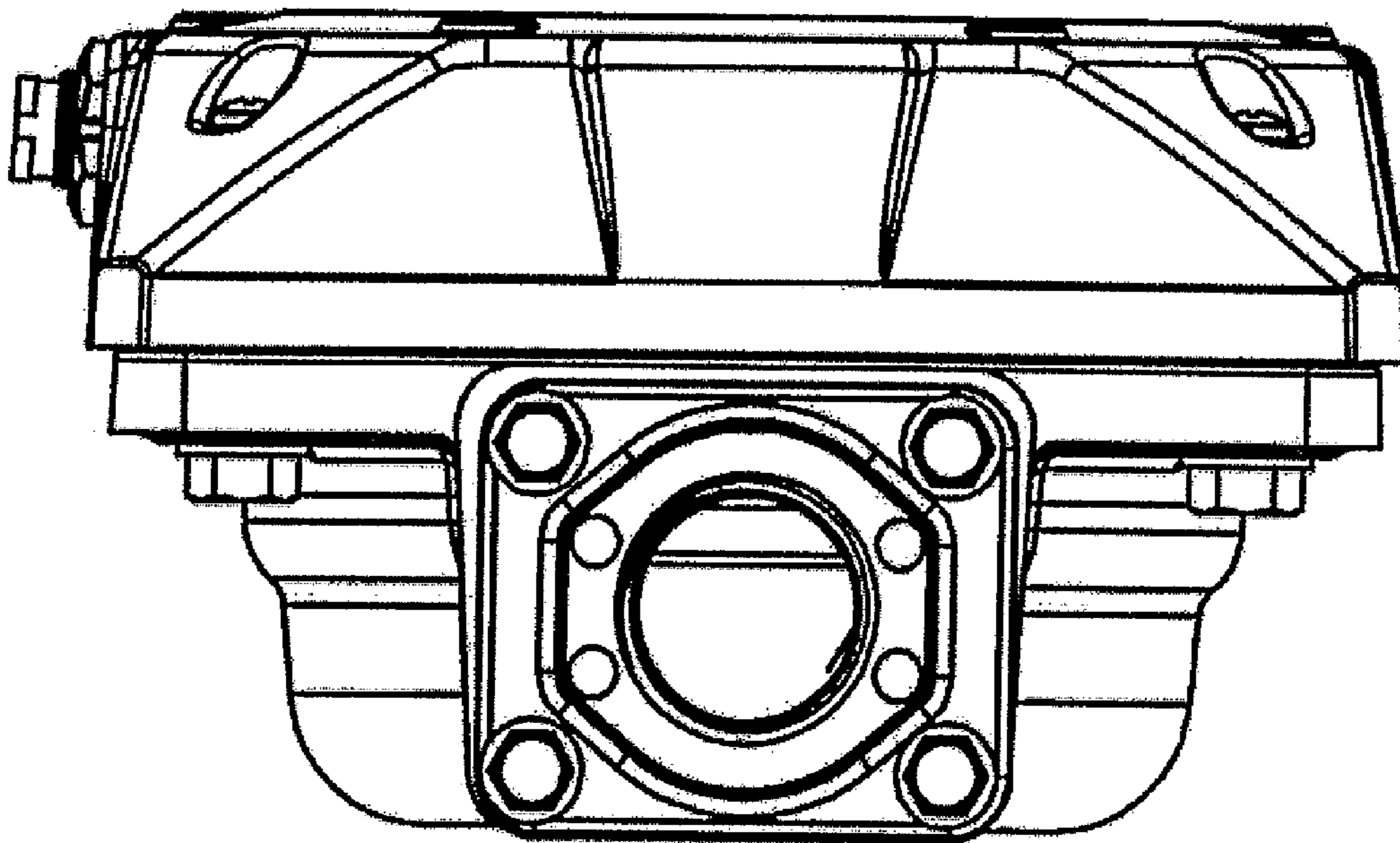


FIG. 13

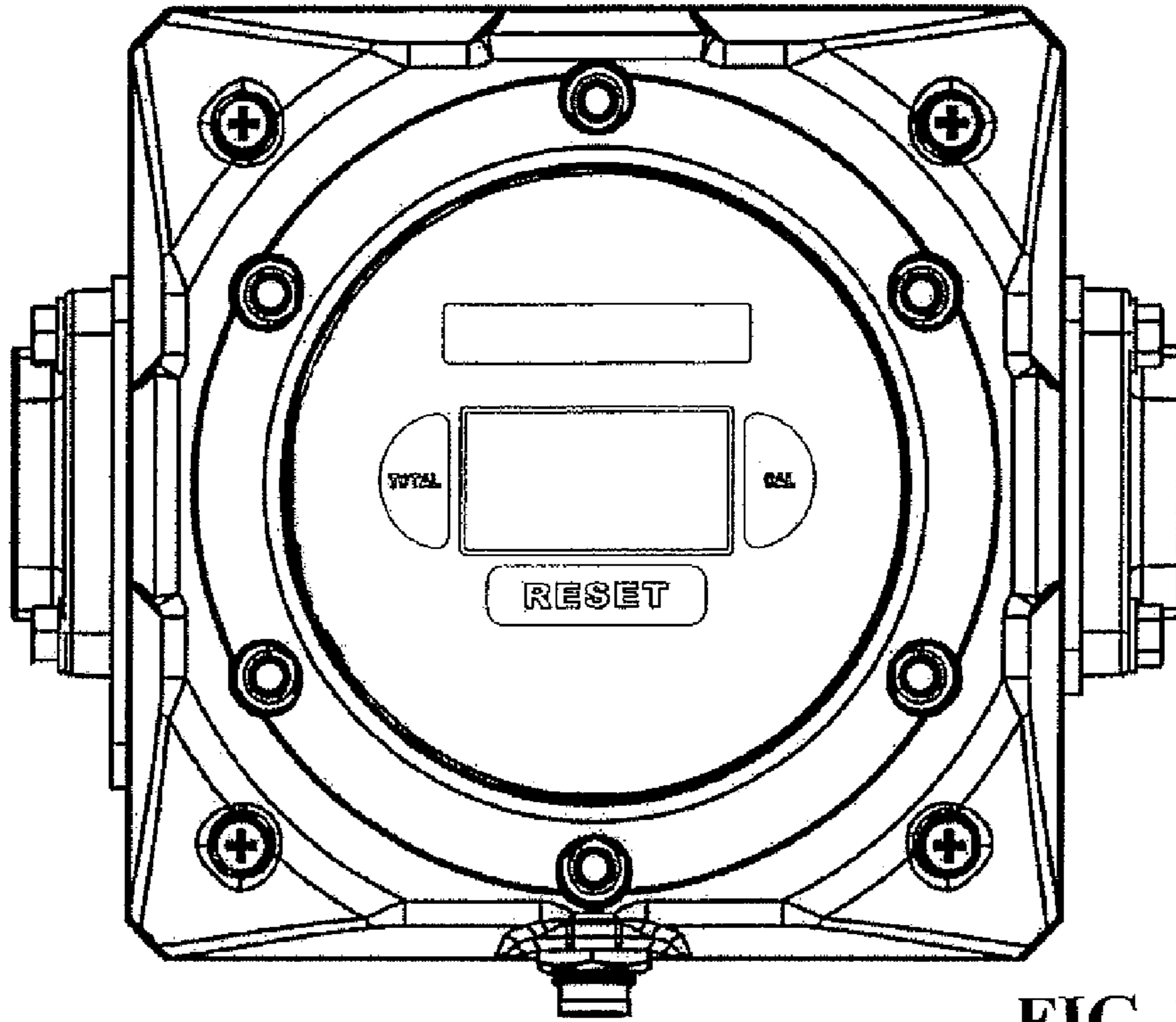


FIG. 14

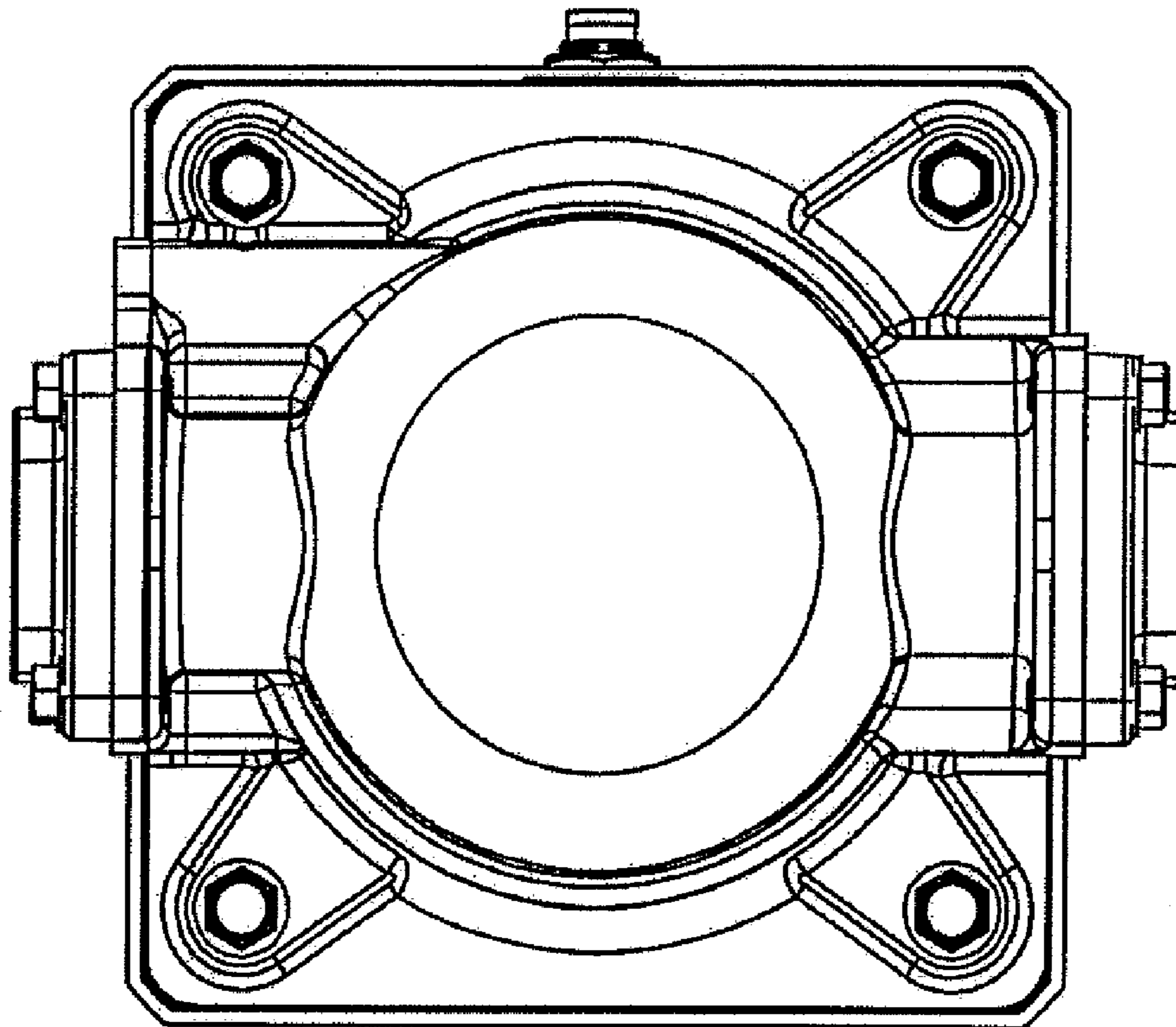


FIG. 15

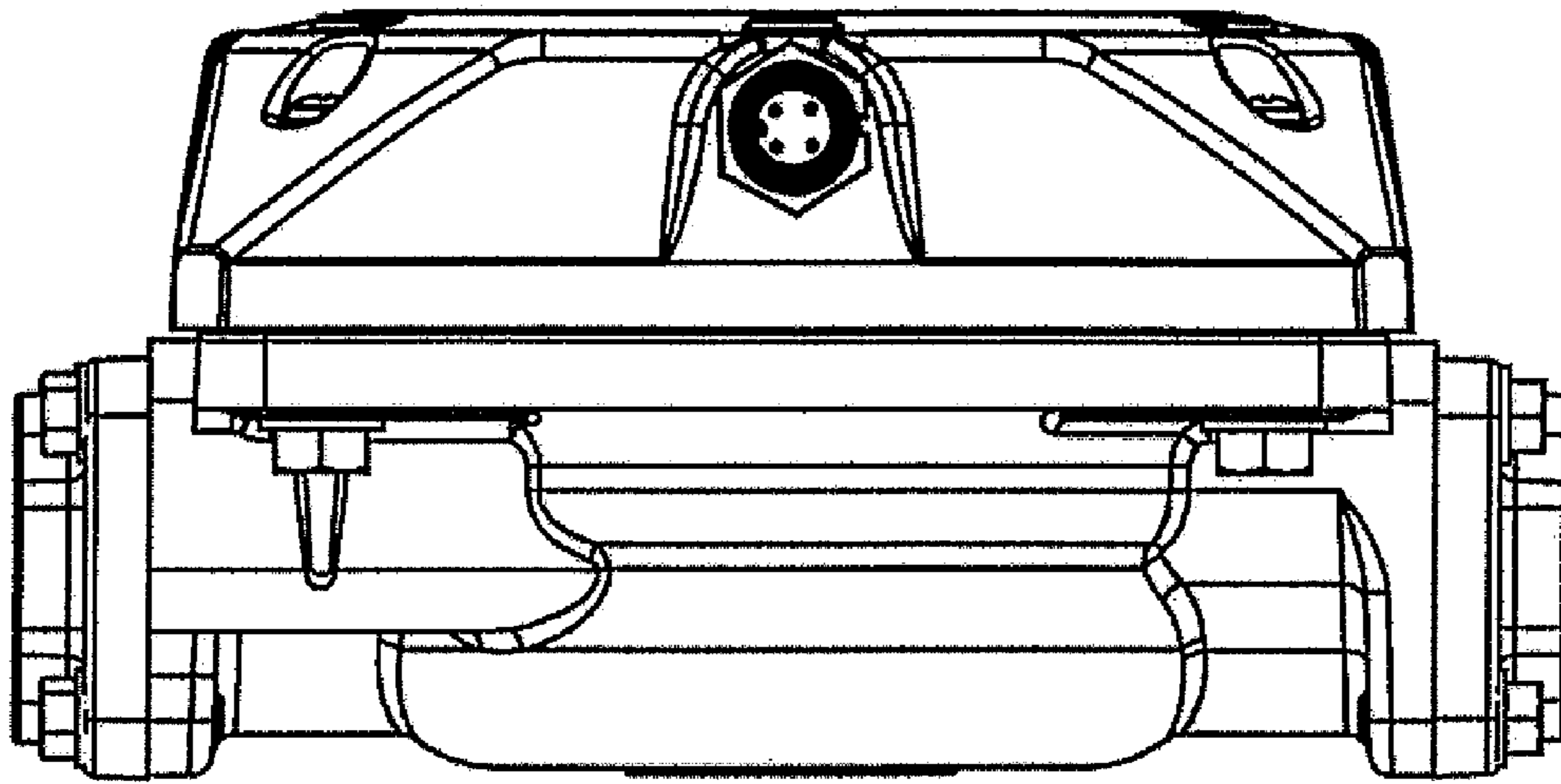


FIG. 16

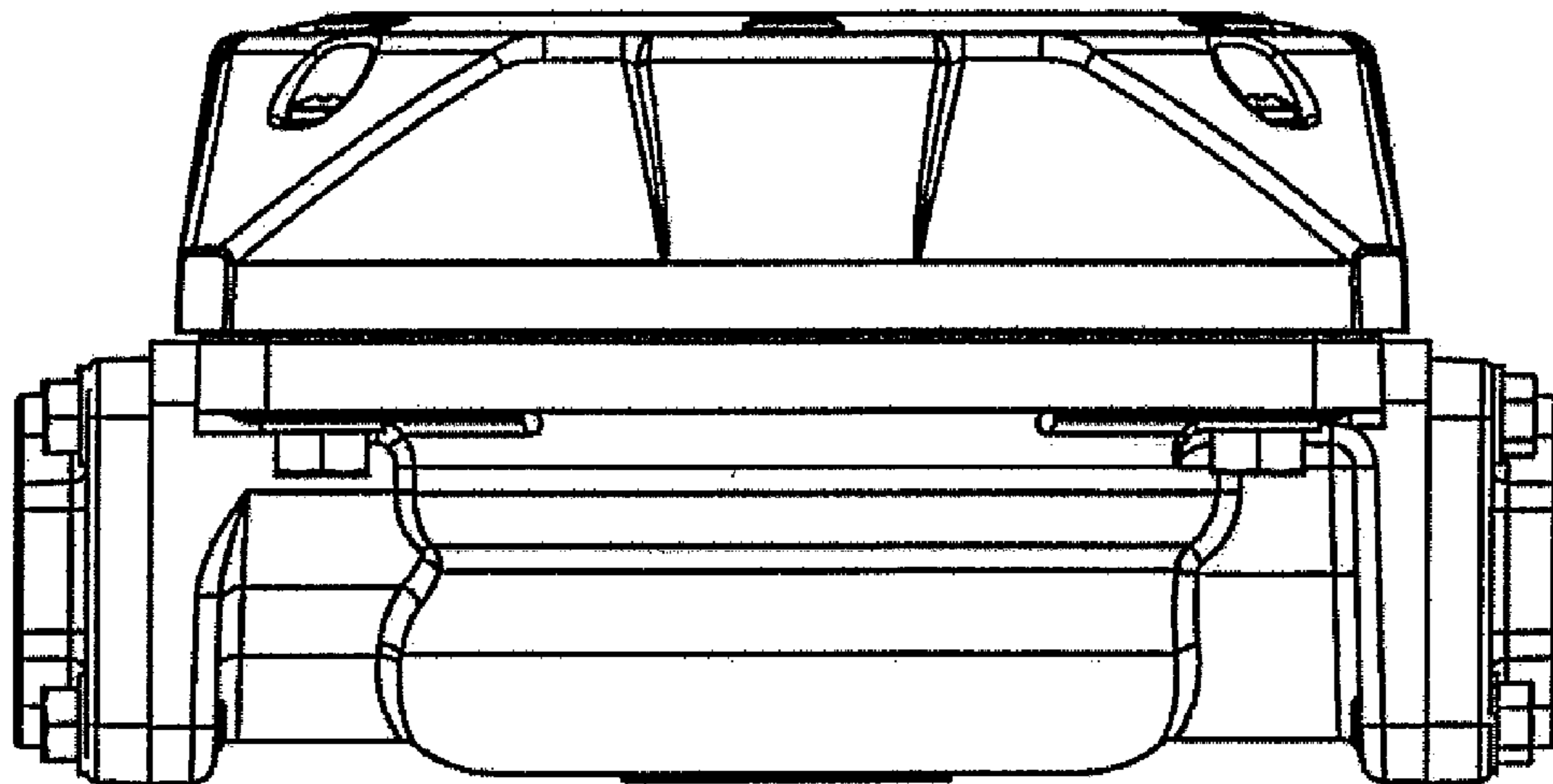


FIG. 17

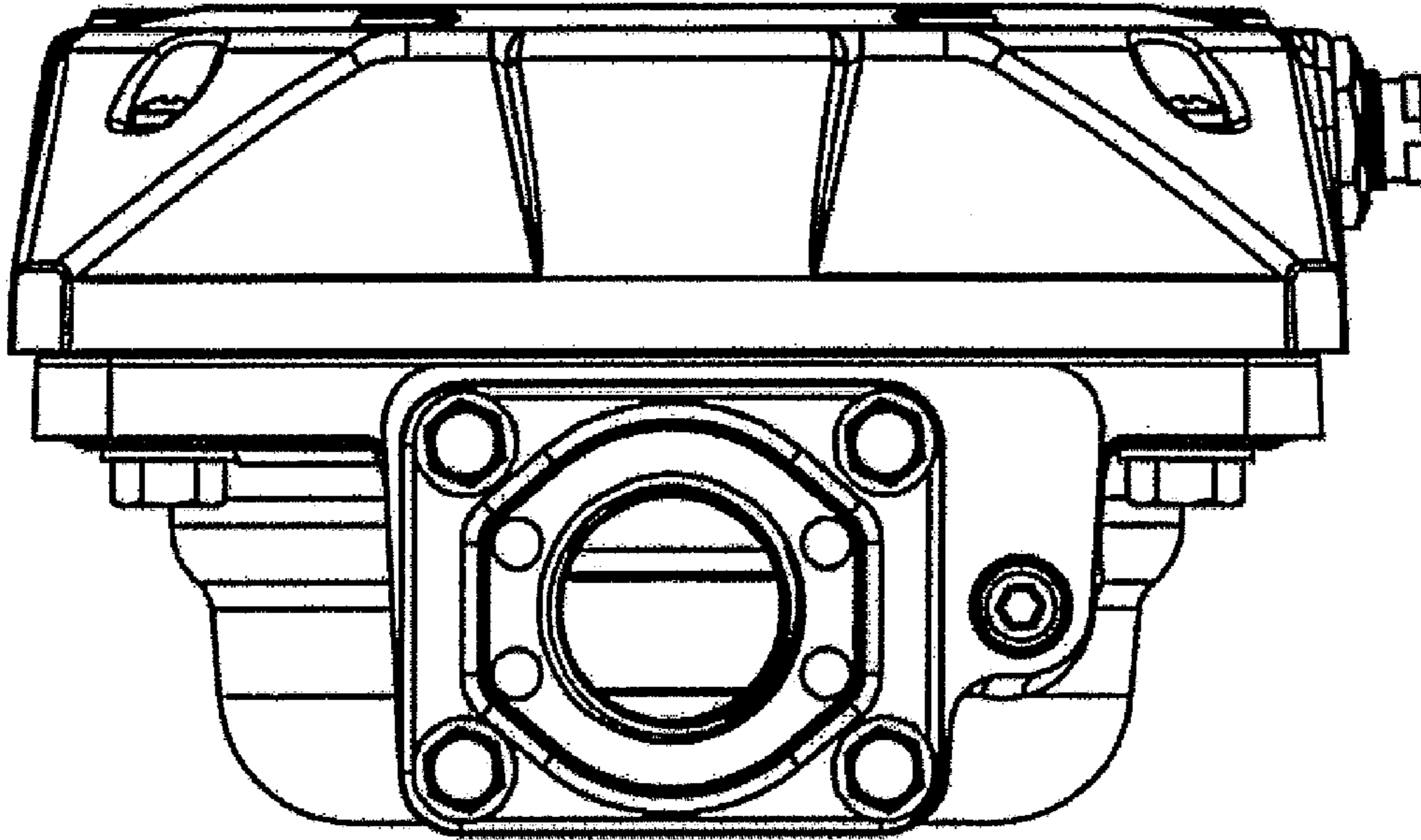


FIG. 18

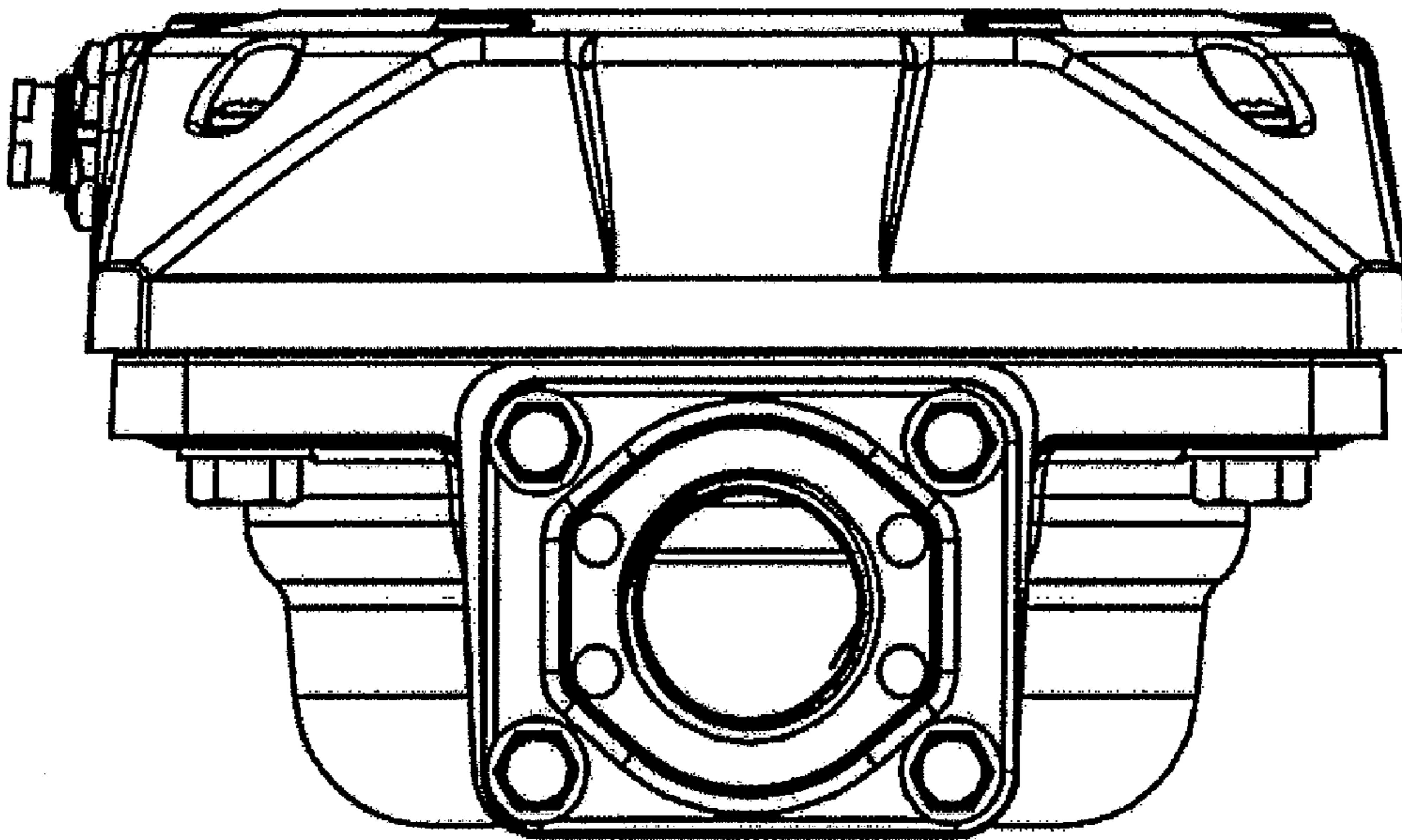


FIG. 19

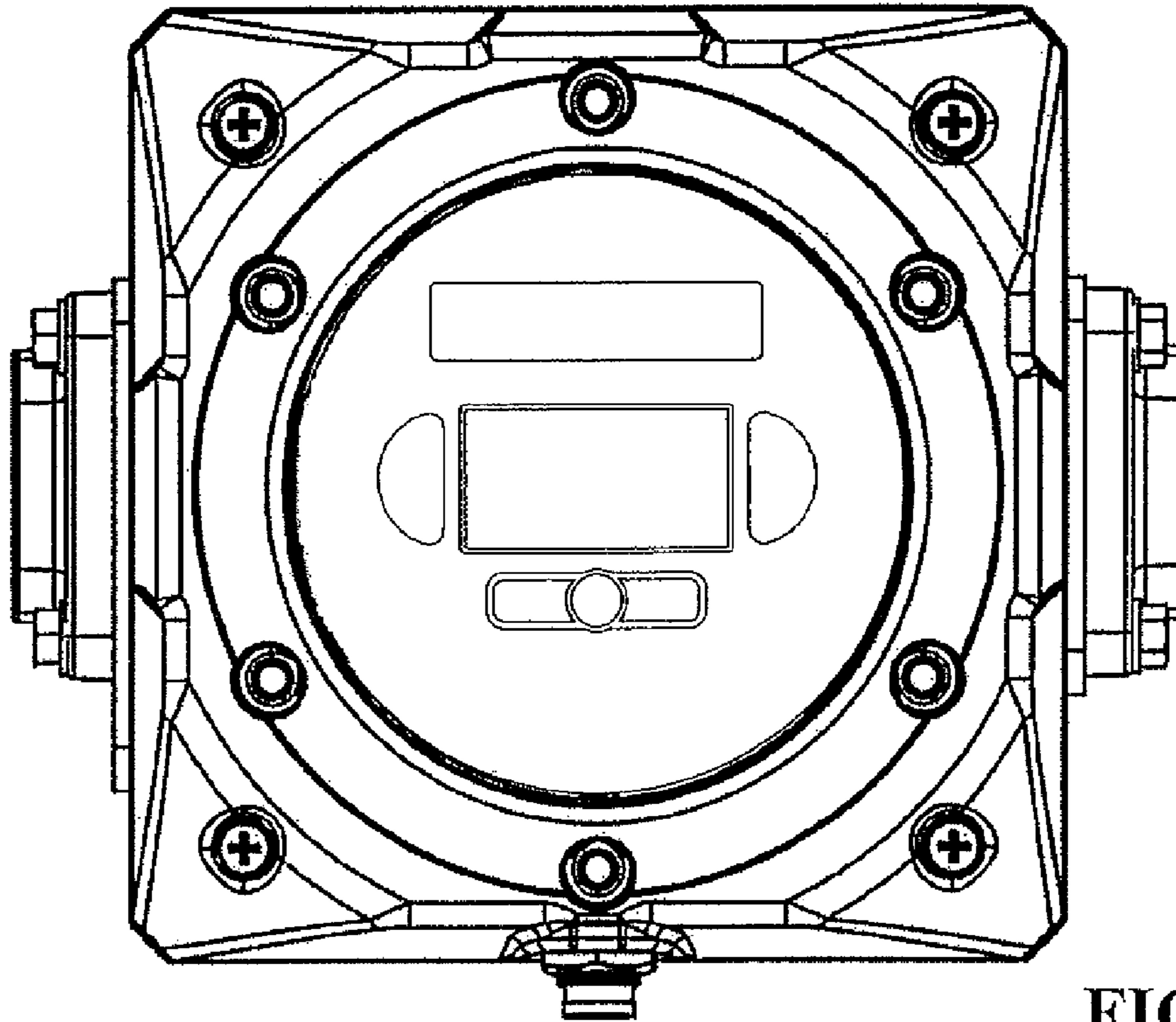


FIG. 20

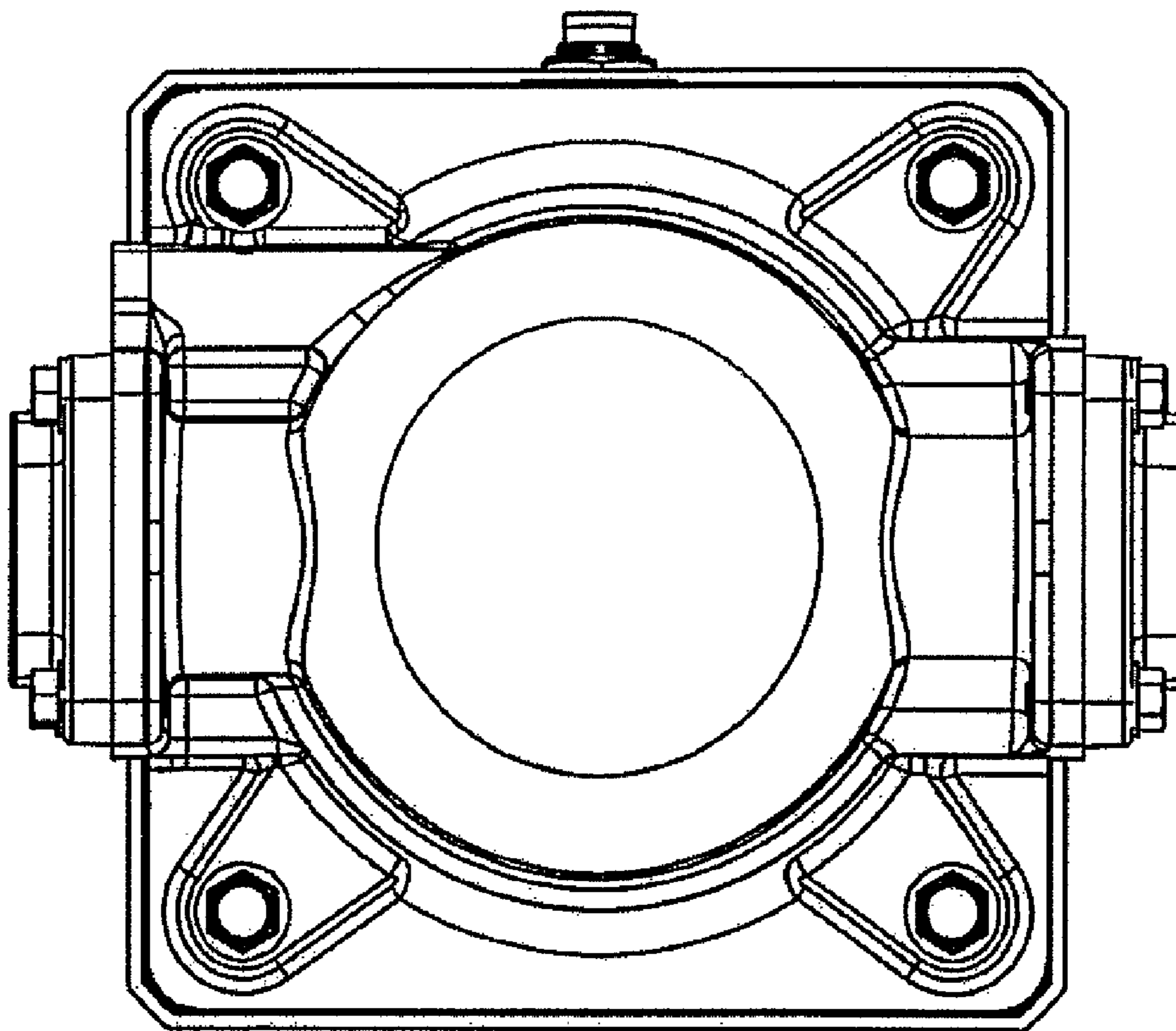


FIG. 21

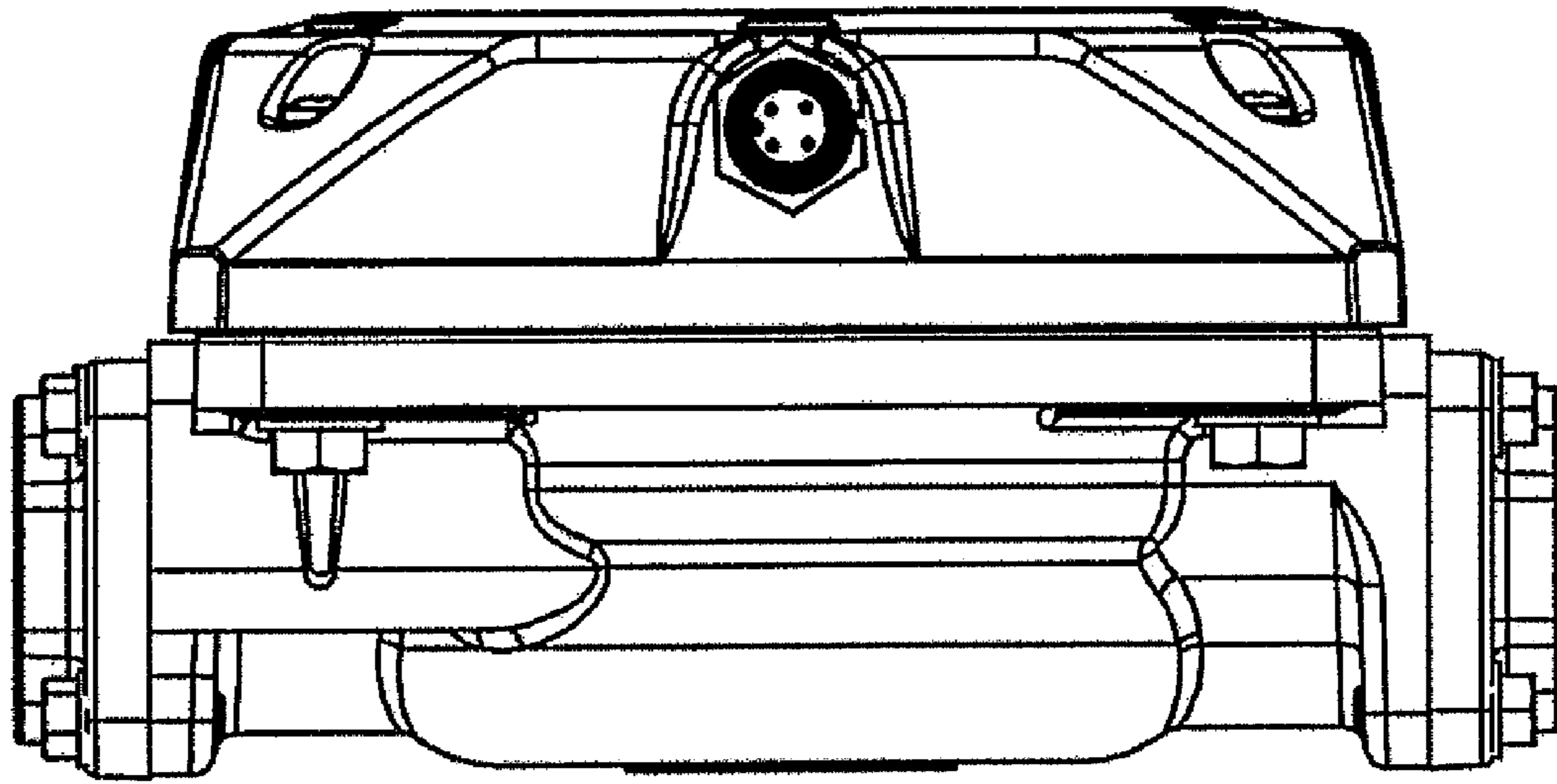


FIG. 22

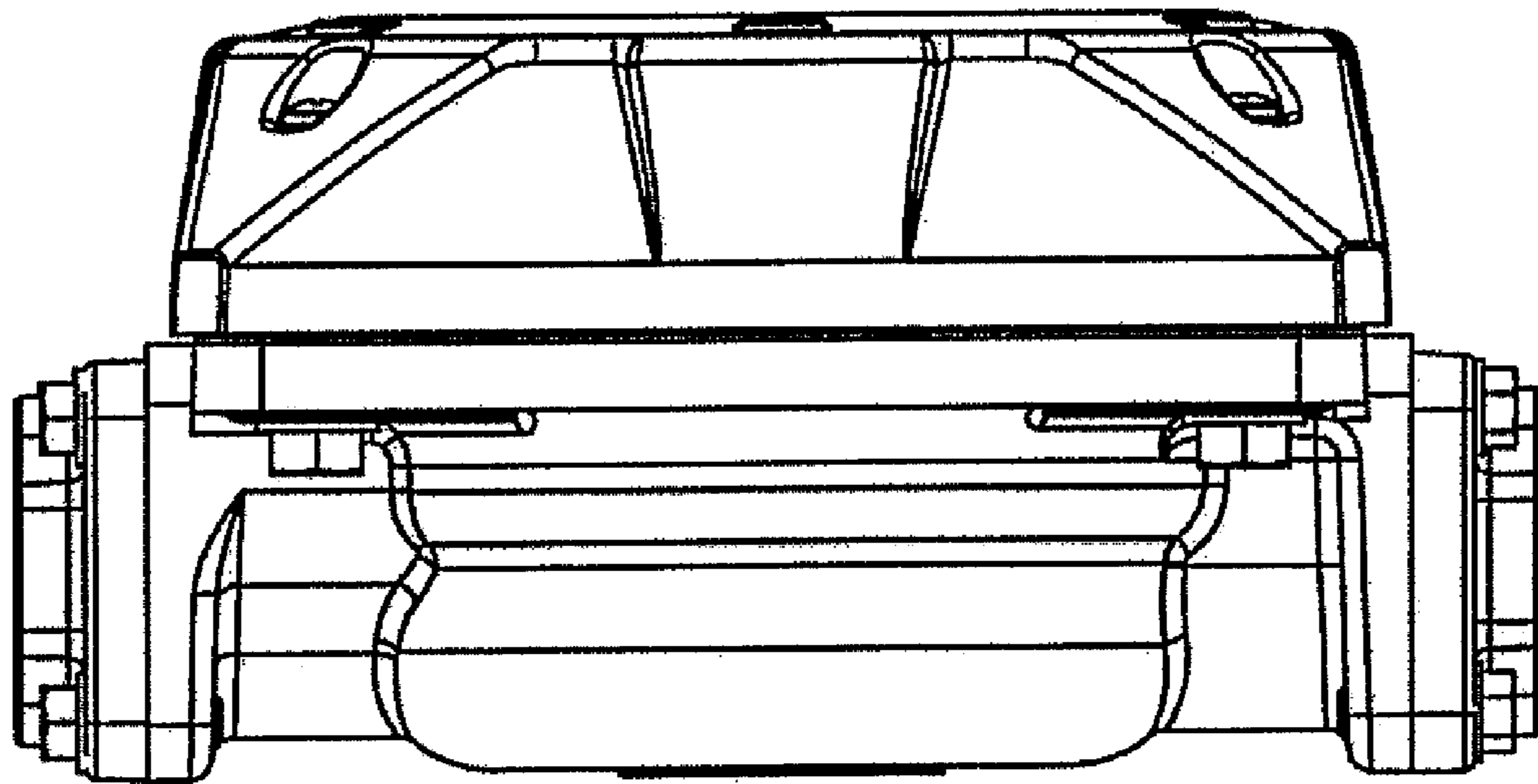


FIG. 23

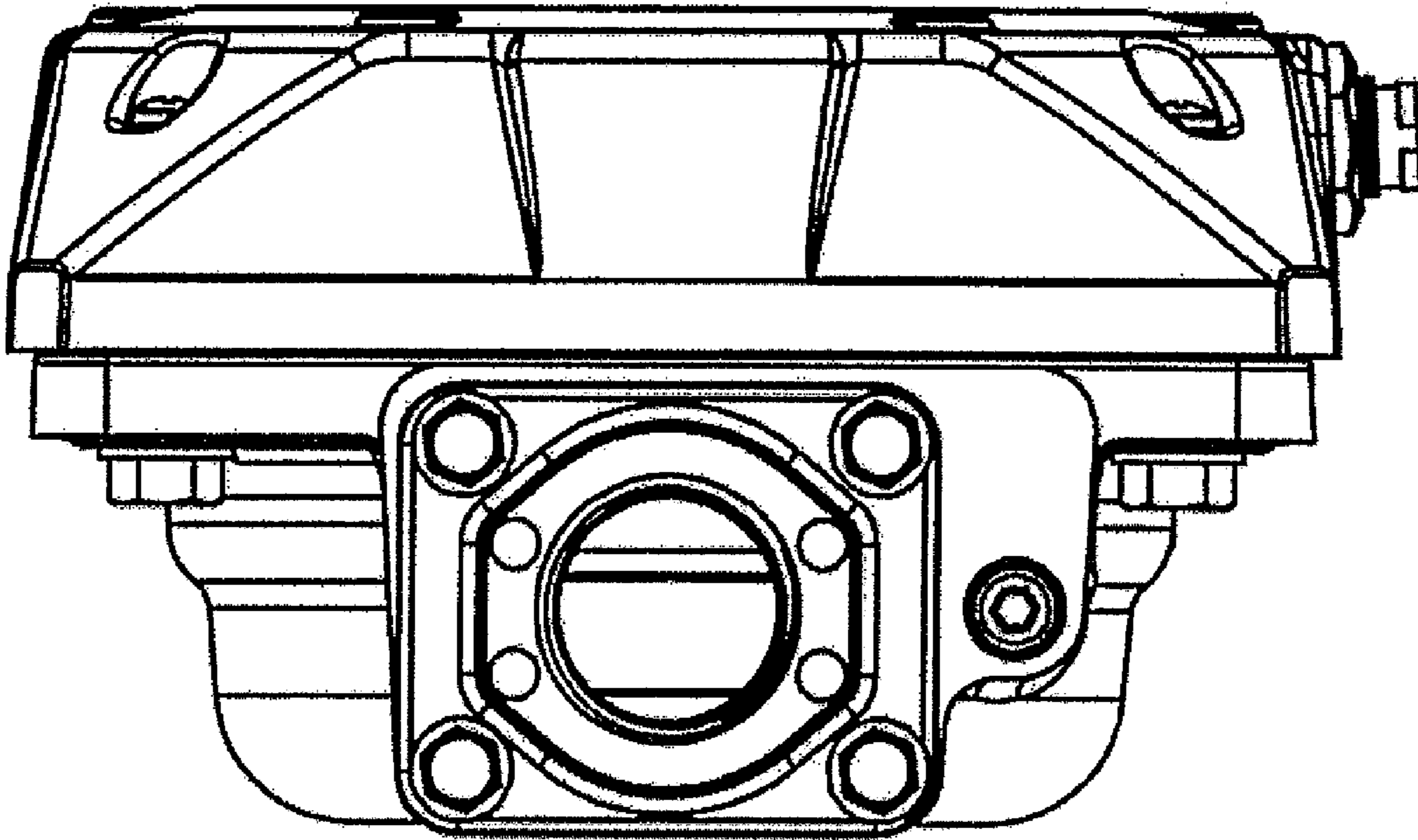


FIG. 24

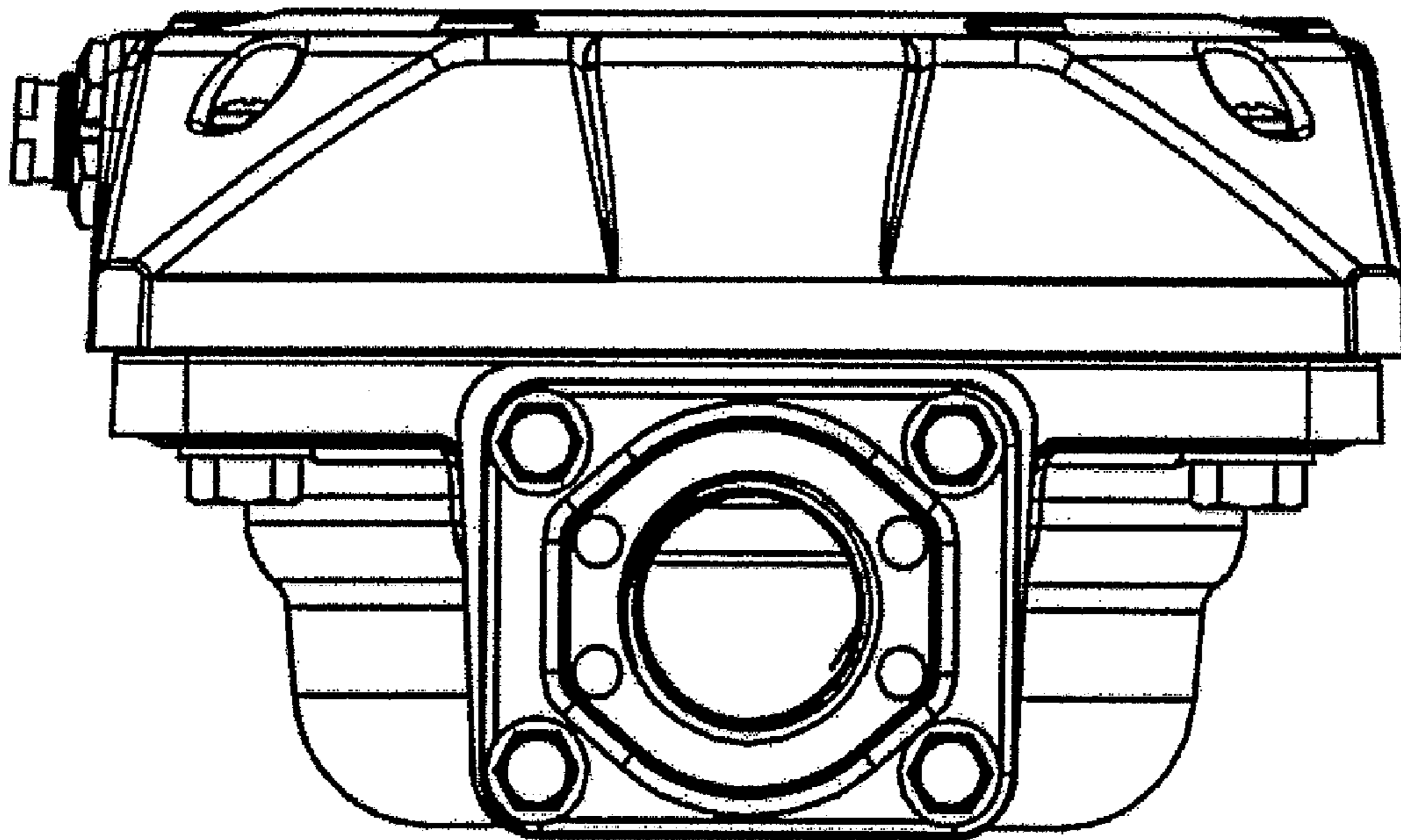


FIG. 25