



US00D633388S

(12) **United States Design Patent**  
**Andre et al.**

(10) **Patent No.:** **US D633,388 S**  
(45) **Date of Patent:** **\*\* Mar. 1, 2011**

(54) **PACKAGING**

(75) Inventors: **Bartley K. Andre**, Menlo Park, CA (US); **Daniel J. Coster**, San Francisco, CA (US); **Daniele De Iuliis**, San Francisco, CA (US); **Richard P. Howarth**, San Francisco, CA (US); **Jonathan P. Ive**, San Francisco, CA (US); **Steve Jobs**, Palo Alto, CA (US); **Duncan Robert Kerr**, San Francisco, CA (US); **Shin Nishibori**, Portola Valley, CA (US); **Matthew Dean Rohrbach**, San Francisco, CA (US); **Peter Russell-Clarke**, San Francisco, CA (US); **Douglas B. Satzger**, Menlo Park, CA (US); **Calvin Q. Seid**, Palo Alto, CA (US); **Vincent Keane Seid**, legal representative, Los Gatos, CA (US); **Christopher J. Stringer**, Woodside, CA (US); **Eugene Antony Whang**, San Francisco, CA (US); **Rico Zorkendorfer**, San Francisco, CA (US)

(73) Assignee: **Apple Inc.**, Cupertino, CA (US)

(\*\*) Term: **14 Years**

(21) Appl. No.: **29/363,450**

(22) Filed: **Jun. 9, 2010**

**Related U.S. Application Data**

(60) Continuation of application No. 29/340,508, filed on Jul. 20, 2009, now Pat. No. Des. 620,795, which is a division of application No. 29/281,505, filed on Jun. 25, 2007, now Pat. No. Des. 596,485.

(51) **LOC (9) Cl.** ..... **09-03**

(52) **U.S. Cl.** ..... **D9/456**

(58) **Field of Classification Search** ..... D9/430-433, D9/414, 418, 420-423, 456, 529, 560; 206/278, 206/297, 299, 320, 433, 457, 770, 737, 769, 206/776, 777, 778; 229/100, 101, 103.3, 229/106, 107, 108, 108.1, 109, 110, 112, 229/116, 116.5, 117, 117.01, 117.03-117.08, 229/121, 122, 122.24, 122.29, 125.015, 126, 229/152, 181.1, 185.1, 186, 201, 917, 922, 229/923, 930-933, 935, 937, 939, 942; 220/796

See application file for complete search history.

(56) **References Cited**

U.S. PATENT DOCUMENTS

1,315,593 A 9/1919 Binder

(Continued)

FOREIGN PATENT DOCUMENTS

EM 00056403-0001 8/2006

(Continued)

OTHER PUBLICATIONS

U.S. Appl. No. 11/849,176 entitled "Packaging" filed Aug. 31, 2007.

(Continued)

*Primary Examiner*—Robert M Spear

*Assistant Examiner*—Karen Acker

(74) *Attorney, Agent, or Firm*—Sterne, Kessler, Goldstein & Fox PLLC

(57) **CLAIM**

The ornamental design for packaging, as shown and described.

**DESCRIPTION**

FIG. 1 is a top perspective view of packaging showing our new design;

FIG. 2 is a bottom perspective view thereof;

FIG. 3 is a front view thereof;

FIG. 4 is a rear view thereof;

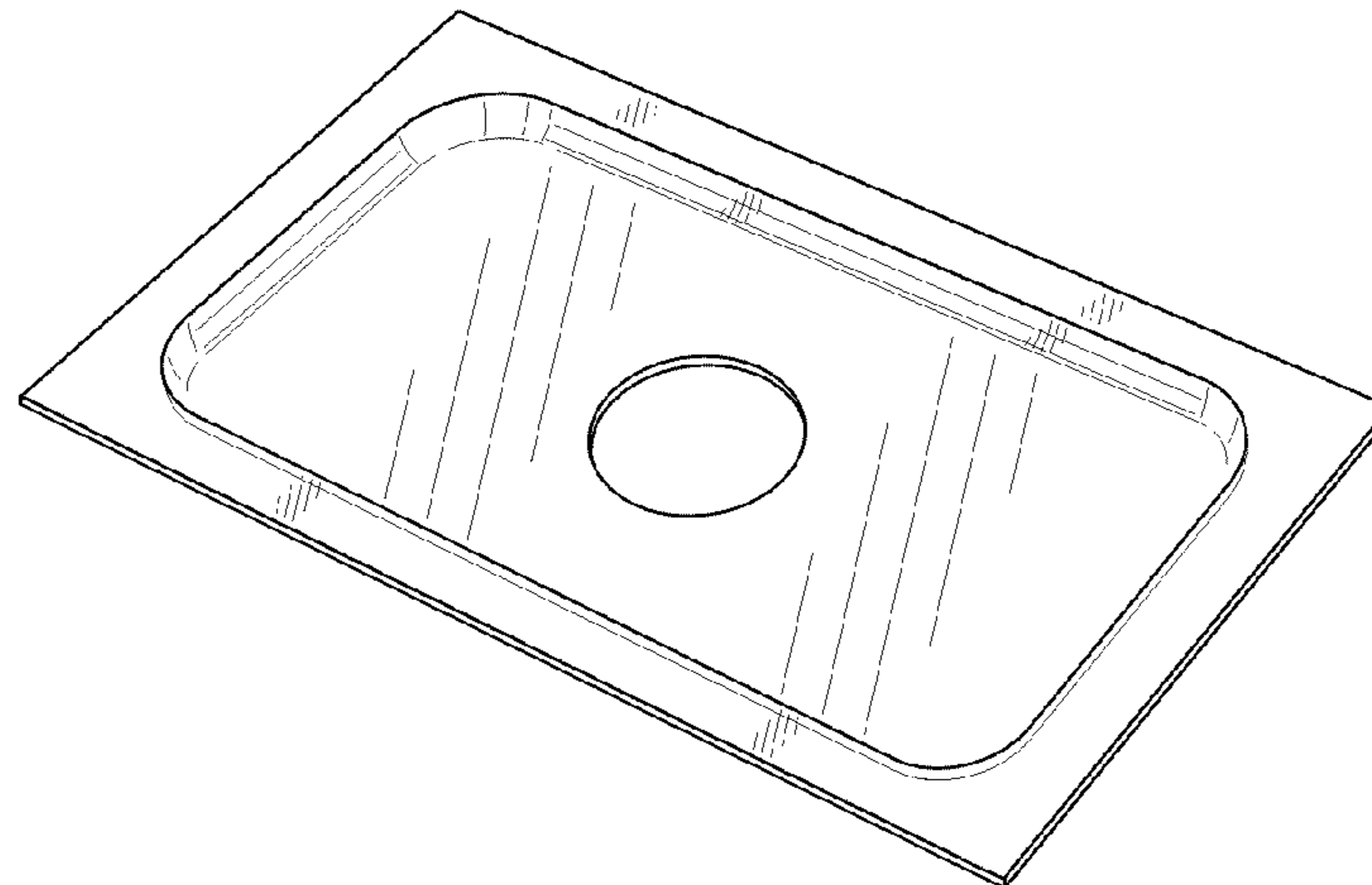
FIG. 5 is a side view thereof;

FIG. 6 is another side view thereof;

FIG. 7 is a top plan view thereof; and,

FIG. 8 is a bottom plan view thereof.

**1 Claim, 5 Drawing Sheets**



# US D633,388 S

## U.S. PATENT DOCUMENTS

1,518,219	A	12/1924	Peter	
1,650,039	A	11/1927	Price	
D111,649	S	10/1938	Di Domenico	
D114,891	S	5/1939	Fogel	
2,316,384	A	4/1943	Abramson	
2,606,708	A	8/1952	Irvan	
2,722,719	A	11/1955	Altstadter	
3,463,309	A	8/1969	Szostek	
3,487,921	A	1/1970	Barth et al.	
3,850,333	A	11/1974	Reichert	
D246,349	S	11/1977	Klupt	
D246,439	S	11/1977	Lynn et al.	
4,085,845	A	4/1978	Perfect	
D248,621	S	7/1978	Hay et al.	
4,106,597	A	8/1978	Shook et al.	
D257,585	S *	12/1980	Neuwirth	..... D9/425
4,293,074	A	10/1981	Dunsky	
D268,646	S *	4/1983	Hudson, Jr.	..... D9/456
D280,290	S	8/1985	Bakus	
4,542,822	A	9/1985	Kennedy, Jr. et al.	
4,606,459	A	8/1986	Luray	
4,606,460	A	8/1986	Luray	
4,739,353	A	4/1988	Heuer et al.	
4,876,136	A	10/1989	Chang et al.	
4,953,705	A	9/1990	Evamy	
D312,358	S	11/1990	Horne	
5,040,678	A	8/1991	Lenmark, Sr. et al.	
5,092,354	A *	3/1992	Pacelli, Jr.	..... 132/294
5,105,941	A	4/1992	Dolan et al.	
D331,191	S	11/1992	Ventola et al.	
5,251,760	A	10/1993	Smith et al.	
5,295,580	A	3/1994	Hicks	
5,484,063	A	1/1996	Cuccio et al.	
D369,295	S	4/1996	Kobari et al.	
D369,469	S	5/1996	Gregory	
5,573,119	A	11/1996	Luray	
D382,735	S	8/1997	Zapf	
D385,156	S	10/1997	Balari	
5,694,744	A	12/1997	Jones	
D397,552	S	9/1998	Rutledge	
D406,463	S	3/1999	Rutledge	
5,893,462	A	4/1999	Ridgeway	
D411,448	S	6/1999	Baker	
5,950,830	A *	9/1999	Trigger	..... 206/440
5,967,327	A	10/1999	Jones	
D417,391	S	12/1999	Szczepanski et al.	

6,010,006	A	1/2000	Ridgeway et al.	
6,154,360	A	11/2000	Kaczeus, Sr. et al.	
6,241,090	B1	6/2001	Kaplinsky	
6,302,274	B1	10/2001	Ridgeway	
6,305,539	B1	10/2001	Sanders, Jr.	
6,367,624	B1	4/2002	Szczepanski et al.	
6,400,247	B1	6/2002	King	
D490,977	S	6/2004	Freeman	
D506,744	S	6/2005	Andre et al.	
6,920,981	B2	7/2005	Lofgren et al.	
7,086,534	B2	8/2006	Roesel et al.	
7,117,993	B2	10/2006	Koike	
D541,045	S	4/2007	Peart et al.	
7,296,681	B2	11/2007	McDonald et al.	
D558,571	S	1/2008	Andre et al.	
D558,572	S	1/2008	Andre et al.	
D572,588	S *	7/2008	Osborn et al.	..... D9/456
D580,752	S	11/2008	Andre et al.	
D582,267	S	12/2008	Andre et al.	
D584,141	S *	1/2009	Smith et al.	..... D9/425
D584,142	S	1/2009	Andre et al.	
7,494,015	B2	2/2009	Bacon et al.	
7,506,758	B2	3/2009	Davis-Garrison	
7,520,389	B2	4/2009	Lalouette	
D596,485	S	7/2009	Andre et al.	
D607,317	S	1/2010	Collins	
D614,023	S *	4/2010	Amos et al.	..... D9/416
D616,741	S	6/2010	Andre et al.	
D621,256	S *	8/2010	Andre et al.	..... D9/432
D624,403	S *	9/2010	Hansen et al.	..... D9/426
2006/0266672	A1	11/2006	Young	
2010/0025278	A1 *	2/2010	Tilton	..... 206/459.5

## FOREIGN PATENT DOCUMENTS

JP	61-40925	3/1986
JP	D1066280	4/2000
JP	D1079431	7/2000
KR	30-0253042	2/2000
KR	30-0267299	12/2000
KR	3004262930000	9/2006
TW	0488766	9/1989
TW	D105819	8/2005

## OTHER PUBLICATIONS

U.S. Appl. No. 29/284,343 entitled "Packaging" filed Sep. 5, 2007.

\* cited by examiner

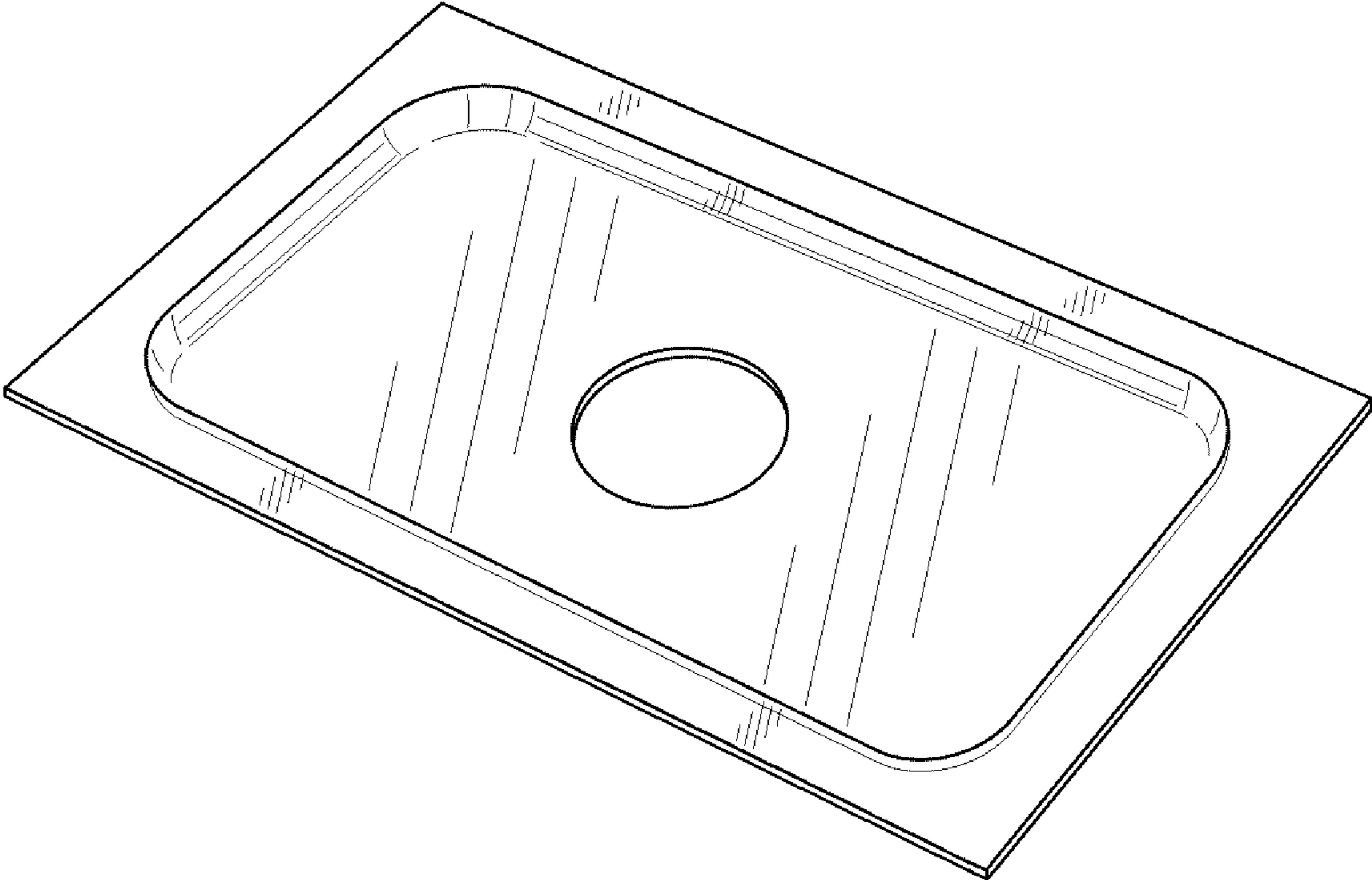


FIG. 1

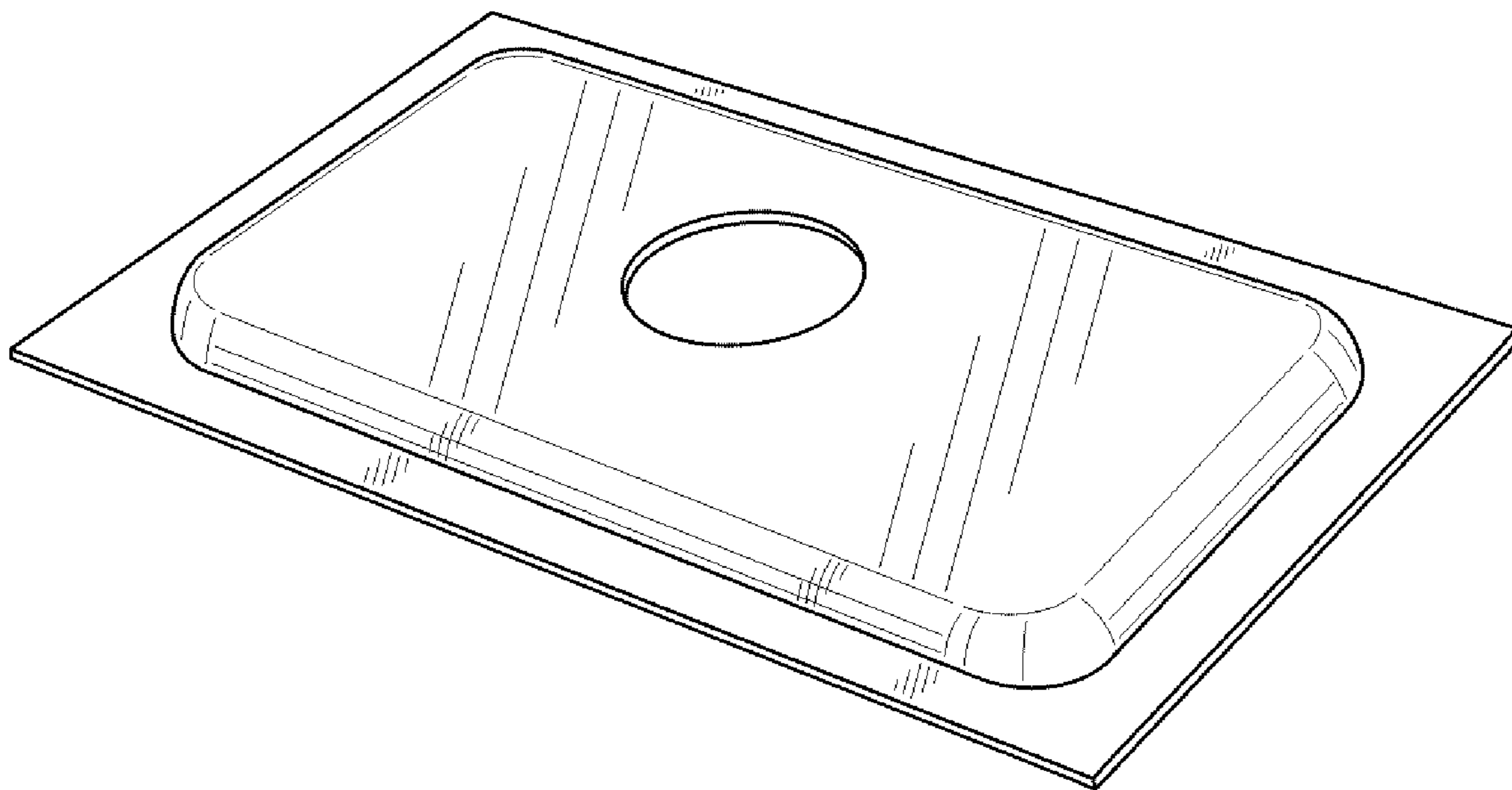


FIG. 2

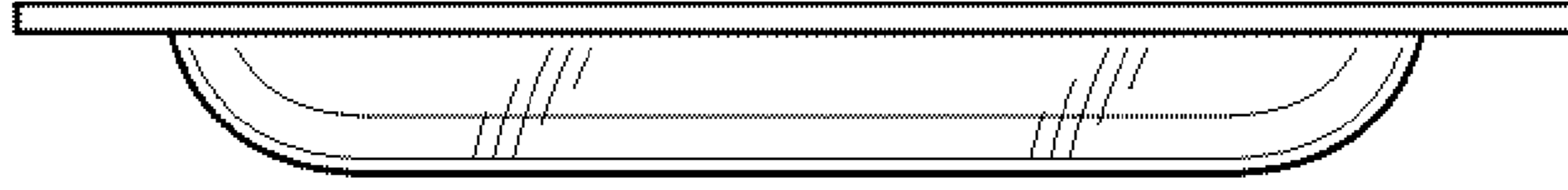


FIG. 3

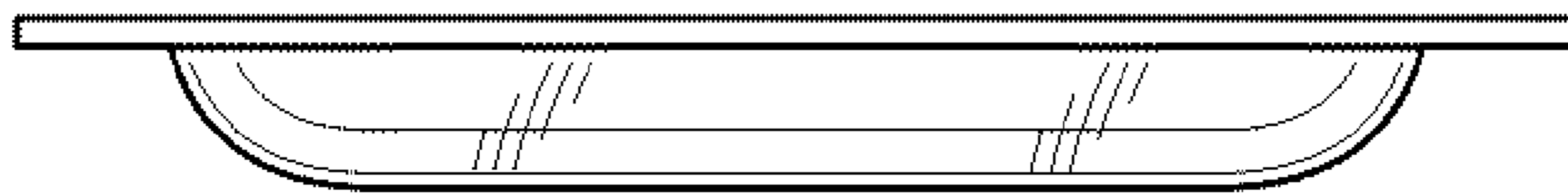


FIG. 4

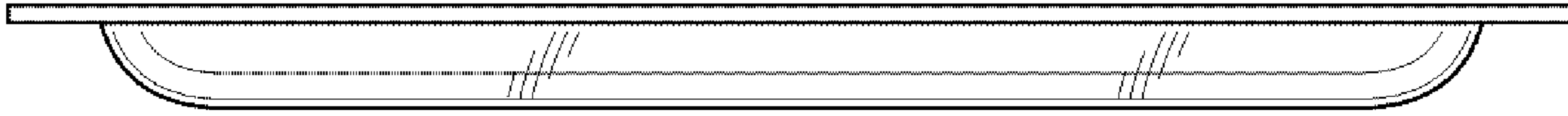


FIG. 5

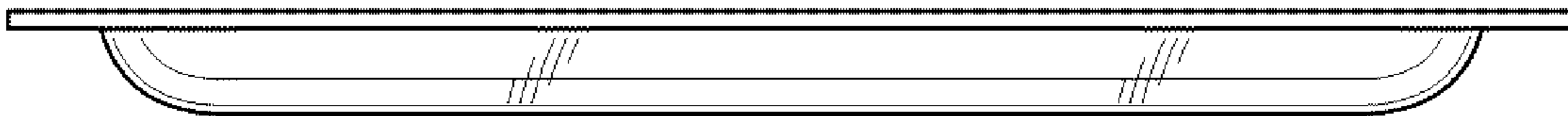


FIG. 6

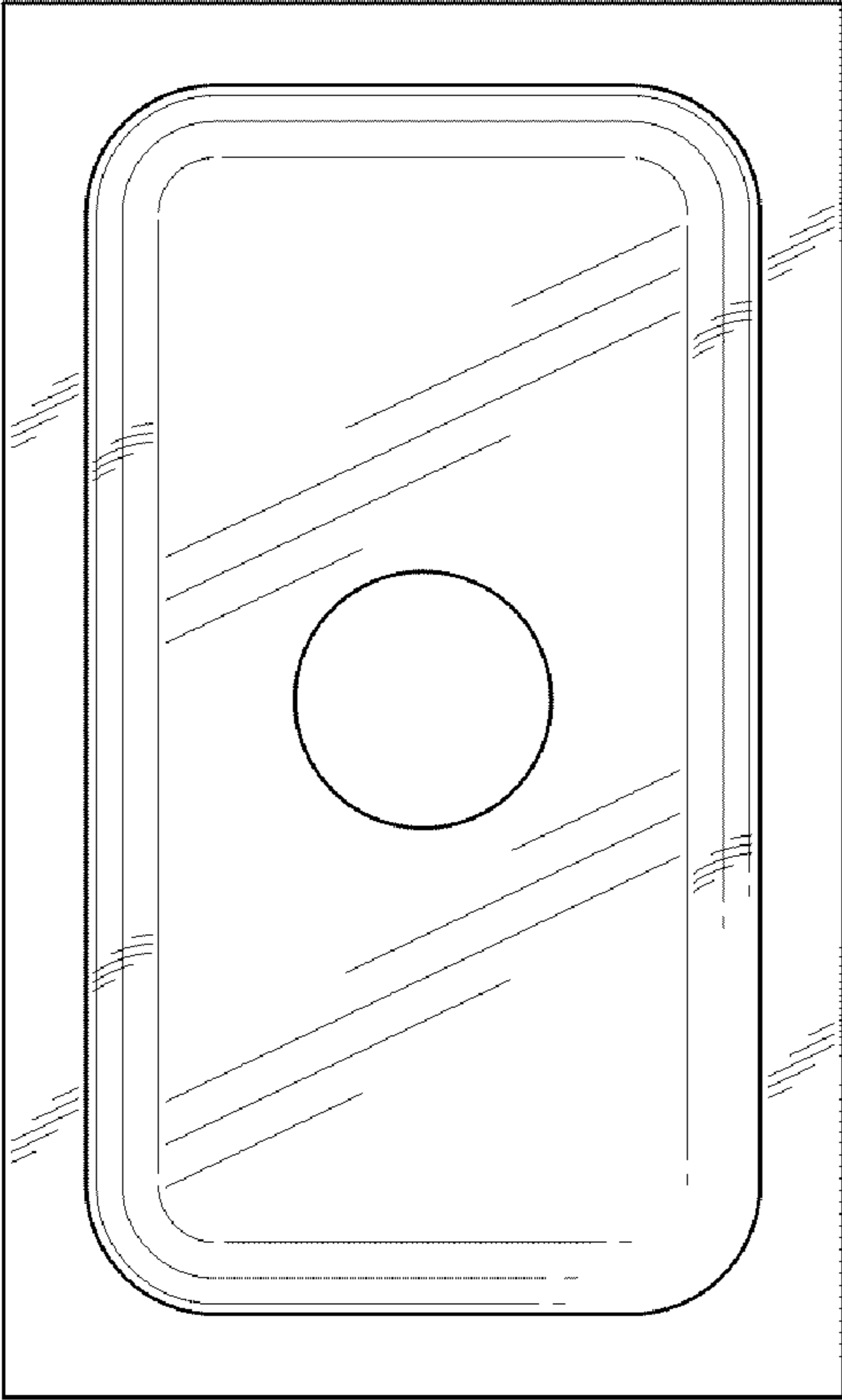


FIG. 7

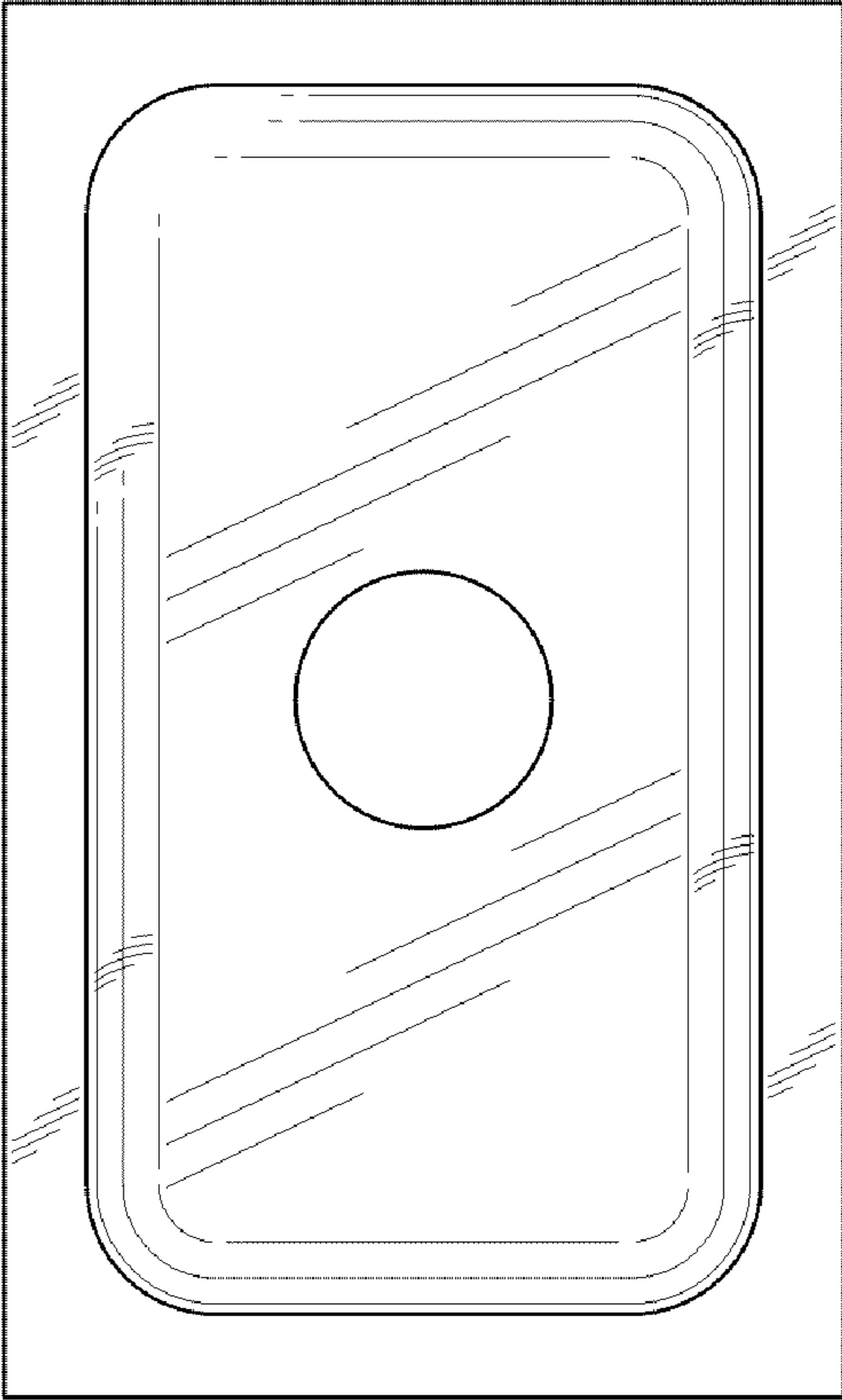


FIG. 8