



US00D633387S

(12) **United States Design Patent**
Gatto

(10) **Patent No.:** **US D633,387 S**
(45) **Date of Patent:** **** Mar. 1, 2011**

(54) **EASY TO LIFT CONTAINER**
(75) Inventor: **Daniel Gatto**, Brooklyn, NY (US)
(73) Assignee: **Alfay Design, Inc.**, New York, NY (US)
(**) Term: **14 Years**
(21) Appl. No.: **29/359,209**
(22) Filed: **Apr. 7, 2010**

(51) **LOC (9) Cl.** **09-07**
(52) **U.S. Cl.** **D9/454; D9/434**
(58) **Field of Classification Search** D9/780,
D9/778, 772, 763, 756, 556, 529, 518, 504,
D9/503, 454, 450, 449, 447, 440, 438, 435,
D9/434, 428, 425, 424; D7/584, 392.1, 509,
D7/549, 557, 601, 630, 396.2, 396.2 C; 229/123.1;
222/556; 220/906, 806, 716, 713, 711, 359.3,
220/359.1, 285, 273, 265, 259.2-259.4, 258.2,
220/257.1, 254.4; 215/256, 249, 232, 216;
206/530

See application file for complete search history.

(56) **References Cited**

U.S. PATENT DOCUMENTS

D30,094 S * 1/1899 Busch D9/434
D32,681 S * 5/1900 Morganthaler D9/434
D44,392 S * 7/1913 Whitney D9/434
1,480,298 A * 1/1924 Pearson 160/369
2,789,607 A * 4/1957 Tupper 220/780
2,817,453 A * 12/1957 Stover 215/46
3,044,611 A * 7/1962 Tupper 220/802
3,409,168 A * 11/1968 Chmielowiec 220/614
3,414,183 A * 12/1968 Wilcox 229/125.13
3,424,343 A * 1/1969 Hoeffelman 220/613

D338,621 S * 8/1993 Balson D9/434
D379,588 S * 6/1997 Pledger et al. D9/434
D397,062 S * 8/1998 Hollington D11/164
D457,283 S * 5/2002 Wayt D34/6
D485,404 S * 1/2004 Del Prato D34/6
D515,353 S * 2/2006 Martin D7/392.1
D537,598 S * 2/2007 Moore D34/5
D610,176 S * 2/2010 Nagamine et al. D15/138
2009/0250461 A1 * 10/2009 Syrkos 220/254.1

* cited by examiner

Primary Examiner—Susan Bennett Hattan

(74) *Attorney, Agent, or Firm*—Mark M. Friedman

(57) **CLAIM**

The ornamental design for an easy to lift container, as shown and described.

DESCRIPTION

This patent application claims priority from U.S. Design patent application Ser. No. 29/346,673 previously filed by Applicant and Inventor Dan Gato on Nov. 4, 2009 which application is still pending.

FIG. 1 is a perspective view of the easy to lift container of the present invention showing my new design;

FIG. 2 is a top view thereof;

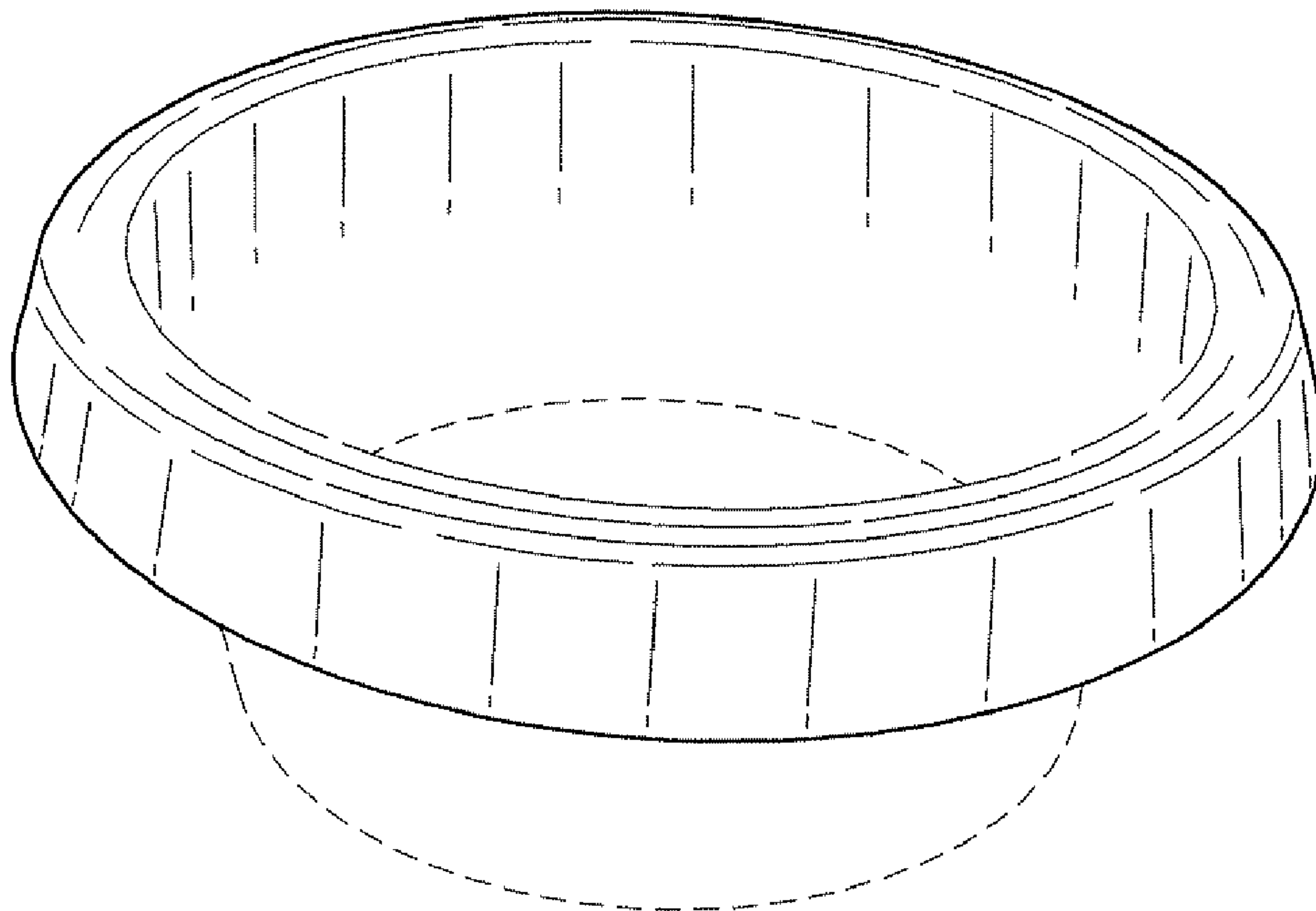
FIG. 3 is a bottom view thereof;

FIG. 4 is a side view thereof from the front, the other sides being identical; and,

FIG. 5 is a sectional view thereof from a view from inside the container.

The broken lines in the drawings depict environmental subject matter only and form no part of the claimed design.

1 Claim, 5 Drawing Sheets



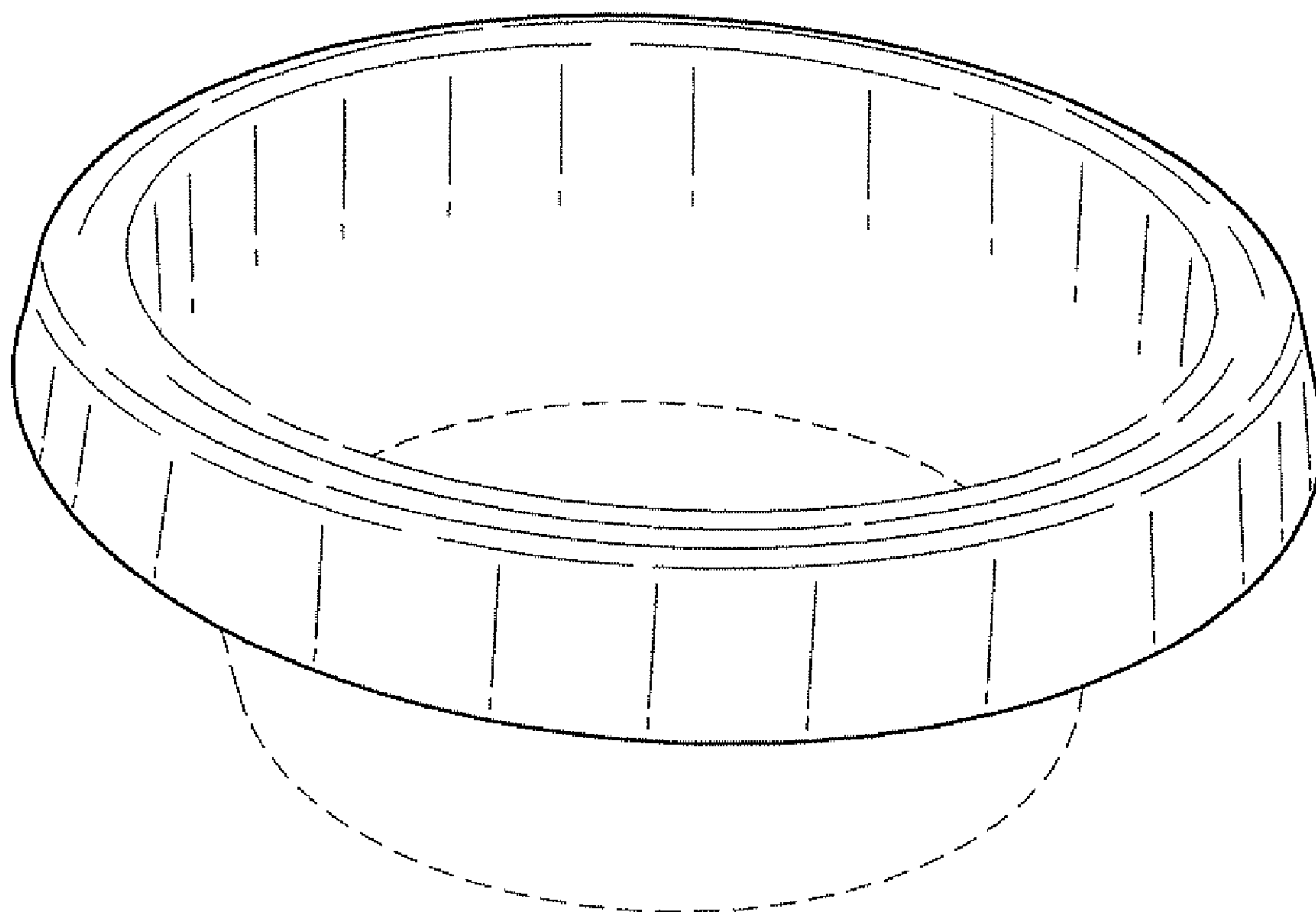


FIG. 1

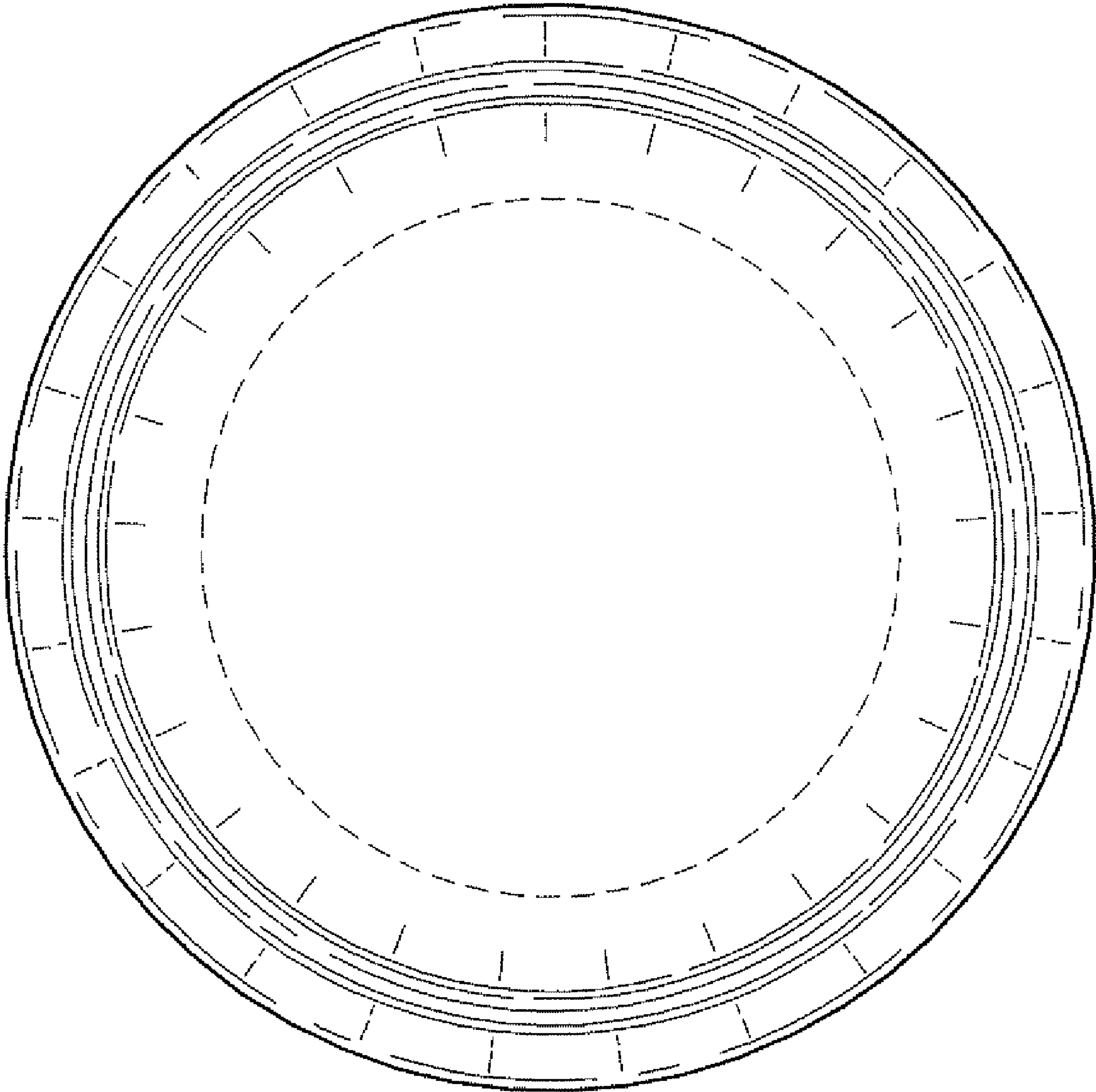


FIG. 2

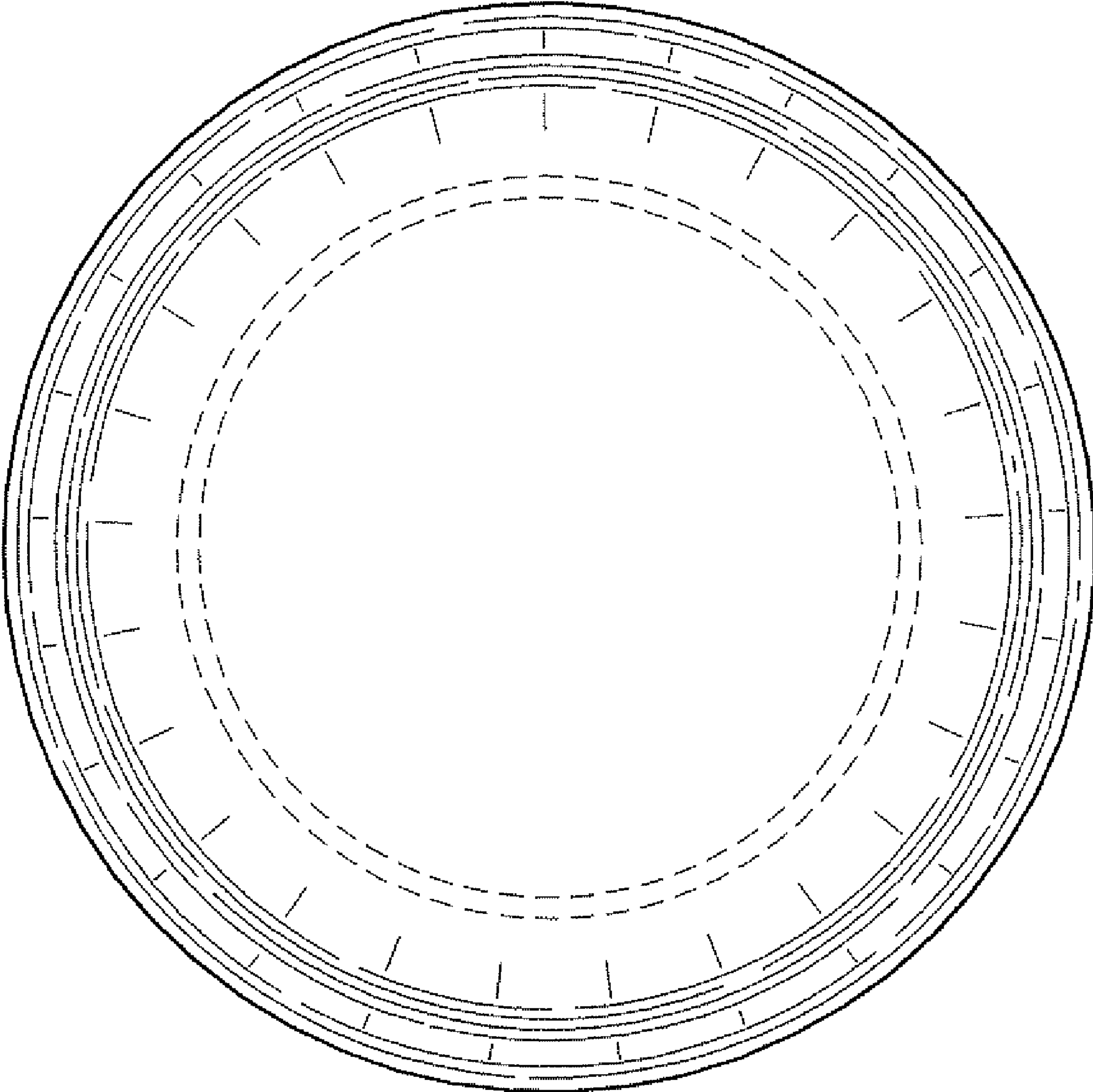


FIG. 3

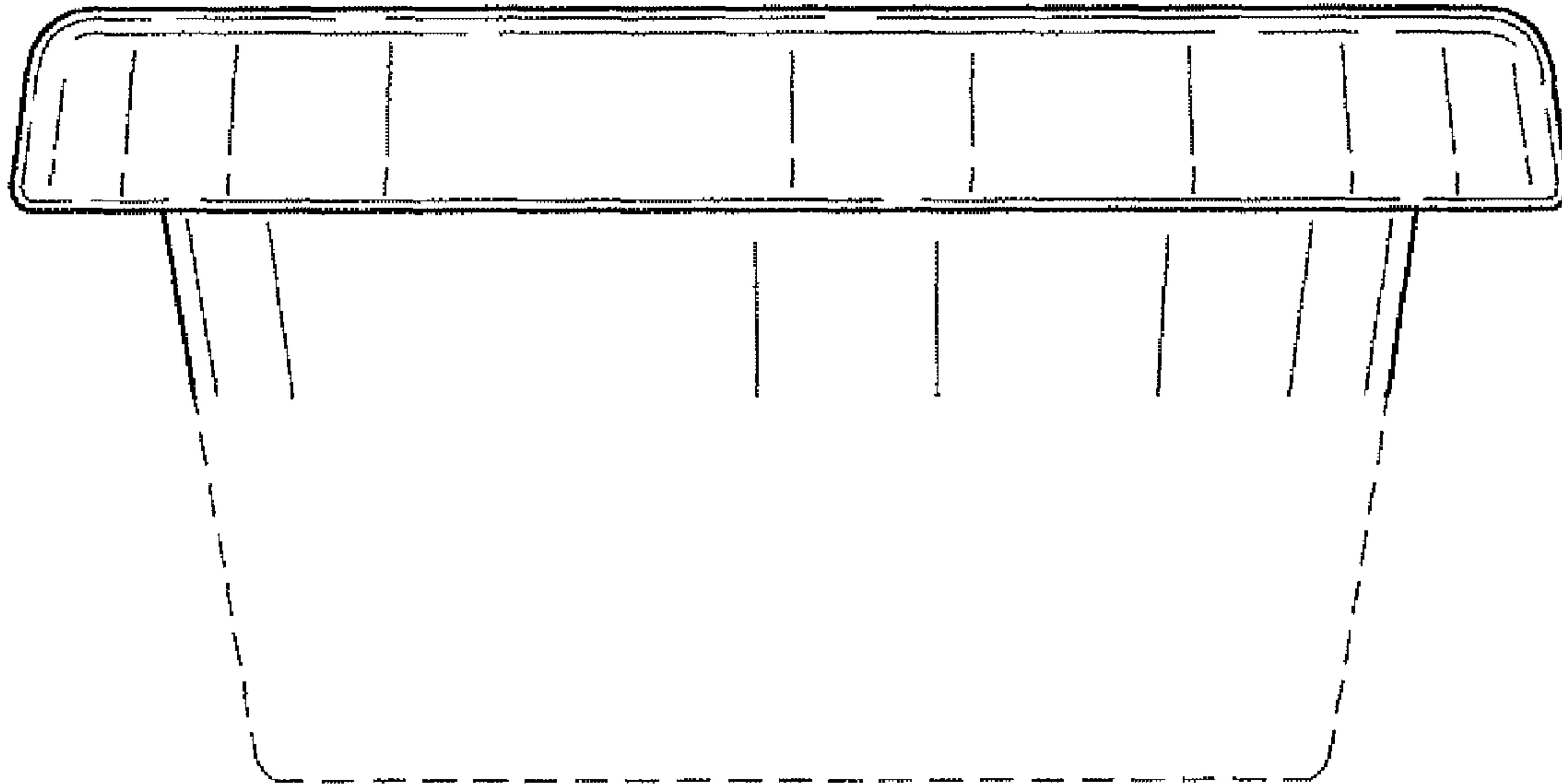


FIG. 4

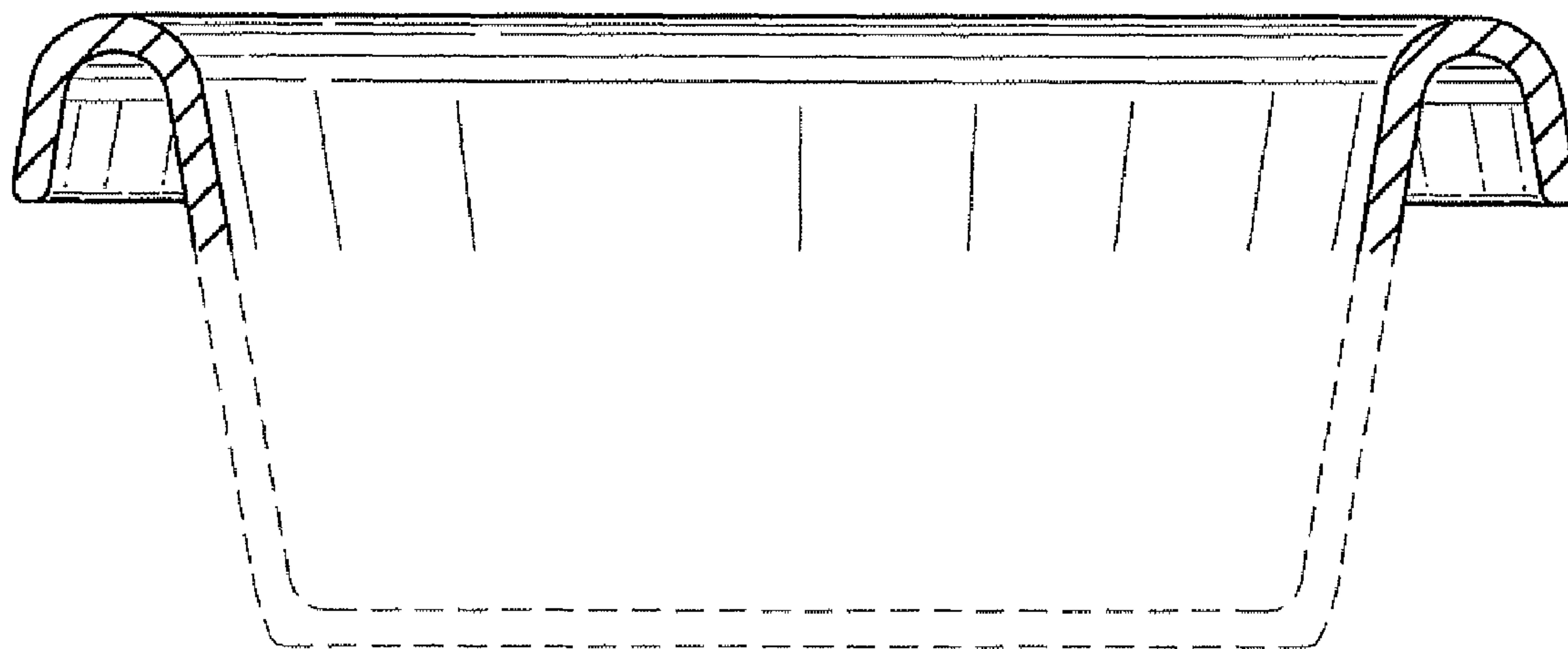


FIG. 5