



US00D633386S

(12) **United States Design Patent**  
**Taber et al.**

(10) **Patent No.:** **US D633,386 S**  
(45) **Date of Patent:** **\*\* Mar. 1, 2011**

(54) **CLOSURE**

- (75) Inventors: **James M. Taber**, Aurora, IL (US);  
**Darren R. Neputy**, Palos Hills, IL (US)
- (73) Assignee: **Silgan White Cap LLC**, Downers  
Grove, IL (US)
- (\*\*) Term: **14 Years**
- (21) Appl. No.: **29/362,585**
- (22) Filed: **May 27, 2010**

FOREIGN PATENT DOCUMENTS

AR 248252 A1 7/1995

(Continued)

OTHER PUBLICATIONS

Silgan White Cap LLC Brochure, "Plasti-Twist TM Plus—38mm  
VAJ", 2008.

(Continued)

- (51) **LOC (9) Cl.** ..... **09-07**
- (52) **U.S. Cl.** ..... **D9/453**
- (58) **Field of Classification Search** ..... D9/651,  
D9/453, 452, 450, 449, 446, 443, 435; 222/83;  
220/277; 215/252, 216, 206, 222, 219  
See application file for complete search history.

*Primary Examiner*—Susan Bennett Hattan

(74) *Attorney, Agent, or Firm*—Reinhart Boerner Van Deuren  
s.c.

(57) **CLAIM**

We claim the ornamental design for a closure, as shown and  
described.

(56) **References Cited**

U.S. PATENT DOCUMENTS

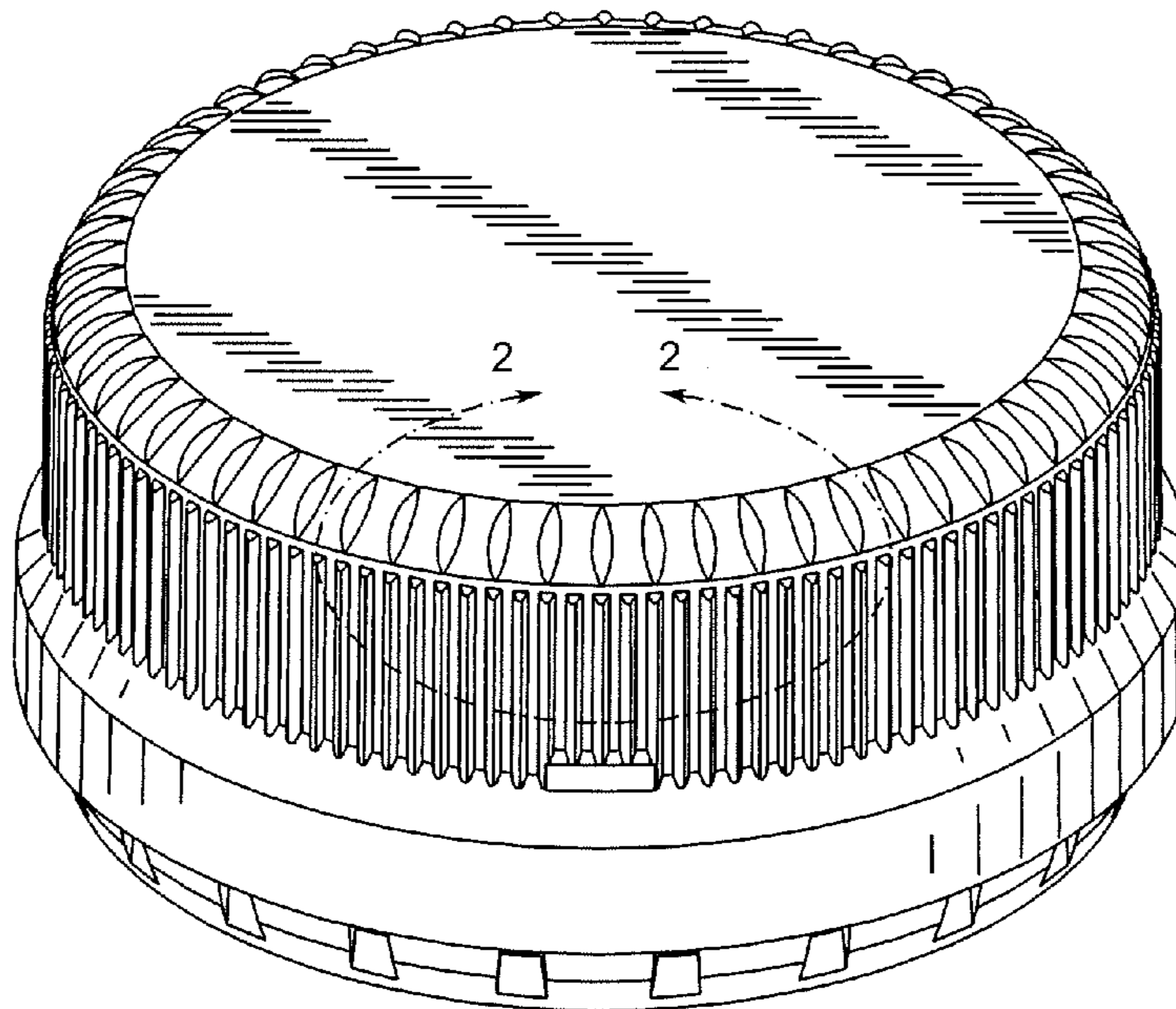
1,495,722 A *	5/1924	Anderson	.....	215/307
3,251,498 A	5/1966	Roy		
3,601,273 A	8/1971	Kutcher		
3,637,073 A	1/1972	Capuano		
3,796,338 A	3/1974	Wilton		
3,805,987 A	4/1974	Horvath		
3,871,544 A	3/1975	Peyser		
3,946,889 A	3/1976	Gach		
4,076,139 A	2/1978	Larson		
4,153,174 A	5/1979	Keeler		
4,157,143 A	6/1979	Doi		
4,278,180 A	7/1981	Willis		
4,352,436 A	10/1982	Chartier et al.		
RE31,496 E	1/1984	Keeler		
4,454,954 A	6/1984	Willis		

**DESCRIPTION**

FIG. 1 is a perspective view of the claimed design;  
 FIG. 2 is an enlarged perspective view of a portion of the  
 claimed design, using line 2—2 as a boundary;  
 FIG. 3 is a front elevational view of the claimed design, the  
 rear elevational view being the same as the front elevational  
 view;  
 FIG. 4 is a top plan view of the claimed design;  
 FIG. 5 is a left side elevational view of the claimed design, the  
 right side elevational view being the same as the left side  
 elevational view; and,  
 FIG. 6 is a bottom plan view of the claimed design.  
 The broken lines in the drawings depict environmental sub-  
 ject matter only and form no part of the claimed design.

(Continued)

**1 Claim, 3 Drawing Sheets**



# US D633,386 S

U.S. PATENT DOCUMENTS			FOREIGN PATENT DOCUMENTS		
4,505,401 A	3/1985	Berglund	D587,115 S	2/2009	Capretta et al.
4,540,100 A	9/1985	Willis	D592,954 S *	5/2009	Capretta et al. .... D9/453
4,550,845 A	11/1985	Guala	7,527,161 B2	5/2009	Rodriguez et al.
4,573,601 A	3/1986	Berglund	D597,793 S	8/2009	Krueger et al.
4,592,476 A	6/1986	Yasada	7,575,121 B2	8/2009	Ooka et al.
4,597,500 A	7/1986	Stubbs	7,609,512 B2	10/2009	Richardson et al.
4,638,917 A	1/1987	Persch	D603,222 S	11/2009	Krueger et al.
4,991,729 A	2/1991	Hunter	7,663,879 B2	2/2010	Richardson et al.
5,000,992 A	3/1991	Kelch	7,688,580 B2	3/2010	Richardson et al.
5,064,084 A	11/1991	McBride et al.	7,721,911 B2	5/2010	Chou
5,090,582 A	2/1992	Art et al.	2002/0122907 A1	9/2002	Whitemore et al.
5,129,530 A	7/1992	Fuchs	2002/0175171 A1	11/2002	Stewart et al.
5,174,465 A	12/1992	Luch et al.	2003/0034351 A1	2/2003	Van Handel et al.
5,244,107 A	9/1993	Battegazzore	2003/0176548 A1	9/2003	Goldman
5,249,695 A	10/1993	Luch et al.	2004/0007556 A1	1/2004	Manera et al.
5,271,519 A	12/1993	Adams et al.	2004/0026354 A1	2/2004	Folchini et al.
5,303,837 A	4/1994	Adams et al.	2005/0092750 A1	5/2005	Lohrman et al.
5,317,796 A	6/1994	Hunter	2005/0145638 A1	7/2005	Van Handel et al.
5,348,182 A	9/1994	Luch	2006/0032831 A1	2/2006	Major
5,348,183 A	9/1994	Luch et al.	2006/0102584 A1	5/2006	Wellman
5,348,184 A	9/1994	Adams et al.	2006/0124575 A1	6/2006	Mavin et al.
5,351,845 A	10/1994	Hunter	2006/0231519 A1	10/2006	Py et al.
5,397,013 A	3/1995	Adams et al.	2007/0034590 A1	2/2007	Hidding
5,402,901 A	4/1995	Carvalho et al.	2007/0095835 A1	5/2007	Lohrman et al.
D361,265 S *	8/1995	Doxey ..... D9/435	2008/0067142 A1	3/2008	Druitt
5,445,283 A	8/1995	Krautkramer	2008/0110848 A1	5/2008	Lantos et al.
5,460,283 A	10/1995	MaCartney et al.	2008/0169261 A1	7/2008	Druitt et al.
5,487,481 A	1/1996	Sander et al.	2008/0179276 A1	7/2008	Lohrman et al.
5,512,228 A	4/1996	Adams et al.	2008/0251489 A1	10/2008	Livingston et al.
5,597,082 A	1/1997	Luch et al.	2008/0251490 A1	10/2008	Livingston et al.
5,609,262 A	3/1997	Trout	2008/0272083 A1	11/2008	Druitt
5,673,809 A	10/1997	Ohmi et al.	2008/0272084 A1	11/2008	Lohrman et al.
5,676,269 A	10/1997	Blake et al.	2008/0314000 A1	12/2008	Druitt
5,678,719 A	10/1997	Adams et al.	2009/0009945 A1	1/2009	Johnson et al.
5,680,945 A	10/1997	Sander et al.	2009/0020494 A1	1/2009	Seelhofer
5,893,475 A	4/1999	May	2009/0034169 A1	2/2009	Richardson et al.
D413,202 S	8/1999	Schmitt et al.	2009/0039083 A1	2/2009	Stull et al.
D418,756 S	1/2000	Reidenbach	2010/0008028 A1	1/2010	Richardson et al.
D418,757 S	1/2000	Reidenbach	2010/0072163 A1	3/2010	Krause
6,039,198 A	3/2000	Wolfe et al.	2010/0140268 A1	6/2010	Lohrman
6,123,212 A	9/2000	Russell et al.			
6,149,023 A	11/2000	Palmer			
6,182,845 B1	2/2001	Wolfe et al.	AT	319792 B	1/1975
6,199,696 B1	3/2001	Lytte et al.	AU	653779 B2	10/1994
6,283,318 B1	9/2001	Lee	AU	664730 B2	11/1995
D458,138 S *	6/2002	Fuchs ..... D9/453	AU	666683 B2	2/1996
6,431,385 B1	8/2002	Palmer	AU	668541 B2	5/1996
D465,731 S *	11/2002	Brant et al. .... D9/453	AU	676009 B2	2/1997
6,557,714 B2	5/2003	Babcock et al.	AU	696551 B2	9/1998
6,646,864 B2	11/2003	Richardson	AU	701983 B2	2/1999
6,733,852 B2	5/2004	Littlejohn et al.	AU	752149 B2	9/2002
D506,359 S	6/2005	Zettle et al.	AU	2002336000 A1	10/2002
D513,181 S *	12/2005	Bloom et al. .... D9/453	AU	761701 B2	6/2003
6,995,976 B2	2/2006	Richardson	AU	2003239915 A1	12/2003
7,011,221 B2	3/2006	Smith et al.	AU	2004243320 A1	12/2004
D525,125 S	7/2006	King	AU	2005275107 A1	2/2006
D525,523 S	7/2006	King	AU	2005279311 A1	3/2006
7,077,278 B2	7/2006	Dubach	AU	2005209675 A1	6/2006
7,158,376 B2	1/2007	Richardson et al.	AU	2005331483 A1	11/2006
7,180,735 B2	2/2007	Thomas et al.	AU	2006332049 A1	8/2007
D538,654 S	3/2007	Seidita	AU	2006332049 A2	8/2007
7,207,453 B2	4/2007	Rossi	AU	2008243010 A1	10/2008
D542,654 S	5/2007	Szczesniak	AU	2006332049 A8	3/2009
D542,655 S	5/2007	Szczesniak	AU	2004243320 B2	3/2010
D542,656 S	5/2007	Szczesniak	BE	745201 A1	7/1970
7,230,823 B2	6/2007	Richardson et al.	BE	783313 A1	11/1972
7,258,905 B2	8/2007	Whitmore et al.	BG	62607 B1	3/2000
7,312,984 B2	12/2007	Thomas et al.	BR	8500825 A	10/1985
7,314,146 B2	1/2008	Mavin	BR	9007401 A	6/1992
D573,022 S *	7/2008	Berman ..... D9/453	BR	9105879 A	11/1992
D574,240 S	8/2008	Szczesniak	BR	9201556 A	12/1992
				9206669 A	5/1995



# US D633,386 S

BR	9406119	A	12/1995	DE	69424149	T2	11/2000
BR	9305765	A	1/1997	DE	69630596	T2	9/2004
BR	9607940	A	6/1998	DE	60021731	T2	4/2006
BR	9905736	A	9/2000	DE	602005004565	T2	1/2009
BR	PI0514215	A	6/2008	DK	135529	B	5/1977
BR	PI0514822	A	6/2008	DK	267684	A	12/1984
BR	PI0607233	A2	8/2009	DK	85885	A	9/1985
CA	962628	A1	2/1972	DK	161585	B	7/1991
CA	920090	A1	1/1973	DK	1397296	T3	12/2005
CA	1010821	A1	5/1977	DK	1789336	T3	1/2009
CA	1113886	A1	12/1981	EA	200700511	A1	8/2007
CA	1132099	A1	9/1982	EA	009267	B1	12/2007
CA	2053898	A1	12/1990	EA	200801786	A1	2/2009
CA	2071531	A1	2/1992	EA	013494	B1	4/2010
CA	1314839	C	3/1993	EP	0154611	A2	9/1985
CA	2128526	A1	7/1993	EP	0156522	A1	10/1985
CA	2126870	A1	8/1993	EP	0154611	A3	5/1987
CA	2107041	A1	8/1994	EP	0225394	A1	6/1987
CA	2107055	A	8/1994	EP	0156522	B1	1/1988
CA	2151923	A1	8/1994	EP	0154611	B1	5/1990
CA	2215927	A1	9/1996	EP	0474772	A1	3/1992
CA	2379574	A1	3/2001	EP	0474772	A4	5/1992
CA	2354684	A1	2/2002	EP	0497969	A1	8/1992
CA	2121890	C	1/2003	EP	0502716	A2	9/1992
CA	2392801	A1	1/2003	EP	0511502	A2	11/1992
CA	2392828	A1	1/2003	EP	0497969	A4	3/1993
CA	2527007	A1	12/2004	EP	0511502	A3	2/1994
CA	2565971	A1	6/2006	EP	0608378	A1	8/1994
CA	2602222	A1	7/2006	EP	0621848	A1	11/1994
CA	2580467	A1	11/2006	EP	0623522	A1	11/1994
CA	2379574	C	9/2007	EP	0621848	A4	5/1995
CA	2683991	A1	10/2008	EP	0502716	A3	8/1995
CA	2354684	C	3/2009	EP	0669261	A1	8/1995
CA	2392801	C	12/2009	EP	0682624	A1	11/1995
CA	2527007	C	12/2009	EP	0682625	A1	11/1995
CH	519422	A	2/1972	EP	0511502	B1	4/1996
CH	640476	A5	1/1984	EP	0608378	A4	9/1997
CH	669367	A5	3/1989	EP	0815028	A1	1/1998
CH	698861	B1	9/2009	EP	0682625	B1	12/1998
CN	1113201	A	12/1995	EP	0608378	B1	12/1999
CN	1117722	A	2/1996	EP	0682624	B1	4/2000
CN	1117723	A	2/1996	EP	0815028	A4	5/2001
CN	1131635	A	9/1996	EP	0502716	B1	7/2001
CN	1040311	C	10/1998	EP	1206396	A1	5/2002
CN	1216965	A	5/1999	EP	1327588	A1	7/2003
CN	1070143	C	8/2001	EP	0815028	B1	11/2003
CN	1080688		3/2002	EP	1397296	A1	3/2004
CN	1367751	A	9/2002	EP	1206396	B1	8/2005
CN	1166533	C	9/2004	EP	1397296	B1	9/2005
CN	1799946	A	7/2006	EP	1397296	B8	11/2005
CN	1816480	A	8/2006	EP	1636103	A2	3/2006
CN	1984821	A	6/2007	EP	1659071	A2	5/2006
CN	101001788	A	7/2007	EP	1659071	A3	6/2006
CN	101044065	A	9/2007	EP	1679267	A2	7/2006
CN	101044066	A	9/2007	EP	1679267	A3	7/2006
CN	101044067	A	9/2007	EP	1781548	A1	5/2007
CN	101142126	A	3/2008	EP	1789336	A1	5/2007
CN	101395064	A	3/2009	EP	1799573	A1	6/2007
CN	101535146	A	9/2009	EP	1799574	A1	6/2007
CO	4410224	A1	1/1997	EP	1828000	A1	9/2007
DE	1928684	A1	8/1970	EP	1799574	B1	1/2008
DE	6922518	U	10/1970	EP	1879807	A2	1/2008
DE	2222655	A1	11/1972	EP	1888424	A2	2/2008
DE	2350973	A1	4/1974	EP	1789336	B1	8/2008
DE	130913	B	5/1975	EP	1781548	B1	10/2008
DE	2813454	A1	4/1979	EP	1984261	A1	10/2008
DE	3100956	C2	8/1984	EP	1985549	A1	10/2008
DE	3420013	A1	12/1984	EP	1327588	B1	11/2008
DE	2350973	C2	4/1985	EP	1799573	B1	12/2008
DE	3421820	A1	12/1985	EP	1828000	B1	1/2009
DE	4314754	A1	11/1994	EP	1659071	B1	2/2009
DE	4390357	T0	6/1995	EP	1984261	B1	6/2009
DE	69415655	T2	6/1999	EP	2065314	A2	6/2009

# US D633,386 S

Page 4

EP	2065314	A3	9/2009	MX	9707176	A	3/1998
EP	2144700	A2	1/2010	MX	PA02001135	A	10/2002
ES	243498	U	9/1979	MX	PA05012719	A	2/2006
ES	255671	U	10/1981	MX	2007008927	A	10/2009
ES	286909	U	11/1985	NL	7001222	A	8/1970
ES	292865	U	6/1986	NL	7206295	A	11/1972
ES	296723	U	12/1987	NL	171687	C	5/1983
ES	295793	U	11/1997	NL	8401679	A	1/1985
ES	2127378	T3	4/1999	PL	173080	B1	1/1998
ES	2146252	T3	8/2000	PL	174688	B1	8/1998
ES	2208734	T3	6/2004	PL	180383	B1	1/2001
ES	2246899	T3	3/2006	PT	1799574	E	4/2008
ES	2247388	T3	3/2006	PT	1789336	E	11/2008
ES	2302235	T3	7/2008	RO	118745	B	10/2003
ES	2313457	T3	3/2009	RU	2094343		10/1997
ES	2314687	T3	3/2009	RU	2126351	C1	2/1999
ES	2318091	T3	5/2009	RU	2139230	C1	10/1999
ES	2319554	T3	5/2009	RU	2007108774	A	8/2008
ES	2327462	T3	10/2009	RU	2007128569	A	3/2009
FI	842106	A	12/1984	SE	376746	B	6/1975
FI	78655	B	5/1989	SE	8100145	L	7/1981
FI	78655	C	9/1989	SE	8303099	L	12/1984
FI	952691	A	8/1995	SE	8403493	L	2/1985
FR	2041038	A1	1/1971	SE	444425	B	4/1986
FR	2137739	A1	12/1972	SE	460893	B	12/1989
FR	2318083	A1	2/1977	WO	WO 9014945	A1	12/1990
FR	2403947	A1	4/1979	WO	WO 9203350	A1	3/1992
FR	2474450	A1	7/1981	WO	WO 9215496	A1	9/1992
FR	2546853	A1	12/1984	WO	WO 9308092	A1	4/1993
FR	2701248	A1	8/1994	WO	WO 9312983		7/1993
FR	2706426	A	12/1994	WO	WO 9313998	A1	7/1993
GB	1091796	A	11/1967	WO	WO 9314001	A1	7/1993
GB	1238767	A	7/1971	WO	WO 9314988	A1	8/1993
GB	1394363	A	5/1975	WO	WO 9315970	A1	8/1993
GB	1433208	A	4/1976	WO	WO 9418084	A1	8/1994
GB	1595286	A	8/1981	WO	WO 9418085	A1	8/1994
GB	2069470	A	8/1981	WO	WO 9620872	A2	7/1996
GB	2140787	A	12/1984	WO	WO 9629257	A1	9/1996
GB	2383995	A	7/2003	WO	WO 9620872	A3	10/1996
GB	2383995	B	12/2005	WO	WO 9733802	A1	9/1997
GC	0000139	A	6/2005	WO	WO 0115988	A1	3/2001
GR	73515	A1	8/1984	WO	WO 02076839	A2	10/2002
HU	223327	B1	6/2004	WO	WO 02102678	A1	12/2002
IE	920680	A1	9/1992	WO	WO 02076839	A3	1/2003
IL	33746	A	4/1973	WO	WO 03099672	A1	12/2003
IL	39378	A	10/1974	WO	WO 2004106172	A2	12/2004
IT	1054208	B	11/1981	WO	WO 2004106172	A3	2/2005
IT	1095960	B	8/1985	WO	WO 2006019949	A1	2/2006
IT	1173373	B	6/1987	WO	WO 2006024550	A1	3/2006
IT	1176222	B	8/1987	WO	WO 2006024656	A1	3/2006
IT	1194830	B	9/1988	WO	WO 2006060098	A1	6/2006
IT	1247435	B	12/1994	WO	WO 2006097151	A2	9/2006
JP	54054550	U	4/1979	WO	WO 2006117024	A1	11/2006
JP	56142158	A	11/1981	WO	WO 2006097151	A3	6/2007
JP	59221248	A	12/1984	WO	WO 2007085106	A1	8/2007
JP	60034346		2/1985	WO	WO 2007117228	A2	10/2007
JP	60217957	A	10/1985	WO	WO 2007117228	A3	9/2008
JP	05124669	A	5/1993	WO	WO 2008130929	A2	10/2008
JP	05196141	A	8/1993	WO	WO 2008130929	A3	12/2009
JP	07237646	A	9/1995	WO	WO 2010036416	A	4/2010
JP	8509188	T	10/1996	ZA	200300238	A	8/2003
JP	8509189	T	10/1996				
JP	11502491	T	3/1999				
JP	20061932214	A	7/2006				
KR	1020070061852	A	6/2007				
KR	20070086754	A	8/2007				
MX	146402	A	6/1982				

## OTHER PUBLICATIONS

Silgan White Cap LLC Brochure, "Plasti-Twist™ Plus—43mm VLD/VMD", 2008.

\* cited by examiner



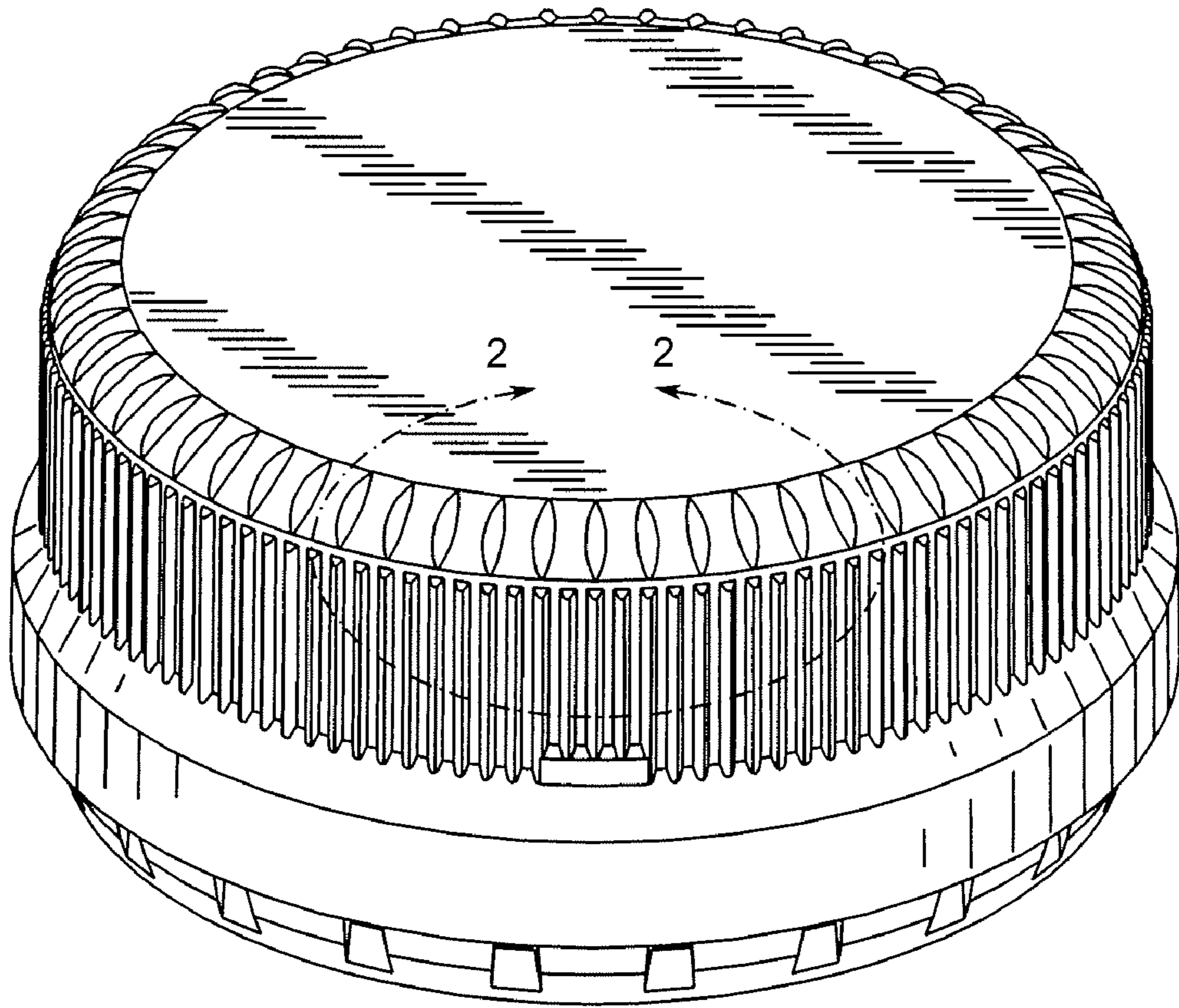


FIG. 1

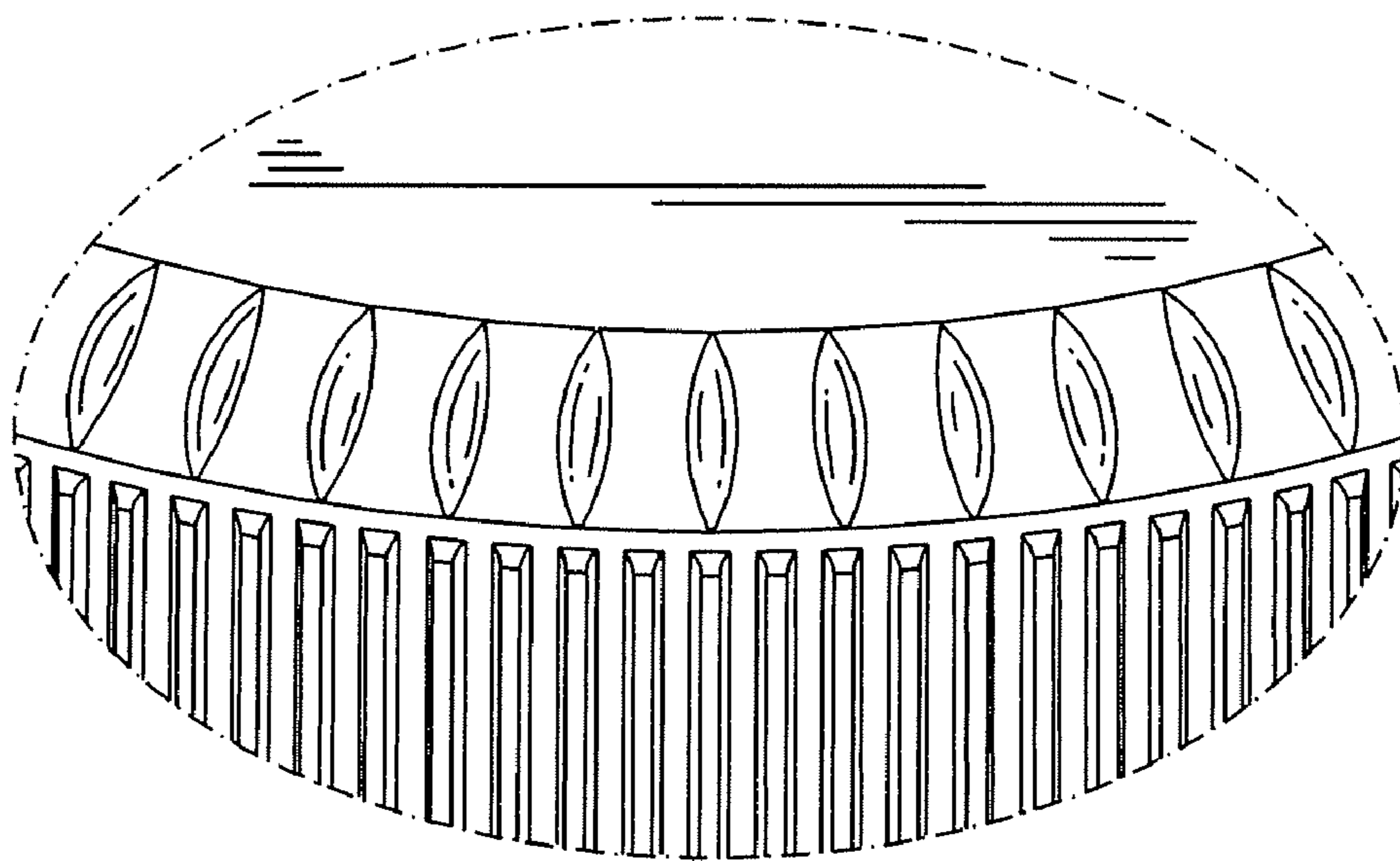


FIG. 2

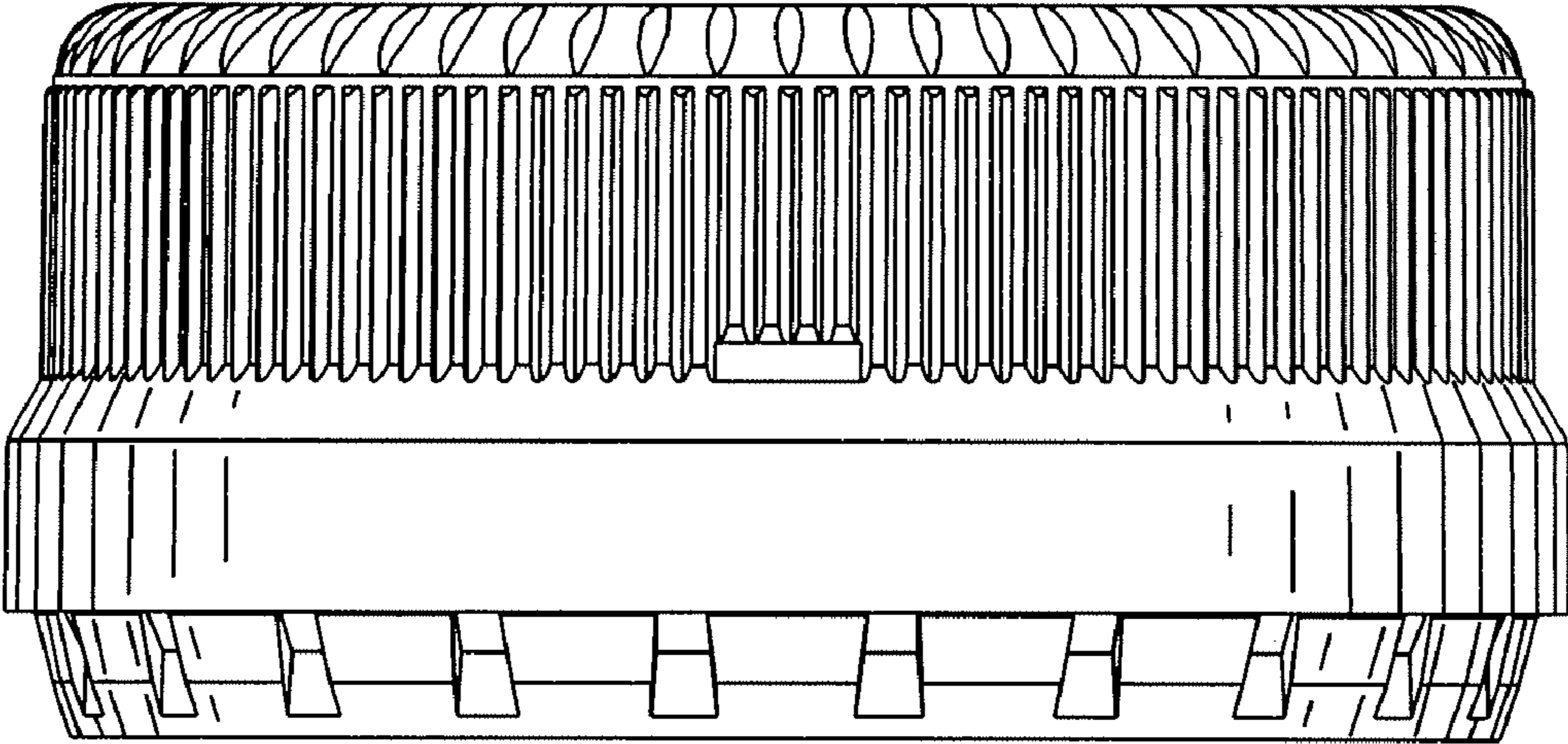


FIG. 3

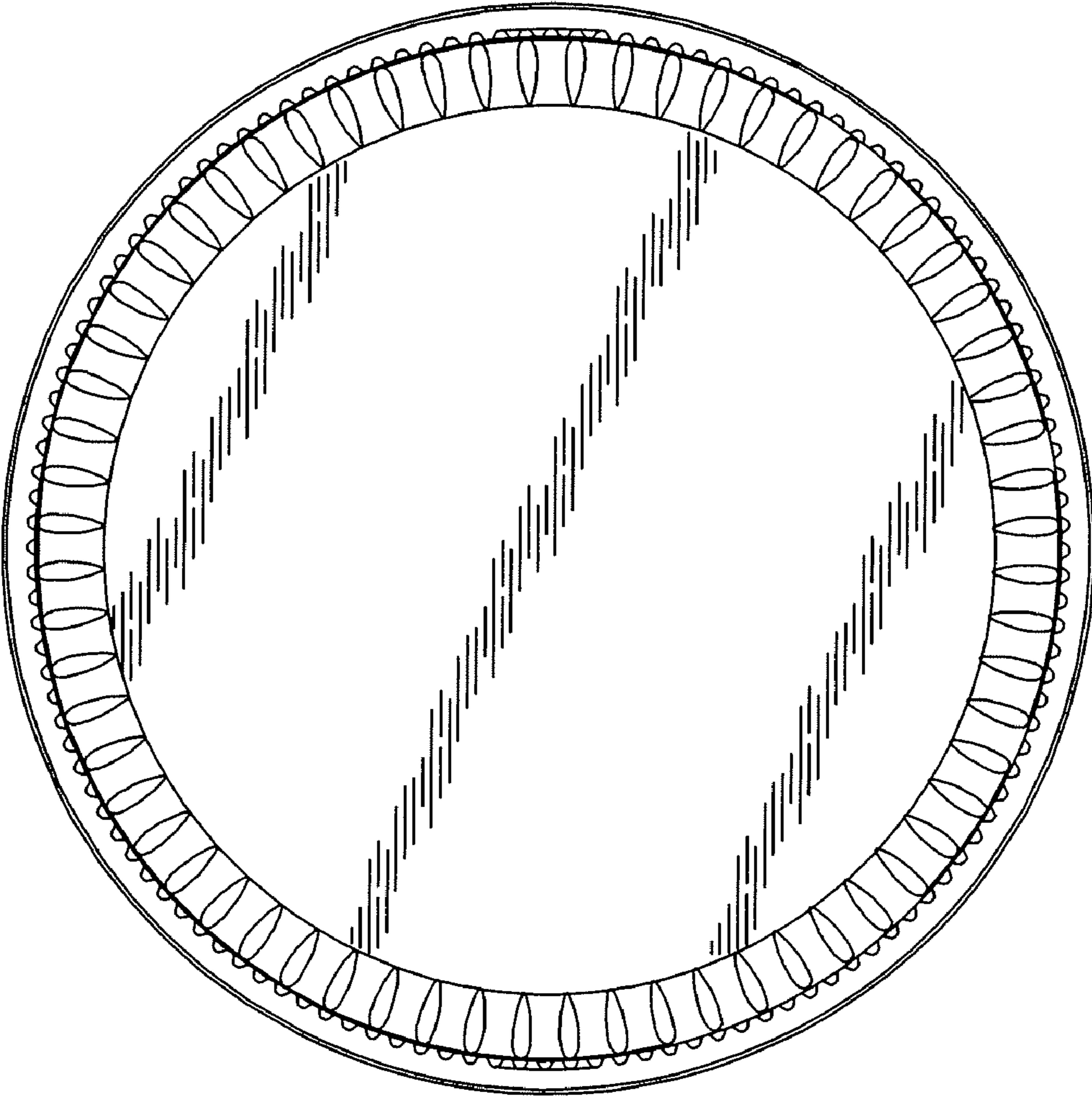


FIG. 4

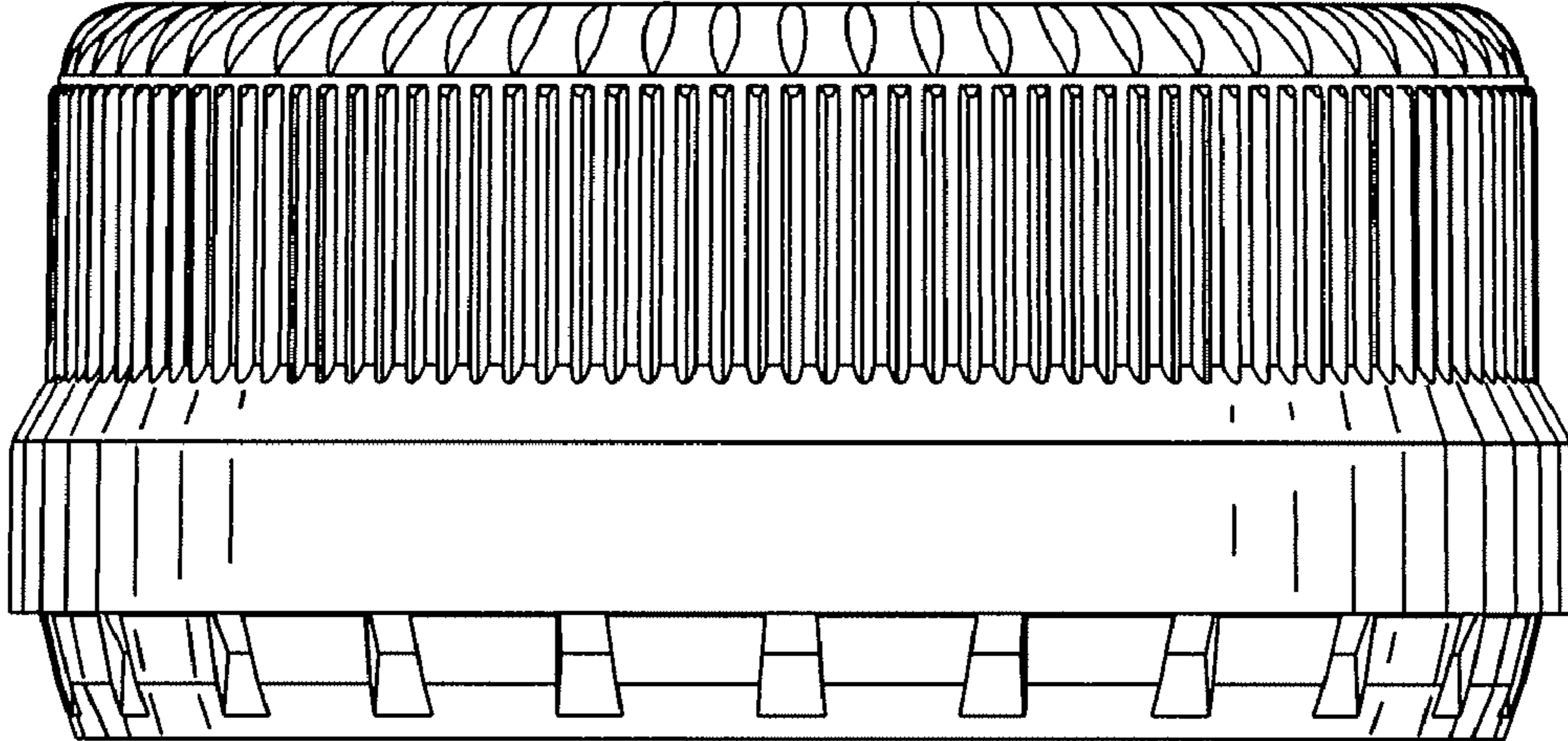


FIG. 5

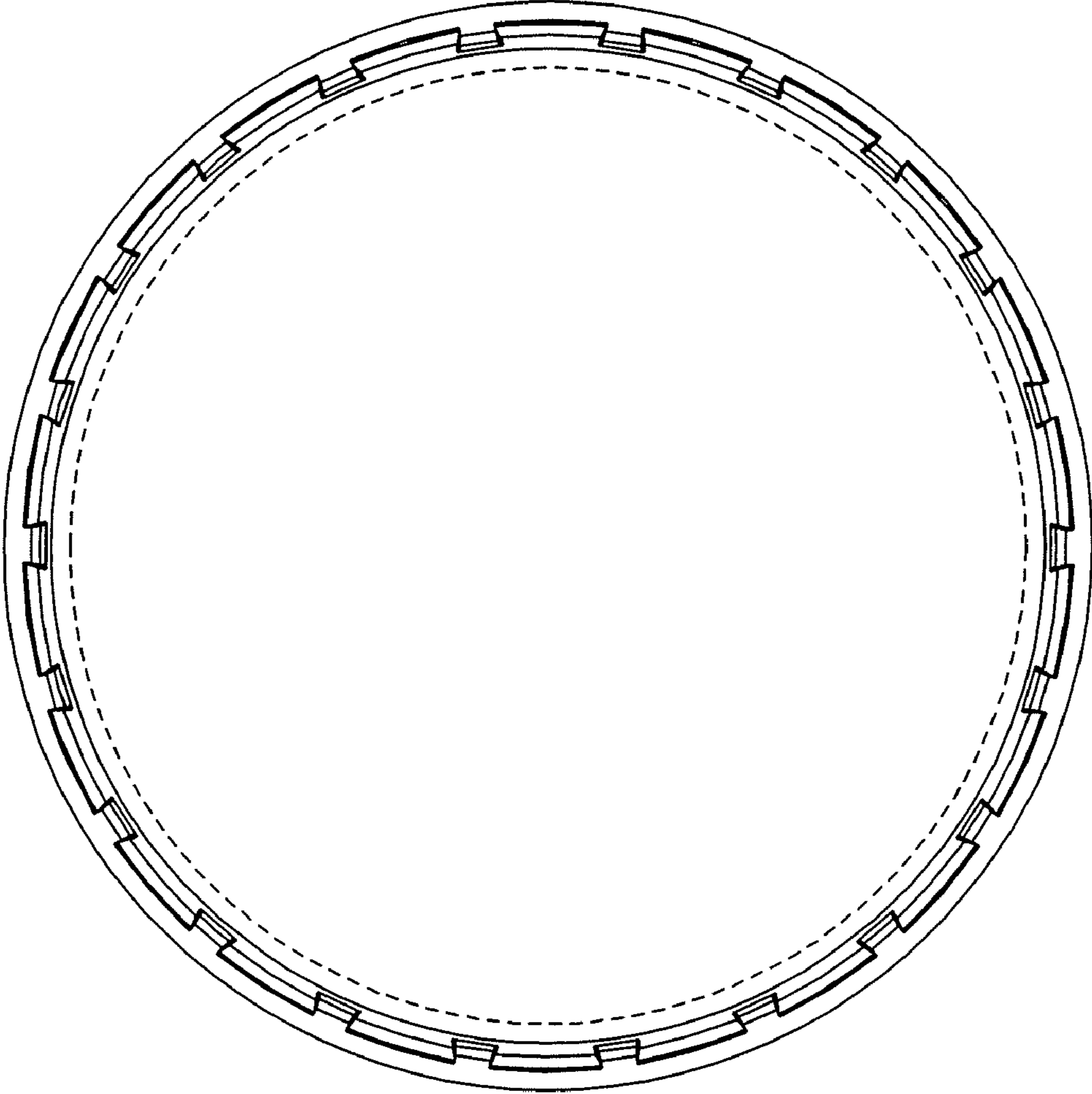


FIG. 6