



US00D633384S

(12) **United States Design Patent**
Tanaka

(10) **Patent No.:** **US D633,384 S**
(45) **Date of Patent:** **** Mar. 1, 2011**

(54) **COMBINED CONTAINER AND NOZZLE**

(75) Inventor: **Akinori Tanaka**, Osaka (JP)

(73) Assignee: **Alteco Inc.**, Osaka (JP)

(**) Term: **14 Years**

(21) Appl. No.: **29/347,473**

(22) Filed: **Feb. 1, 2010**

(51) **LOC (9) Cl.** **09-07**

(52) **U.S. Cl.** **D9/447**

(58) **Field of Classification Search** D9/724,
D9/454, 453, 449, 448, 447, 435, 434, 418;
D28/7; D24/129, 115; 604/414, 411, 403;
422/103; 239/327; 222/522, 211, 209, 109;
221/63; 220/254.1-254.4; 215/247; 206/824;
141/329

See application file for complete search history.

(56) **References Cited**

U.S. PATENT DOCUMENTS

D198,964 S *	8/1964	Dash	D24/115
D264,939 S *	6/1982	Stock	D9/724
D264,940 S *	6/1982	Stock	D9/724
D299,973 S	2/1989	Campello et al.		
D329,379 S *	9/1992	Jorgensen et al.	D9/434
D399,423 S *	10/1998	Palestrant	D9/447
D529,603 S *	10/2006	Knickerbocker et al.	...	D24/110
D543,118 S *	5/2007	Poisson et al.	D9/724
D551,569 S	9/2007	Tanaka		

FOREIGN PATENT DOCUMENTS

JP	D1053275	11/1999
JP	D1301037	5/2007

* cited by examiner

Primary Examiner—Susan Bennett Hattan
(74) *Attorney, Agent, or Firm*—Rader, Fishman & Grauer PLLC

(57) **CLAIM**

The ornamental design for a combined container and nozzle, as shown and described.

DESCRIPTION

FIG. 1 is a perspective view of a combined container and nozzle showing my new design wherein the nozzle is removed;

FIG. 2 is a front elevational view thereof;

FIG. 3 is a rear elevational view thereof;

FIG. 4 is a left side elevational view thereof;

FIG. 5 is a right side elevational view thereof; and

FIG. 6 is a top plan view thereof.

FIG. 7 is a bottom plan view of the nozzle portion shown in FIG. 1. Portions in broken lines are for illustrative purpose only and form no part of the claimed design.

FIG. 8 is an enlarged front elevational view of the nozzle portion of FIG. 1 along the line 8—8 of FIG. 2;

FIG. 9 is an enlarged rear elevational view thereof along the line 9—9 of FIG. 3;

FIG. 10 is an enlarged left side elevational view thereof along the line 10—10 of FIG. 4;

FIG. 11 is an enlarged right side elevational view thereof along the line 11—11 of FIG. 5;

FIG. 12 is a top plan view thereof; and,

FIG. 13 is a bottom plan view thereof.

1 Claim, 7 Drawing Sheets

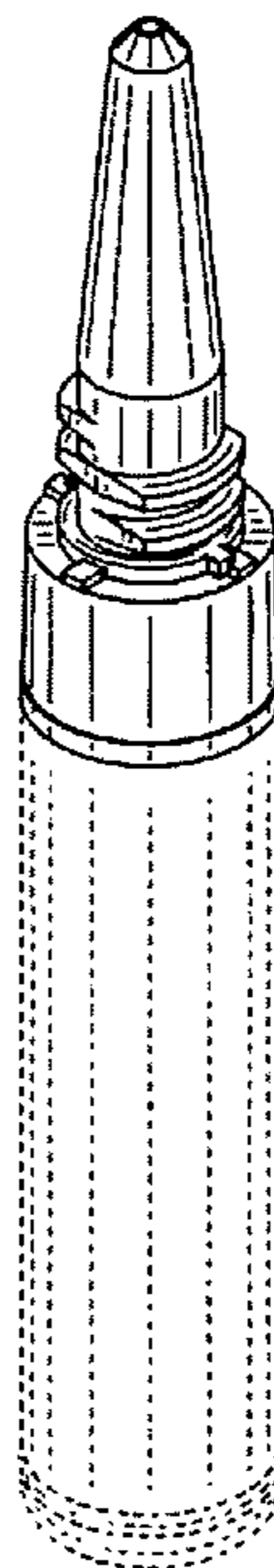


FIG. 1

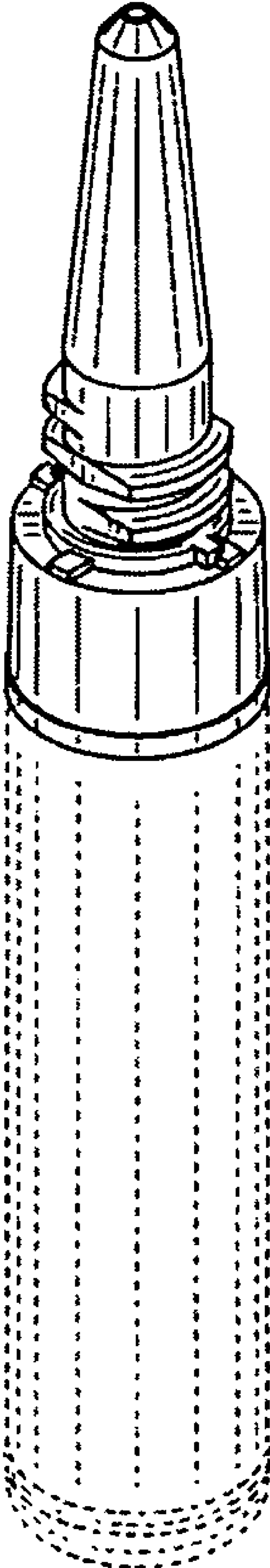


FIG. 2

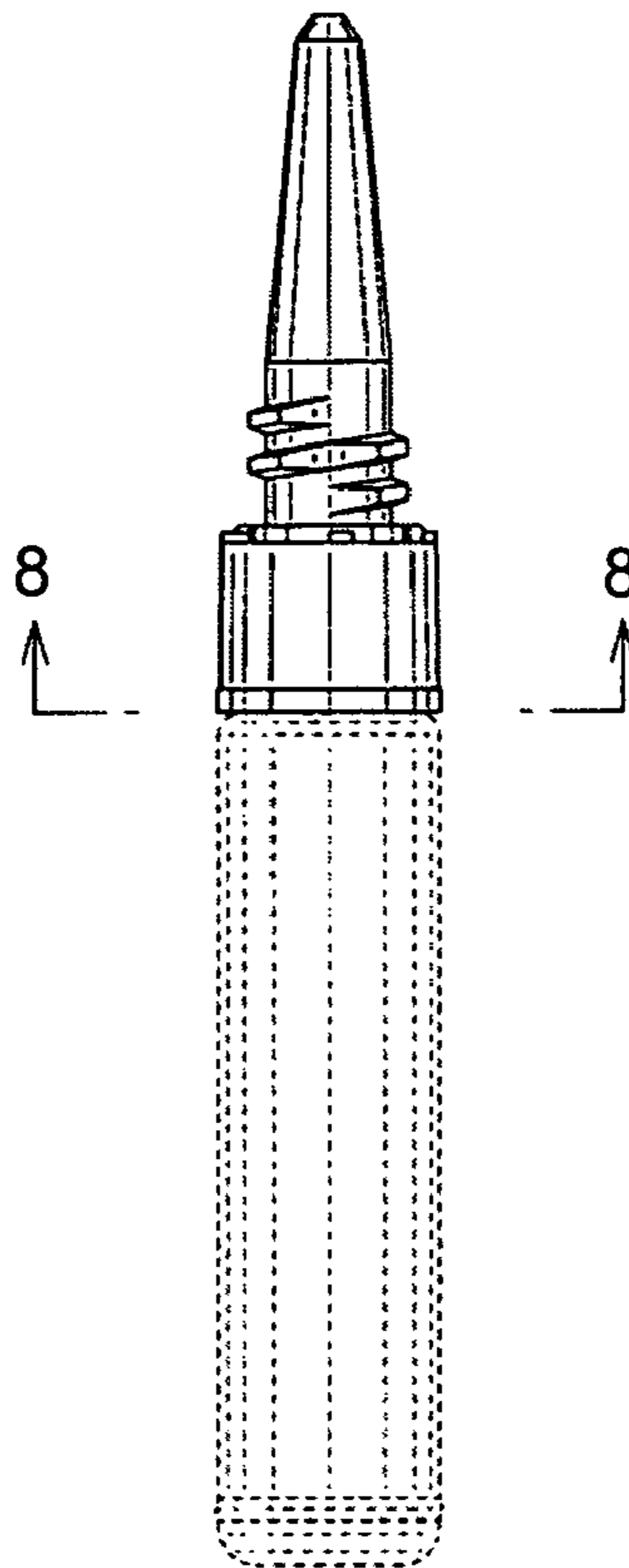


FIG. 3

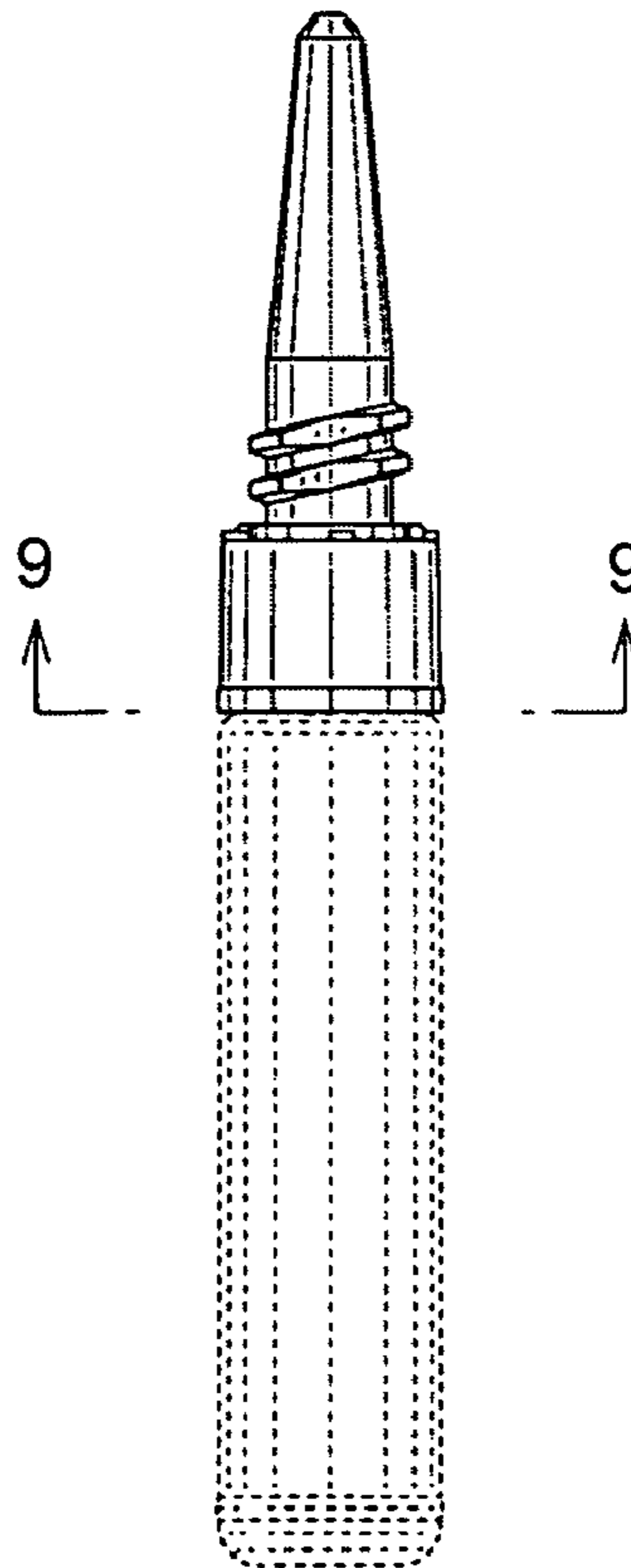


FIG. 4

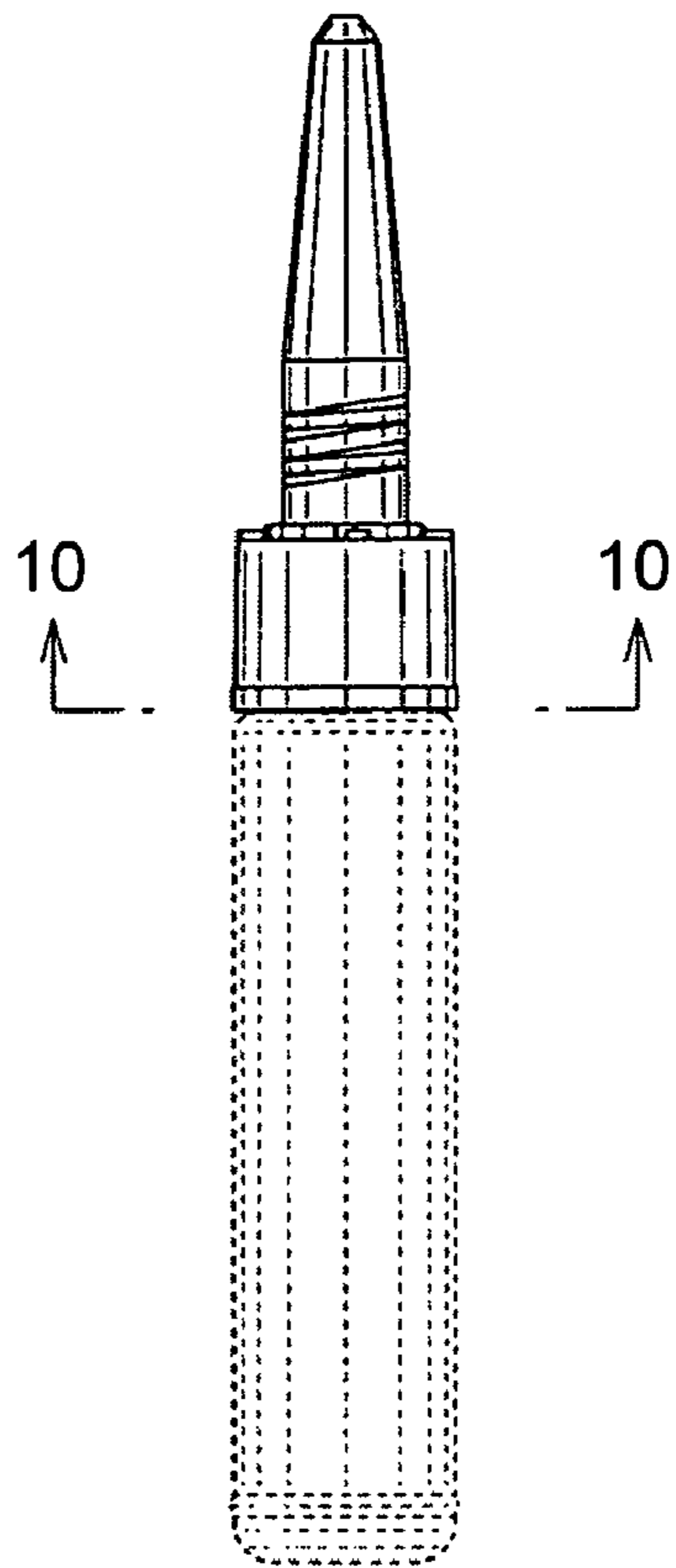
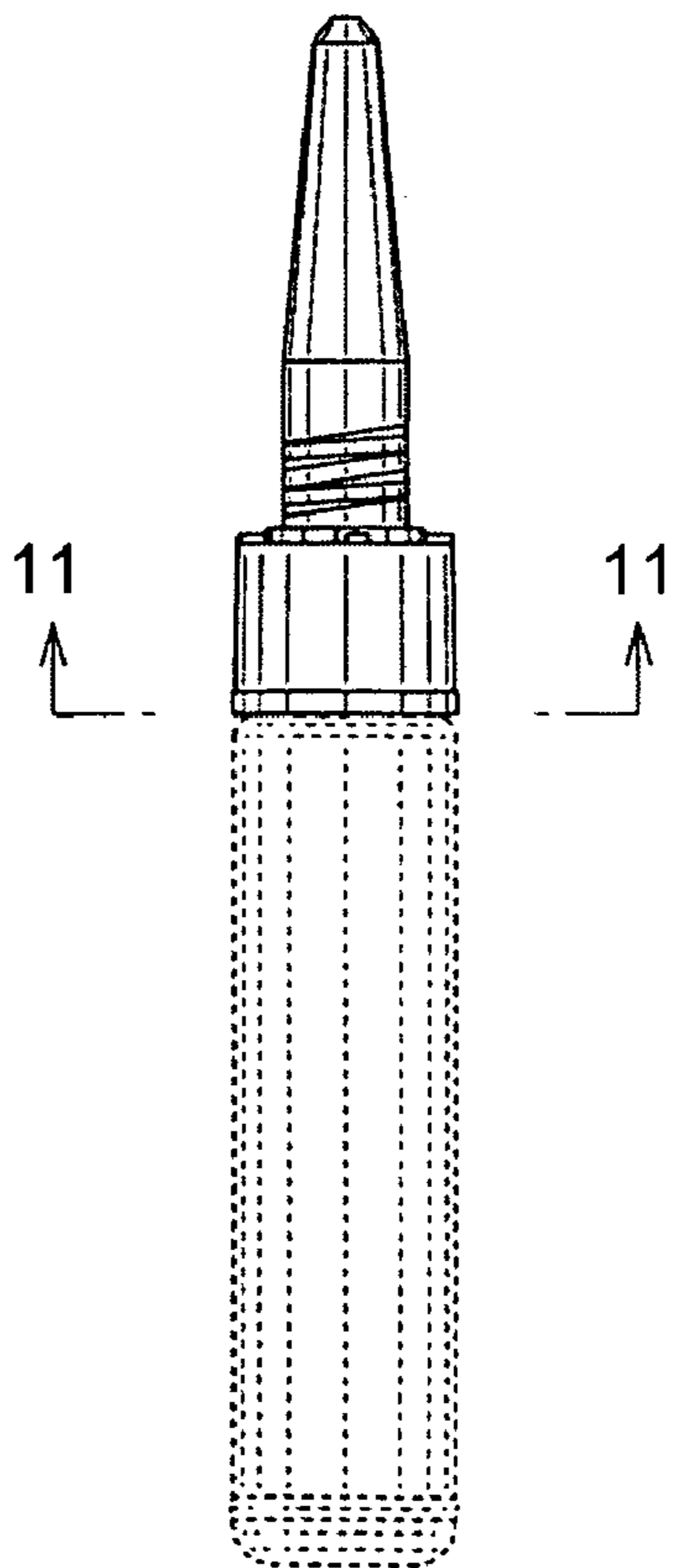


FIG. 5



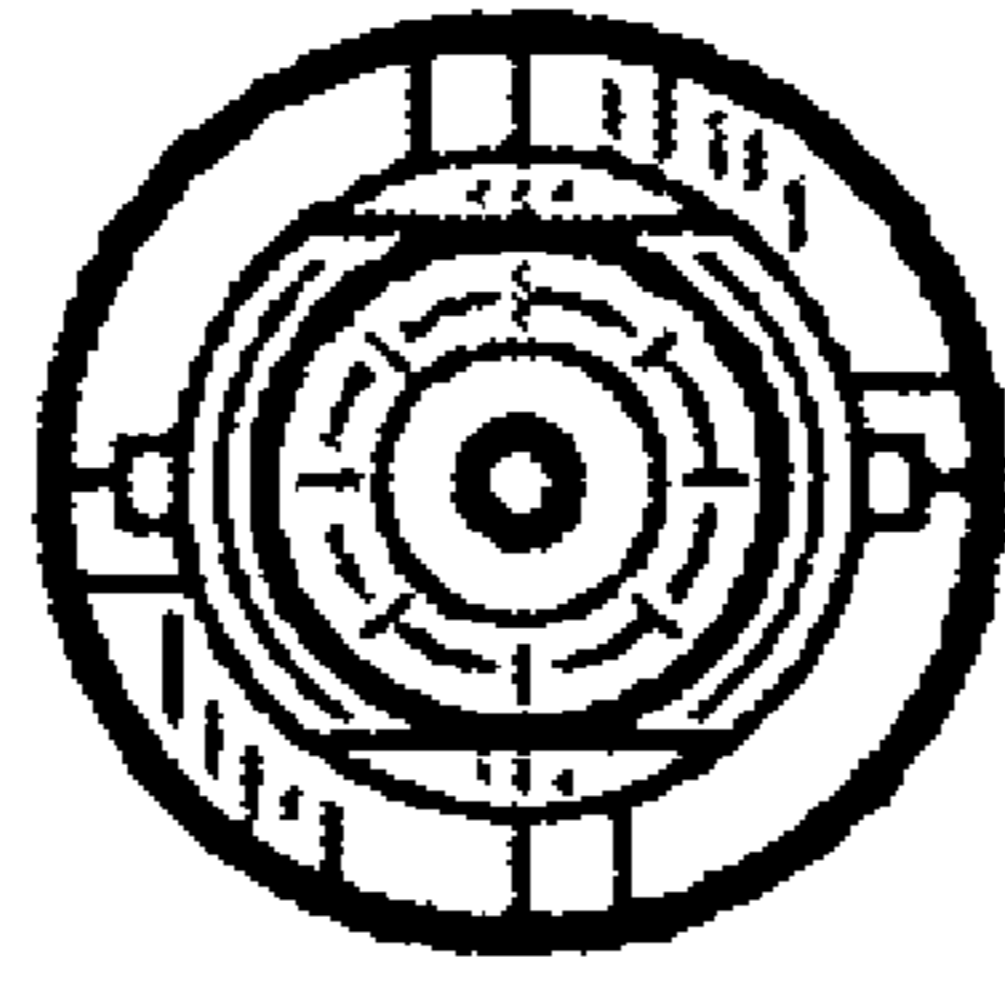


FIG. 6

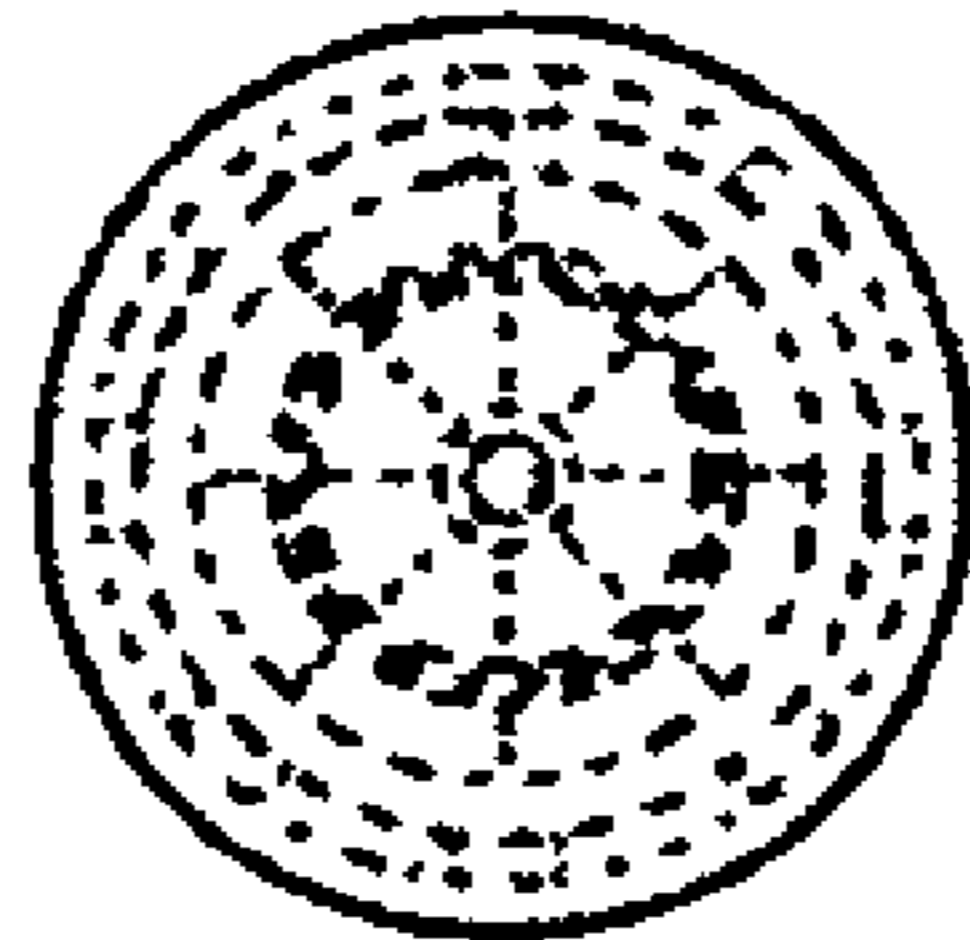


FIG. 7

FIG. 8

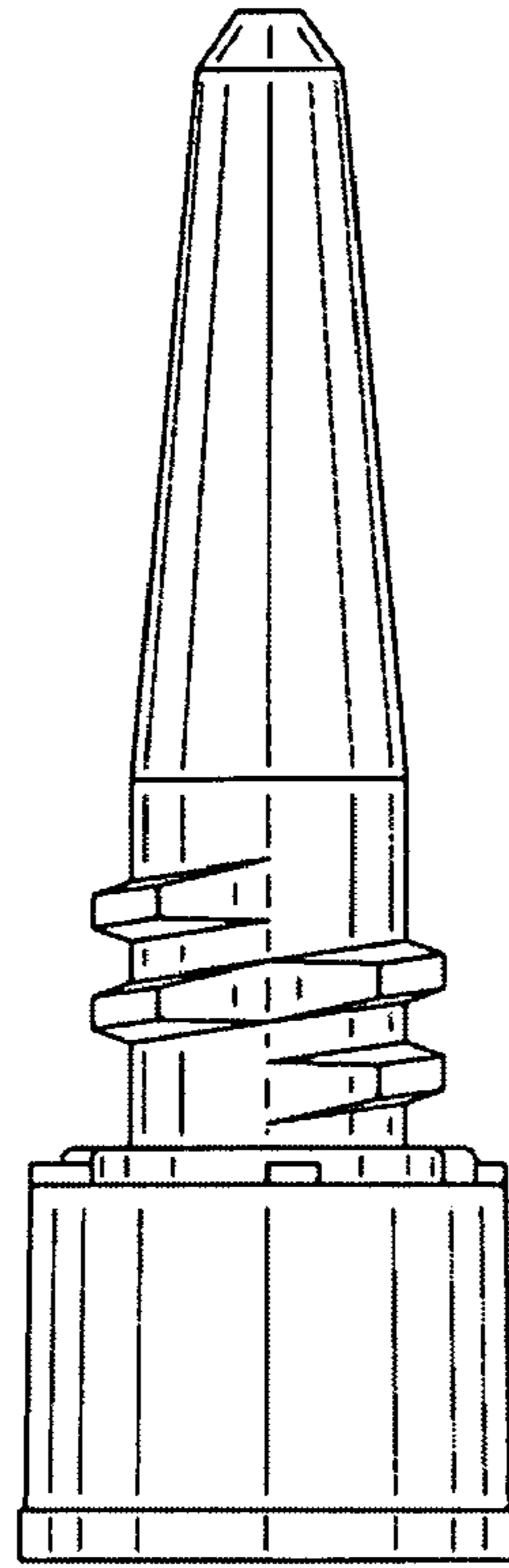


FIG. 9

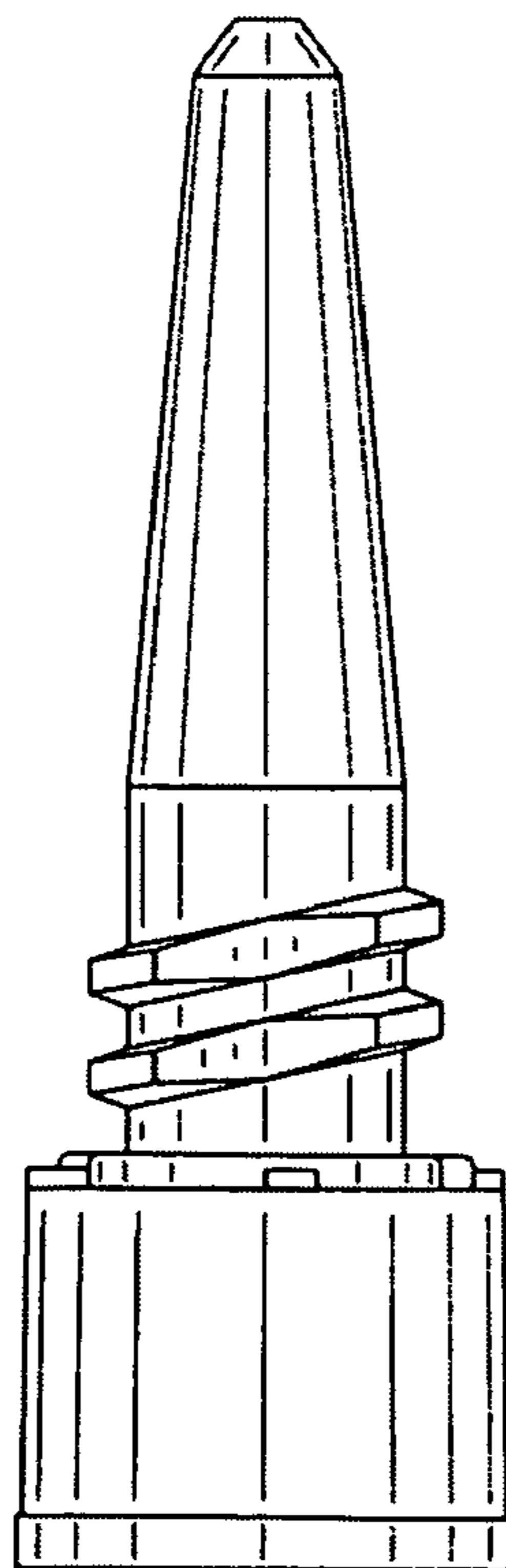


FIG. 10

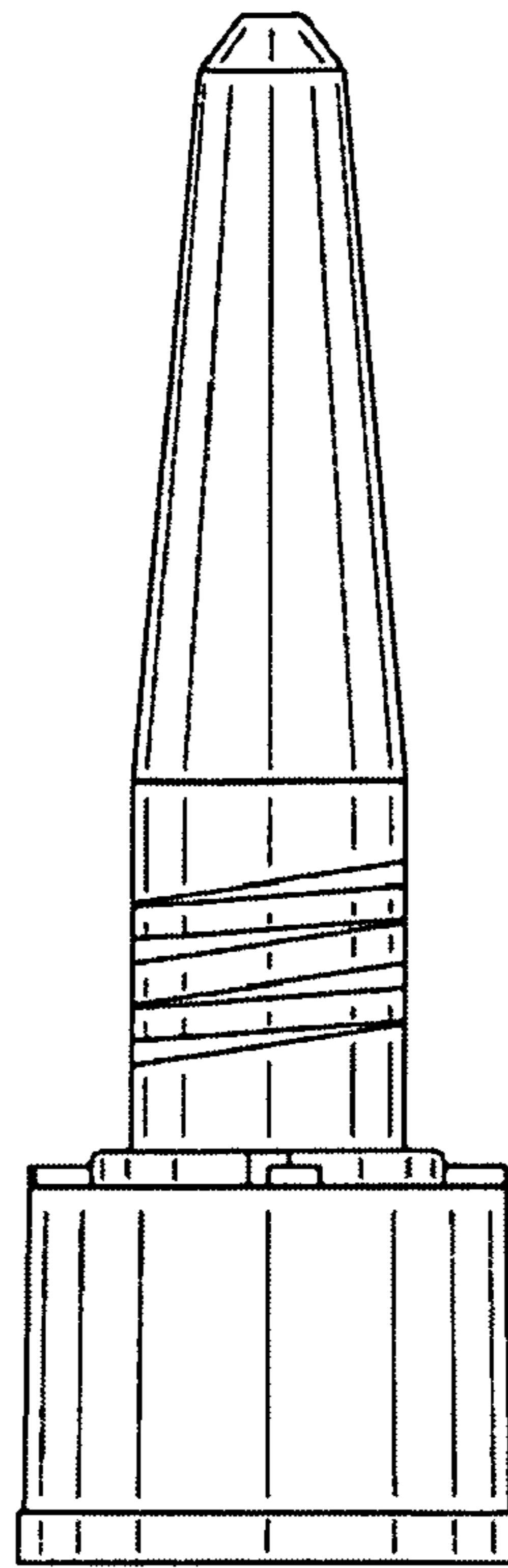
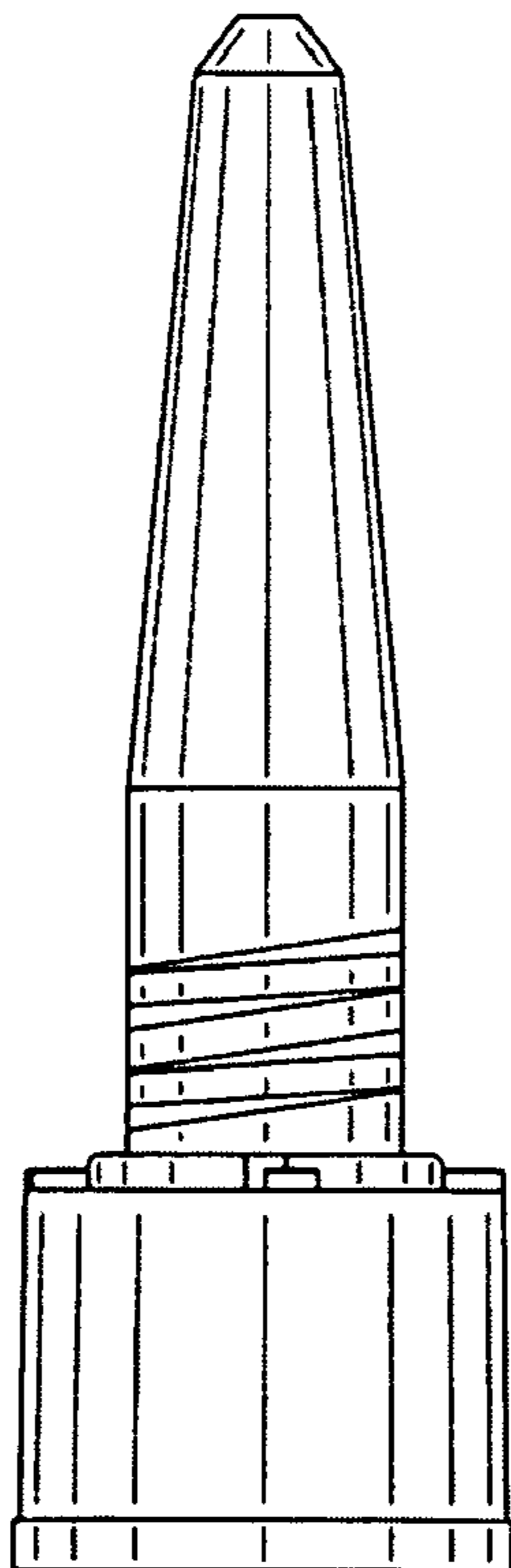


FIG. 11



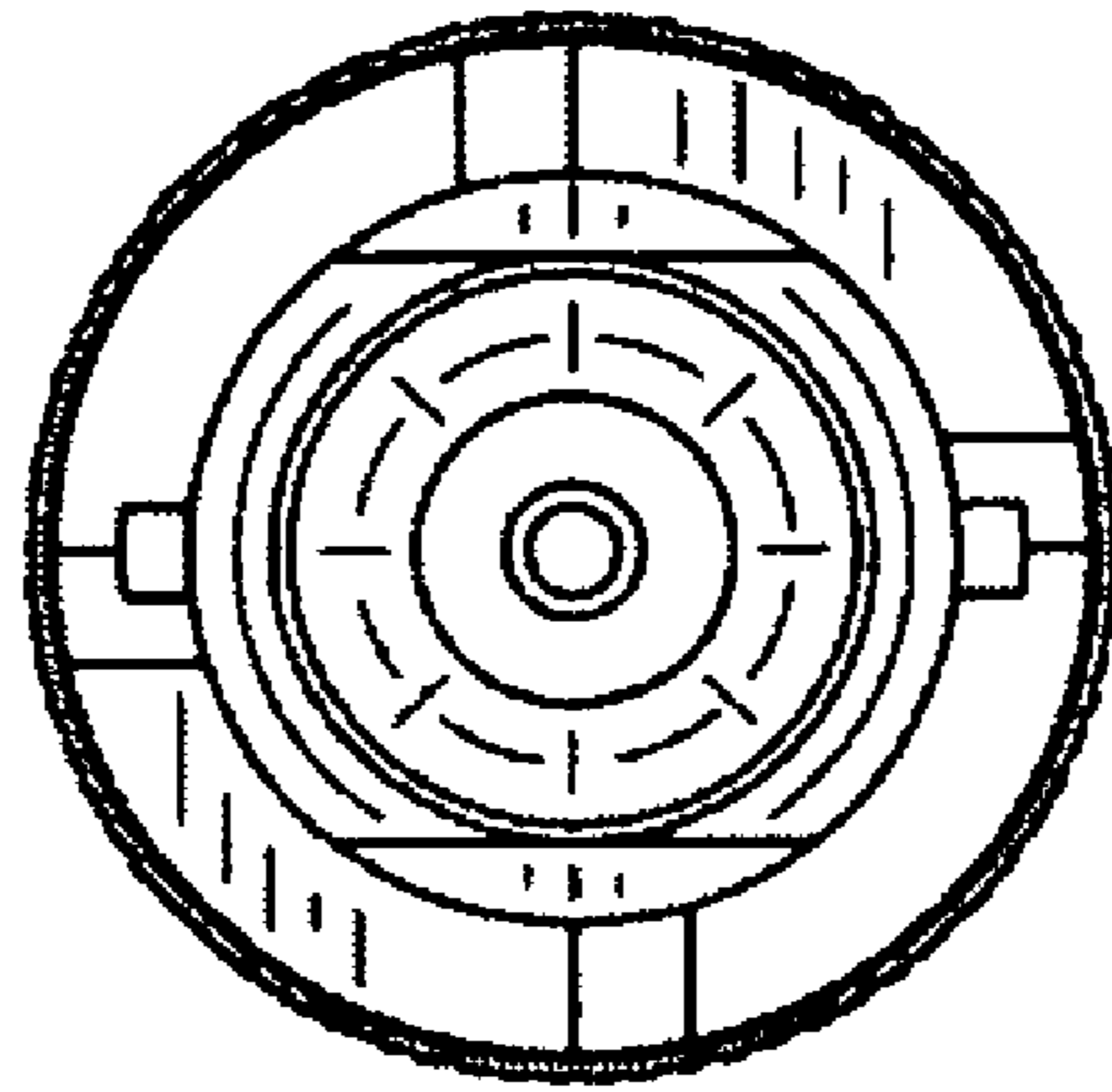


FIG. 12

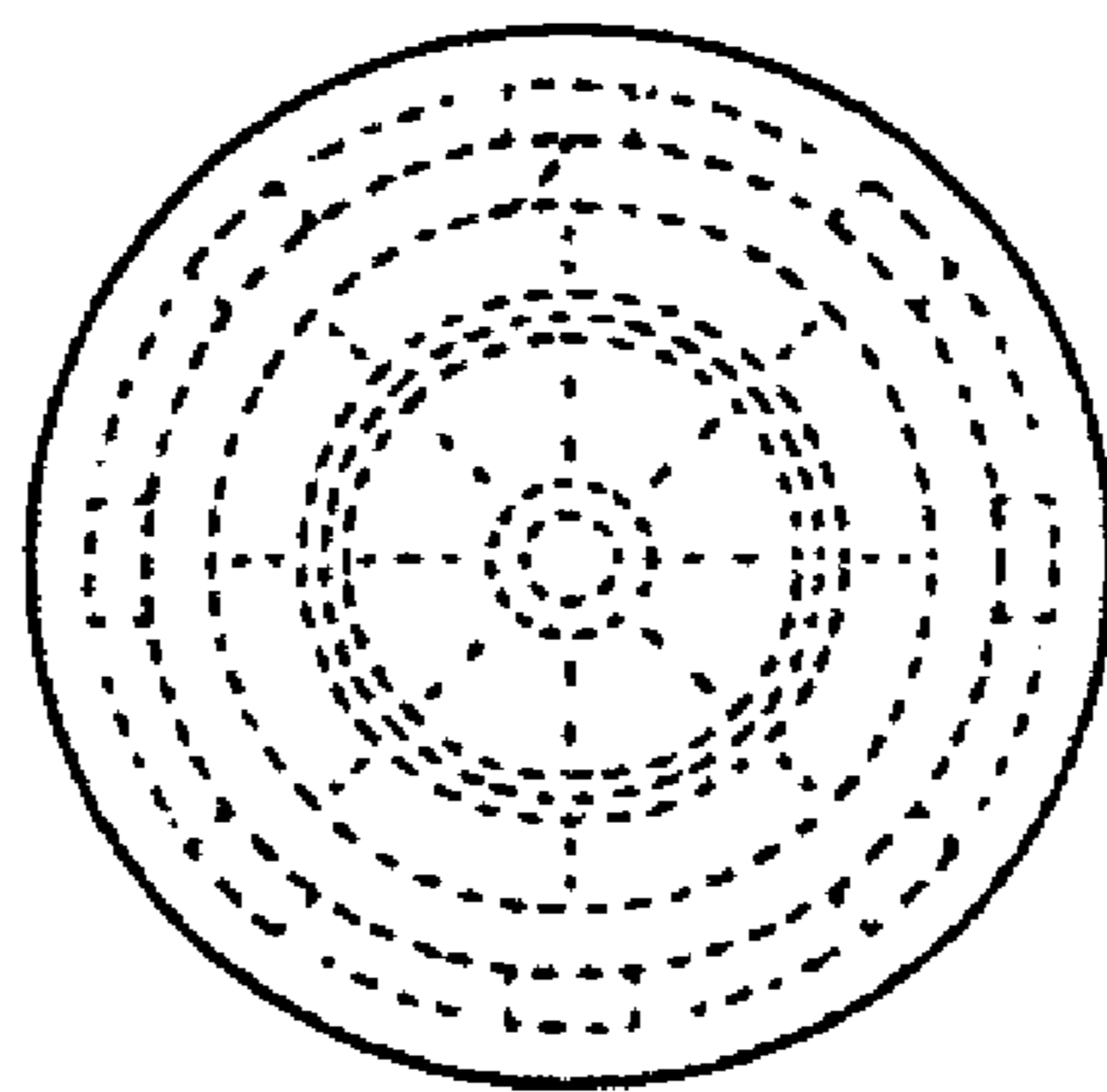


FIG. 13