



US00D633378S

(12) **United States Design Patent**
Chan

(10) **Patent No.:** **US D633,378 S**
(45) **Date of Patent:** **** Mar. 1, 2011**

(54) **CORD LOCK**

D615,391 S * 5/2010 Kawaguchi D8/383

(75) Inventor: **Man Chan**, Hong Kong (HK)

* cited by examiner

(73) Assignee: **NIFCO (HK) Ltd.**, Tai Po, N.T. HK
(CN)

Primary Examiner—Holly H Baynham
Assistant Examiner—Sheryl Lane
(74) *Attorney, Agent, or Firm*—Cook Alex Ltd

(**) Term: **14 Years**

(21) Appl. No.: **29/353,079**

(22) Filed: **Dec. 31, 2009**

(57) **CLAIM**

The ornamental design for a cord lock, as shown and described.

(30) **Foreign Application Priority Data**

DESCRIPTION

Jul. 2, 2009 (CN) 2009 3 0188251

FIG. 1 is a front elevation view of a cord lock according to my new design;

(51) **LOC (9) Cl.** **08-08**

FIG. 2 is a rear elevational view thereof;

(52) **U.S. Cl.** **D8/383**

FIG. 3 is a top plan view thereof;

(58) **Field of Classification Search** D8/383,
D8/356; 24/115 G, 112, 115 R, 136 R, 115 M
See application file for complete search history.

FIG. 4 is a bottom plan view thereof;

FIG. 5 is a left side elevational view thereof;

FIG. 6 is a right side elevational view thereof; and,

FIG. 7 is a front perspective view thereof.

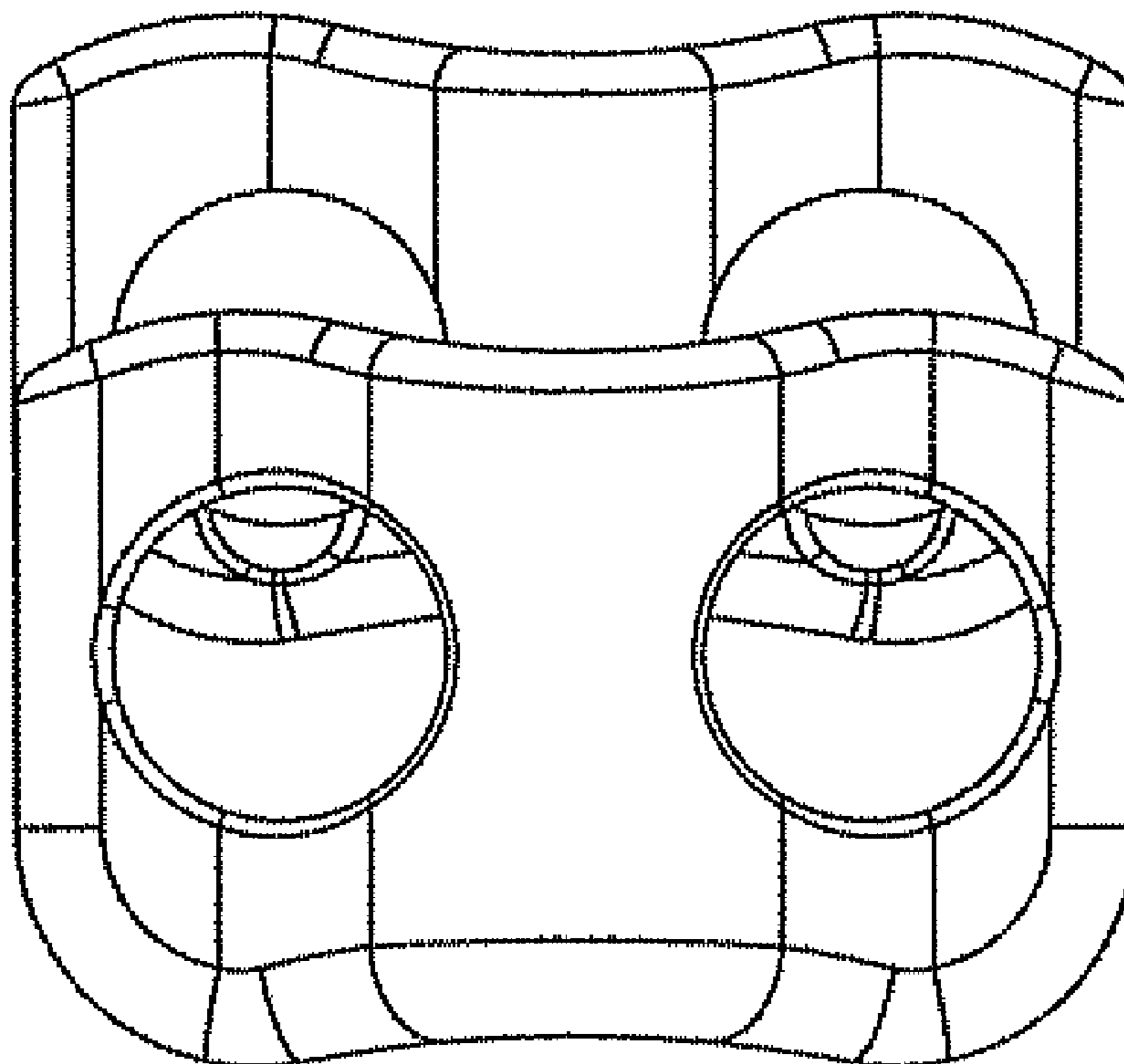
(56) **References Cited**

The spring shown in FIGS. 5-7 is shown for environmental and/or illustrative purposes only and forms no part of the claimed design.

U.S. PATENT DOCUMENTS

- D465,408 S * 11/2002 Man et al. D8/395
- D551,067 S * 9/2007 Kawamura D8/383
- D560,477 S * 1/2008 Yoshie et al. D8/383
- D560,478 S * 1/2008 Yoshie et al. D8/383
- D560,479 S * 1/2008 Yoshie et al. D8/383

1 Claim, 2 Drawing Sheets



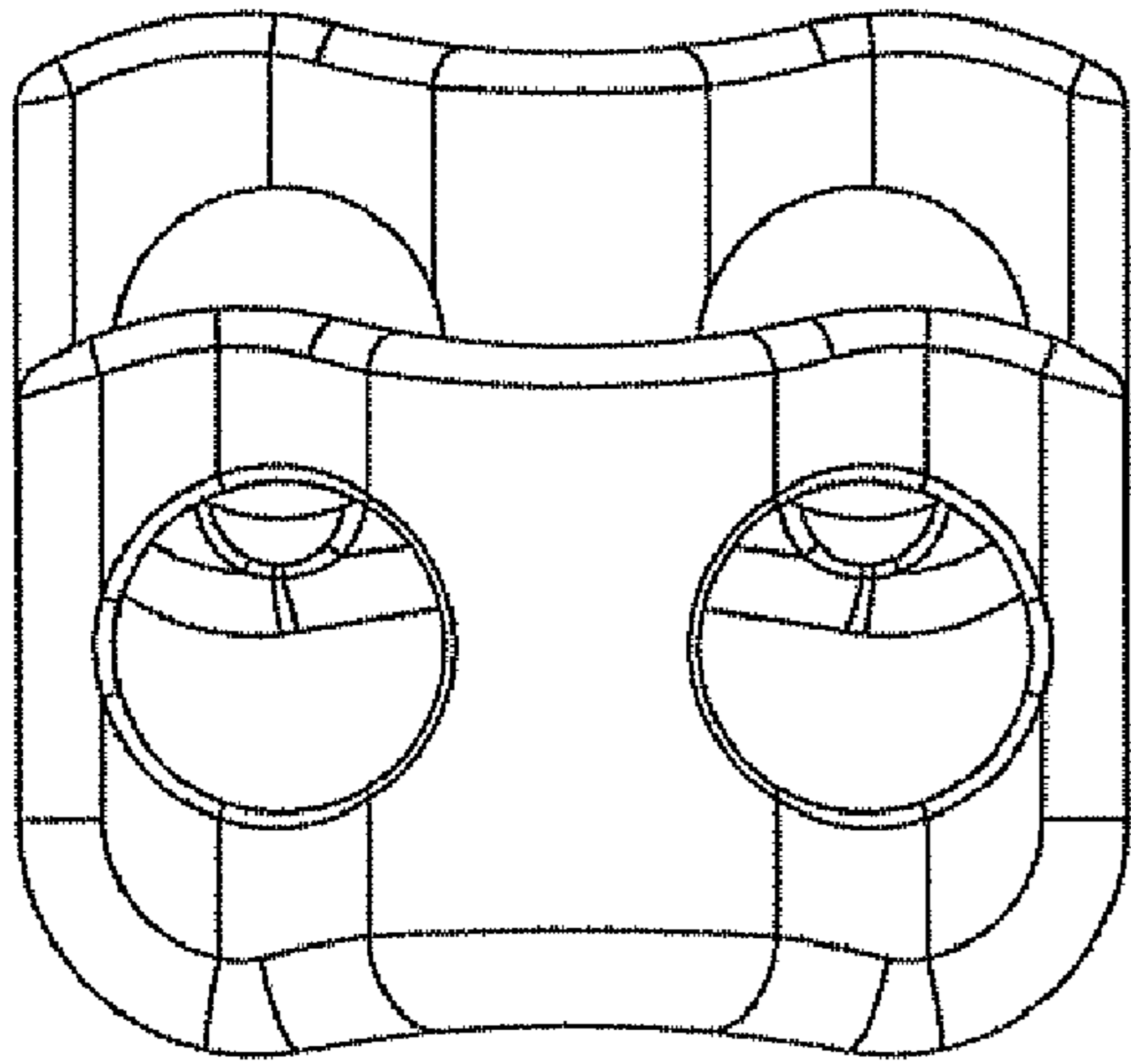


Fig 1

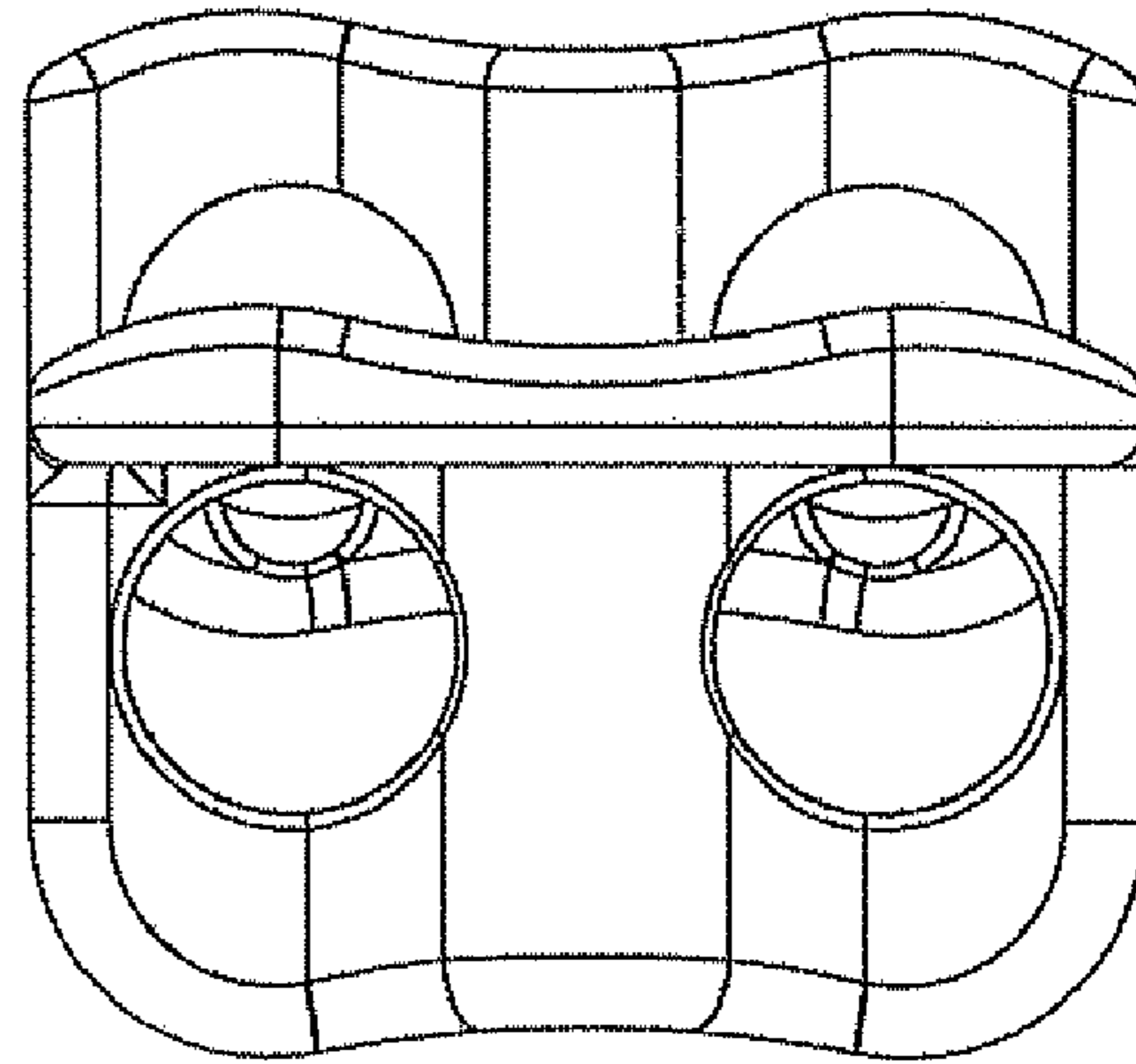


Fig 2

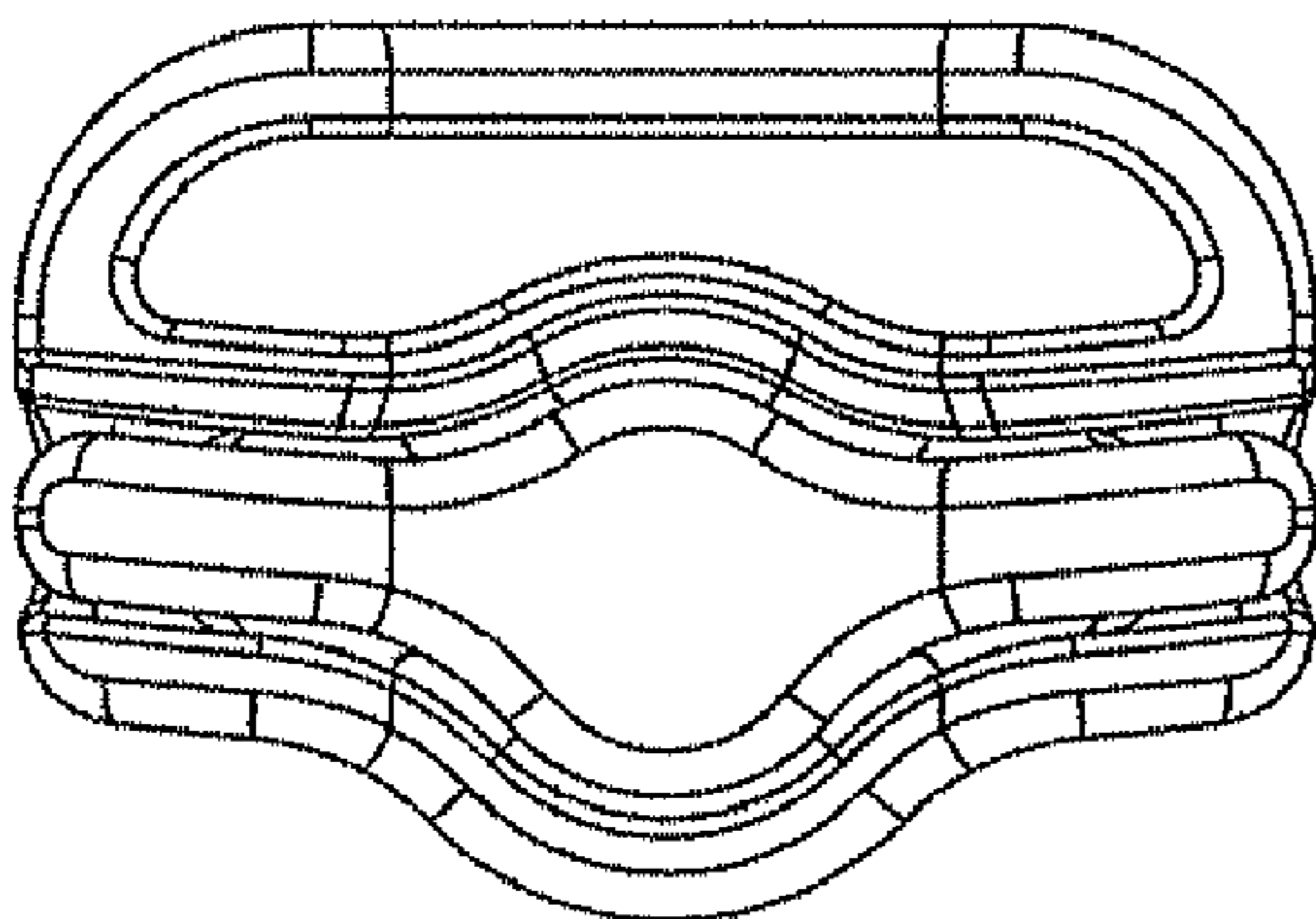


Fig 3

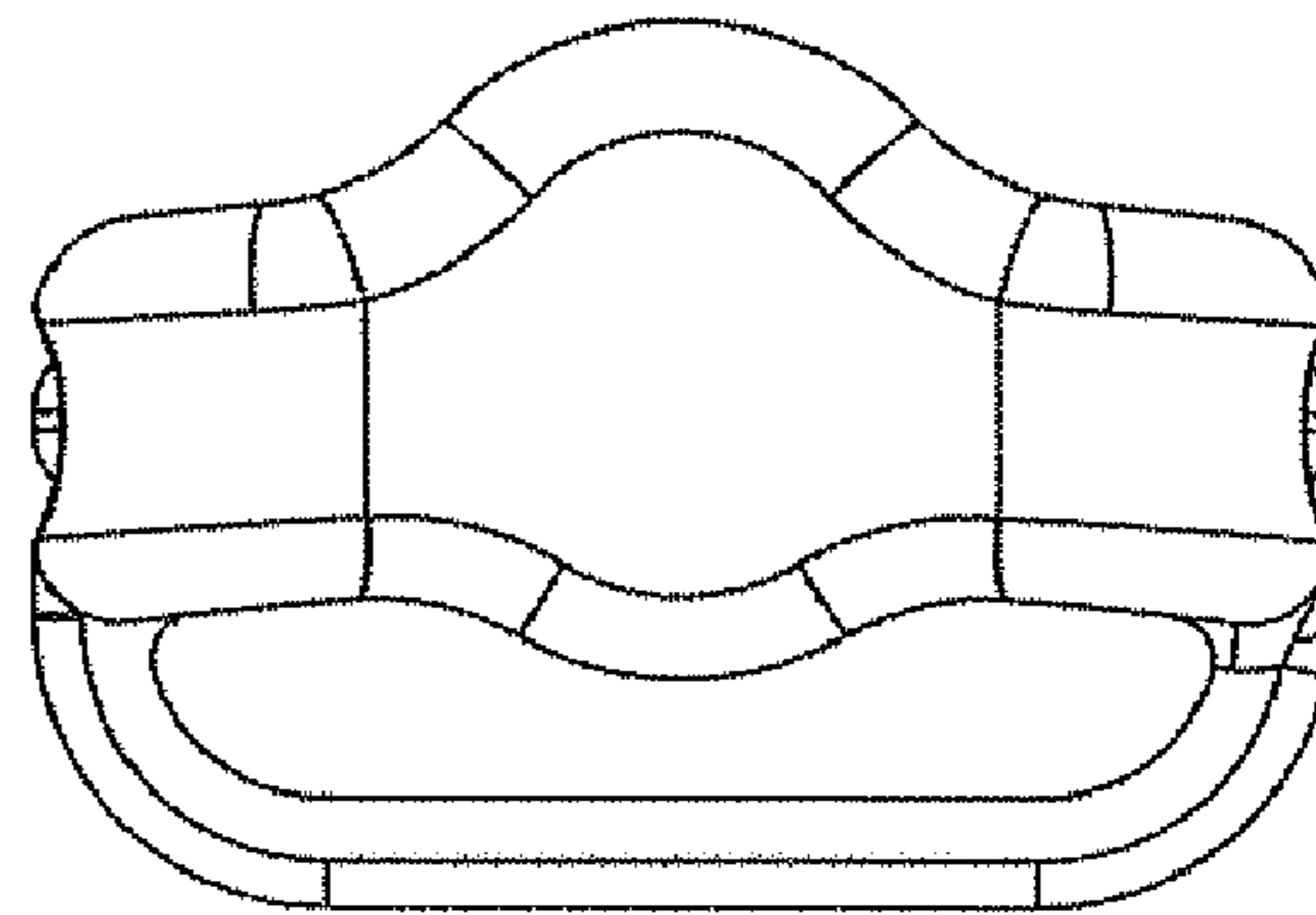


Fig 4

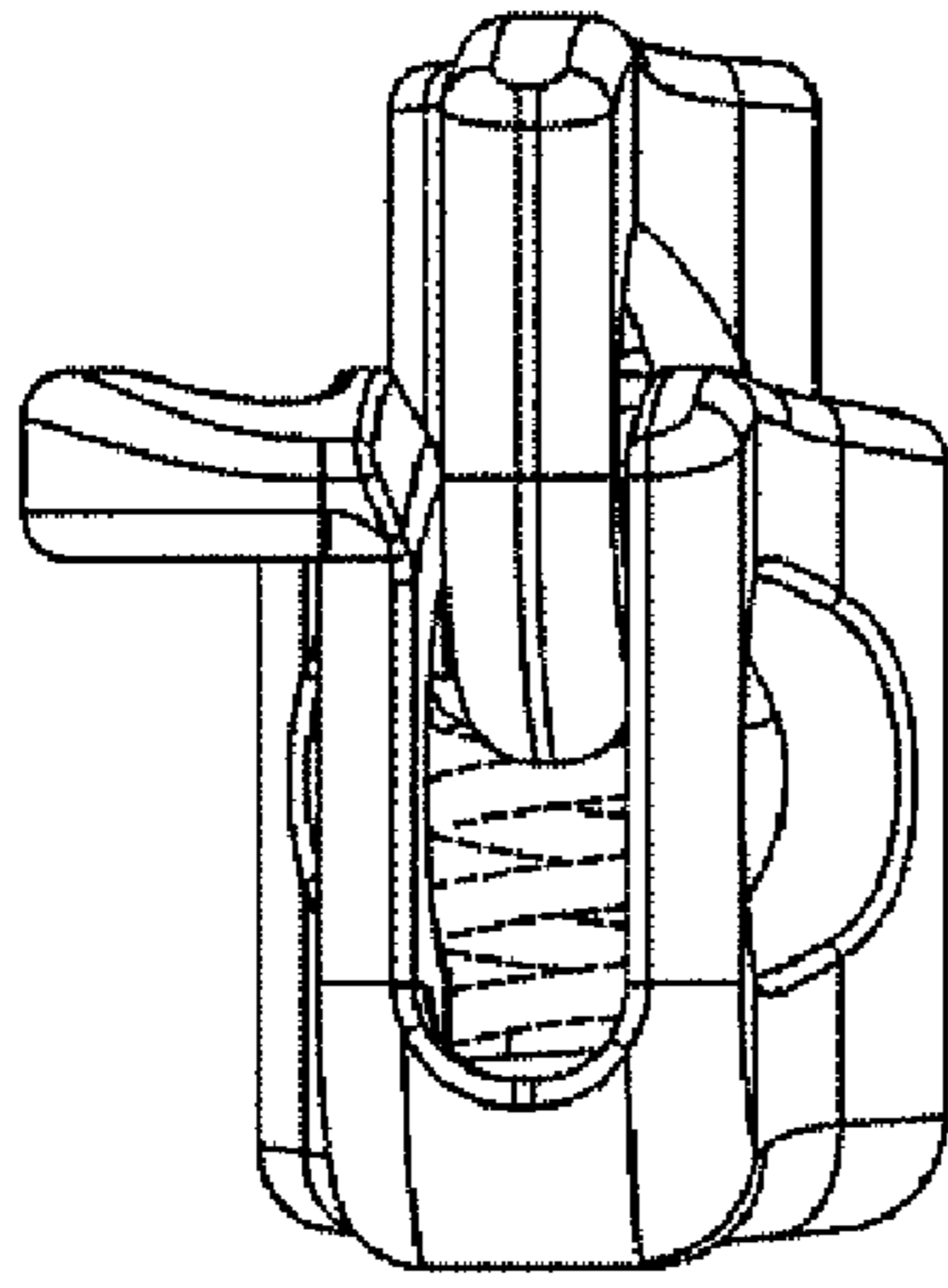


Fig 5

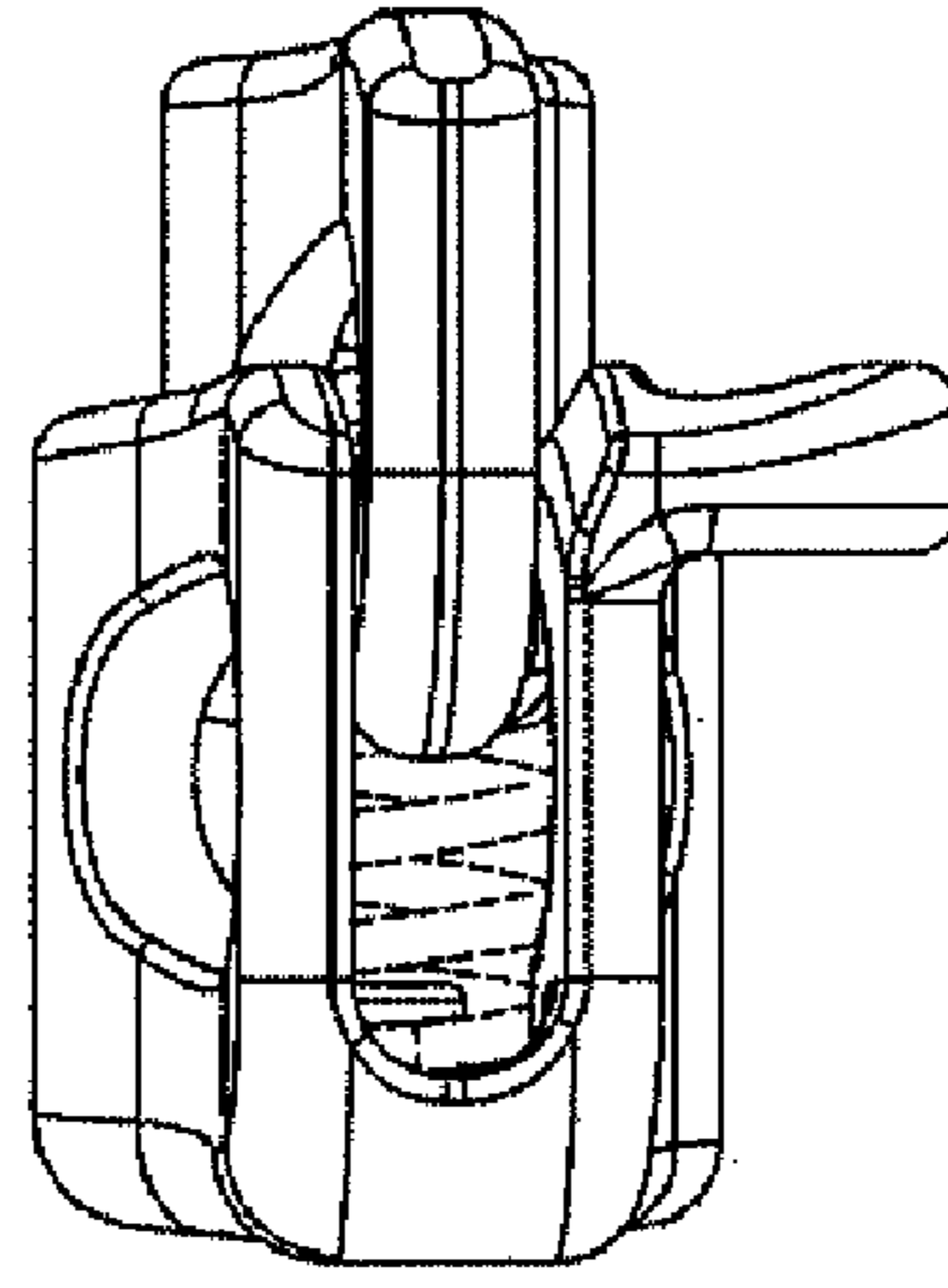


Fig 6

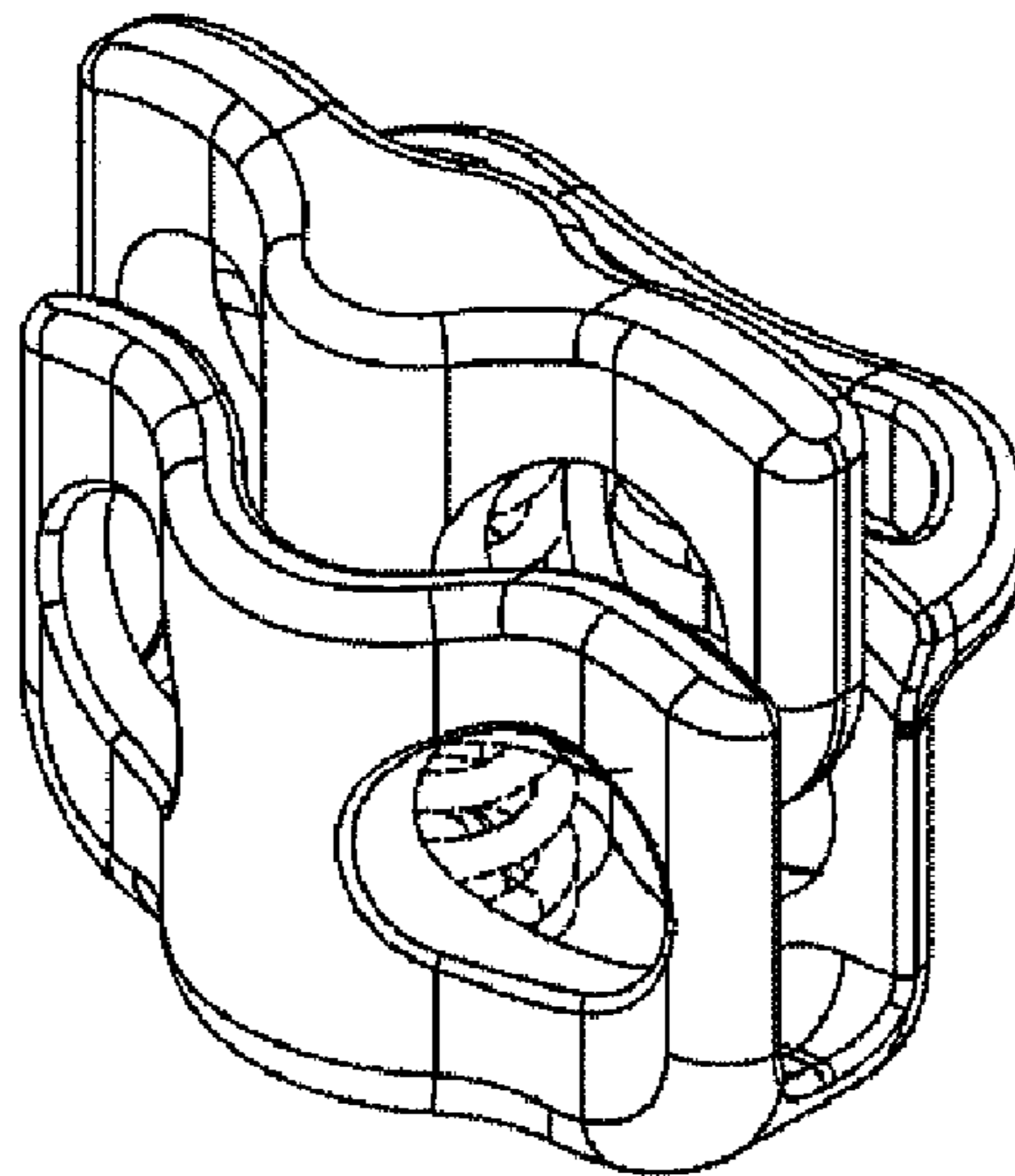


Fig 7