



US00D633376S

(12) **United States Design Patent**
Heath

(10) **Patent No.:** **US D633,376 S**

(45) **Date of Patent:** **** Mar. 1, 2011**

(54) **ROPE SECURING DEVICE**

(76) Inventor: **W. Tyler Heath**, Rayville, LA (US)

(**) Term: **14 Years**

(21) Appl. No.: **29/349,895**

(22) Filed: **May 18, 2010**

(51) **LOC (9) Cl.** **08-08**

(52) **U.S. Cl.** **D8/383**

(58) **Field of Classification Search** D8/382,
D8/349, 354, 383; D11/86; 411/508-510;
403/300, 345; 24/115 M, 136 R, 134, 134 B,
24/130; 114/218

See application file for complete search history.

(56) **References Cited**

U.S. PATENT DOCUMENTS

757,820	A	4/1904	Lykke	
1,164,270	A	12/1915	Donholt	
1,322,410	A	11/1919	Connelly	
1,426,537	A	8/1922	Bauer	
1,442,396	A *	1/1923	Goetz	24/68 R
4,266,498	A *	5/1981	Clark	114/218
4,719,668	A	1/1988	Cavanagh	24/68
D397,029	S *	8/1998	Preuss	D8/383
6,381,816	B1	5/2002	Lai et al.	24/712.9
D521,366	S *	5/2006	Polak et al.	D8/383
D556,033	S *	11/2007	Ennest et al.	D8/383

D572,099	S *	7/2008	Fontaine et al.	D8/44
7,406,751	B2	8/2008	Greer, Jr. et al.	24/130
7,490,387	B2 *	2/2009	Hillier	24/136 R
D600,107	S *	9/2009	Stewart et al.	D8/383
2008/0110000	A1	5/2008	Orr	24/130

* cited by examiner

Primary Examiner—Holly H Baynham

Assistant Examiner—Sheryl Lane

(74) *Attorney, Agent, or Firm*—John M. Harrison

(57) **CLAIM**

The ornamental design for a “rope securing device,” as shown and described.

DESCRIPTION

FIG. 1 is a front perspective view of the rope securing device, showing my new design;

FIG. 2 is a front view of the rope securing device;

FIG. 3 is a rear view thereof;

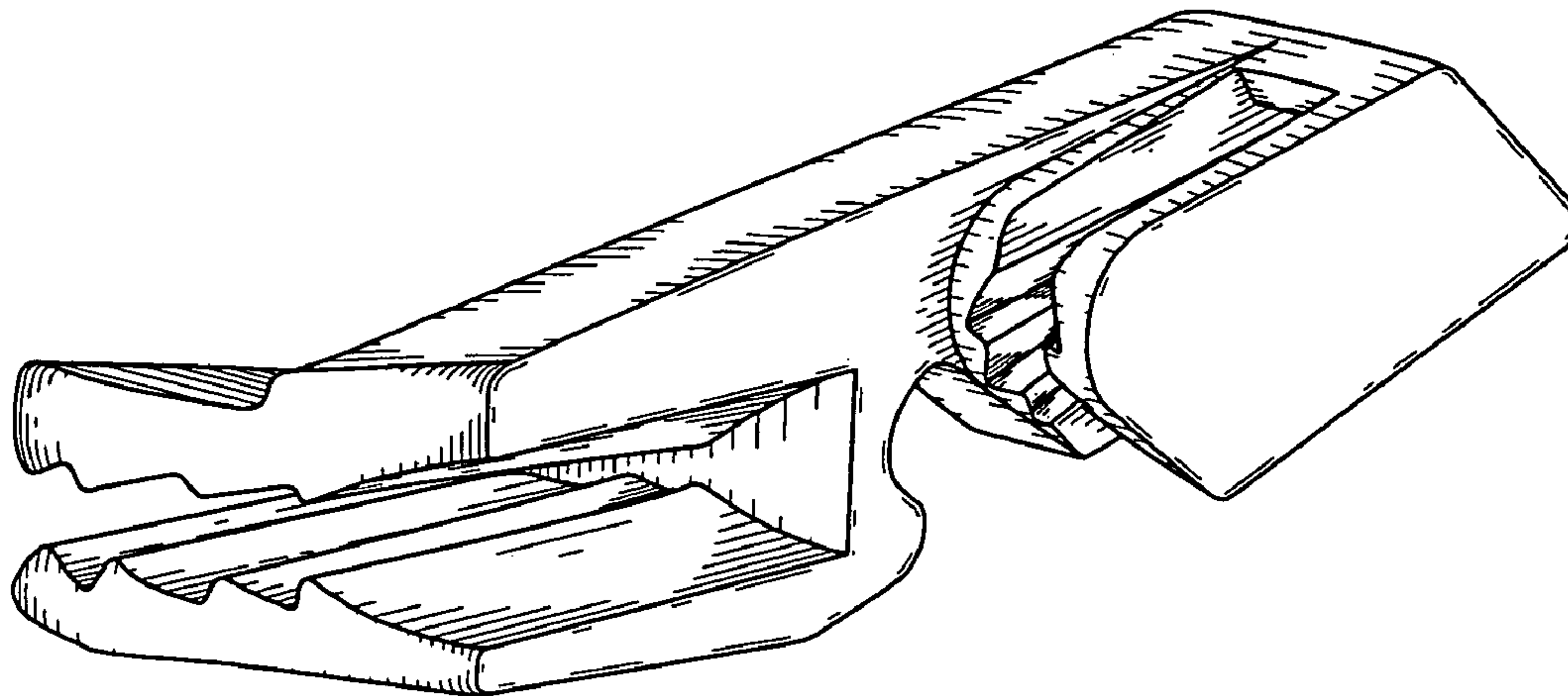
FIG. 4 is a left side view thereof;

FIG. 5 is a right side view thereof;

FIG. 6 is a top plan view thereof; and,

FIG. 7 is a bottom plan view of the rope securing device illustrated in FIGS. 1-6.

1 Claim, 3 Drawing Sheets



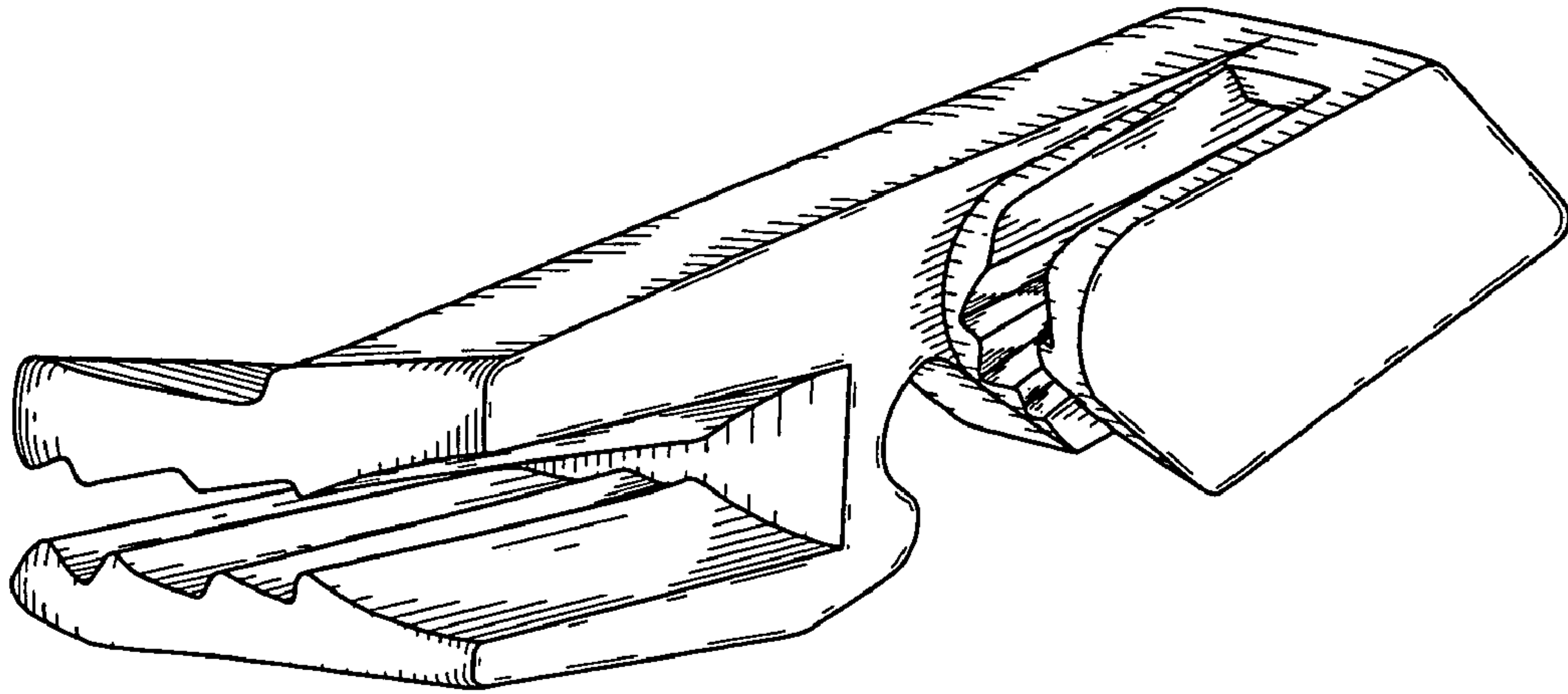


FIG. 1

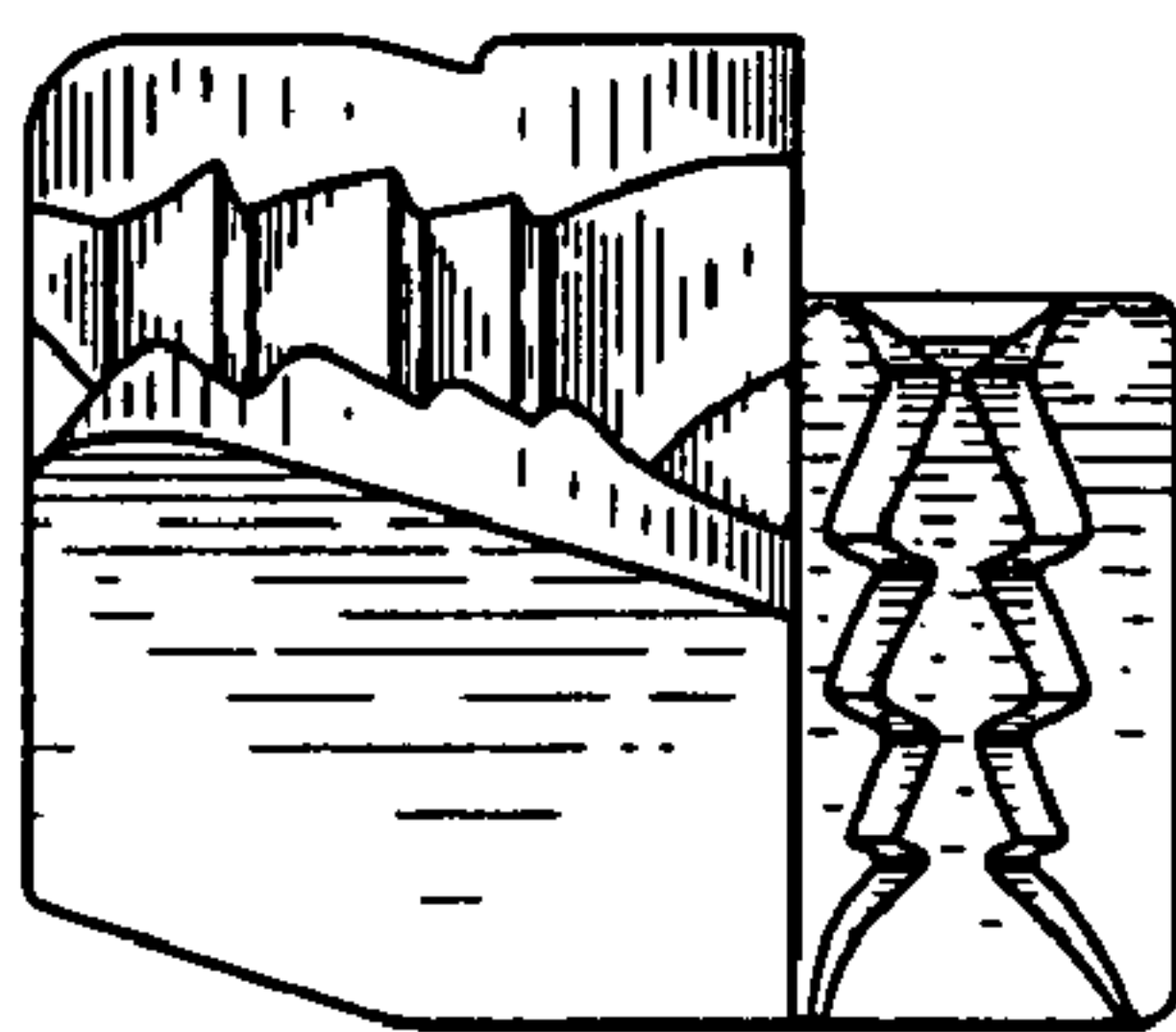


FIG. 2

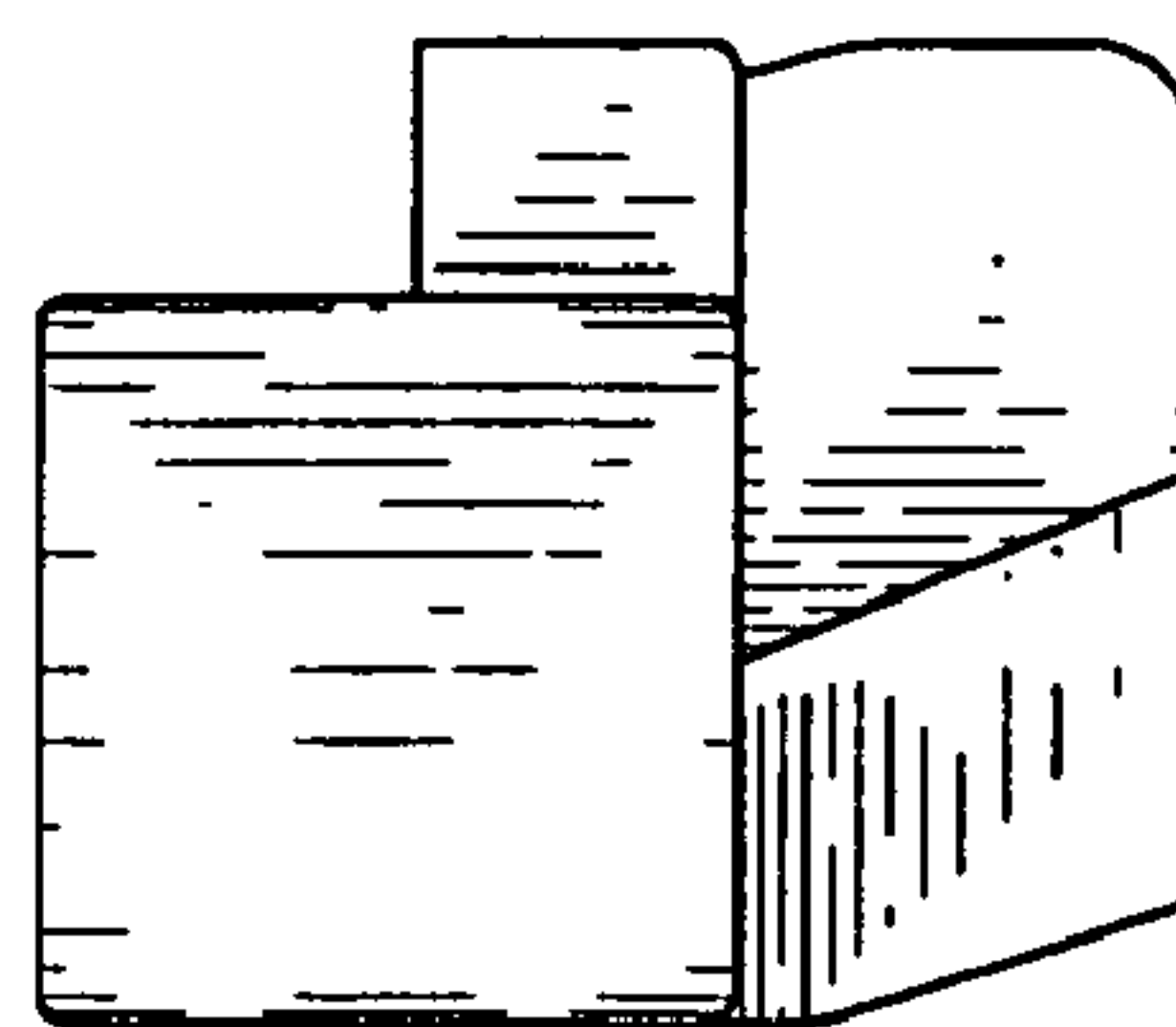


FIG. 3

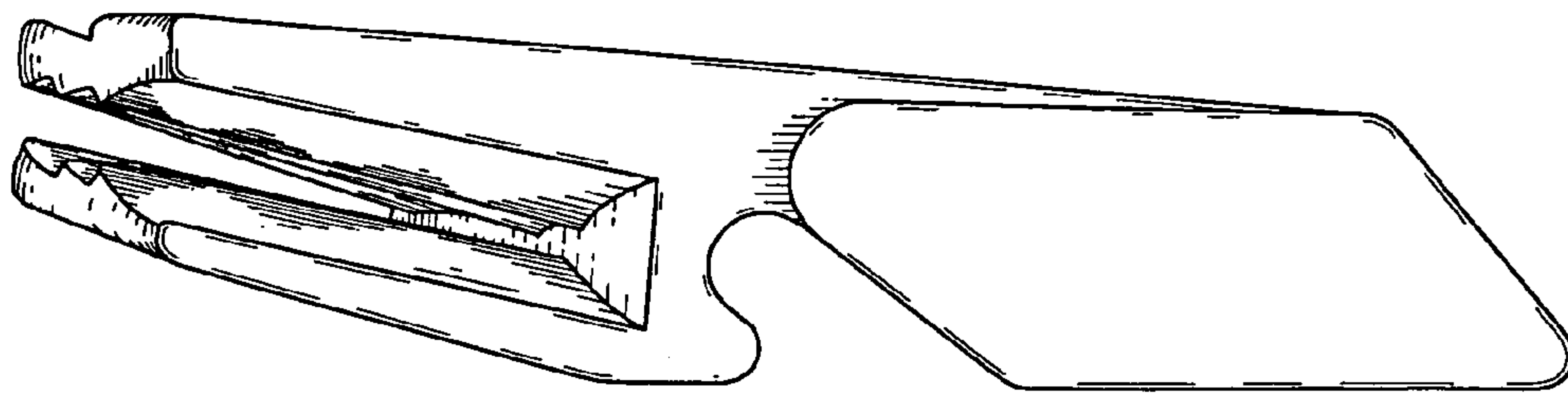


FIG. 4

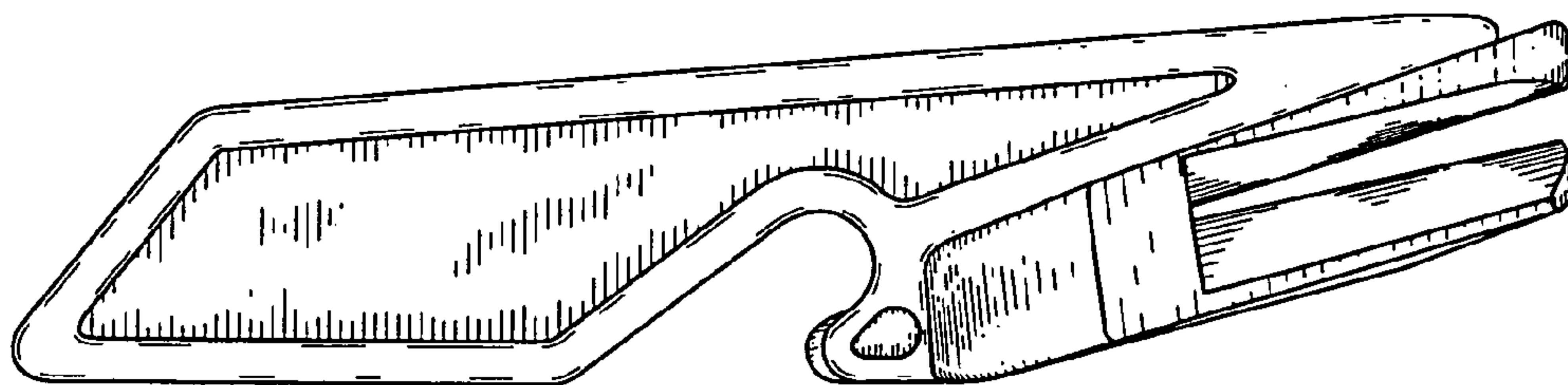


FIG. 5

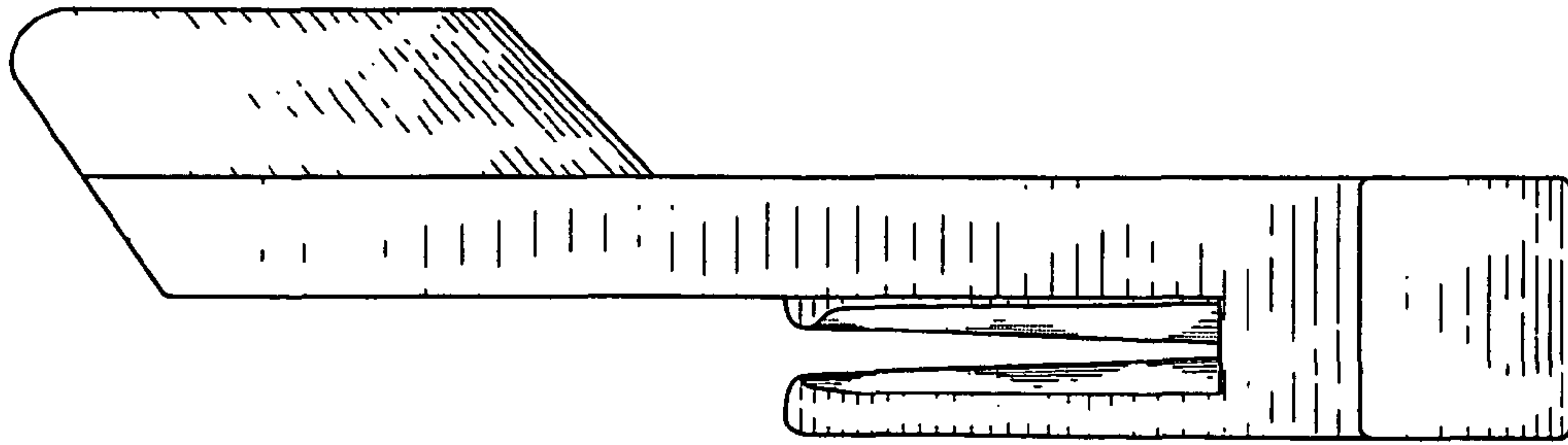


FIG. 6

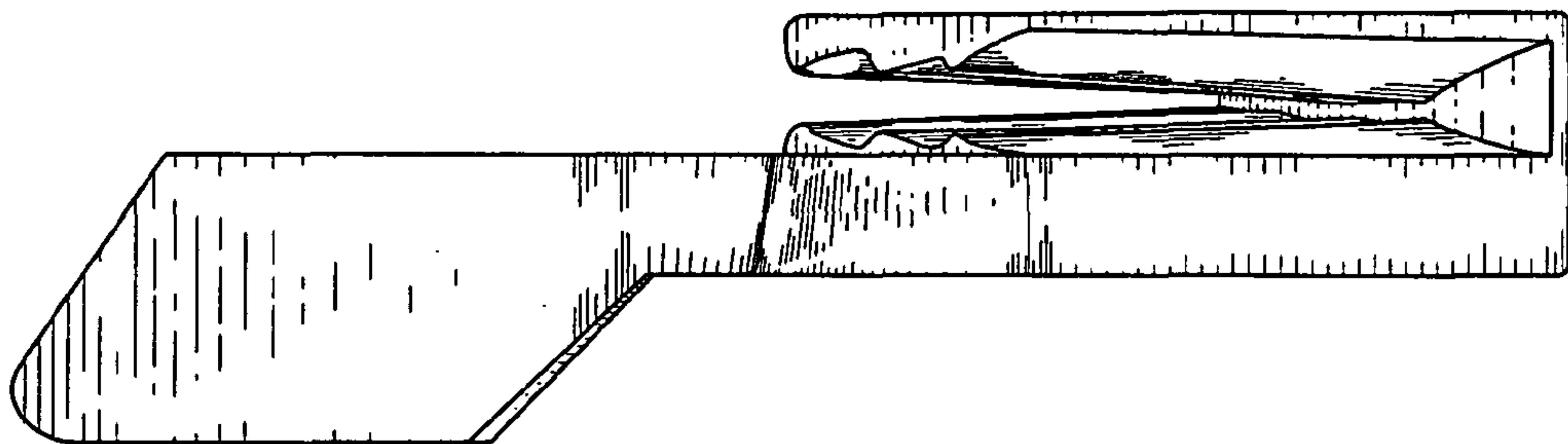


FIG. 7