



(12) **United States Design Patent**
Jablonka

(10) **Patent No.:** **US D633,375 S**
(45) **Date of Patent:** **** Mar. 1, 2011**

(54) **T-FASTENER**

(57) **CLAIM**

(75) Inventor: **Marcus Jablonka**, Vineland (CA)

The ornamental design for a T-fastener, as shown.

(73) Assignee: **Ewald Doerken AG**, Herdecke (DE)

(**) Term: **14 Years**

DESCRIPTION

(21) Appl. No.: **29/337,685**

FIG. 1 is a perspective view of the back side of the “T-fastener” of the present invention;

(22) Filed: **May 28, 2009**

FIG. 2 is an alternate perspective view of the back side of the “T-fastener” of the present invention;

(51) **LOC (9) Cl.** **08-08**

FIG. 3 is a perspective view of the front side of the “T-fastener” of the present invention;

(52) **U.S. Cl.** **D8/382**

FIG. 4 is an alternate perspective view of the front side of the “T-fastener” of the present invention;

(58) **Field of Classification Search** D8/373,
D8/354, 356, 349, 384, 382; D21/487; 248/200,
248/300, 27.1; 52/293.3, 701, 712, 714
See application file for complete search history.

FIG. 5 is a perspective view of the top of the back side of the present invention;

(56) **References Cited**

FIG. 6 is a perspective view of the top of the front side of the present invention;

U.S. PATENT DOCUMENTS

FIG. 7 is a perspective view of the side of the “T-fastener” of the present invention;

- D312,205 S * 11/1990 de Rooij D8/373
- D480,948 S * 10/2003 Patrizzi et al. D8/373
- 7,735,785 B2 * 6/2010 Wippler et al. 248/27.1

FIG. 8 is an opposite perspective view of the side of the “T-fastener” of the present invention; and,

* cited by examiner

FIG. 9 is a perspective view of the side of the “T-fastener” of the present invention.

Primary Examiner—Holly H Baynham

1 Claim, 9 Drawing Sheets

Assistant Examiner—Sheryl Lane

(74) *Attorney, Agent, or Firm*—Bachman & LaPointe, P.C.

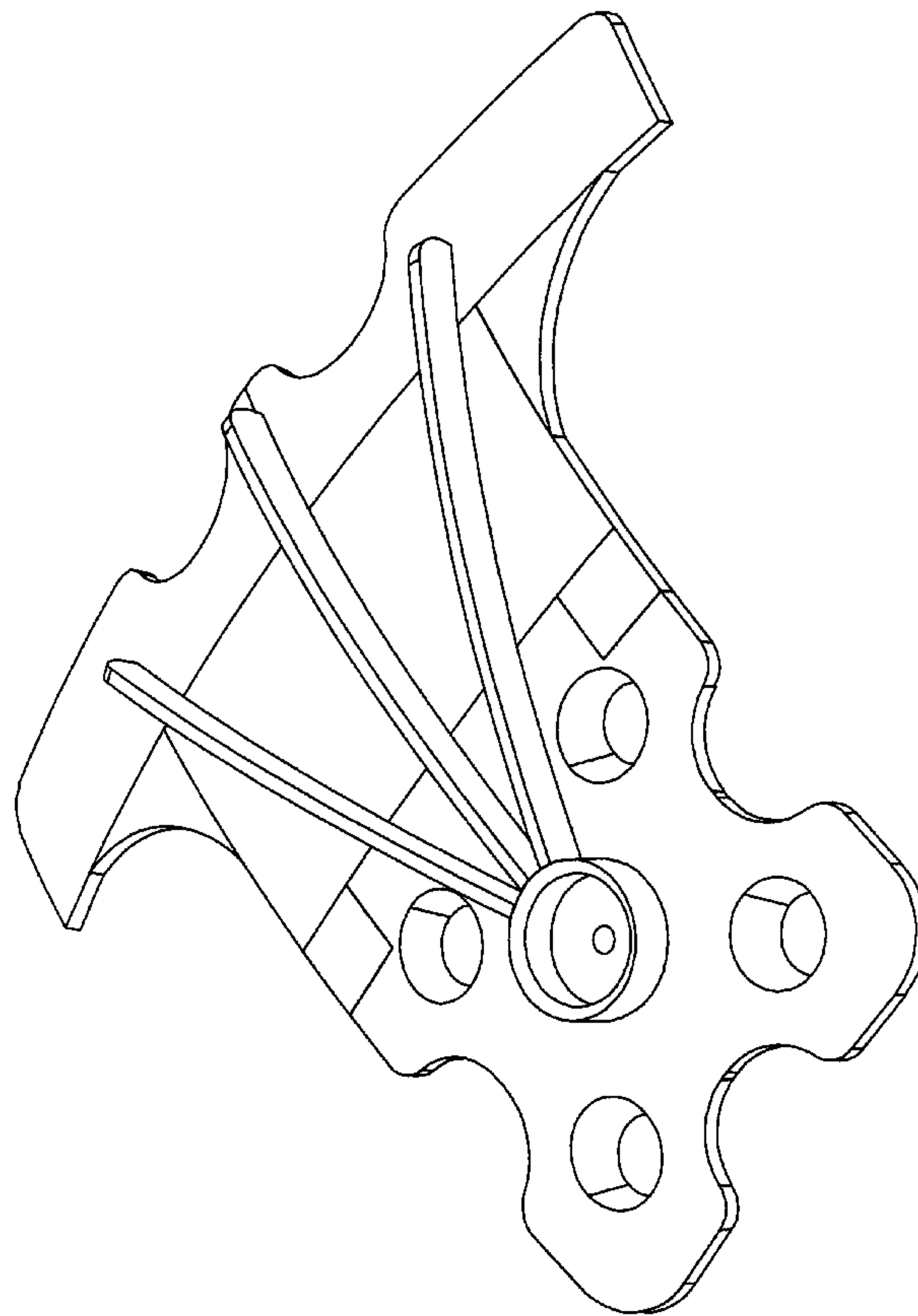


FIG. 1

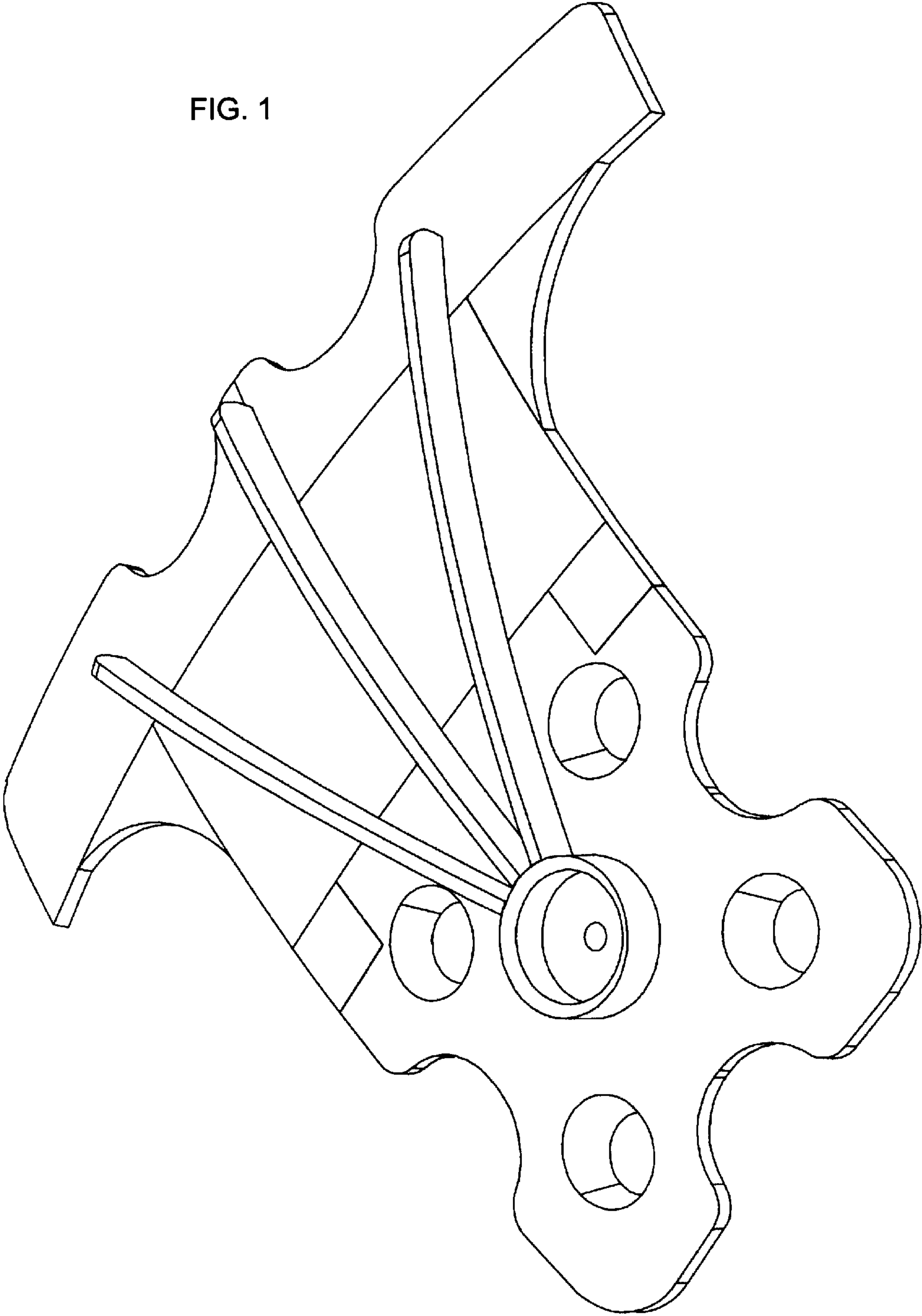


FIG. 2

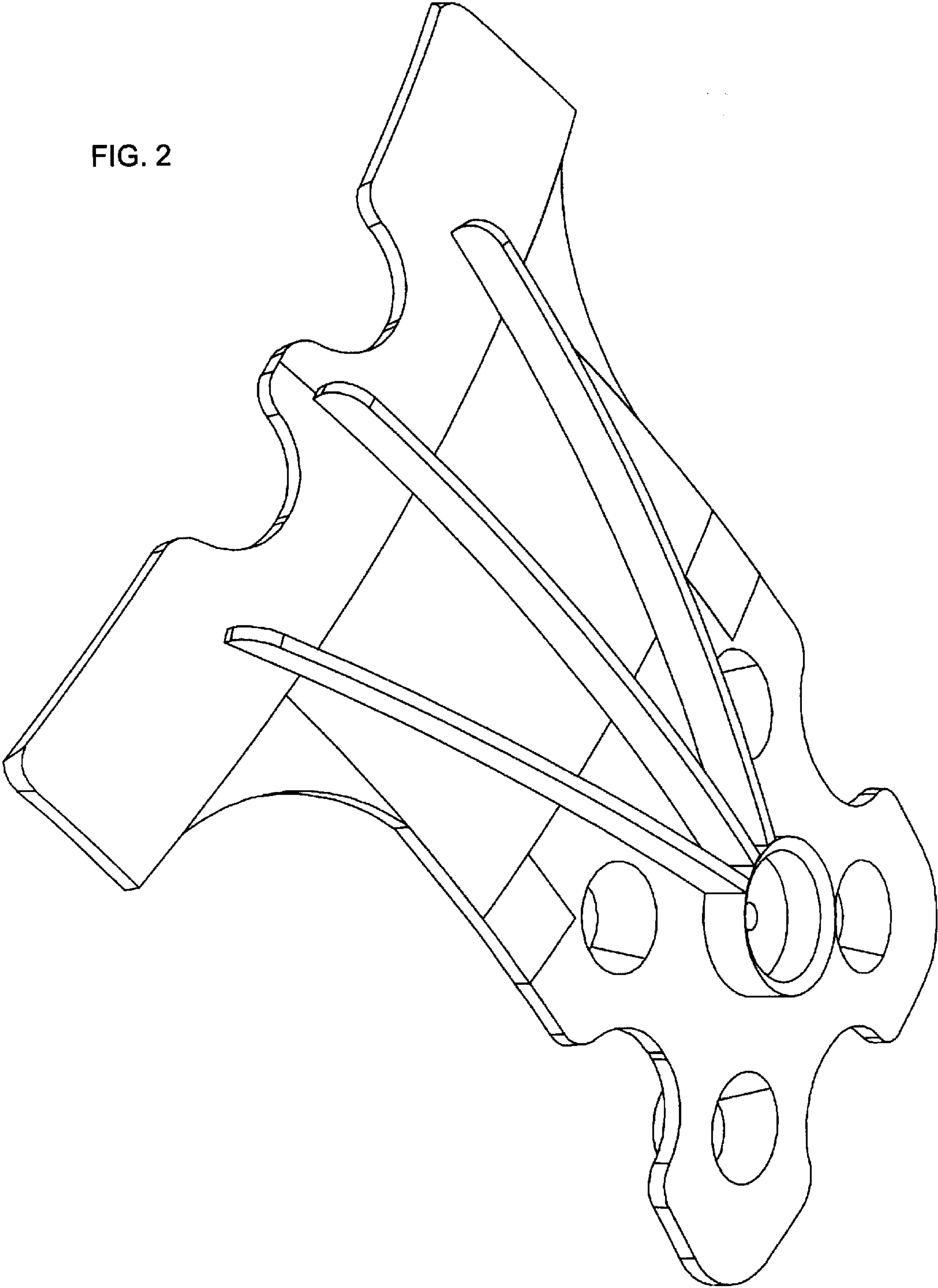


FIG. 3

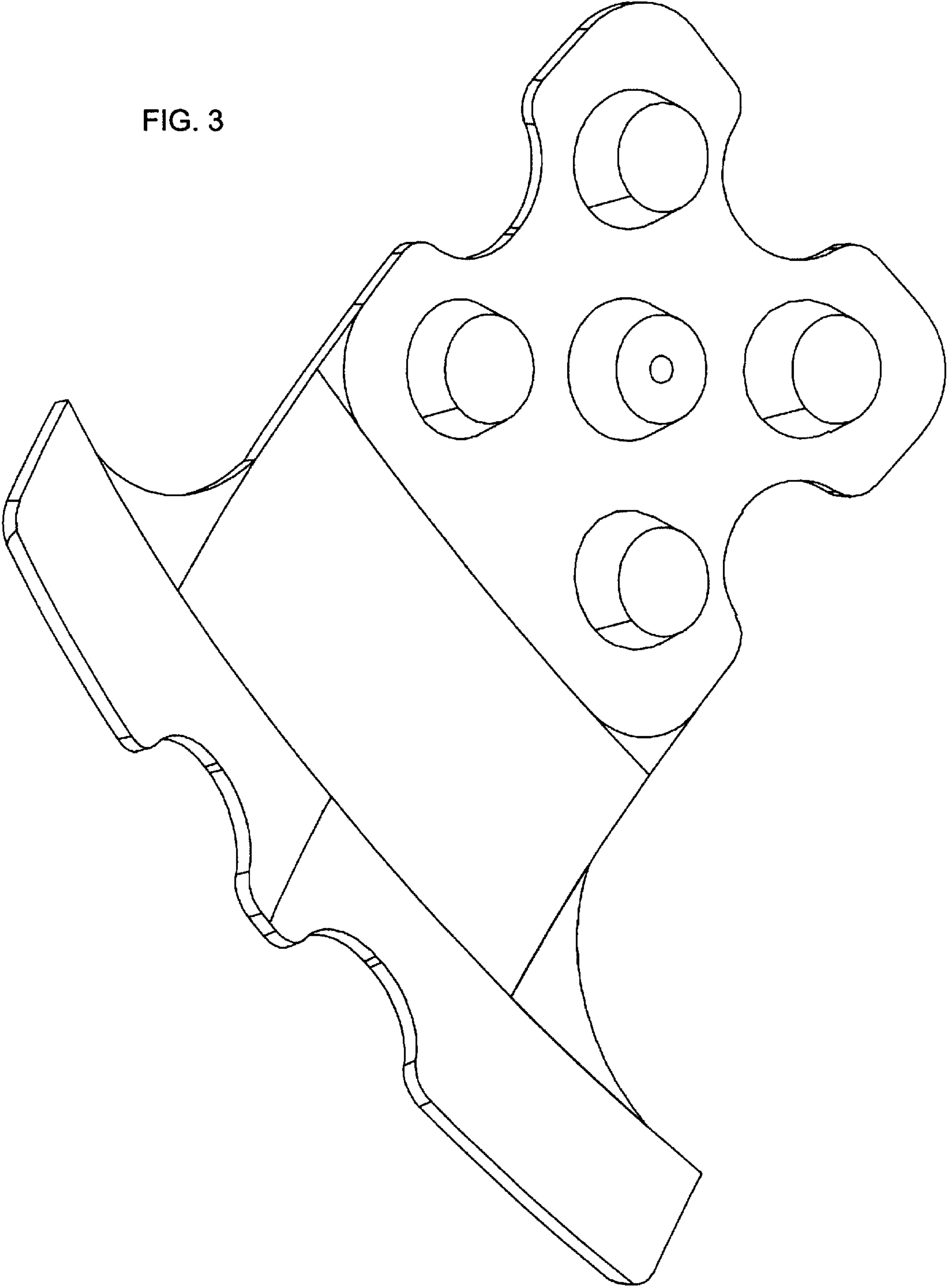
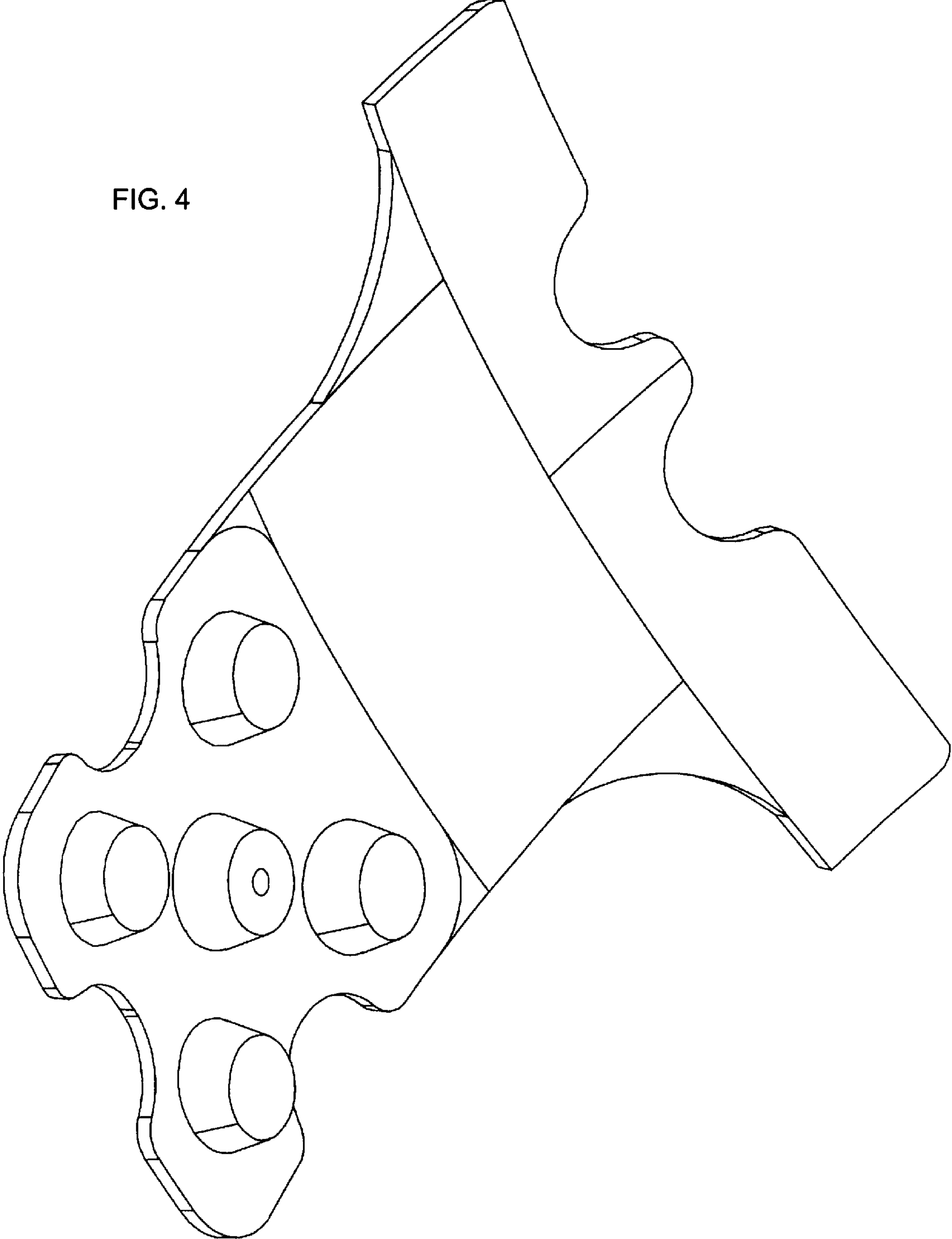


FIG. 4



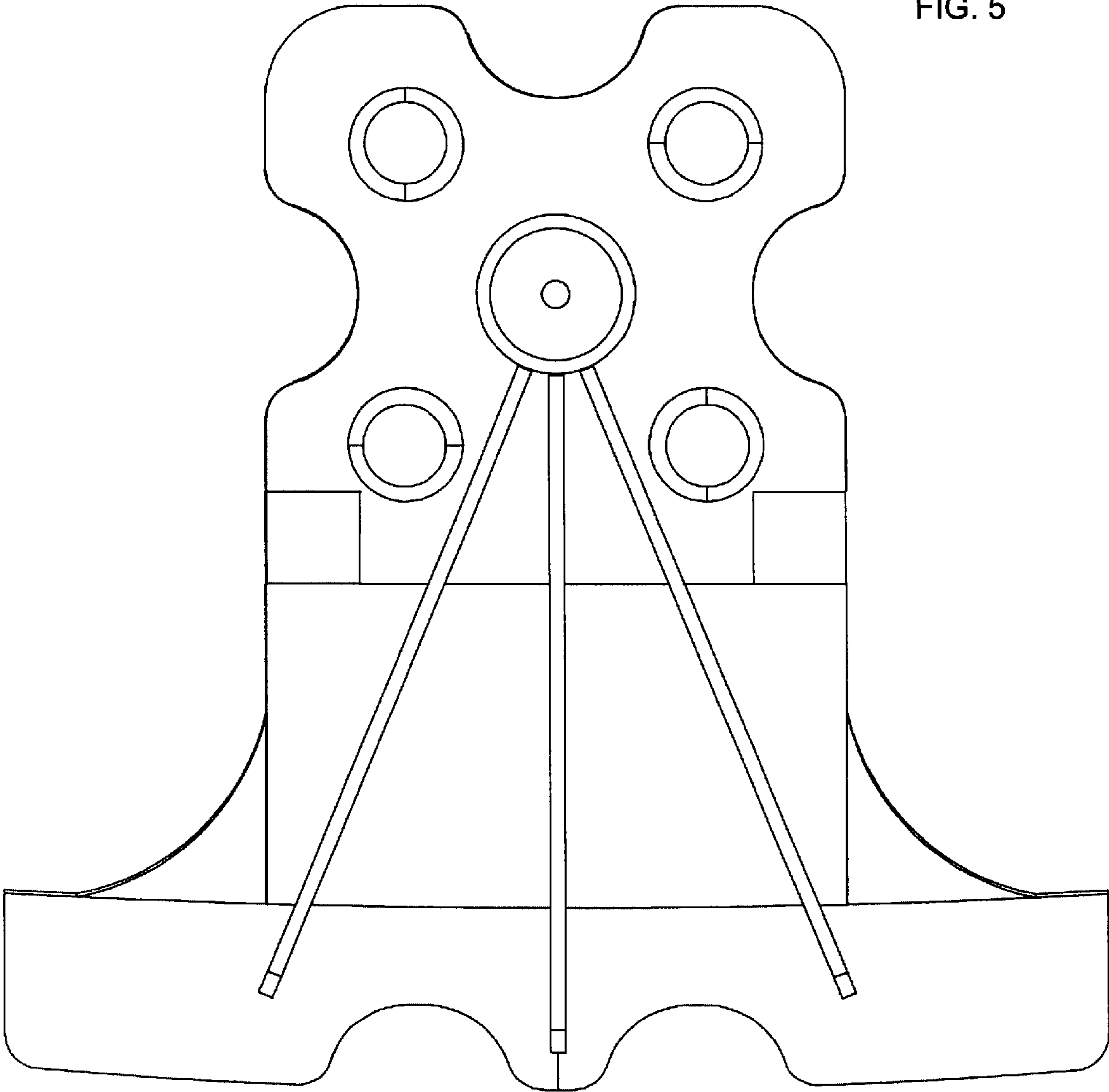


FIG. 5

FIG. 6

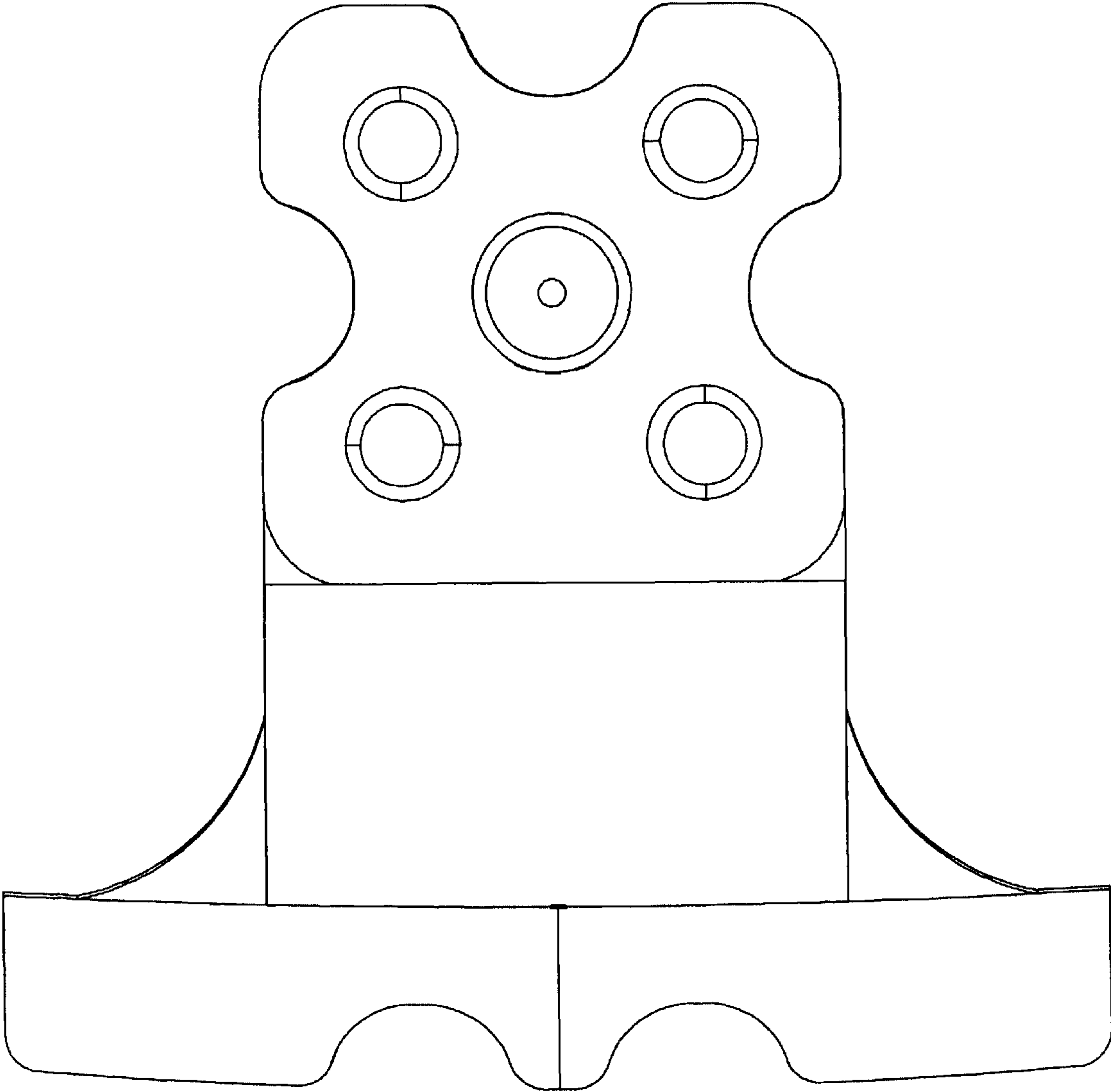


FIG. 7

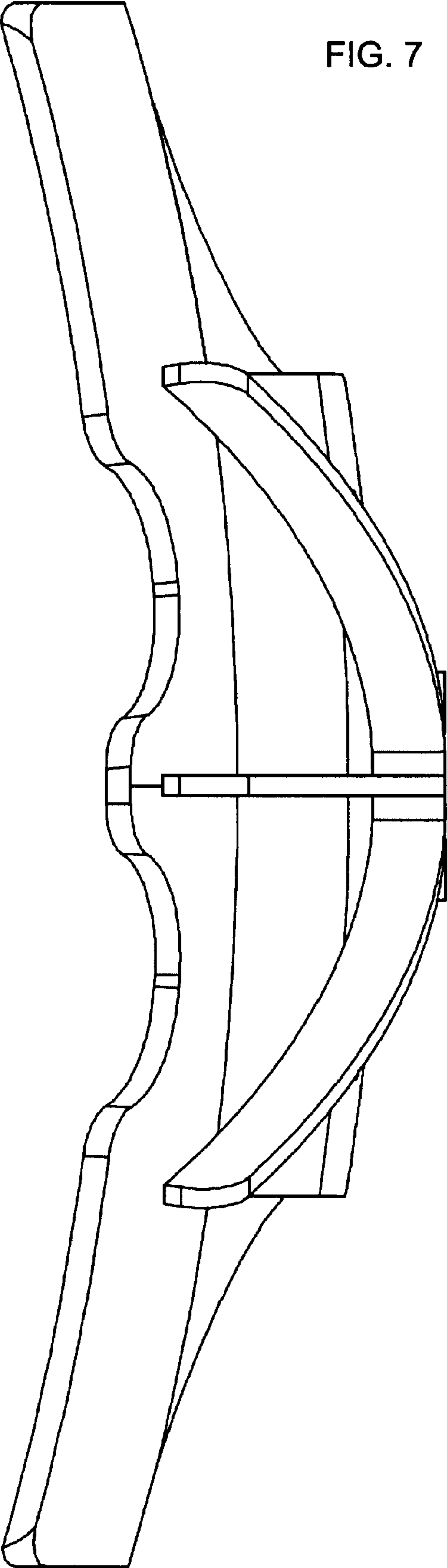


FIG. 8

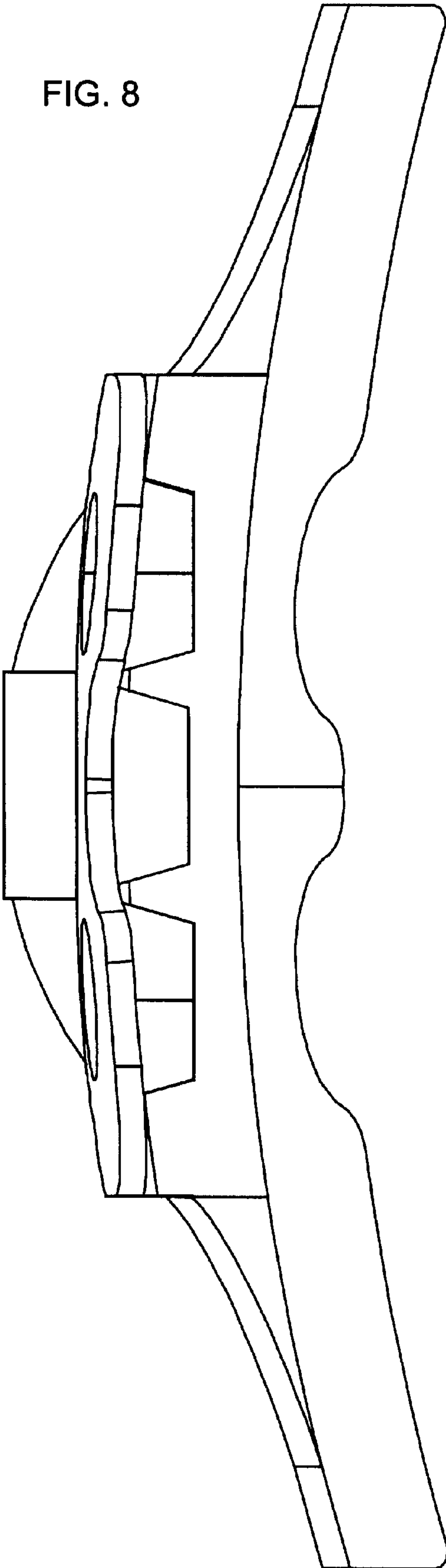




FIG. 9