



US00D633374S

(12) **United States Design Patent**
Diener

(10) **Patent No.:** **US D633,374 S**
(45) **Date of Patent:** **** Mar. 1, 2011**

(54) **CONNECTION FIXTURE**

(76) Inventor: **Rudy Diener**, Doonside (AU)

(**) Term: **14 Years**

(21) Appl. No.: **29/316,361**

(22) Filed: **Sep. 17, 2009**

(51) **LOC (9) Cl.** **08-08**

(52) **U.S. Cl.** **D8/382**

(58) **Field of Classification Search** D8/382,
D8/380; 403/199, 235, 169, 170, 173; D25/133;
D32/40; 15/145; 52/480

See application file for complete search history.

(56) **References Cited**

U.S. PATENT DOCUMENTS

D374,607 S	*	10/1996	Shoda	D8/382
D412,101 S	*	7/1999	Murakami	D8/382
D412,829 S	*	8/1999	Murakami	D8/382
D412,830 S	*	8/1999	Murakami	D8/382
D417,610 S	*	12/1999	Murakami	D8/382
D560,476 S	*	1/2008	Jones et al.	D8/382
D561,016 S	*	2/2008	Jones et al.	D8/382
D561,017 S	*	2/2008	Carney	D8/382
D592,492 S	*	5/2009	Werschmidt	D8/382
D606,387 S	*	12/2009	Werschmidt	D8/382
D606,388 S	*	12/2009	Werschmidt	D8/382
D606,389 S	*	12/2009	Werschmidt	D8/382

* cited by examiner

Primary Examiner—Holly H. Baynham

Assistant Examiner—Sheryl Lane

(74) *Attorney, Agent, or Firm*—Brooks, Cameron & Huebsch, PLLC

(57) **CLAIM**

The ornamental design for a connection fixture, as shown and described.

DESCRIPTION

FIG. 1 is an angled top perspective view of a connection fixture embodiment of the present disclosure, wherein the embodiment has two sections;

FIG. 2 is an angled bottom perspective view of the embodiment when turned approximately 90 degrees to the left;

FIG. 3 is a side view of the embodiment;

FIG. 4 is a side view of the embodiment when turned approximately 180 degrees relative to FIG. 3;

FIG. 5 is a side view of the embodiment when turned approximately 90 degrees to the left relative to FIG. 3;

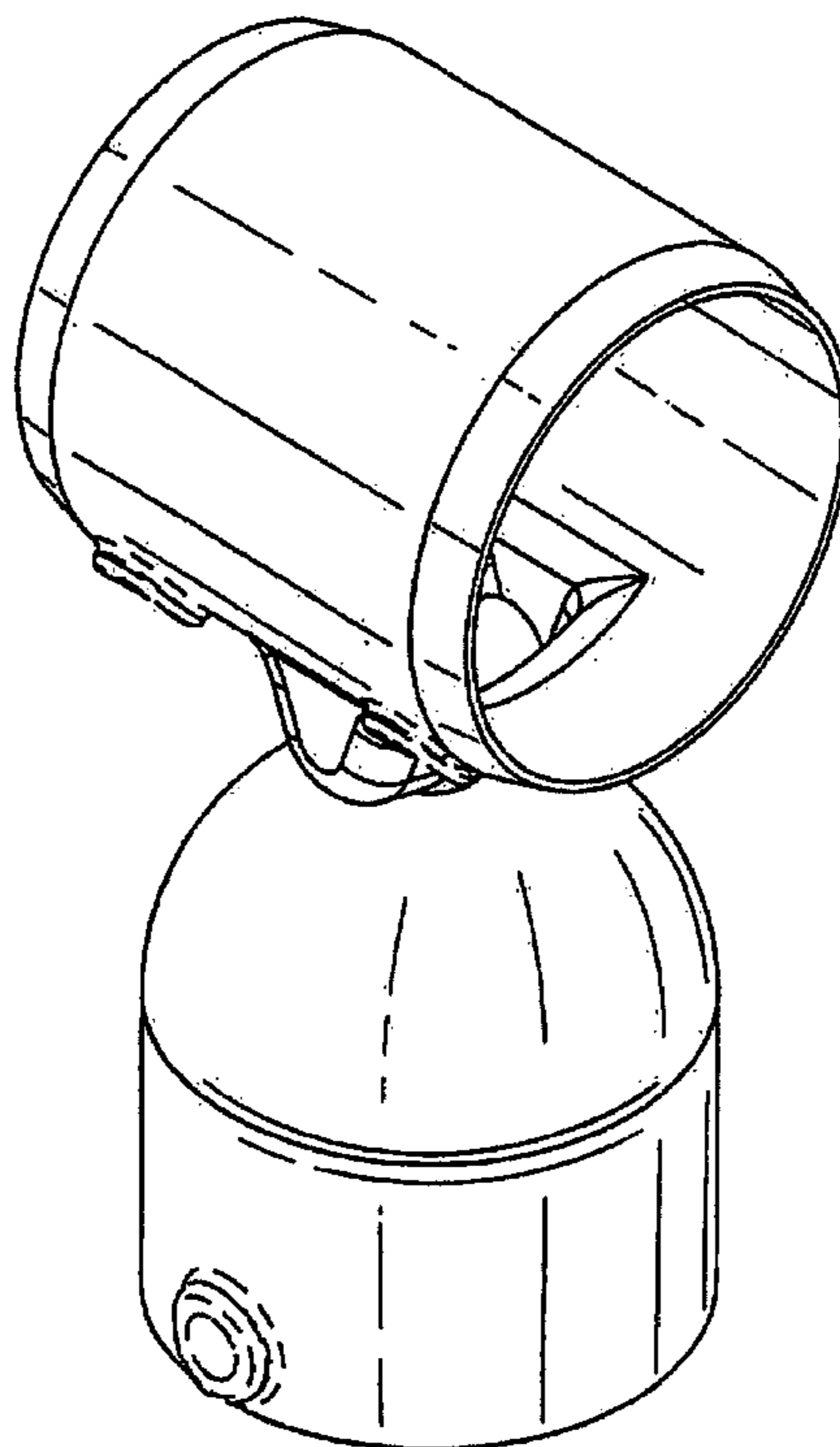
FIG. 6 is a side view of the embodiment when turned approximately 90 degrees to the left relative to FIG. 4;

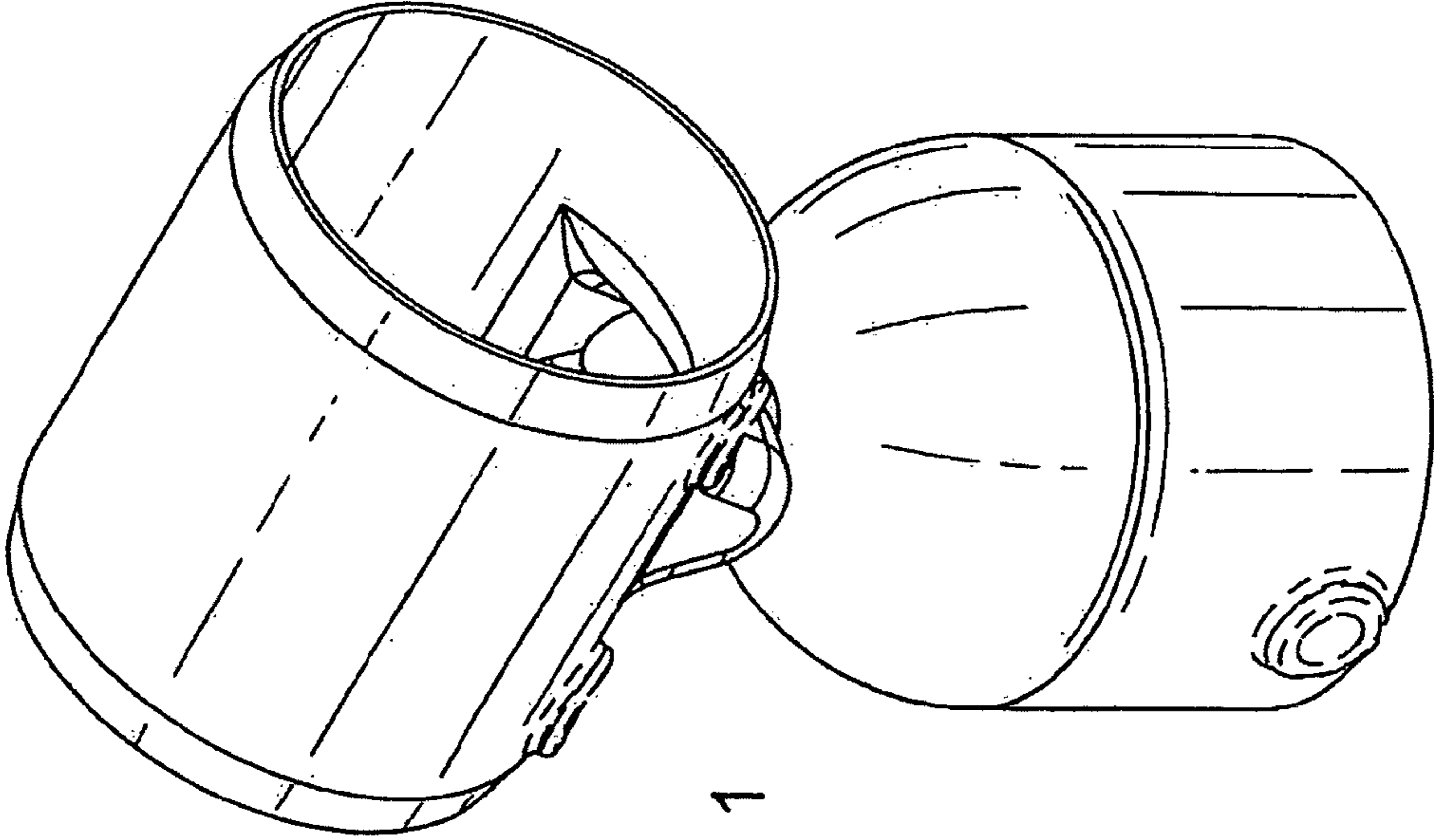
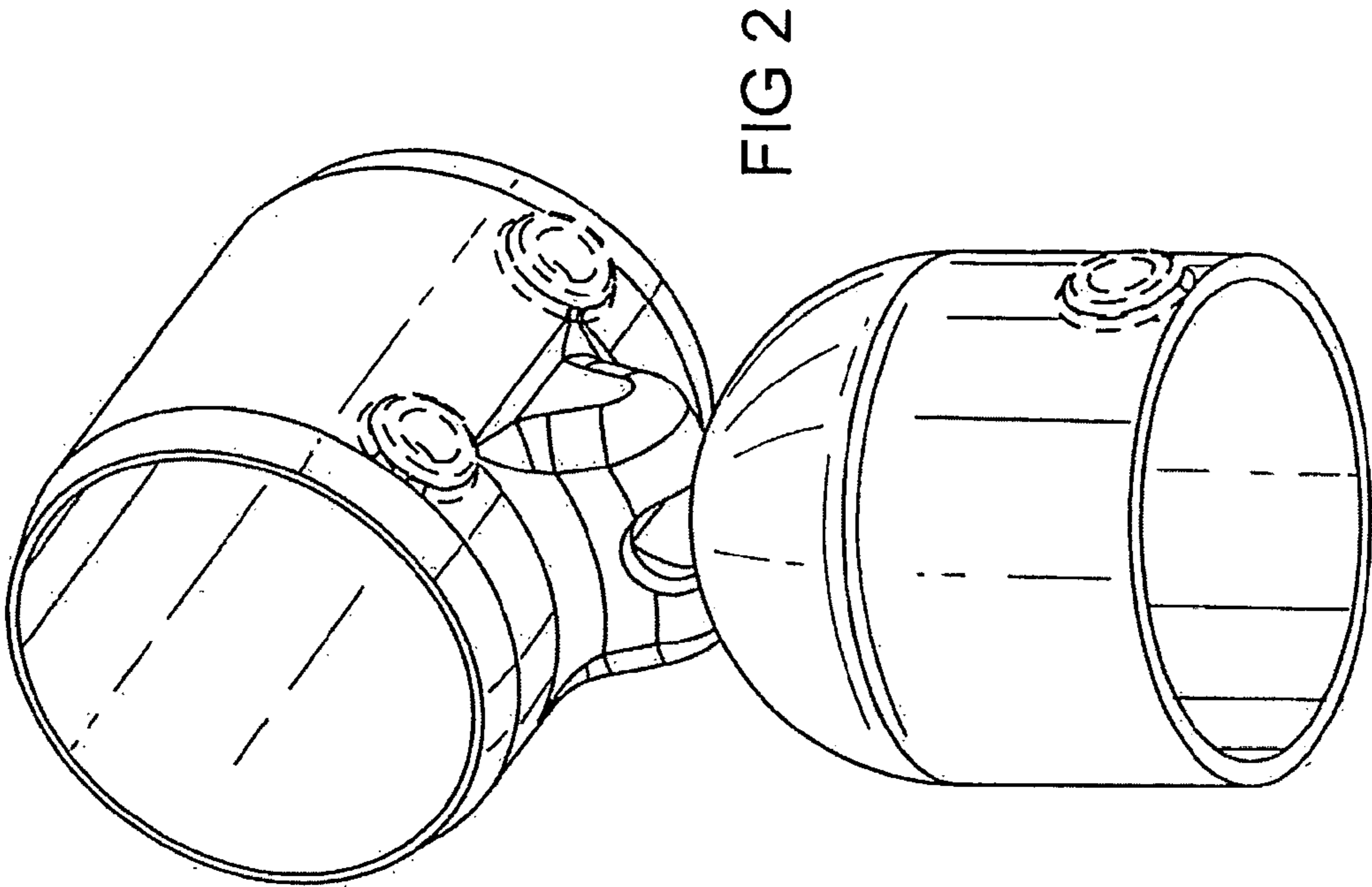
FIG. 7 is a top view of the embodiment; and,

FIG. 8 is a bottom view of the embodiment.

The Broken line showing of the connection fixture is included for the purpose of illustrating portions of the article and forms no part of the claimed design.

1 Claim, 4 Drawing Sheets





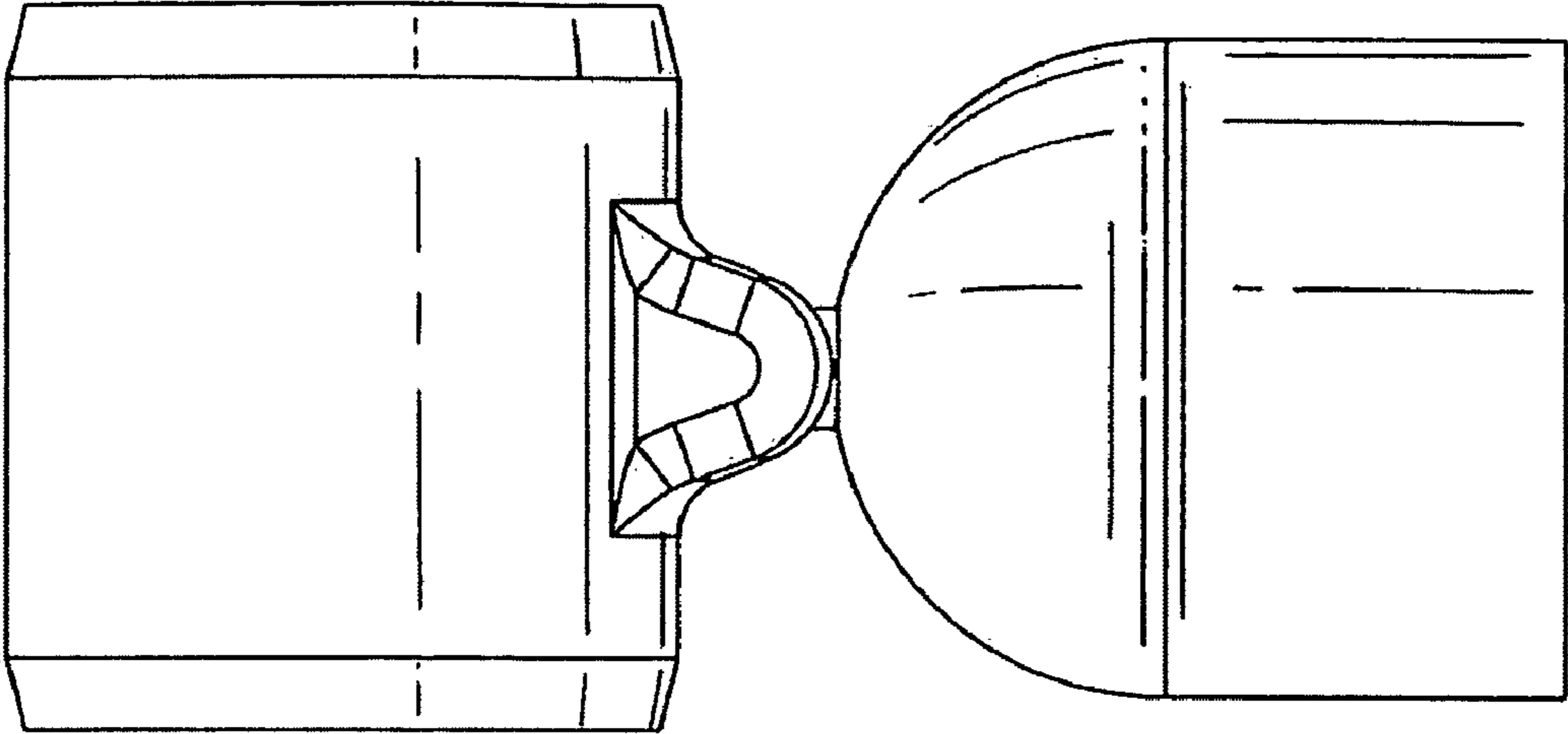


FIG 4

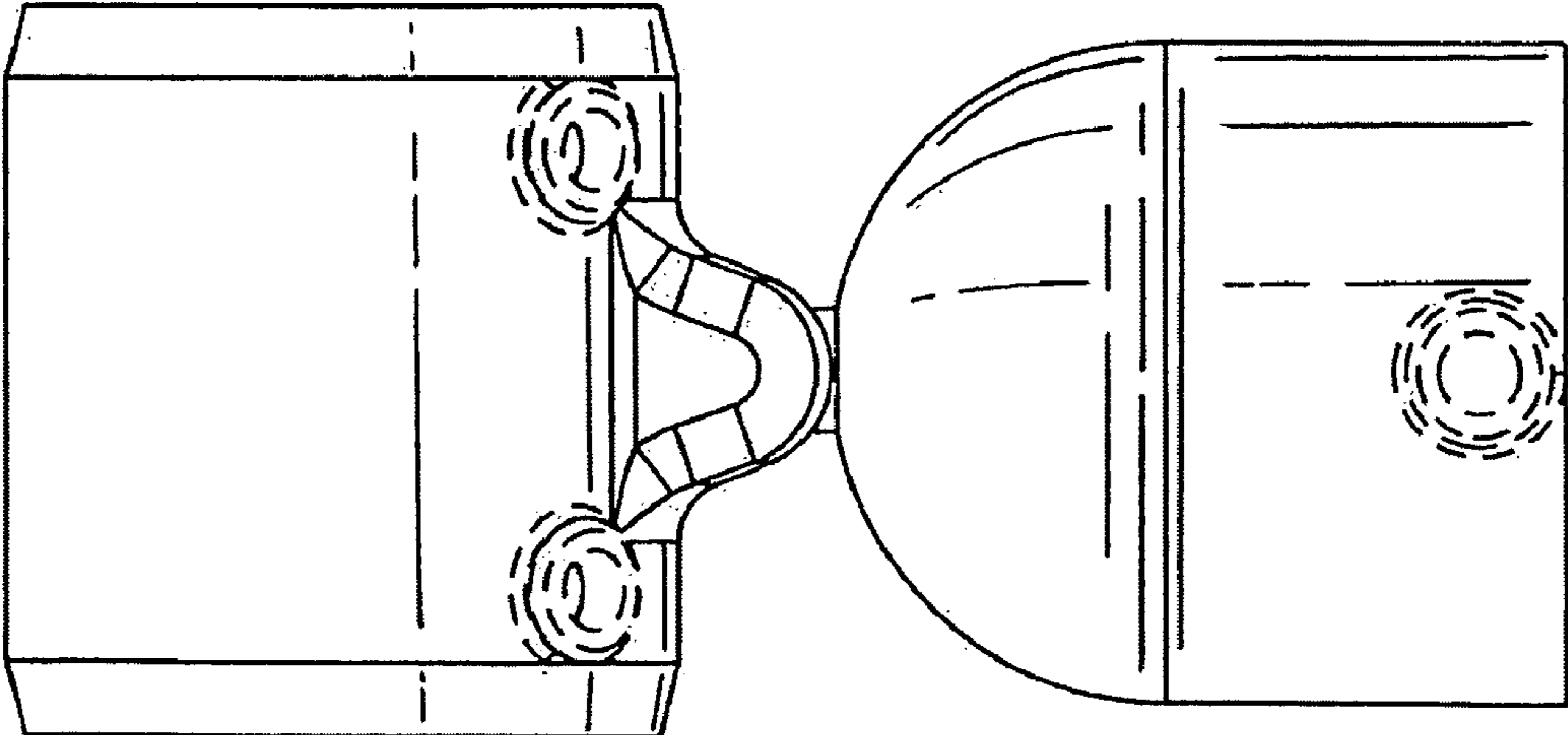


FIG 3

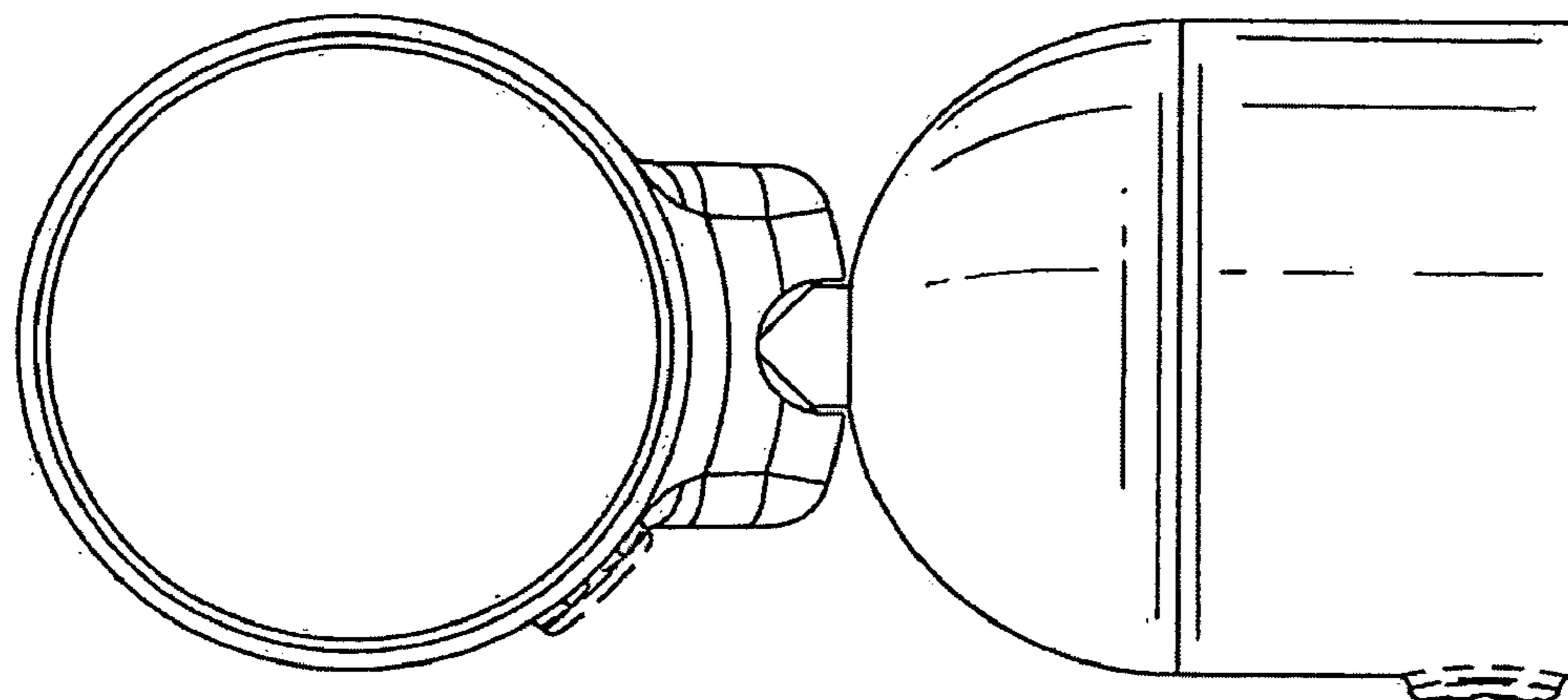


FIG 6

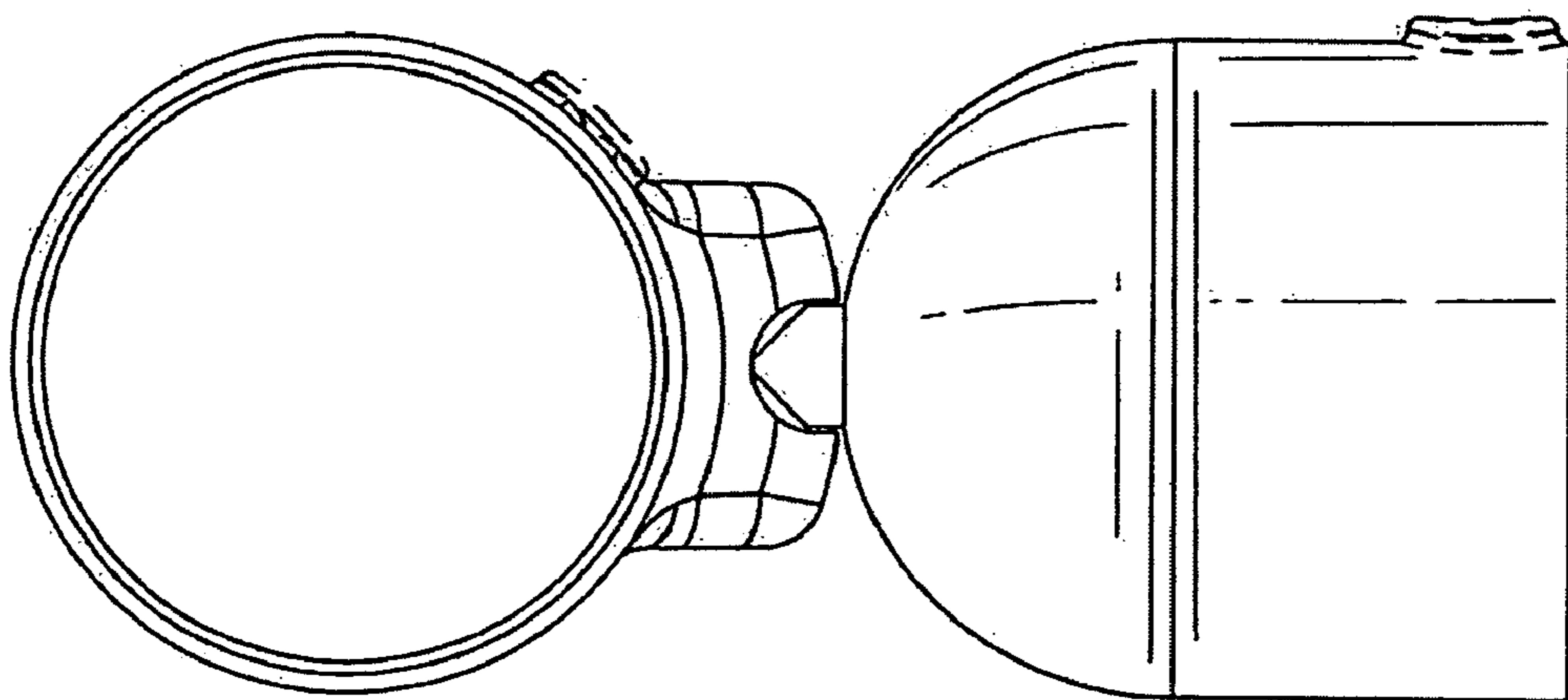


FIG 5

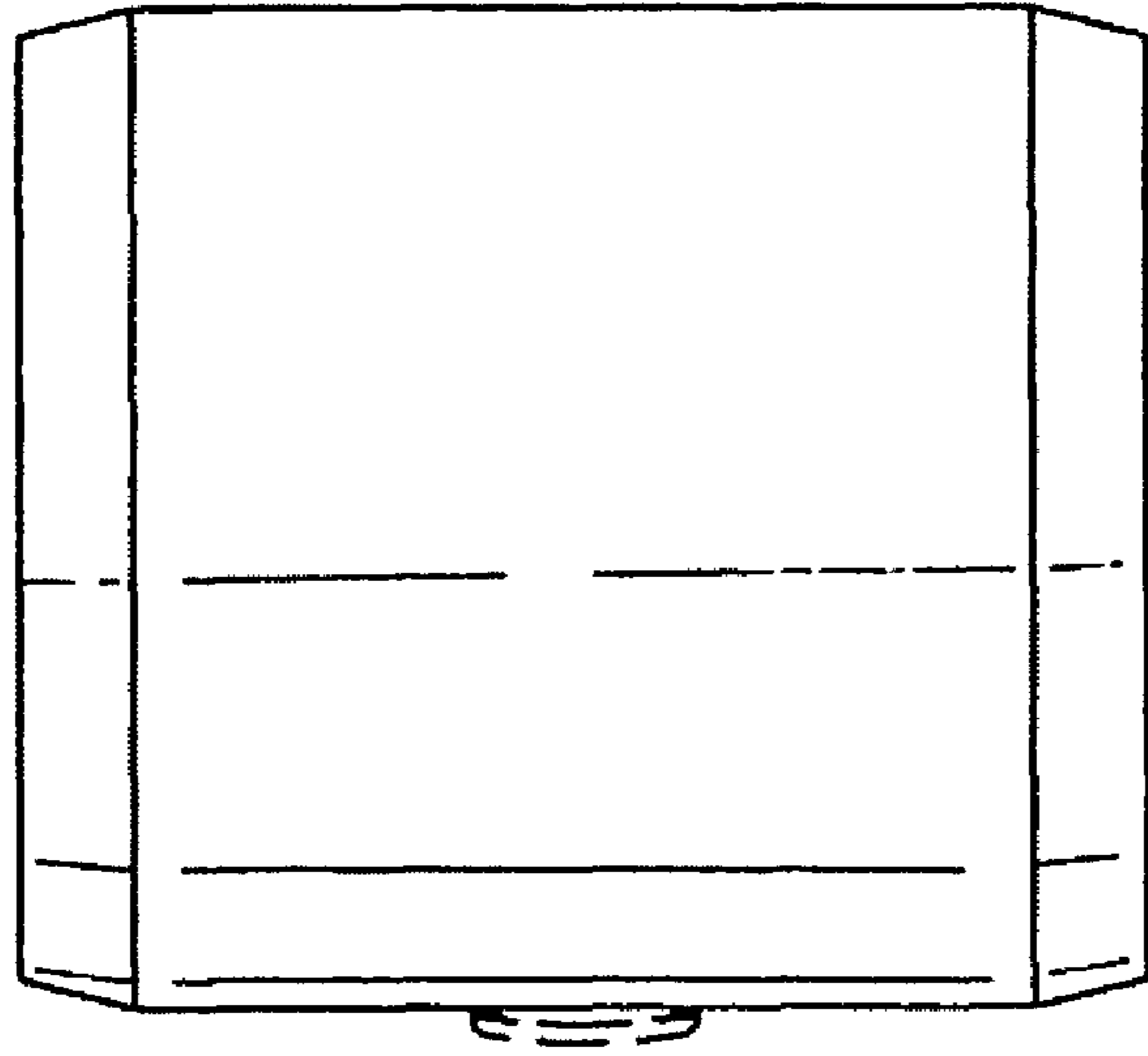


FIG 7

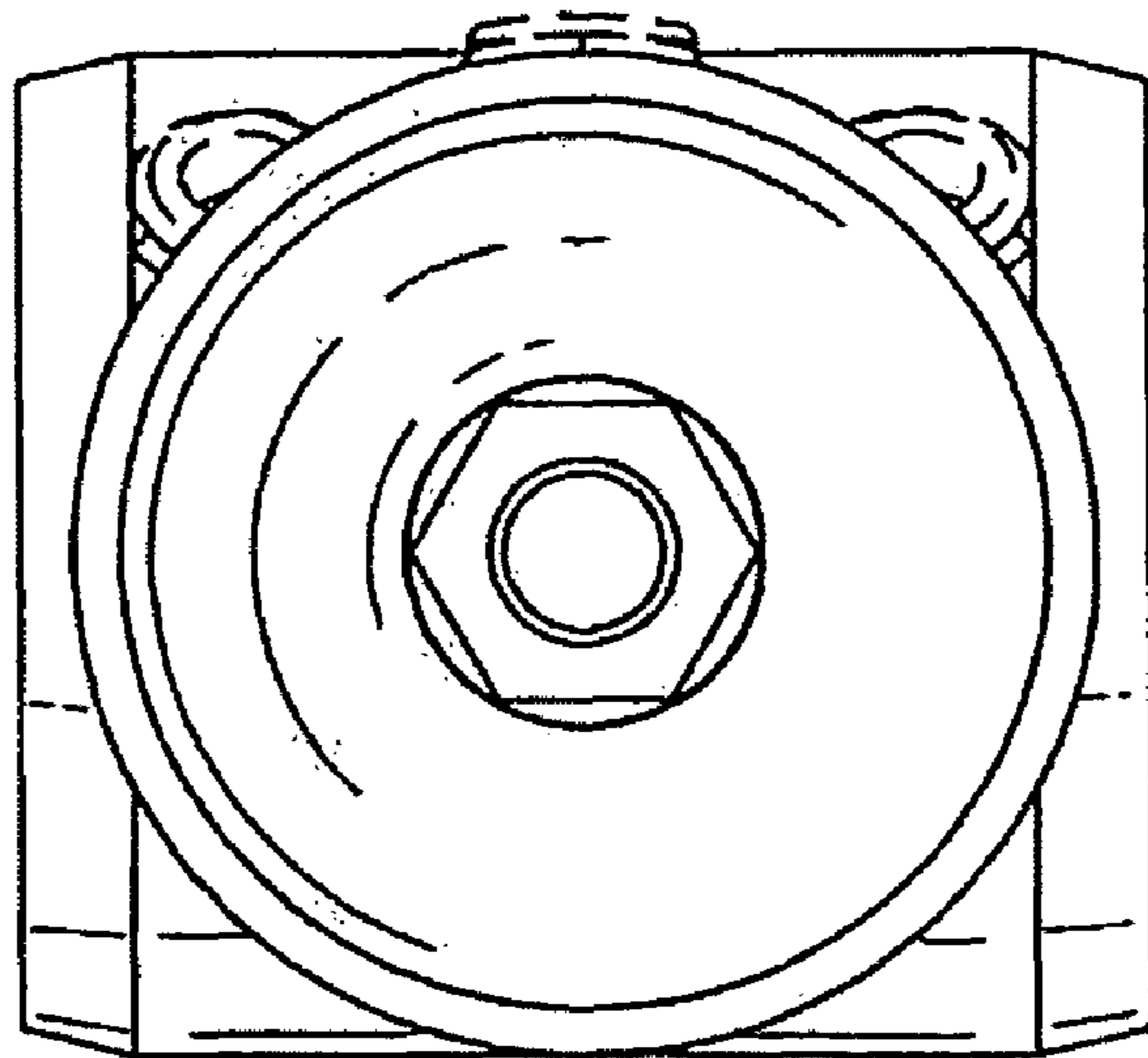


FIG 8