



US00D633368S

(12) **United States Design Patent**  
**Taylor**

(10) **Patent No.:** **US D633,368 S**

(45) **Date of Patent:** **\*\* Mar. 1, 2011**

(54) **ANTI-THEFT DEVICE**

(76) Inventor: **Richard Warren Taylor**, Davie, FL  
(US)

(\*\*) Term: **14 Years**

(21) Appl. No.: **29/357,911**

(22) Filed: **Mar. 19, 2010**

**Related U.S. Application Data**

(63) Continuation-in-part of application No. 12/718,662,  
filed on Mar. 5, 2010.

(51) **LOC (9) Cl.** ..... **08-07**

(52) **U.S. Cl.** ..... **D8/331**

(58) **Field of Classification Search** ..... D8/330,  
D8/331, 339, 343, 341, 346; 70/14, 57, 57.1,  
70/58, 99, 141, 431, 465, 229–232  
See application file for complete search history.

(56) **References Cited**

**U.S. PATENT DOCUMENTS**

6,128,932	A *	10/2000	Mainetti et al.	70/57.1
6,755,055	B2 *	6/2004	Sedon et al.	70/57.1
7,320,235	B2 *	1/2008	Belden et al.	70/57.1
D609,125	S *	2/2010	Perez	D10/106
7,677,066	B2 *	3/2010	Lax et al.	70/57.1
D618,083	S *	6/2010	Hansen	D8/346
7,787,232	B2 *	8/2010	Abatemarco	361/232
2005/0268672	A1 *	12/2005	Fraser et al.	70/57.1

2010/0171620 A1\* 7/2010 Stoltz et al. .... 340/572.9

\* cited by examiner

*Primary Examiner*—Prabhakar Deshmukh

(74) *Attorney, Agent, or Firm*—Christopher Wood; Daniel Eisenberg; Premier Law Group, PLLC

(57) **CLAIM**

The ornamental design for an anti-theft device, as shown and described.

**DESCRIPTION**

FIG. 1 is a perspective view of an anti-theft device showing my new design;

FIG. 2 is a top view thereof;

FIG. 3 is a bottom view thereof.

FIG. 4 is a front view thereof;

FIG. 5 is a rear view thereof;

FIG. 6 is a right side view thereof;

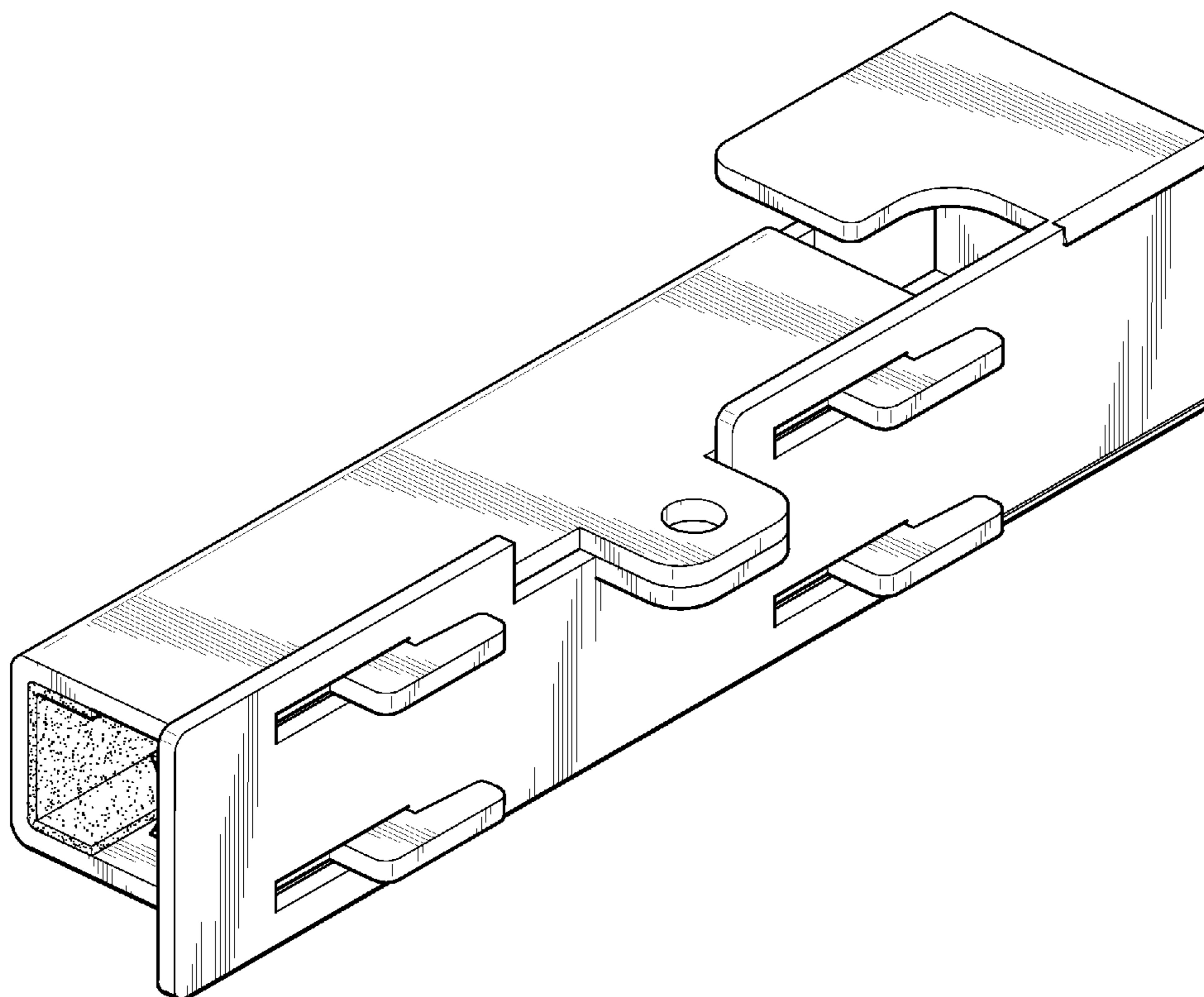
FIG. 7 is a left side view thereof;

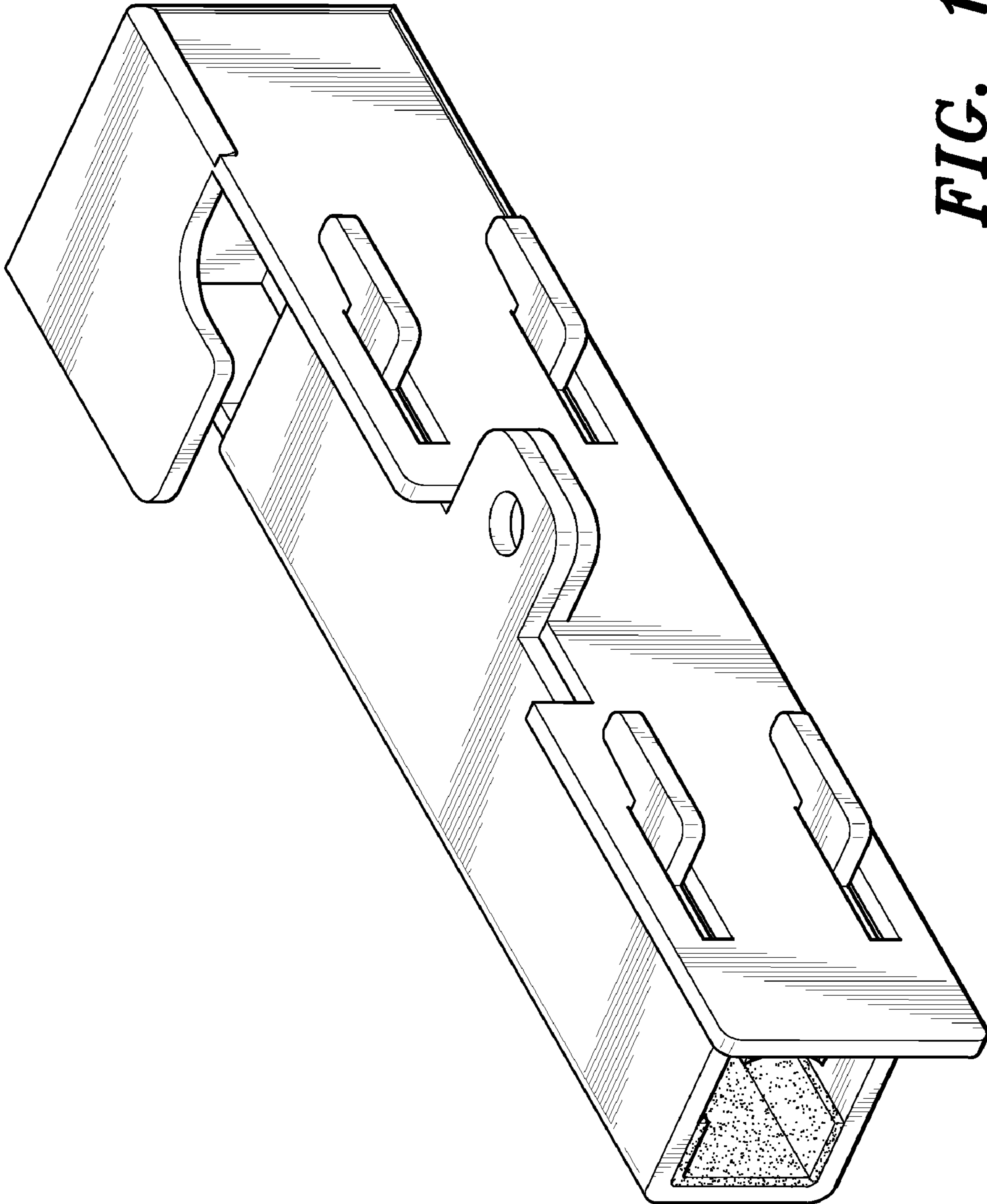
FIG. 8 is an exploded view as viewed from the left side thereof;

FIG. 9 is a view of a front portion taken along line 9—9 of FIG. 9; and,

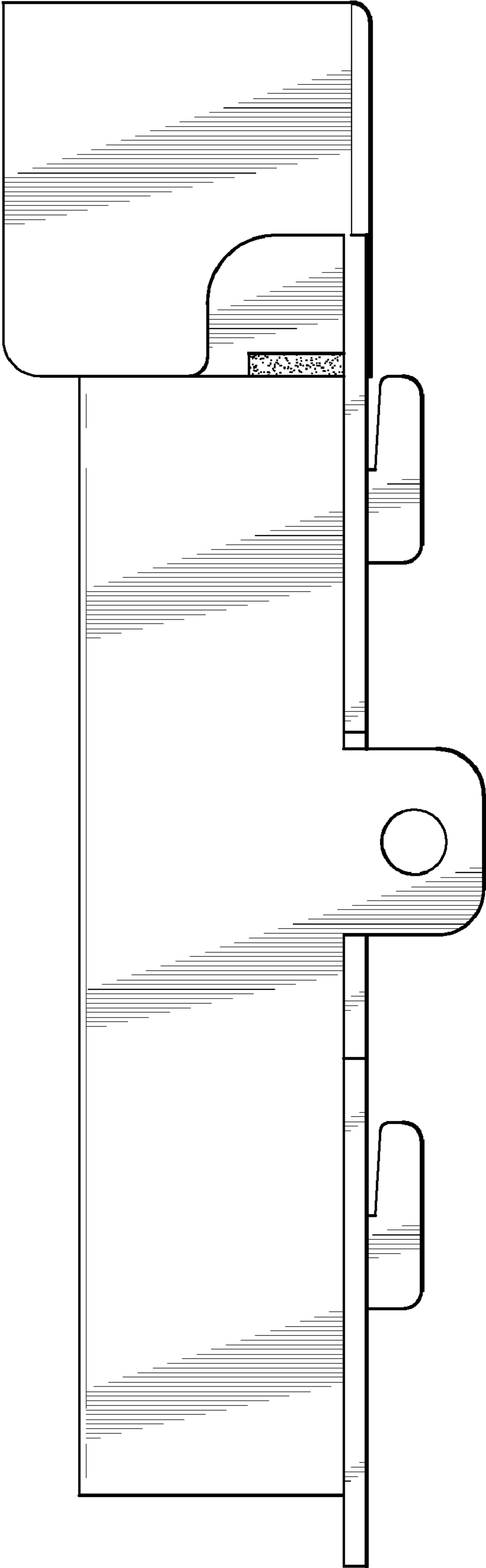
FIG. 10 is a view of a rear portion taken along line 10—10 of FIG. 8.

**1 Claim, 9 Drawing Sheets**

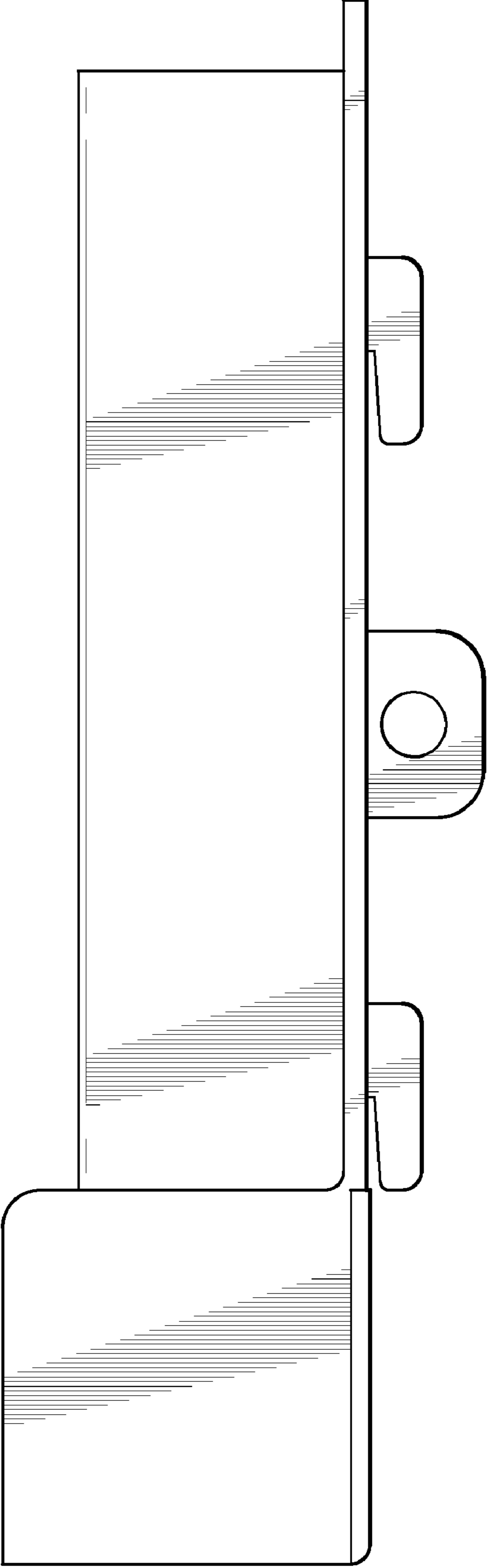




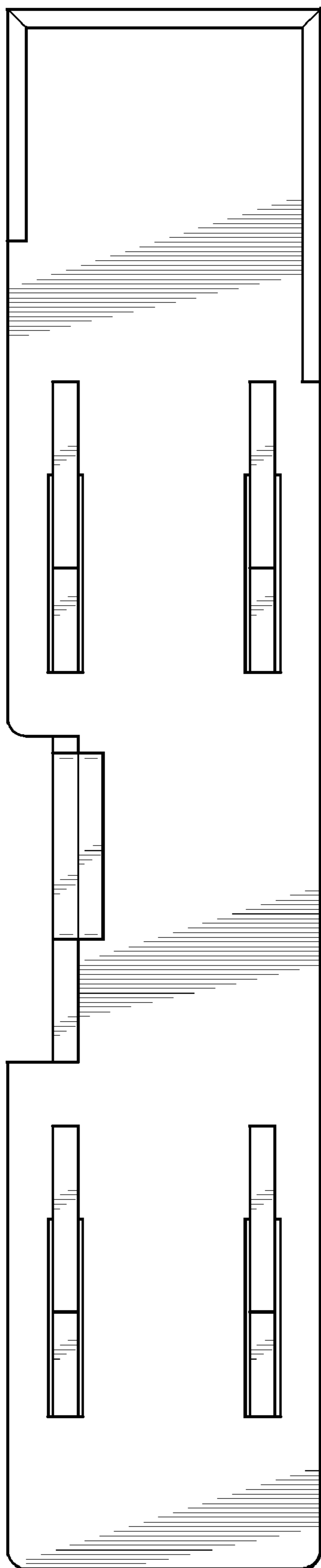
**FIG. 1**



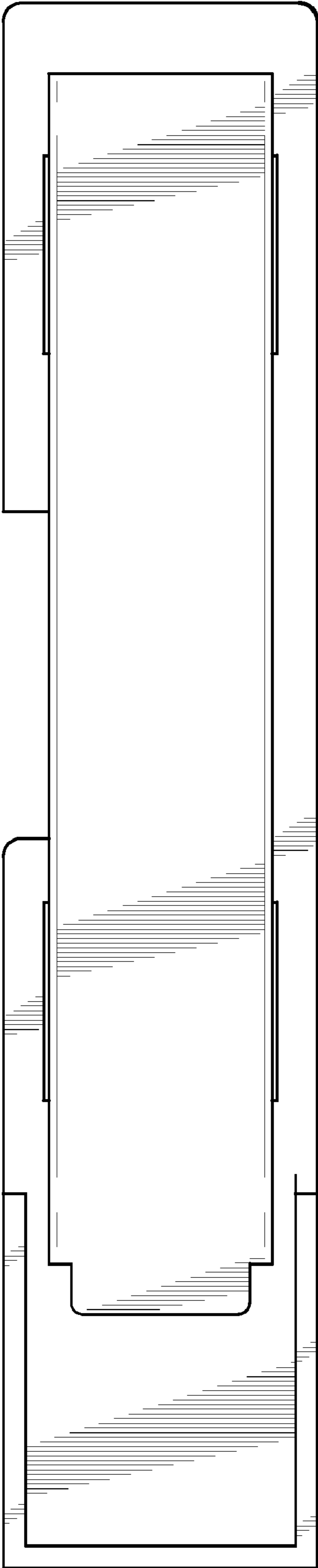
**FIG. 2**



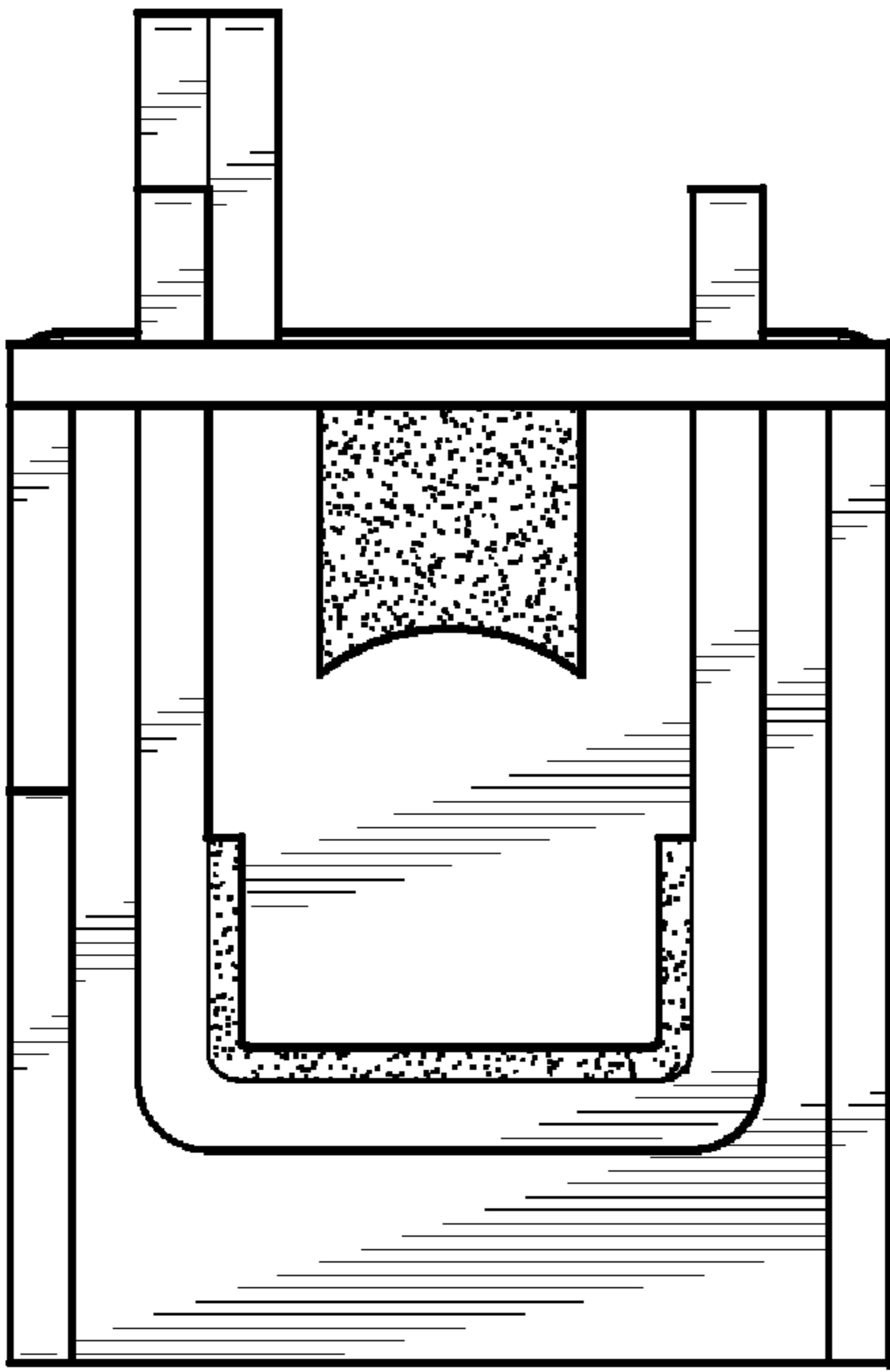
**FIG. 3**



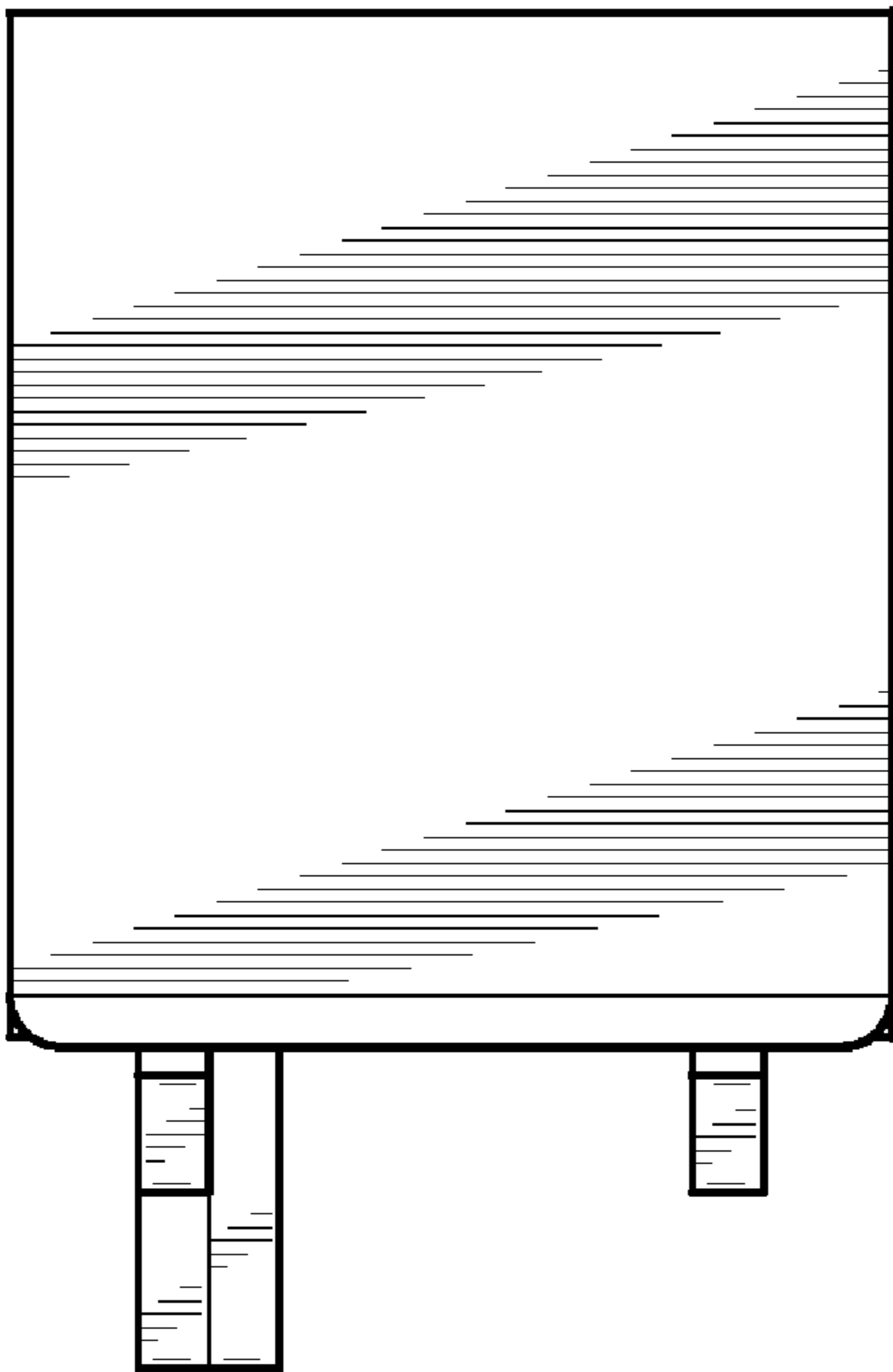
**FIG. 4**



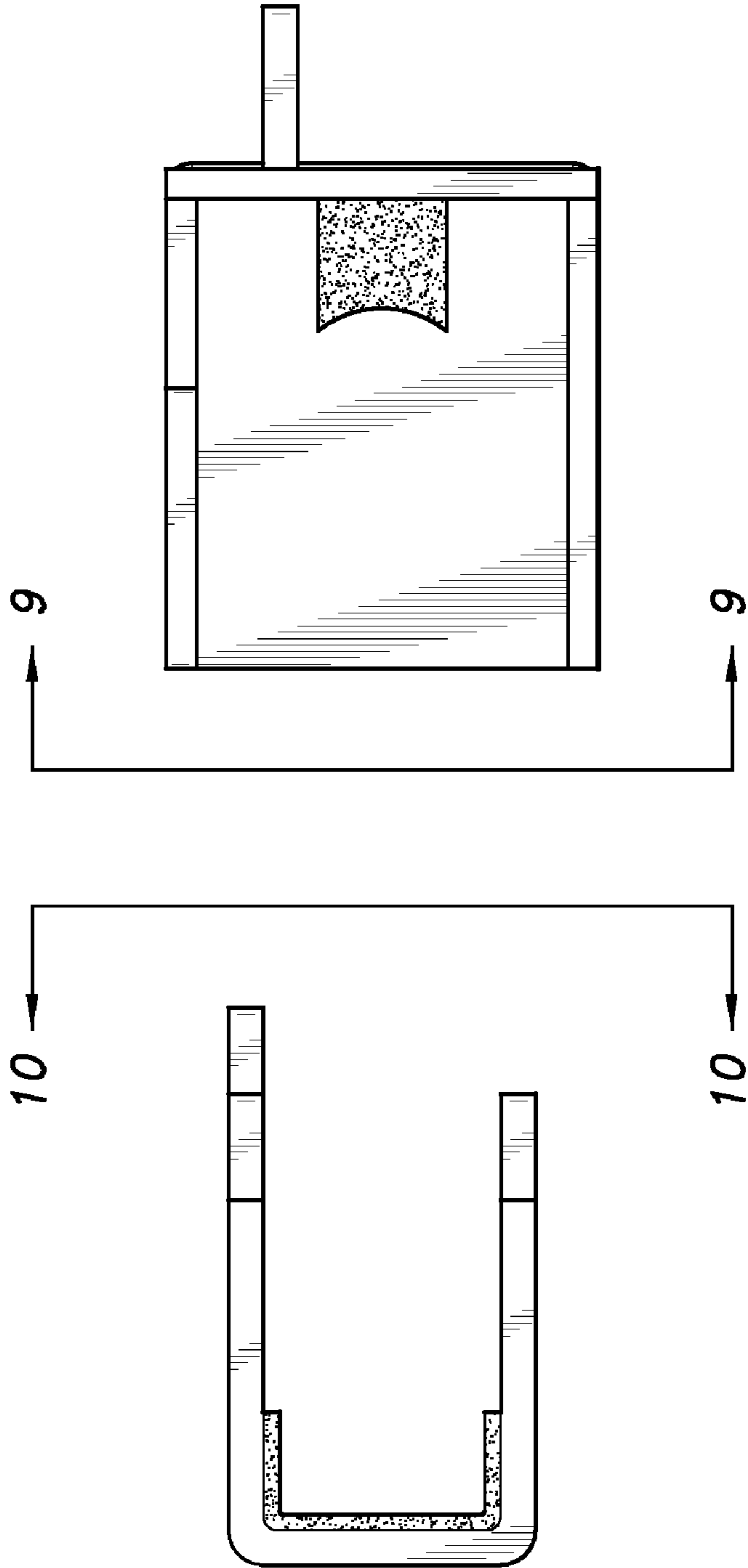
**FIG. 5**



**FIG. 7**

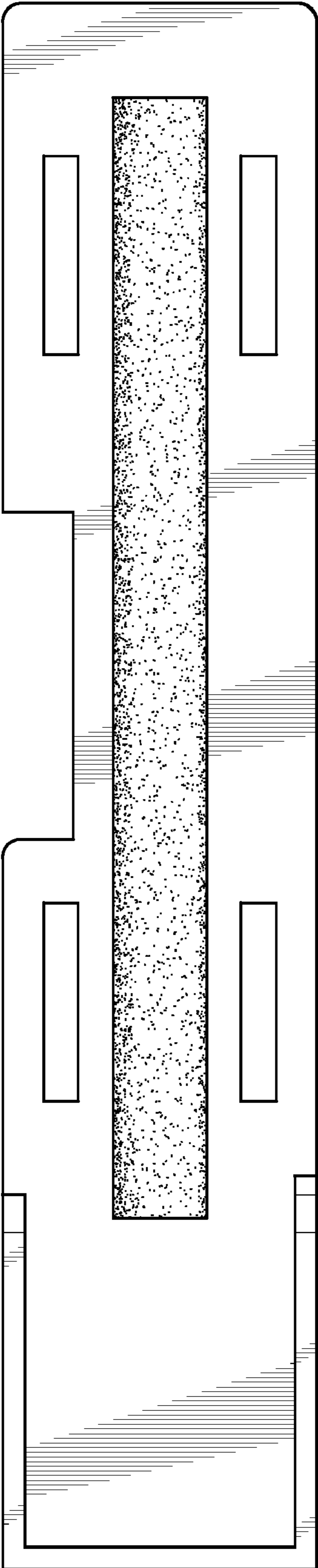


**FIG. 6**

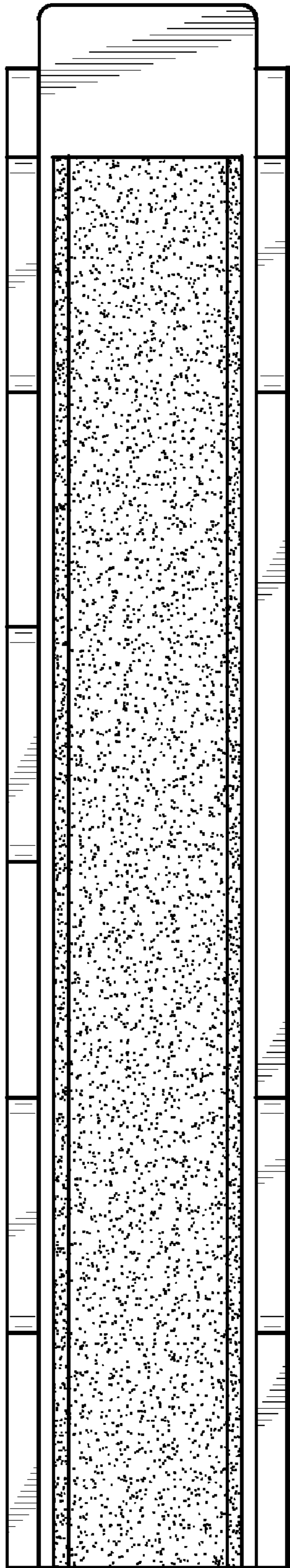


**FIG. 8**





**FIG. 9**



**FIG. 10**