



US00D633367S

(12) **United States Design Patent**  
**Scherr**

(10) **Patent No.:** **US D633,367 S**  
(45) **Date of Patent:** **\*\* Mar. 1, 2011**

(54) **LATCH ASSEMBLY HAVING A SPRING CLIP**

(75) Inventor: **Vincent J. Scherr**, Rugby, ND (US)

(73) Assignee: **Rugby Manufacturing Company**,  
Rugby, ND (US)

(\*\*) Term: **14 Years**

(21) Appl. No.: **29/349,035**

(22) Filed: **Mar. 3, 2010**

(51) **LOC (9) Cl.** ..... **08-07**

(52) **U.S. Cl.** ..... **D8/331; D8/339**

(58) **Field of Classification Search** ..... **D8/330,**  
**D8/331, 343, 339, 349, 341; 70/107-111,**  
**70/114, 118, 141, 488, 162; 292/2, 32, 63,**  
**292/137, 174**

See application file for complete search history.

(56) **References Cited**

**U.S. PATENT DOCUMENTS**

1,720,429	A	7/1929	Nein	
2,496,944	A	2/1950	James	
3,023,451	A	3/1962	Thoel	
3,802,726	A	4/1974	Galbreath et al.	
4,141,582	A	2/1979	Streeter	
4,358,150	A	11/1982	Nash	
4,667,367	A	5/1987	White et al.	
4,691,956	A	9/1987	Hodge	
4,798,407	A	1/1989	Miller	
4,826,237	A	5/1989	Socha	
D304,291	S *	10/1989	Weinerman et al.	D8/331
D324,166	S *	2/1992	Greco	D8/331
5,324,092	A	6/1994	Burg	
5,450,735	A *	9/1995	Esaki et al.	70/208
5,609,373	A *	3/1997	Gromotka	292/229
D389,397	S *	1/1998	Stech	D8/346
6,053,545	A	4/2000	Asmundson et al.	
D424,405	S *	5/2000	Schlack et al.	D8/331

6,279,979	B1	8/2001	Cauley	
6,550,838	B2	4/2003	Bobbitt, III et al.	
D496,619	S	9/2004	Boe	
D498,407	S *	11/2004	Layton	D8/331
6,854,775	B2	2/2005	Senn	
6,860,530	B2	3/2005	Senn	
6,905,152	B1 *	6/2005	Hudson	292/143
7,252,317	B2	8/2007	Boe	
7,296,448	B1 *	11/2007	Shaw	70/283
7,404,448	B2	7/2008	Tuttle et al.	
D601,403	S *	10/2009	Cosby et al.	D8/331
D605,493	S *	12/2009	Tejszerski	D8/331

\* cited by examiner

*Primary Examiner*—Prabhakar Deshmukh

(74) *Attorney, Agent, or Firm*—Kinney & Lange, P.A.

(57) **CLAIM**

The ornamental design for a latch assembly having a spring clip, as shown and described.

**DESCRIPTION**

FIG. 1 is a perspective view of a latch assembly having a spring clip showing my new design;

FIG. 2 is a top plan view thereof;

FIG. 3 is a front elevational view thereof;

FIG. 4 is an enlarged scale right side elevational view thereof;

FIG. 5 is a rear elevational view thereof;

FIG. 6 is an enlarged scale left side elevational view thereof;

FIG. 7 is a bottom plan view thereof;

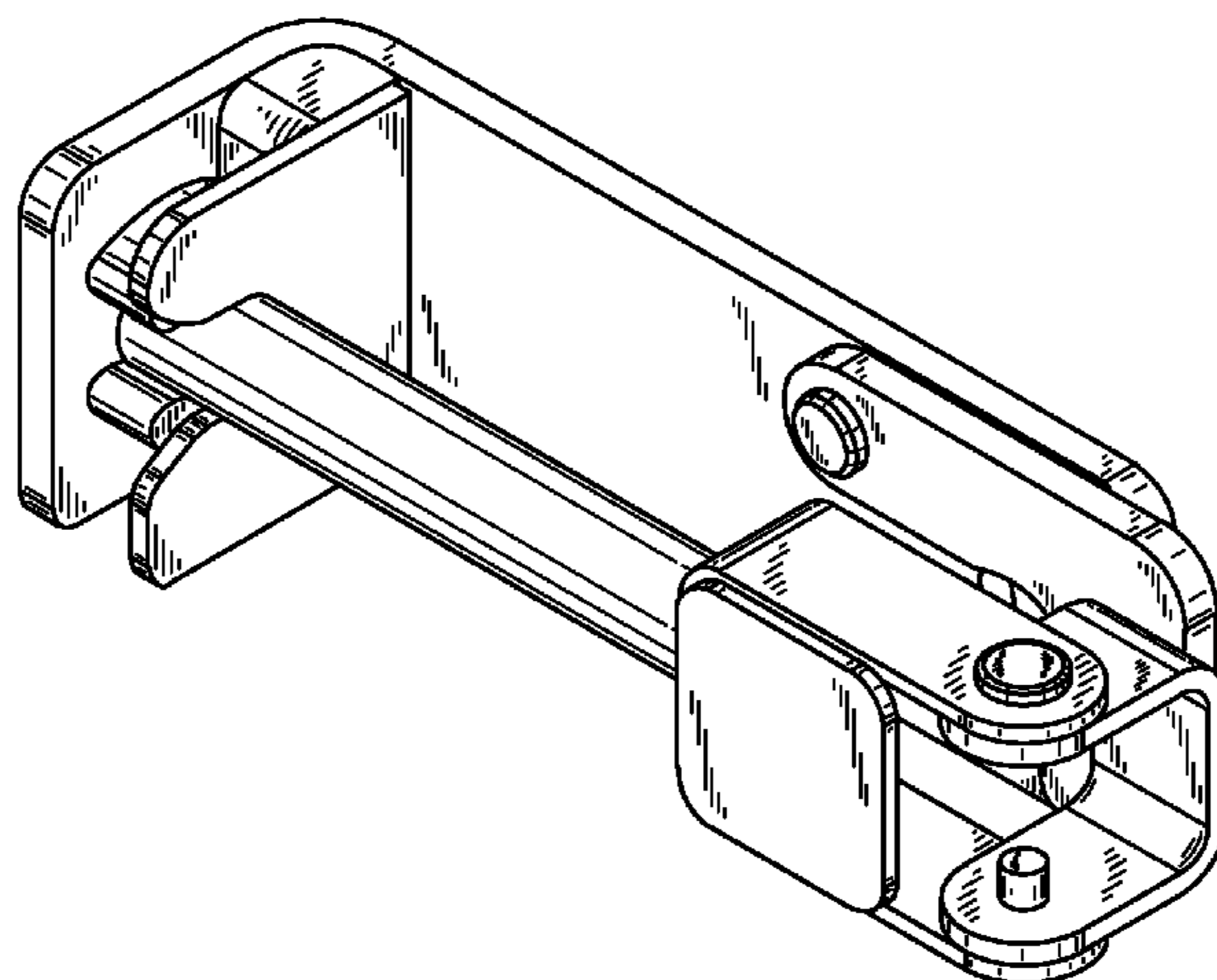
FIG. 8 is a perspective view of a second embodiment of a latch assembly having a spring clip;

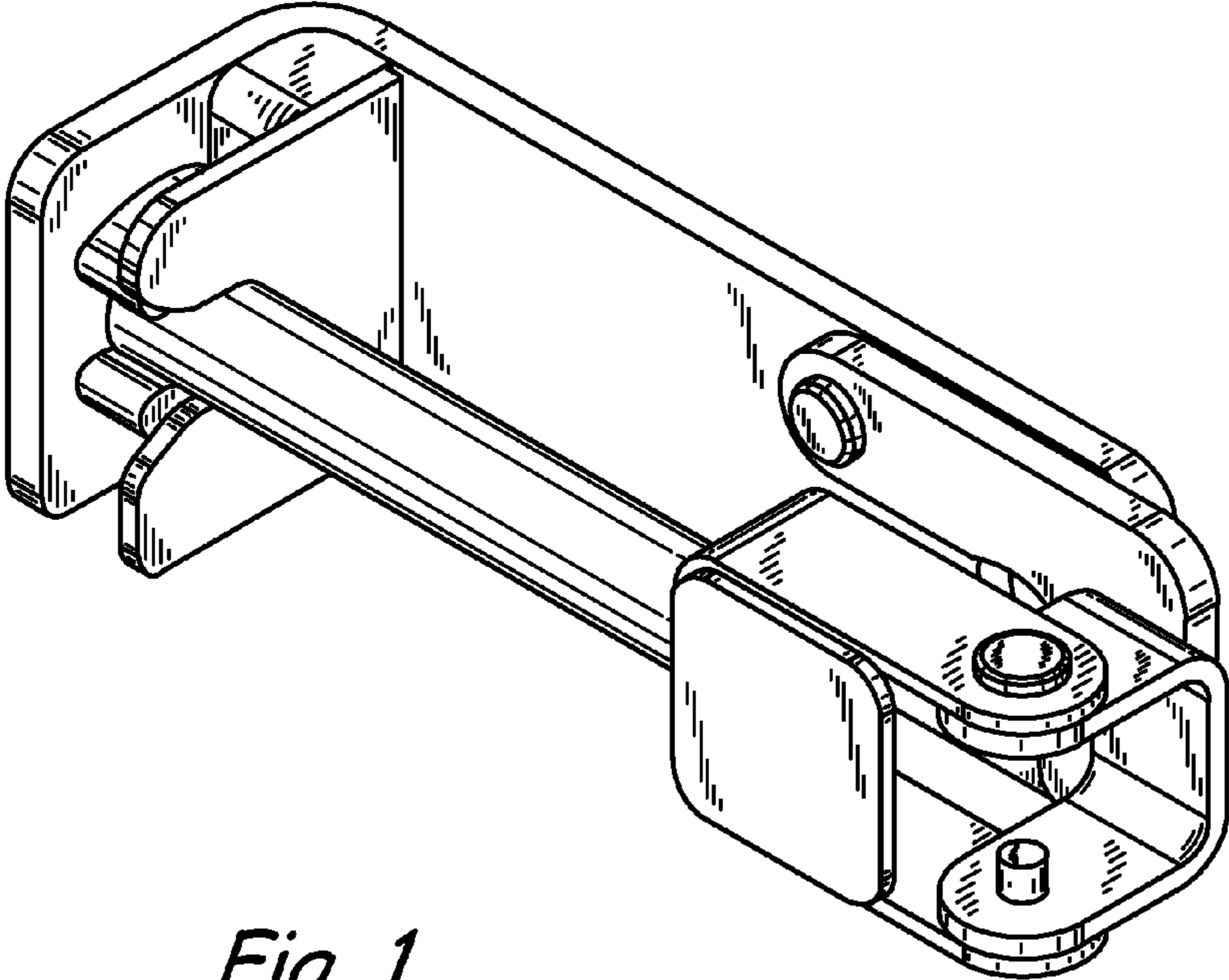
FIG. 9 is a top plan view of FIG. 8;

FIG. 10 is a front elevational view of FIG. 8; and,

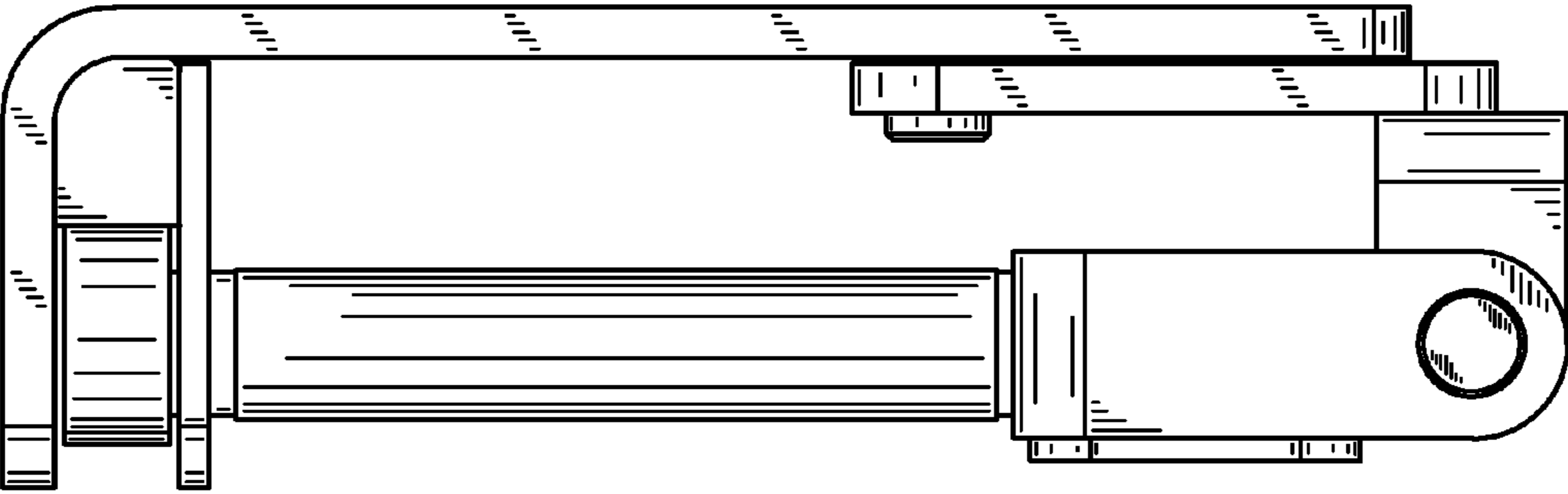
FIG. 11 is a right side elevational view of FIG. 8.

**1 Claim, 5 Drawing Sheets**

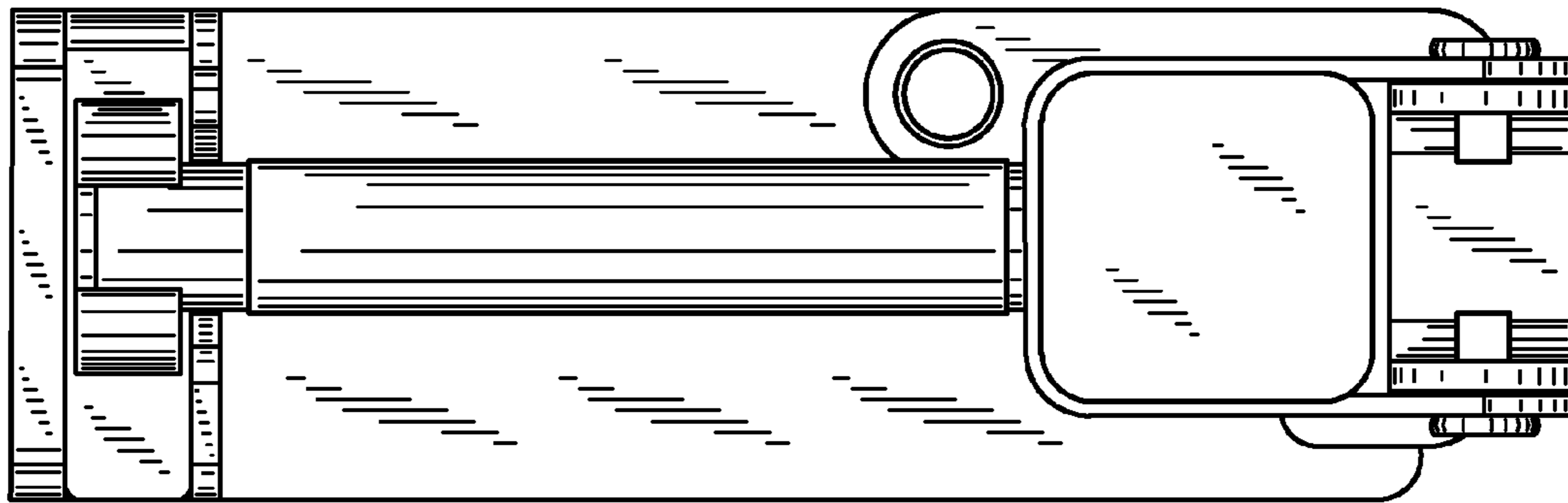




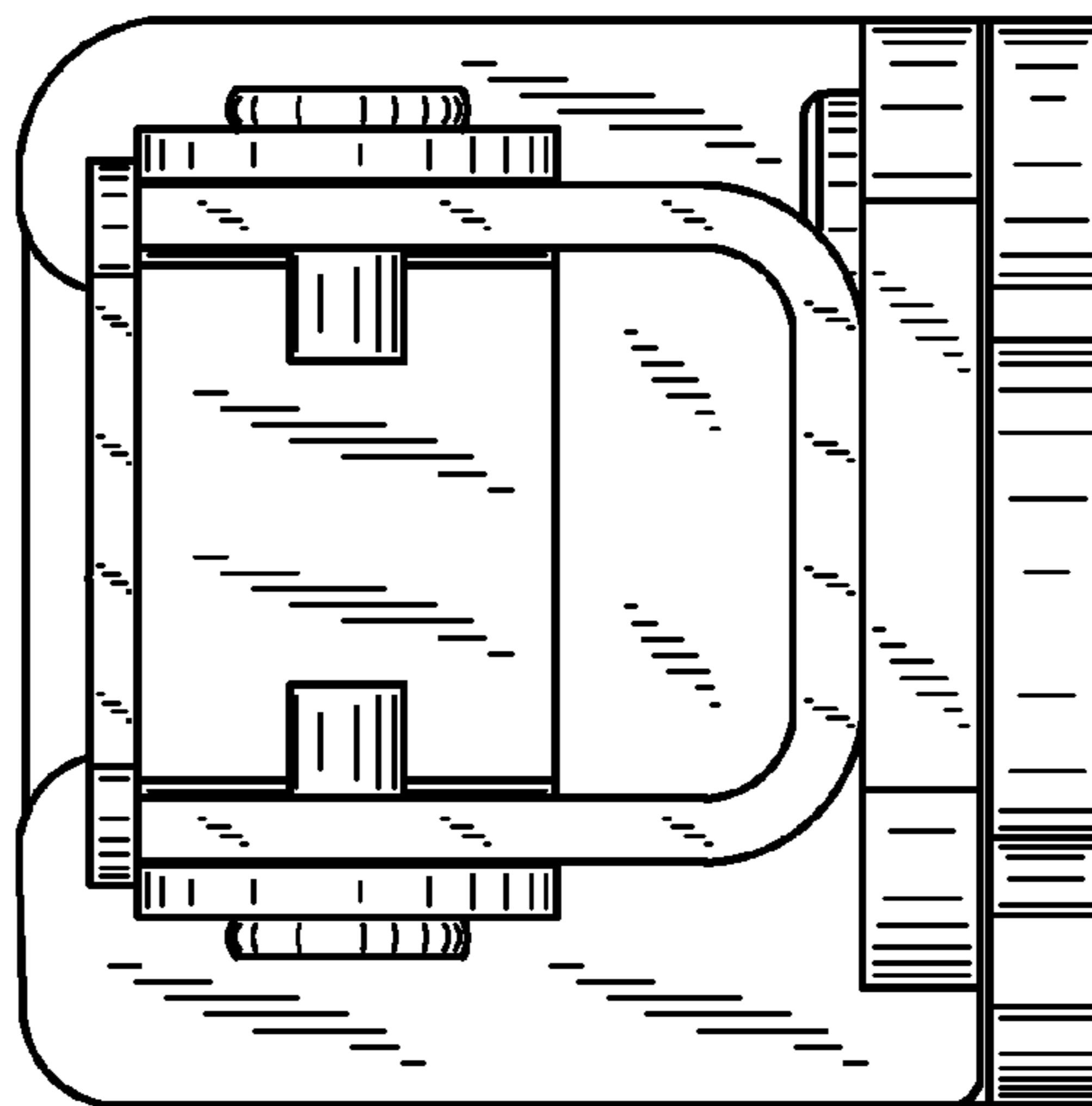
*Fig. 1*



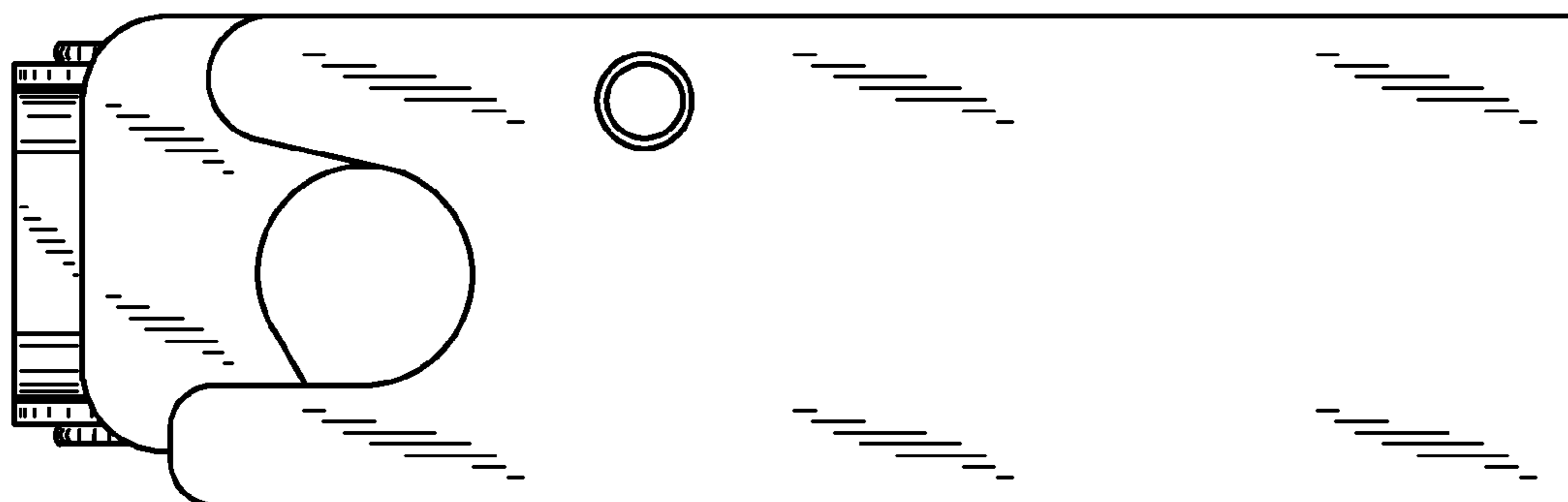
*Fig. 2*



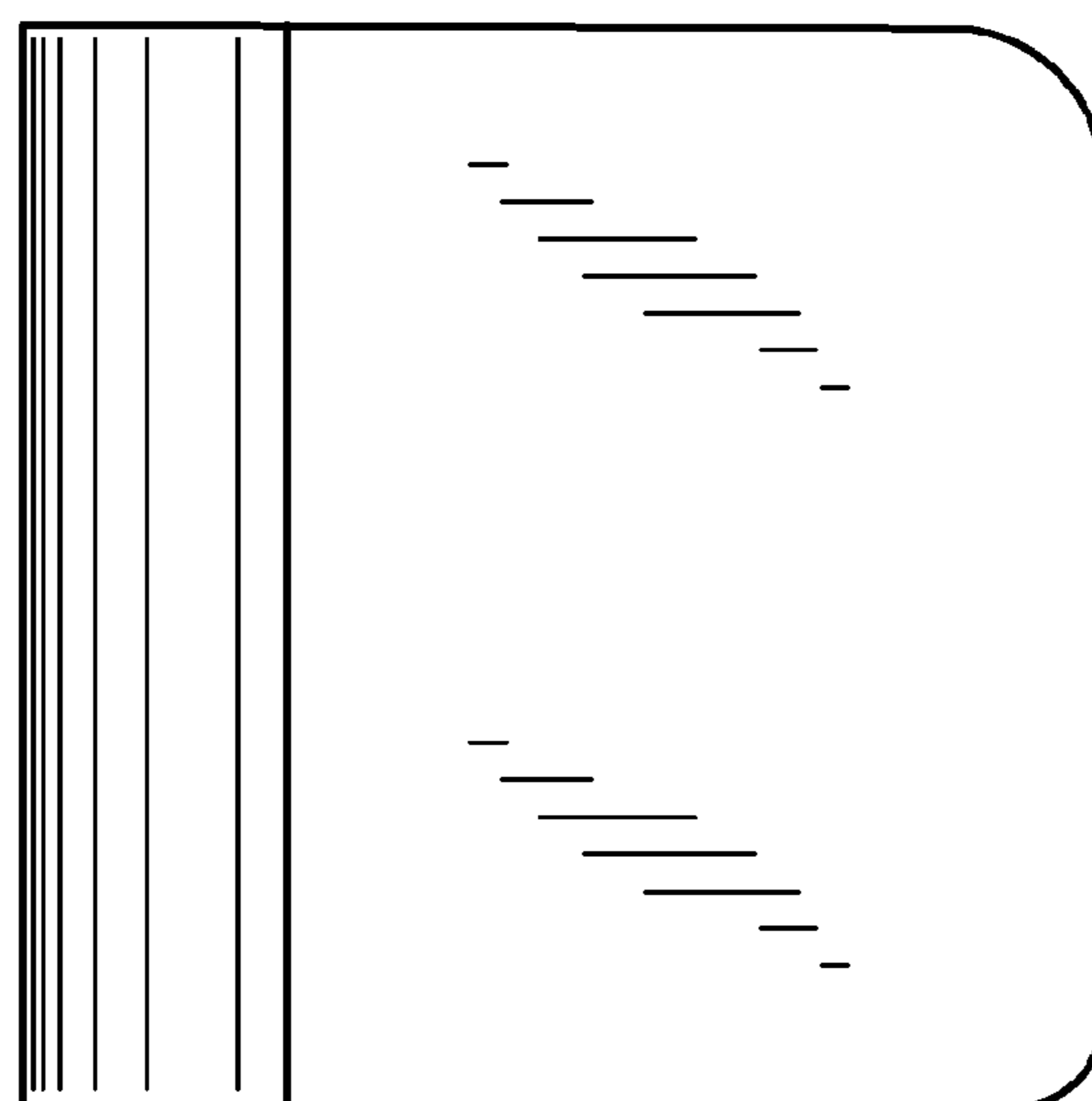
*Fig. 3*



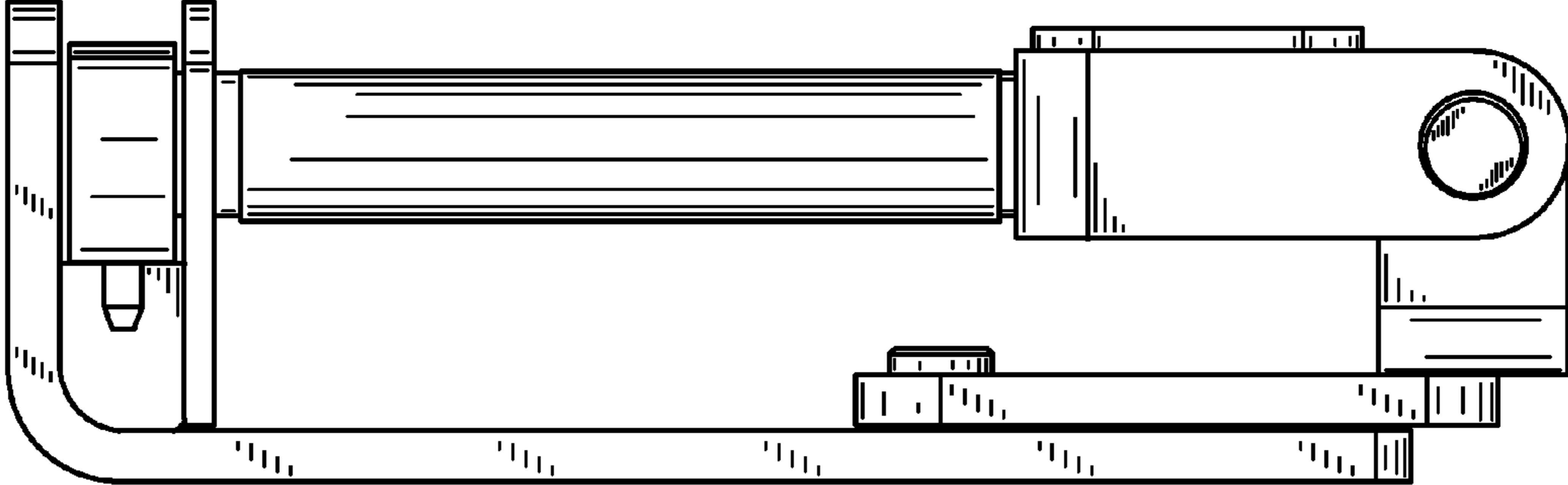
*Fig. 4*



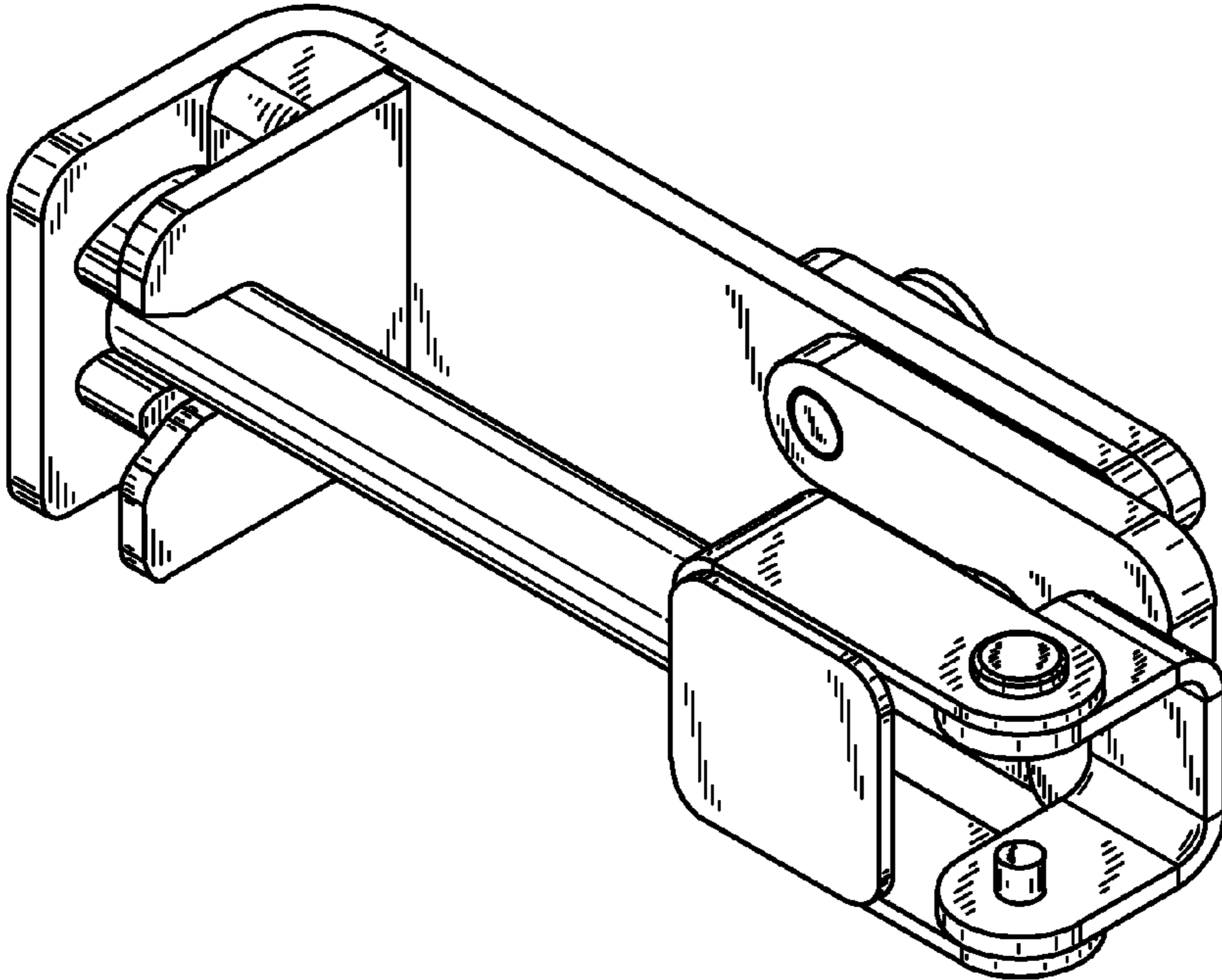
*Fig. 5*



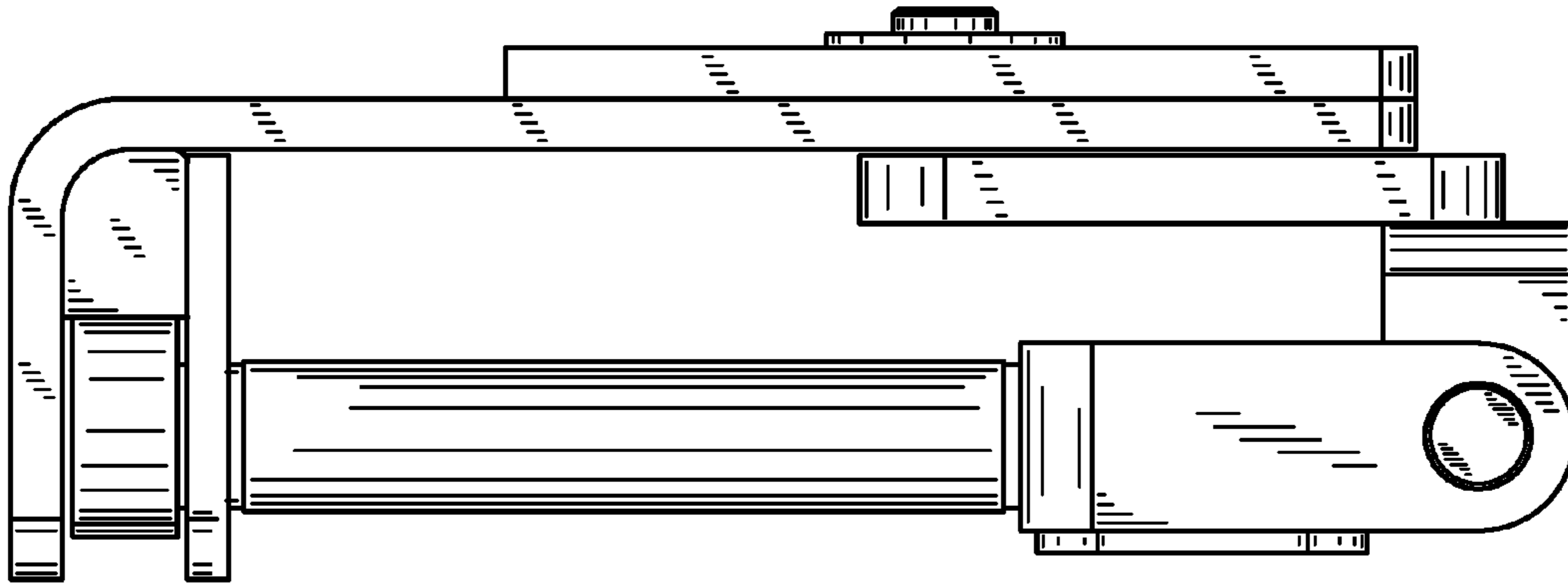
*Fig. 6*



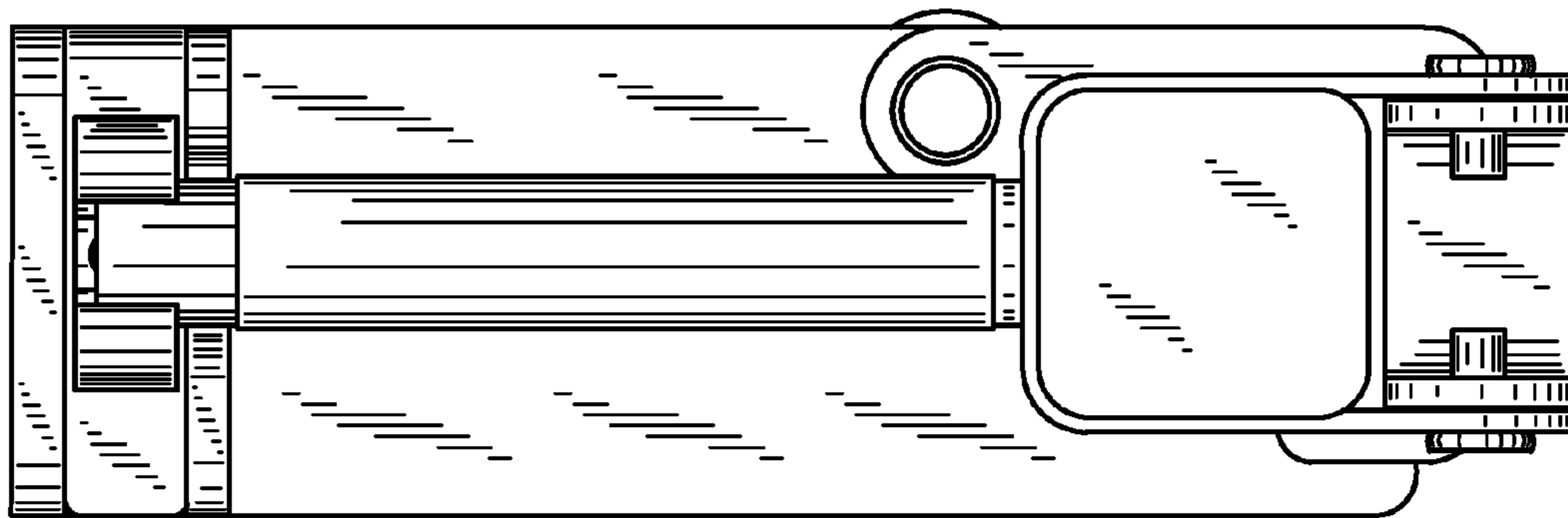
*Fig. 7*



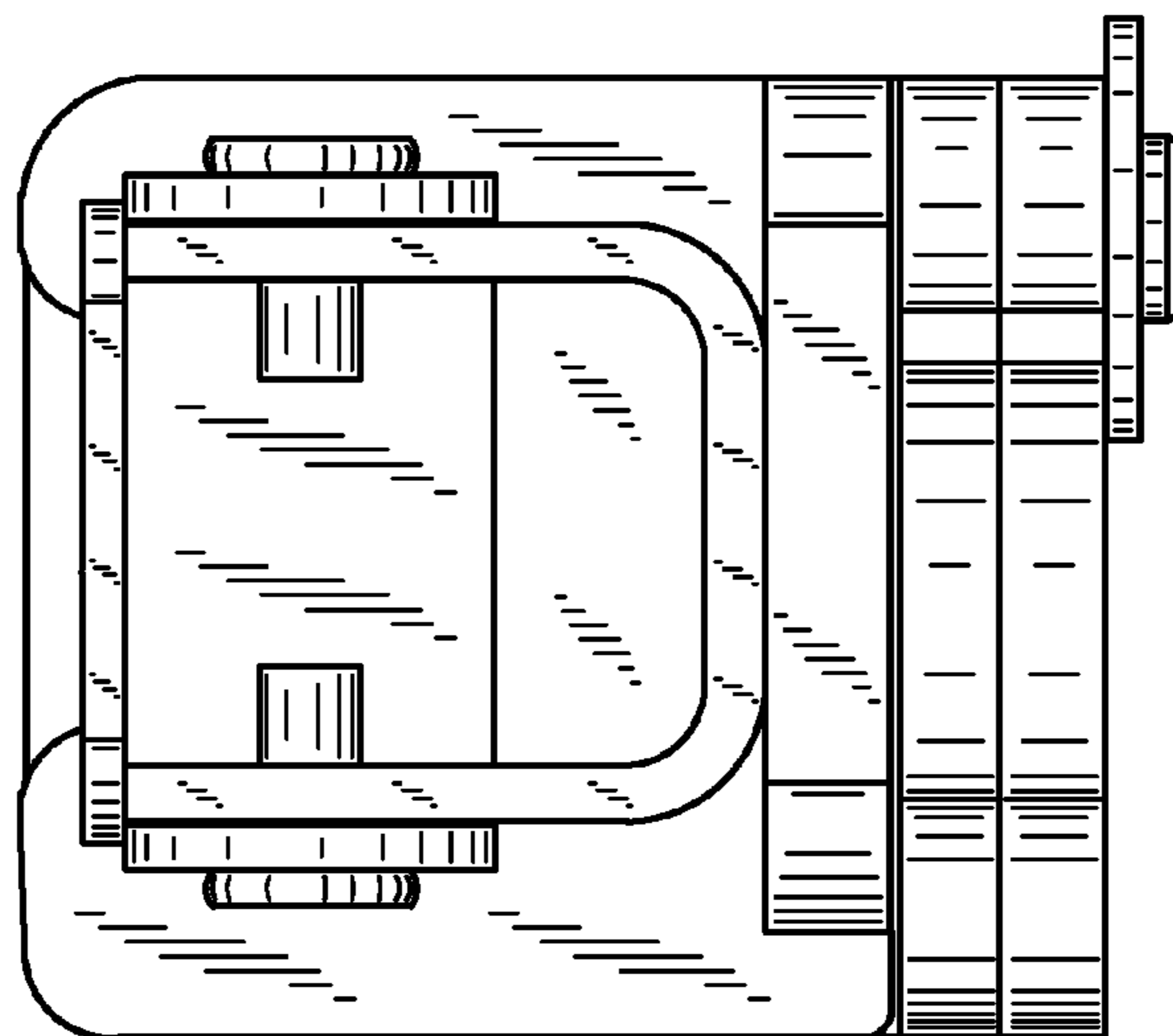
*Fig. 8*



*Fig. 9*



*Fig. 10*



*Fig. 11*